

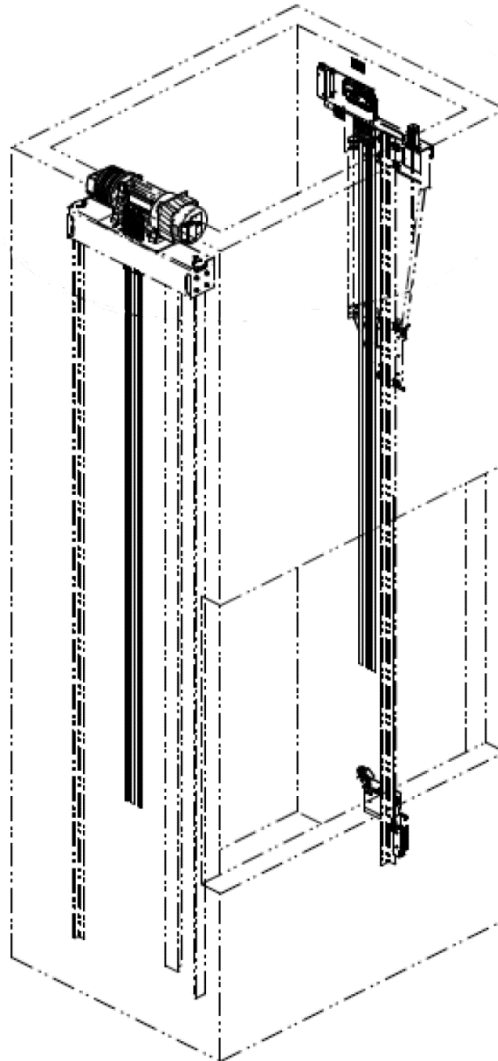
# Belts and Terminations for GeN2 Underslung

**Spare Parts Leaflet**

**17-AAA29514B**

**July 10, 2013 / Page 1 of 3**

**W/O  
VINTAGE**



Unpublished Work—© Otis Elevator Co.; 2013

# OTIS

**Safety First!**

**SERVICE ENGINEERING**  
**Otis Elevator Company**  
**Bloomfield, Connecticut USA**

**Leaflet Description**

This leaflet identifies the hoisting materials used in the Gen2 underslung product line. The belts used in this system are both the 43kN and 64kN arrangements. The 2100, 2500, 3000, and 3500 duty elevators utilize the 43kN belt. The 4000, 4500, and 5000 duty elevators employ the 64kN belts.

**Leaflet Revisions**

<b>Date Revised</b>	<b>Subject Matter Expert</b>	<b>Reason for Revision</b>
July 10, 2013	Gary Mendrala	New SPL

**Related Drawings**

<b>Drawing No.</b>	<b>Title</b>	<b>Drawing No.</b>	<b>Title</b>
AAA29514B	Belts and Terminations	AAA20650Y	43kN Terminations
AAA717AJ	43kN Belts	AAA70650S	64kN Terminations
AAA717AD	64kN Belts		

**Related Documents**

<b>Document ID</b>	<b>Title</b>
11-AAA712P	Ropes, Shackles and Springs
11-AAA20650Y	43kN ANSI Belt Terminations
11-AAA20650S	64kN Belt Terminations

**Subject Matter Expert**

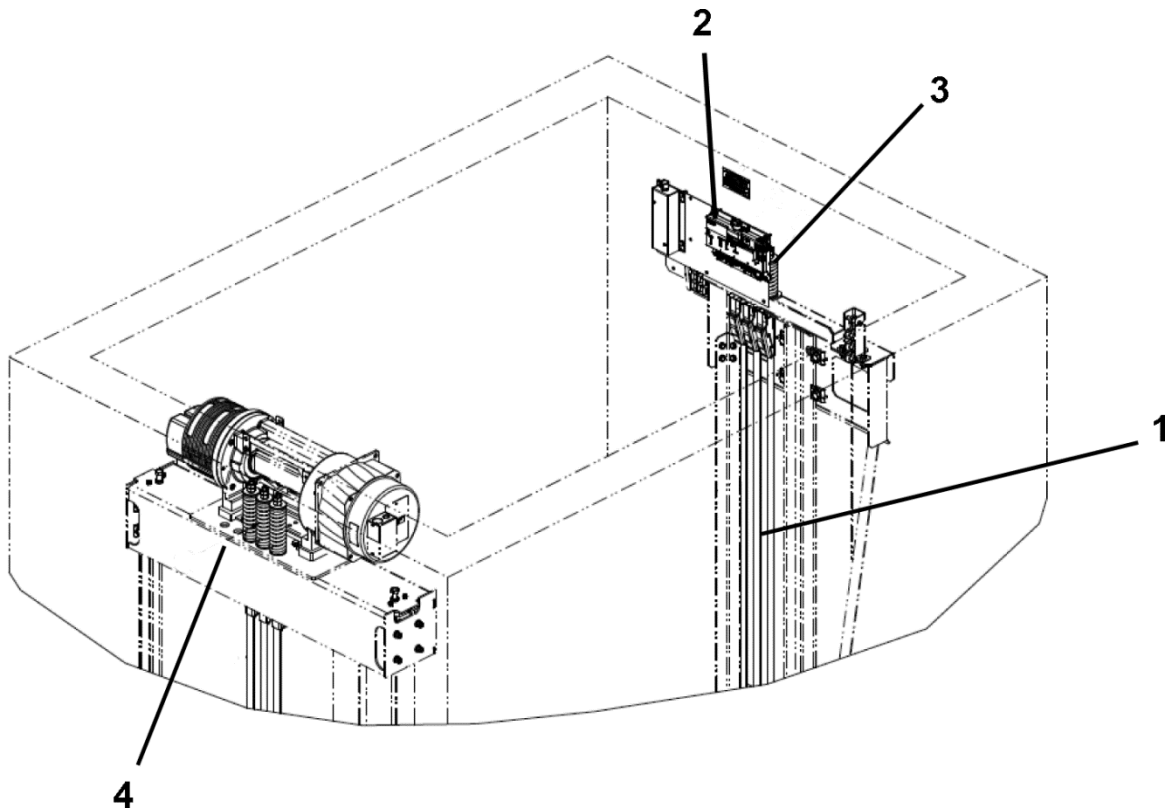
<b>Name</b>	<b>Department</b>
Gary Mendrala	Service Engineering

**About Spare Parts Leaflets...**

This document lists the lowest replaceable units (LRUs) for the standard version of the product. The LRUs are chosen by a team of Otis associates representing engineering and manufacturing.

While goal of this document is to make parts identification as easy as possible, the document cannot be all-inclusive. Elevator and escalator contracts classified as "special" or "custom" are not addressed here. For such contracts, please refer to specified information, the contract folder, TIPs, Field Education Articles, Construction Letters, etc. for further information.

If you have any suggestions about this document, please contact the subject matter expert listed on this page.



W/O VINTAGE		
REF. No.	PART No.	DESCRIPTION
1	AAA717AJ2	Belt, 43kN (👁️ SPL 11-AAA712P/Q)
	AAA717AD1	Belt, 64kN (👁️ SPL 11-AAA712P/Q)
2	---	Pulse, 43kN, Type AAA21700AG (👁️ SPL 10-AAA21700AG)
	---	Pulse, 64kN, Type AAA21700X (👁️ SPL 10-AAA21700X)
3	AAA20650Y11	Termination, Car, 43kN ANSI (👁️ SPL 11-AAA20650Y)
	AAA20650S7	Termination, Car, 64kN (👁️ SPL 11-AAA20650S)
4	AAA20650Y12	Termination, Counterweight, 43kN ANSI (👁️ SPL 11-AAA20650Y)
	AAA20650S8	Termination, Counterweight, 64kN (👁️ SPL 11-AAA20650S)