

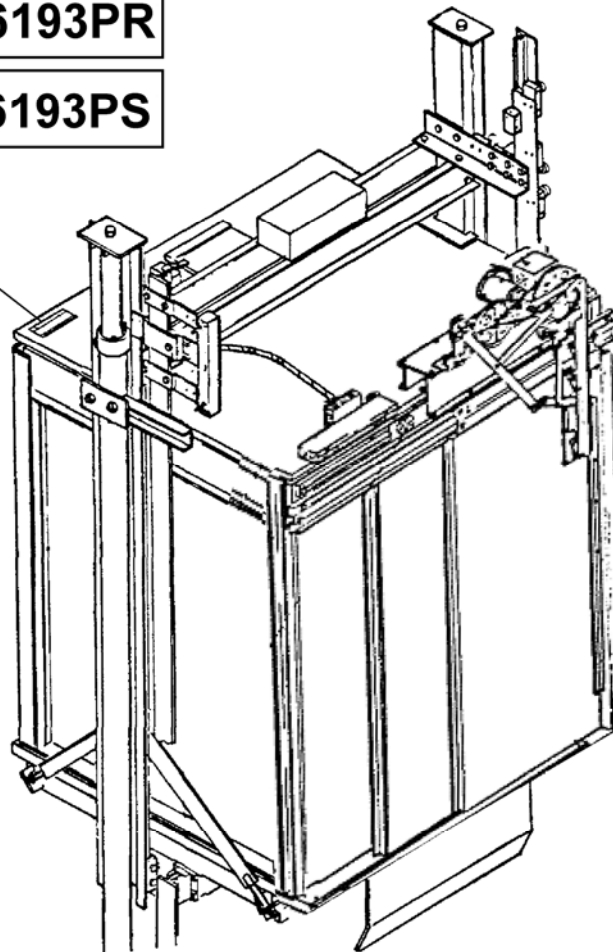
Cab Assembly:  
LHM/LHML H-1 Cab  
with C/O, S/S or 2/S  
Opening

Spare Parts Leaflet  
17-AAA6193PR

September 15, 2009 / Page 1 of 11

17 R-AAA6193PR

17 R-AAA6193PS



Unpublished Work—© Otis Elevator Co.; 2009

**OTIS**

Safety First!

SERVICE ENGINEERING  
Otis Elevator Company  
Bloomfield, Connecticut USA

## Leaflet Description

This leaflet provides spare parts information for AAA6193PR and AAA6193PS H-1 cab assemblies for LHM and LHML systems.

## Leaflet Revisions

Date Revised	Subject Matter Expert	Reason for Revision
December 20, 2004	Lisa Mitchell	New SPL
November 5, 2008	Troy Chicoine	AAA24720T1 was replaced by AAA24720T9 in ref. 2 on page 6.
September 15, 2009	Troy Chicoine	Added DC-22 decorative ceiling.

## Related Drawings

Drawing No.	Title	Drawing No.	Title
AAA6193PR	LHM/LHML H-1 Cab Arr. S/S	AAA6193PV	S/S and C/O Ceiling Assembly
AAA6193PS	LHM/LHML H-1 Cab Arr. 2/S	AAA6193PT	2/S Ceiling Assembly

## Related Documents

Document ID	Title
12-A7003AV	Inductor Switch Assembly
14-6261P	3-3/4 in. Roller Guides Types 6261A and 6261P
14-AAA24179A	Guide Shoe Assembly
14-AAA24000M	Carframe & Platform (2000 – 5000 lb. Duty)
14-AAA24000N	Carframe & Platform
17-AAA25500Q	Top-of-Car Junction Box w/ Magnet Switches
20-AAA24591B	Door Detector, Lambda II, Emitter, Detector, & Controller Assemblies
23-AAA7782AT	Harmonic Drive QL Operator

**(Continued on next page)**

## Subject Matter Expert

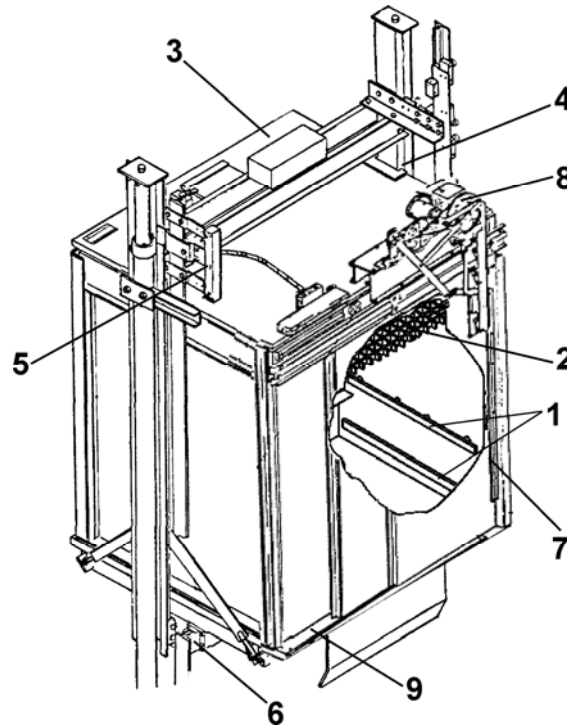
Name	Department
Troy Chicoine	OSC Service Engineering

## About Spare Parts Leaflets...

This document lists the lowest replaceable units (LRUs) for the standard version of the product. The LRUs are chosen by a team of Otis associates representing engineering and manufacturing.

While goal of this document is to make parts identification as easy as possible, the document cannot be all-inclusive. Elevator and escalator contracts classified as "special" or "custom" are not addressed here. For such contracts, please refer to specified information, the contract folder, TIPS, Field Education Articles, Construction Letters, etc. for further information.

If you have any suggestions about this document, please contact the subject matter expert listed on this page.



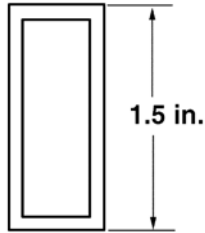
REF. No.	PAGE No.	DESCRIPTION
1	5-6	Handrails & Standoffs
2	7	Decorative Ceiling, Panels & Grilles
3	8-9	Ceilings & Lighting & Emergency Lighting Fixtures
4	10	Cab Steadier
5	---	👁️ SPL 12-A7003AV, Inductor Switch Assembly (LHML)
	---	👁️ SPL 17-AAA25500Q, TOC Junction Box (LHM)
6	---	👁️ SPL 14-6261P, 3-3/4 inch Roller Guides
	---	👁️ SPL 14-AAA24179A, Guide Shoe Assembly
7	---	👁️ SPL 20-AAA24591B, Door Detector, Lambda II
8	---	👁️ SPL 23-AAA7782AT, QL Door Operator
9	---	👁️ SPL 14-AAA24000N, Carframe and Platform (LHML)
	---	👁️ SPL 14-AAA24000M, Carframe and Platform (LHM)
*	11	Stop Block, Pads, and Pad Hooks

\* Not shown.

# DH-50 Handrail

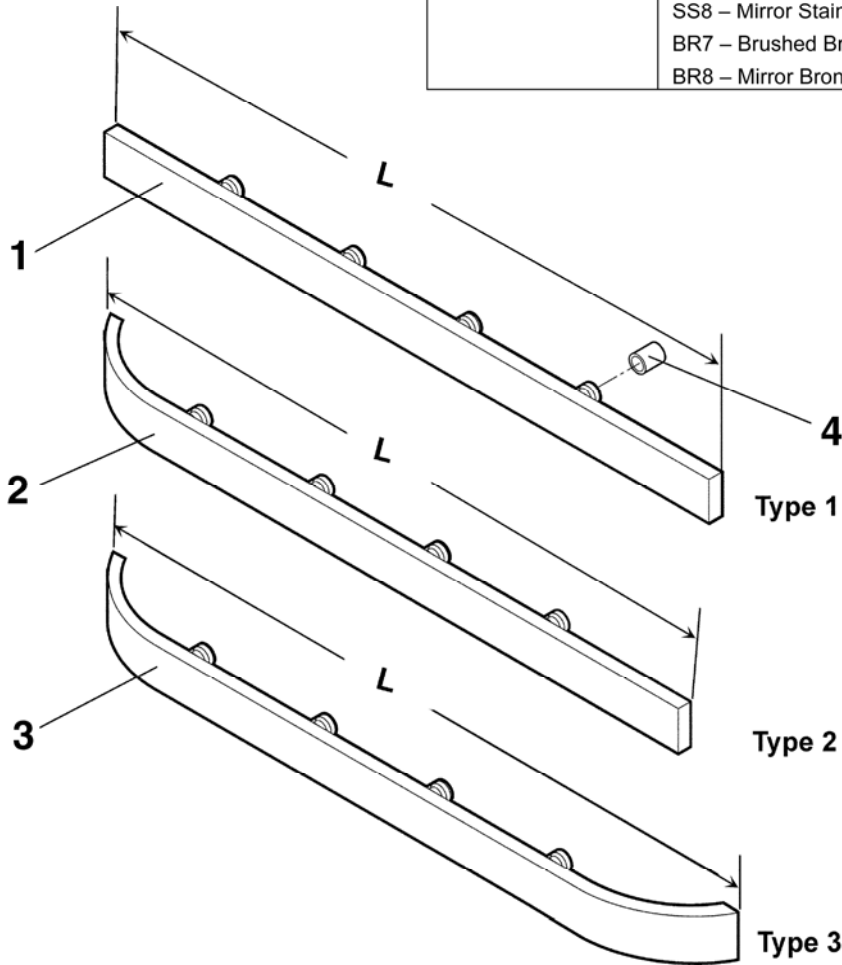
17-AAA6193PR



Please contact OSC with the following information when ordering handrails.



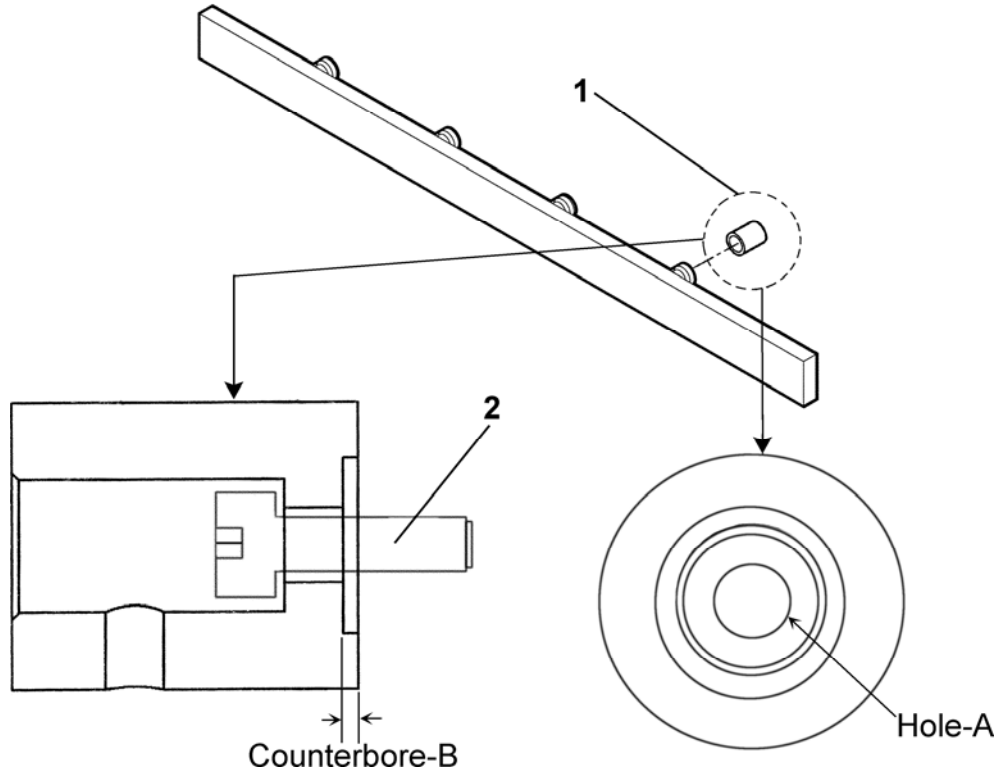
Hollow Construction

Feature	Selection
Length, L	(specify in inches or mm)
Handrail Type	1, 2 or 3 (see illustration)
Handrail Location	Side or Rear
Elevator Duty	2100 lb., 2500 lb., etc.
Number of Standoffs	2-5
Handrail Finish	MF4 – Brushed Stainless Steel SS8 – Mirror Stainless Steel BR7 – Brushed Bronze BR8 – Mirror Bronze



REF. No.	W/O VINTAGE PART No.	DESCRIPTION	
1	---	Handrail, Type AAA139BH (both ends straight)	 <b>NOTE</b>
2	---	Handrail, Type AAA139BH (one end curved, the other straight)	
3	---	Handrail, Type AAA139BH (both ends curved)	
4	---	Standoff, Type 322T,  Detail on Page 6	

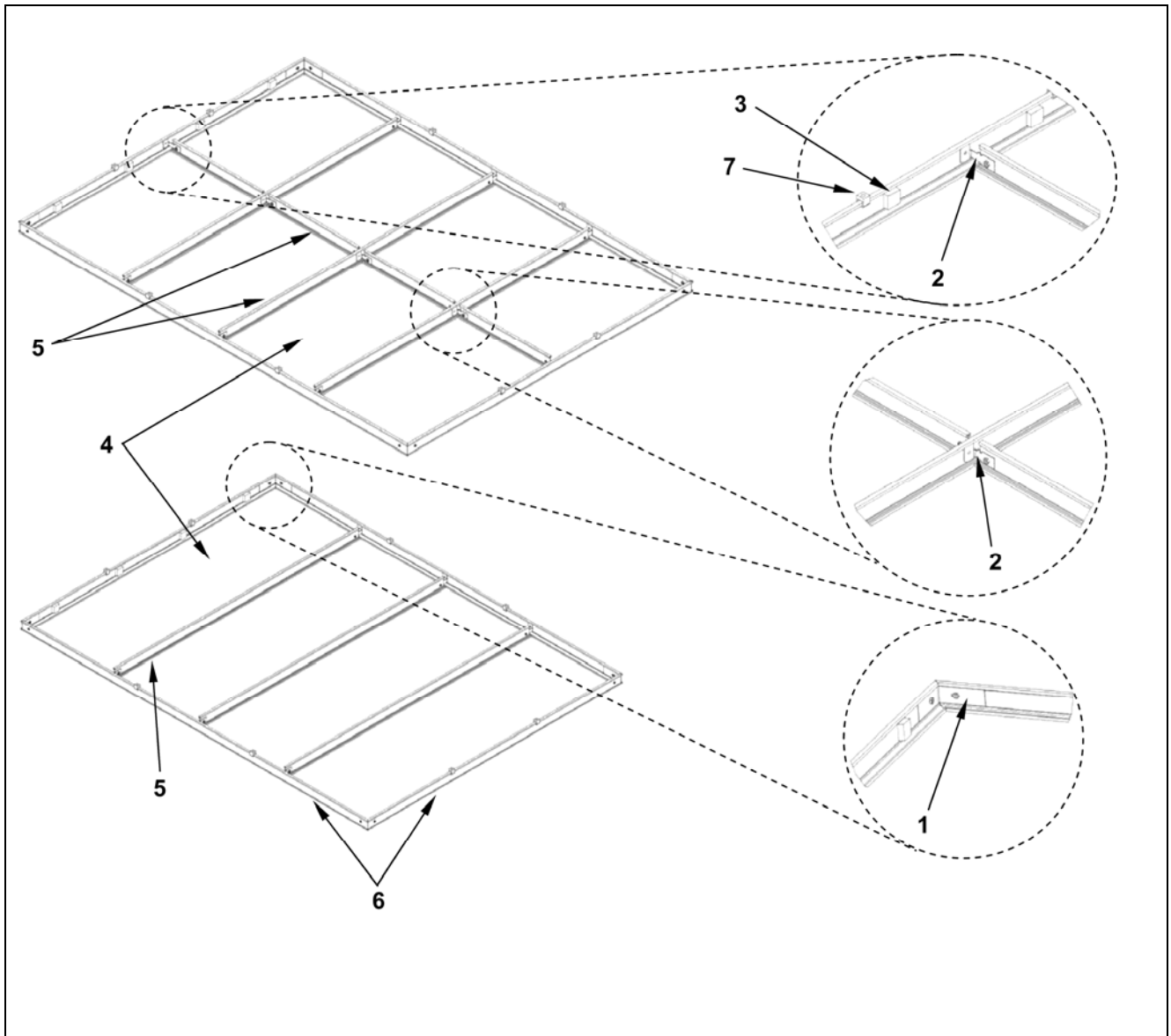
**NOTE:** Type AAA139BH handrails come in three different end configurations, four material finishes and various finished lengths. To order, contact OSC Customer Service with the information indicated in the table above, based on specific job conditions.




REF. No.	W/O VINTAGE		Hole-A (in.)	Counter Bore-B	MATERIAL
	PART No.	DESCRIPTION			
1	322T3	Standoff	5/16-18 UNC	without	Stainless Steel
	322T4		0.33	with	
	322T5			5/16-18 UNC	without
	322T8				
2	ISO4762M8x3 5-8.8B	Screw, M8x35 Hex Socket Head Cap			

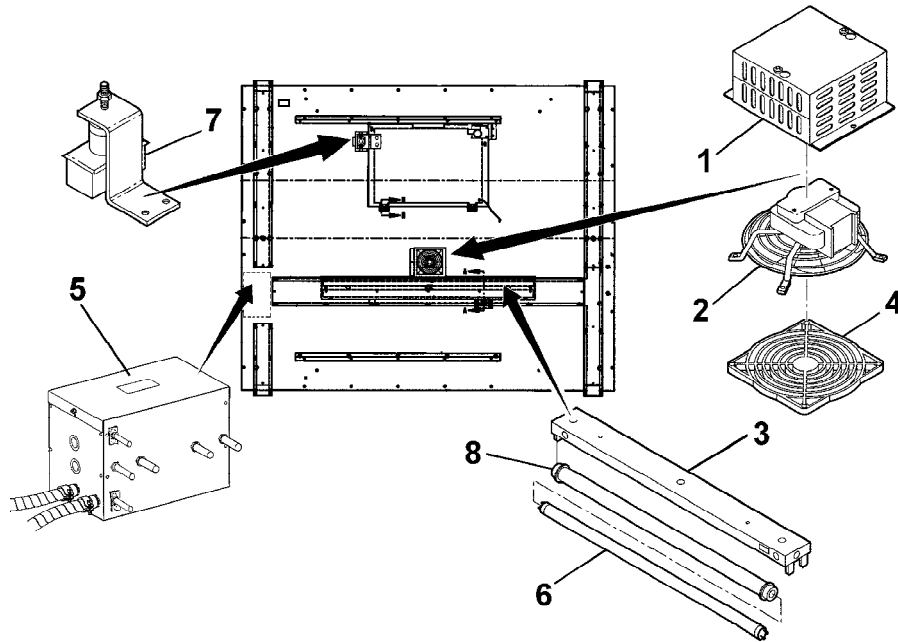
# DC-22 Decorative Ceiling


17-AAA6193PR



W/O VINTAGE &  
VINTAGE Y 01

REF. No.	PART No.	DESCRIPTION
1	283WV1	Bracket, Corner
2	283WW1	Bracket, Side
3	320CE3	Bumper
4	---	Grille / Louver Panel,  SPL 17-A49BM
5	50AKS-144	Shape, Center Support, Aluminum, 144 in. Long (cut to suit in field)
6	50AKR-144	Shape, Side Frame, Aluminum, 144 in. Long (cut to suit in field)
7	338AP1	Slip Nut



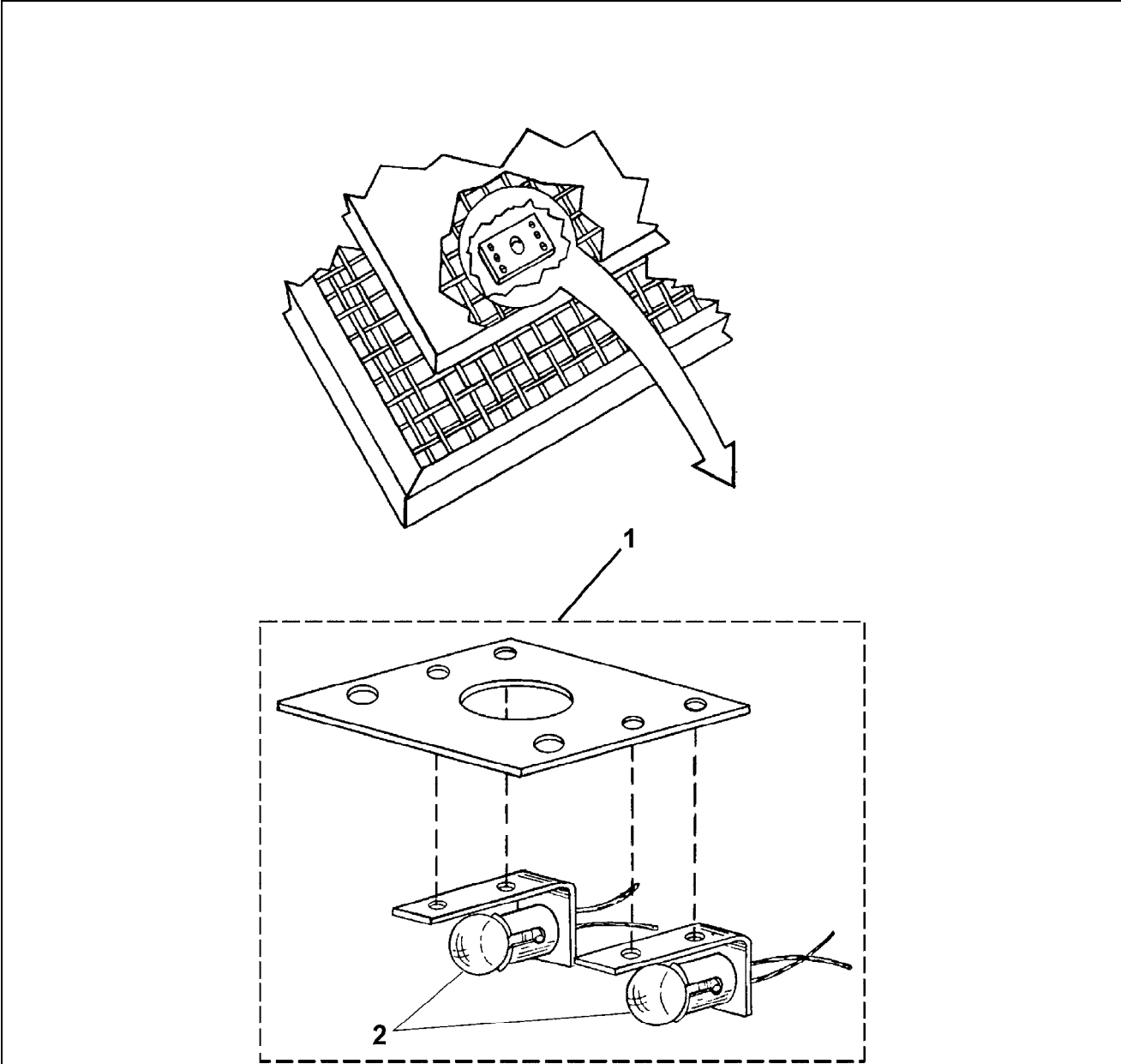
REF. No.	W/O VINTAGE PART No.	DESCRIPTION
1	AAA308RJ1	Cover, Fan
2	AAA24720A3 AAA24720T1 AAA24720T9	Fan
3	417CB2	Fixture, Light
4	AAA384XK2	Grille
5	---	Junction Box, Top-of-Car,  SPL 17-AAA25500Q
6	424E17	Lamp, 48 in. L
7	AAA6098NS1	Switch, Exit
*	AAA297BA2	Tape, Safety (for marking refuge space)
8	137BA5	Tube

\* Not shown.

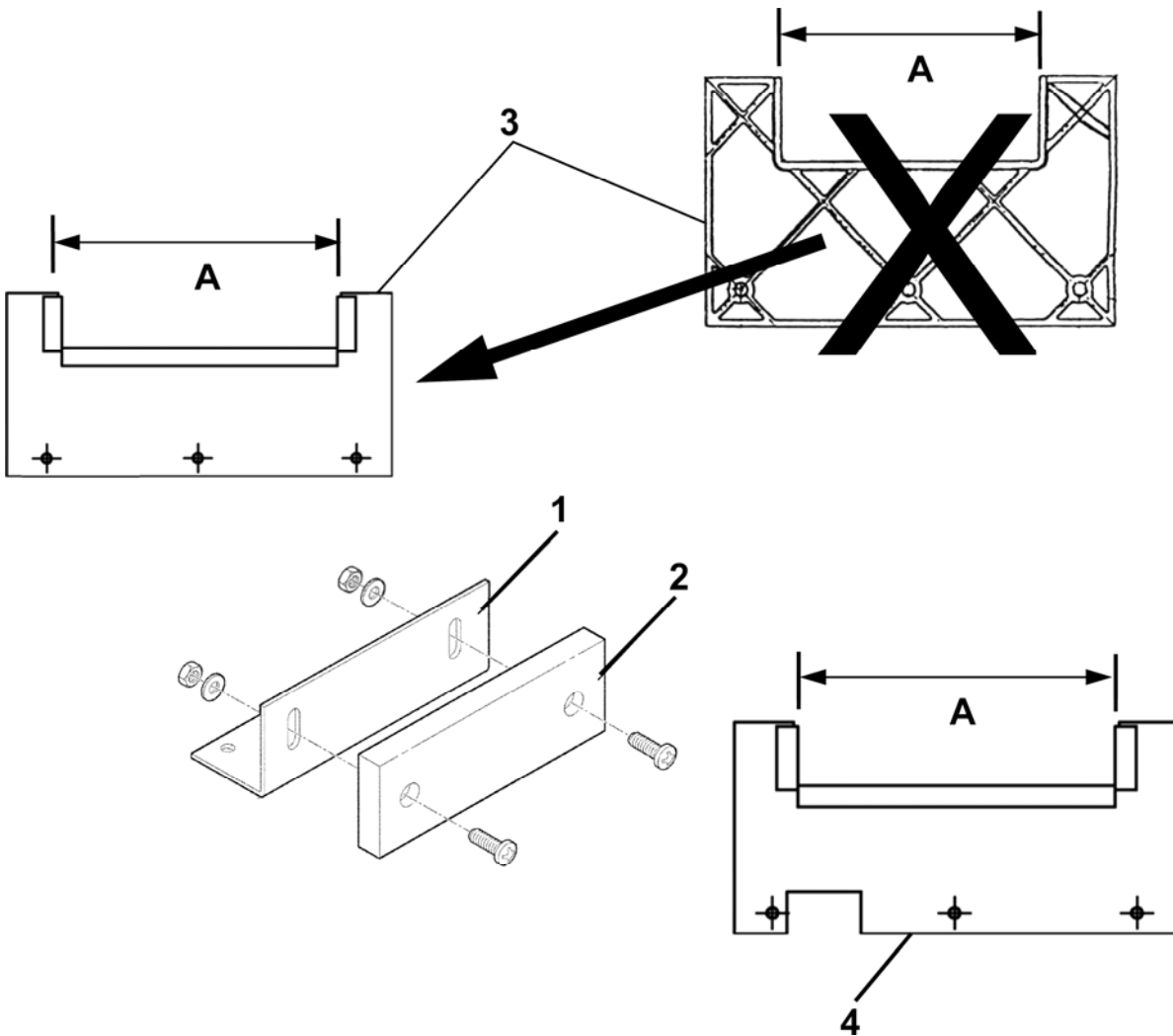


# Type 417BN Emergency Light Fixture

17-AAA6193PR



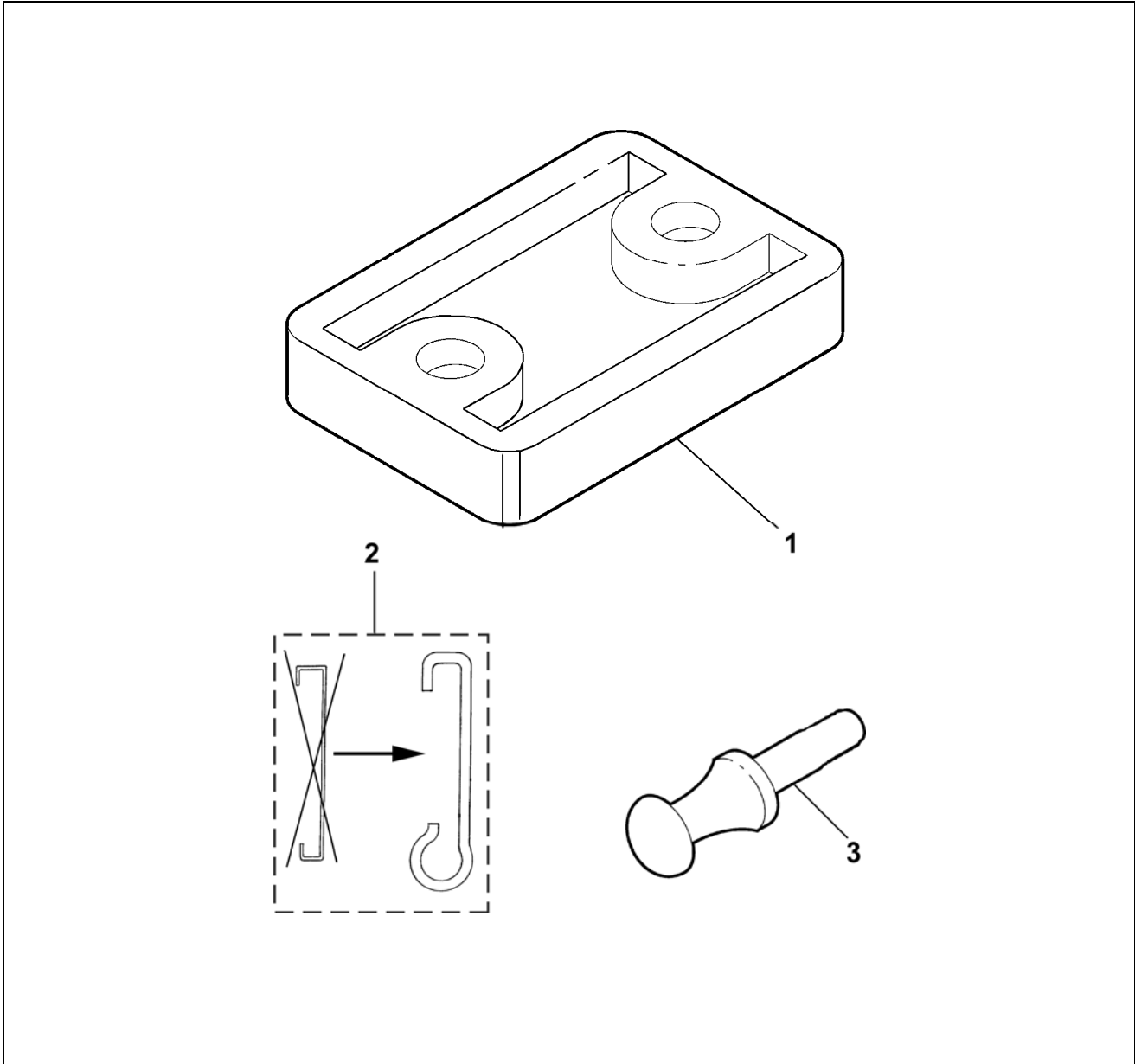
REF. No.	PART No.	DESCRIPTION
1	417BN1	Fixture, Emergency Light
2	424D3	Lamp, Bayonet, 12 VDC



REF. No.	W/O VINTAGE PART No.	DESCRIPTION
1	AAA283ALF1	Angle, Steadier
2	320J4	Pad, Bumper
3	AAA316FPS1	Steadier, Cab, Plastic, A = 5.6 in.
	A316DPE4	Steadier, Cab, Steel w/ Pad, A = 5.8 in.
4	316DTT2	Steadier, Cab, Steel w/ Pad, A = 7.7 in.

# Stop Block, Pads & Pad Hooks

17-AAA6193PR



REF. No.	W/O VINTAGE PART No.	DESCRIPTION
1	310KK2	Block, Stop (for back of cab panels)
2	<del>347TL5</del> 347TL7	Hook, Pad
3	509A3	Hook, Protective Pad (comes with appropriate speed nut, not shown)
*	---	Pad, Protective, Type 6193NL
	---	Pad, Protective, Type 384WT

**NOTE**

**NOTE:** Specify per contract based on site variations. Refer to drawings 6193NL & 384WT.