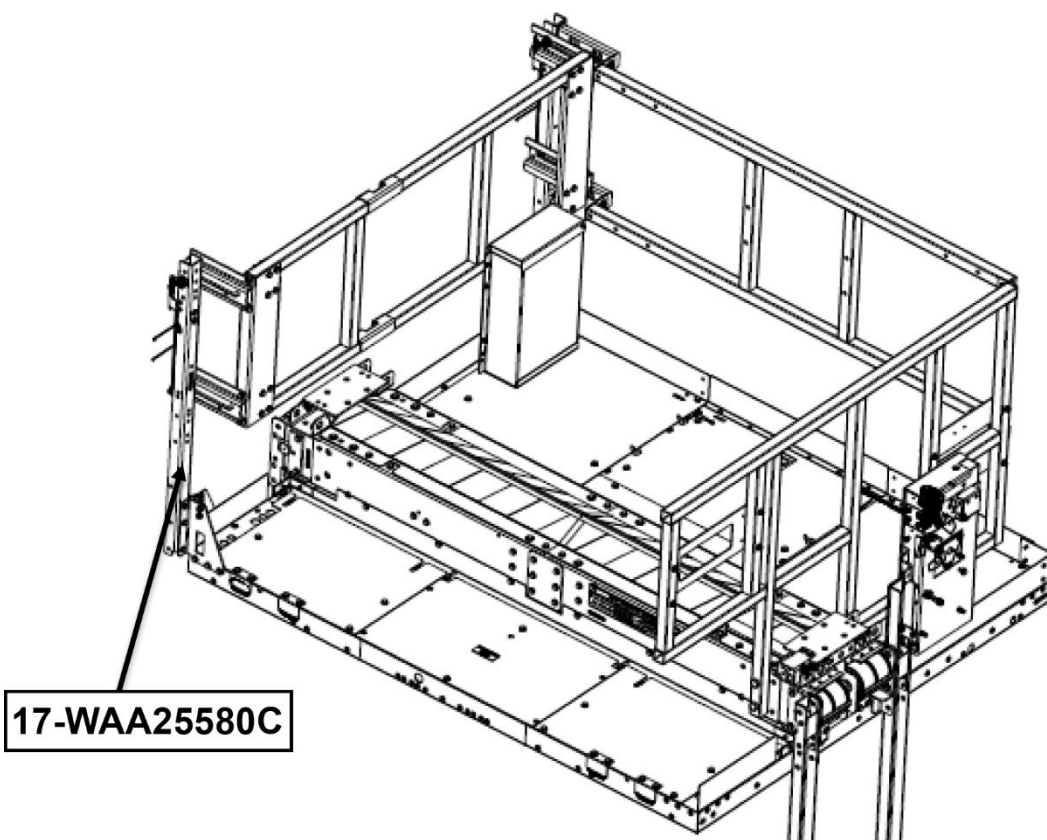


**Gen3 Core
(2100-3500 lb. Duties)
Top-of-Car Handrail**

**Spare Parts Leaflet
17-WAA25580C
March 20, 2024 / Page 1 of 3**



This document does not contain any technical data subject to EAR or ITAR

**SERVICE ENGINEERING
Otis Elevator Company
Bloomfield, Connecticut USA**

Unpublished Work—© Otis Elevator Co.; 2024

Leaflet Description

This leaflet covers the top-of-car handrail parts used on the Gen3 Core Phase I 2100-3500 lb duties.

Leaflet Revisions

Date Revised	Subject Matter Expert	Reason for Revision
March 25, 2022	Yuancheng You	New SPL
February 2, 2023	Yuancheng You	Updated page 3, Ref. 3 and 4 content.
March 20, 2024	Richard Blakelock & Juan Murillo	Page 3: Ref. was AAA22800T6; Added ref. 2 & 4; updated images.

Related Drawings

Drawing No.	Title	Drawing No.	Title
WAA25580C	Top Of Car Handrail		
WAA29507A	Handrail Kits		

Related Documents

Document ID	Title
SPL 14-WAA29507A	Gen3 Core Phase1 Car Frame (2100-3500lb. duties)

Subject Matter Expert

Name	Department
Richard Blakelock & Juan Murillo	Engineer SEE-Florence & OSC Service Engineering

About Spare Parts Leaflets...

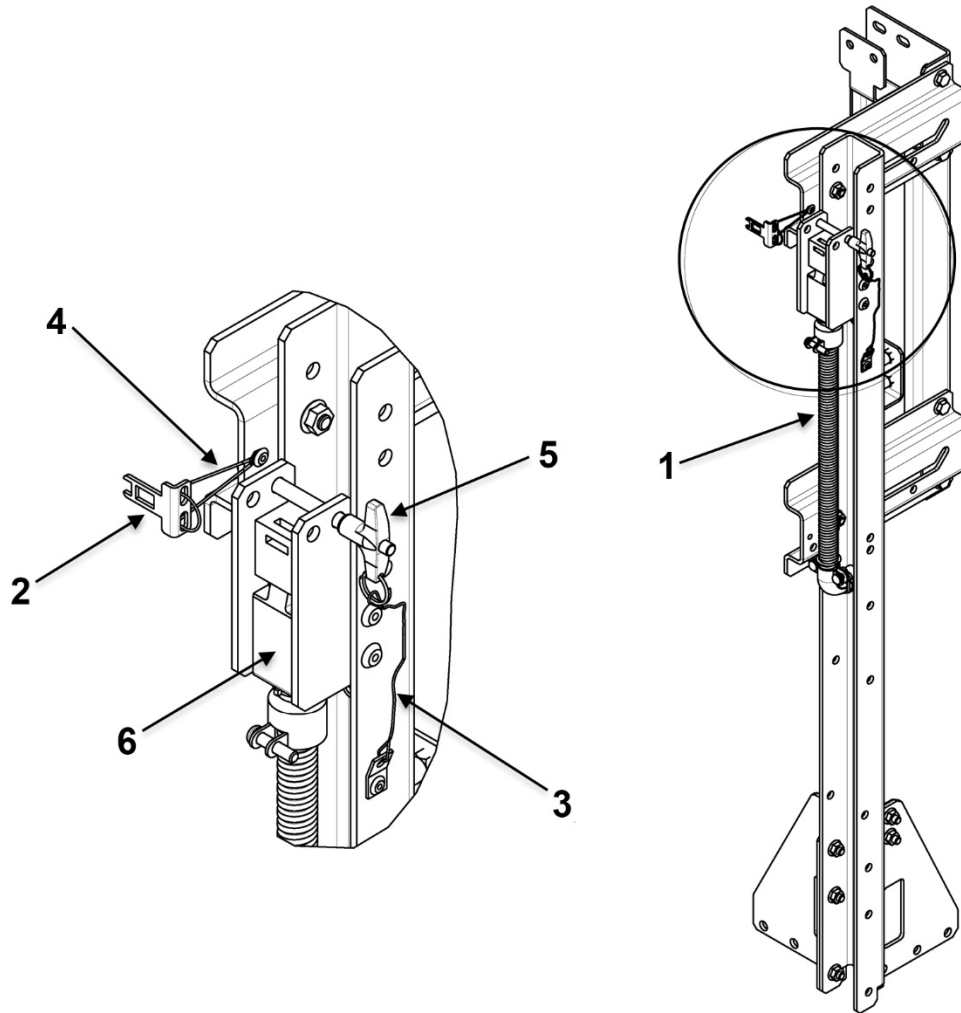
This document lists the lowest replaceable units (LRUs) for the standard version of the product. The LRUs are chosen by a team of Otis associates representing engineering and manufacturing.

While goal of this document is to make parts identification as easy as possible, the document cannot be all-inclusive. Elevator and escalator contracts classified as "special" or "custom" are not addressed here. For such contracts, please refer to specified information, the contract folder, TIPS, Field Education Articles, Construction Letters, etc. for further information.

If you have any suggestions about this document, please contact the subject matter expert listed on this page.

TOC Handrail

17-WAA25580C



WAA25580C		
REF. No.	PART No.	DESCRIPTION
1	AAA21600GV3	Cable, (Labeled "WHRS1" at switch end)
	AAA21600GV5	Cable, (Labeled WHRS2" at switch end)
2	AAA22800T5	Key, Switch
3	AAA712AK3	Lanyard, Cable Rope
4	AAA712AK1	Lanyard, Cable Rope
5	AAA81RL2	Pin, Quick Release
6	AAA22800T11	Switch