

Car Door
(w/Miscellaneous Equipment)

Spare Parts Leaflet

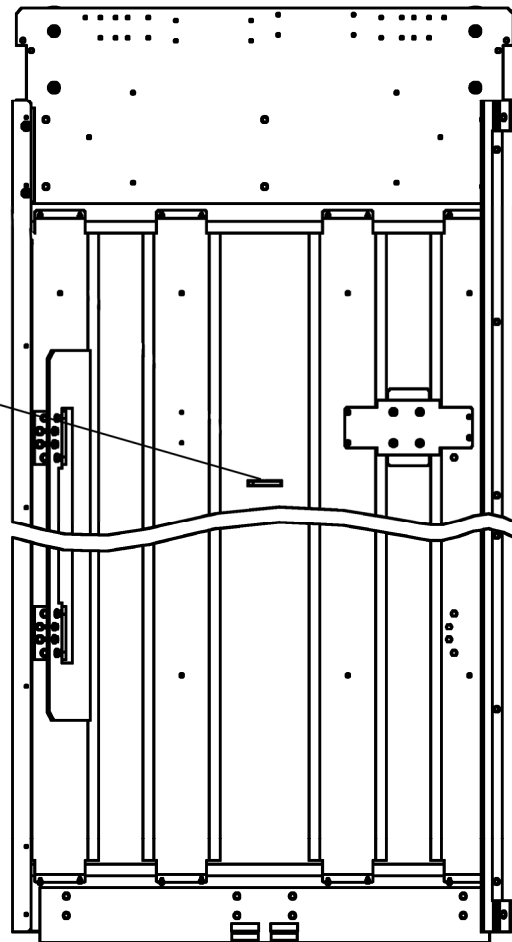
19-AAA24520E

December 12, 2006 / Page 1 of 7

23 H - AAA24520E

23 H - ACA24520E

Single-slide, right hand
door arrangement for
AT400 door operator shown.



OTIS

Safety First!

SERVICE ENGINEERING
Otis Elevator Company
Bloomfield, Connecticut USA

Leaflet Description

This leaflet provides spare parts information for the car door assembly commonly called the “Pan Door.” This door is available on the LVM, LVML, LVMT, and LVME hydraulic systems and the GEM, and MVS Geared systems. This door is not available on Gen2[®]. Shipping began in March of 2003. In late 2006, dwg. ACA24520E was released and production was started. ABA24520E was never in production.

Leaflet Revisions

Date Revised	Subject Matter Expert	Reason for Revision
January 6, 2005	Jeffrey A. Smith	New SPL
October 31, 2006	Diem Tran	Added Vintage ACA information
December 12, 2006	Diem Tran	Changed the component code from 23 to 19.

Related Drawings

Drawing No.	Title	Drawing No.	Title
AAA24520E	Assembly and Arrangement Car Door with Misc. Equipment	AAA24510E	Bracket, Applied Hanger
AAA24179D	Door Guide	ABA24591T	LAMBDA [®] Detector III Assembly

Related Documents

Document ID	Title
SPL 20-AAA24591T	Door Detector, LAMBDA [®] III, Emitter, Detector, and Controller
SPL 25-AAA24479AAA	Door Bottom Guides and Retainers

Subject Matter Expert

Name	Department
Diem Tran	OSC Service Engineering

About Spare Parts Leaflets...

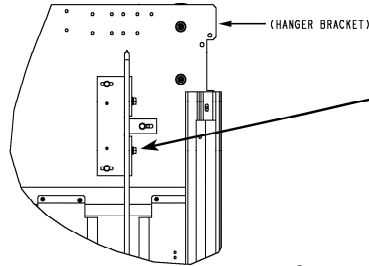
This document lists the lowest replaceable units (LRUs) for the standard version of the product. The LRUs are chosen by a team of Otis associates representing engineering and manufacturing.

While goal of this document is to make parts identification as easy as possible, the document cannot be all-inclusive. Elevator and escalator contracts classified as “special” or “custom” are not addressed here. For such contracts, please refer to specified information, the contract folder, TIPS, Field Education Articles, Construction Letters, etc. for further information.

If you have any suggestions about this document, please contact the subject matter expert listed on this page.

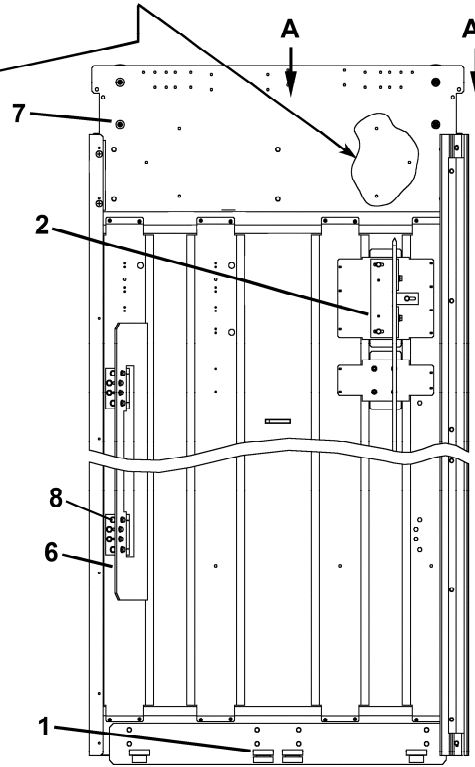
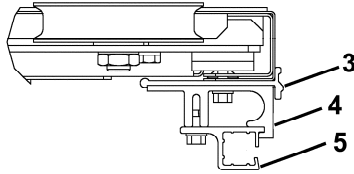
Single-Slide & Center-Opening Doors

19-AAA24520E



NOTE: On single-slide door with i-Motion® II door operator, vane mounts to hanger bracket (except if entrance = 84" H & cab = 115" H).

Section A-A LAMBDA® 3D Detector

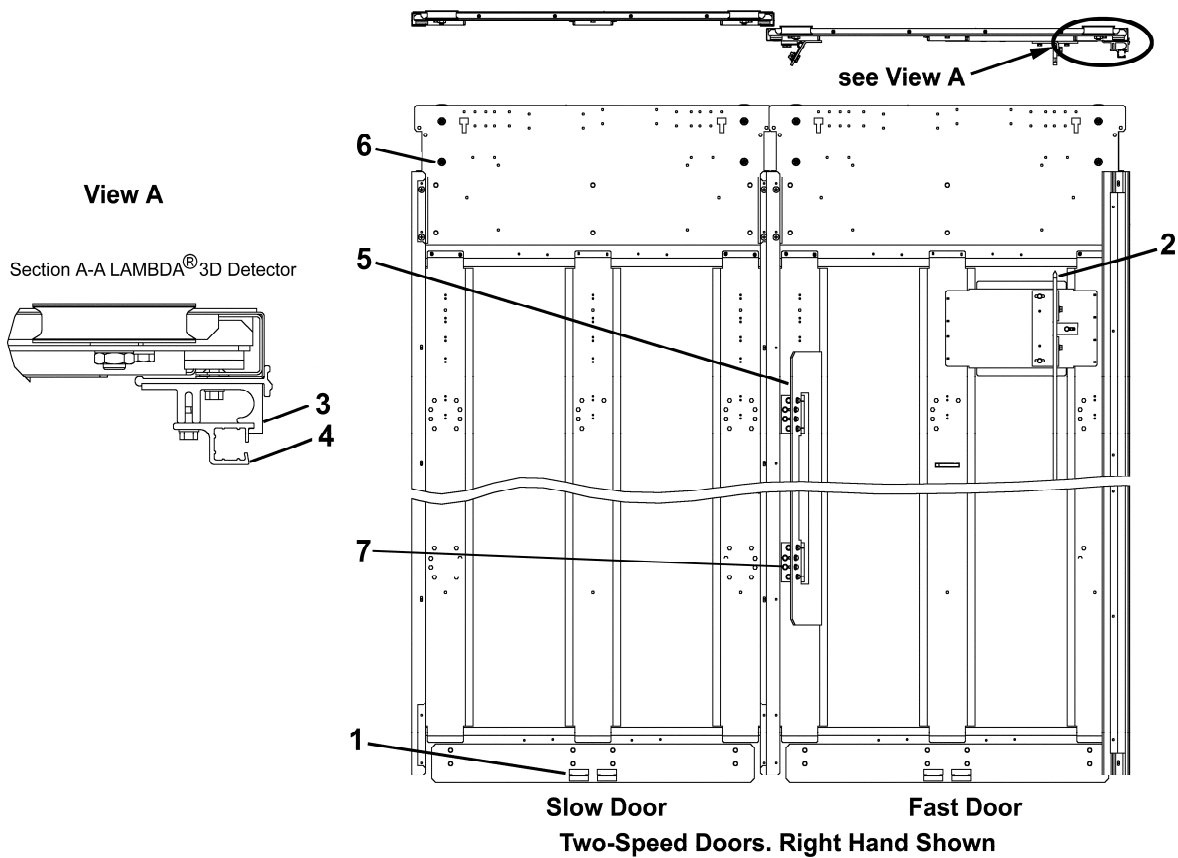


	AAA24520E	ACA24520E	
REF. No.	PART No.		DESCRIPTION
1	---	---	Assembly, Door Guide, Type AAA24179D, p. 7
2	---	---	Assembly, Stationary Vane, p. 5
3	AAA402ZX5		Astragal, 96 in. H. Entrance
	AAA402ZX4		Astragal, 84 in. H. Entrance
4	AAA326AJ2		Bracket (LAMBDA® III Detector Mount), 96 in. H. Entrance
	AAA326AJ1		Bracket (LAMBDA III Detector Mount), 84 in. H. Entrance
	---	AAA326AN2	Bracket (LAMBDA® II Detector Mount), 96 in. H. Entrance
	---	AAA326AN1	Bracket (LAMBDA® II Detector Mount), 84 in. H. Entrance
5	---	---	Detector, LAMBDA® III, SPL 20-AAA24591T
	---	---	Detector, LAMBDA® II, SPL 20-AAA24591B
6	---	---	Hinged Door Stop, SPL 19-AAA6940BY
7	---	---	Kits, Hanger Bracket Rollers, SPL 19-AAA6940BY
8	See NOTE	72BX20	Nut, Clip, M6 x 1

NOTE: Type AAA24520E doors come with factory installed nutserts that are not replaceable.

19-AAA24520E

Two-Speed Doors

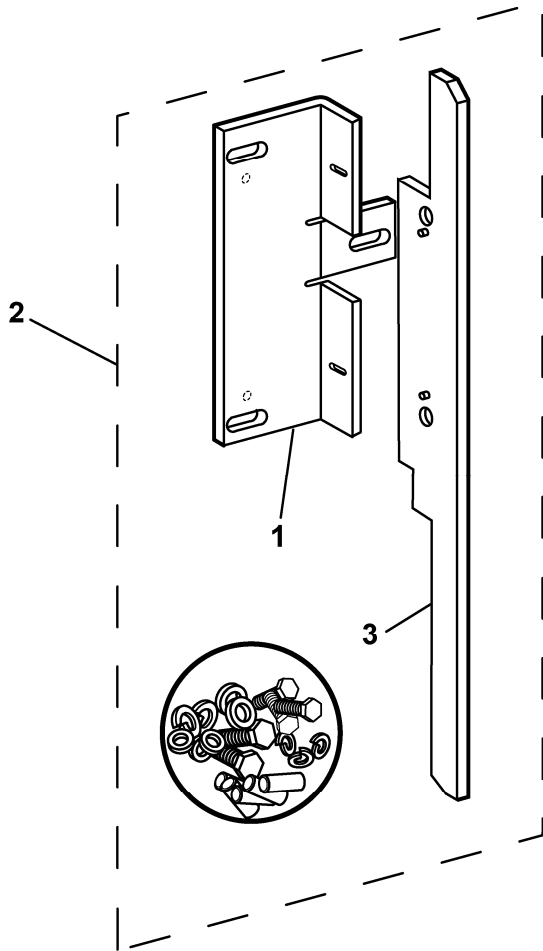


	AAA24520E	ACA24520E	
REF. No.	PART No.		DESCRIPTION
1	---	---	Assembly, Door Guide, Type AAA24179D, p. 7
2	---	---	Assembly, Stationary Vane, p. 5
3	AAA326AJ2		Bracket (LAMBDA® III Detector Mount), 96 in. H. Entrance
	AAA326AJ1		Bracket (LAMBDA III Detector Mount), 84 in. H. Entrance
	---	AAA326AN2	Bracket (LAMBDA® II Detector Mount), 96 in. H. Entrance
	---	AAA326AN1	Bracket (LAMBDA® II Detector Mount), 84 in. H. Entrance
4	---	---	Detector, LAMBDA® III, SPL 20-AAA24591T
	---	---	Detector, LAMBDA® II, SPL 20-AAA24591B
5	---	---	Hinged Door Stop, SPL 19-AAA6940BY
6	---	---	Kits, Hanger Bracket Roller, p. 6
7	See NOTE	72BX20	Nut, Clip, M6 x 1

NOTE: Type AAA24520E doors come with factory installed nutserts that are not replaceable.

Vane

19-AAA24520E

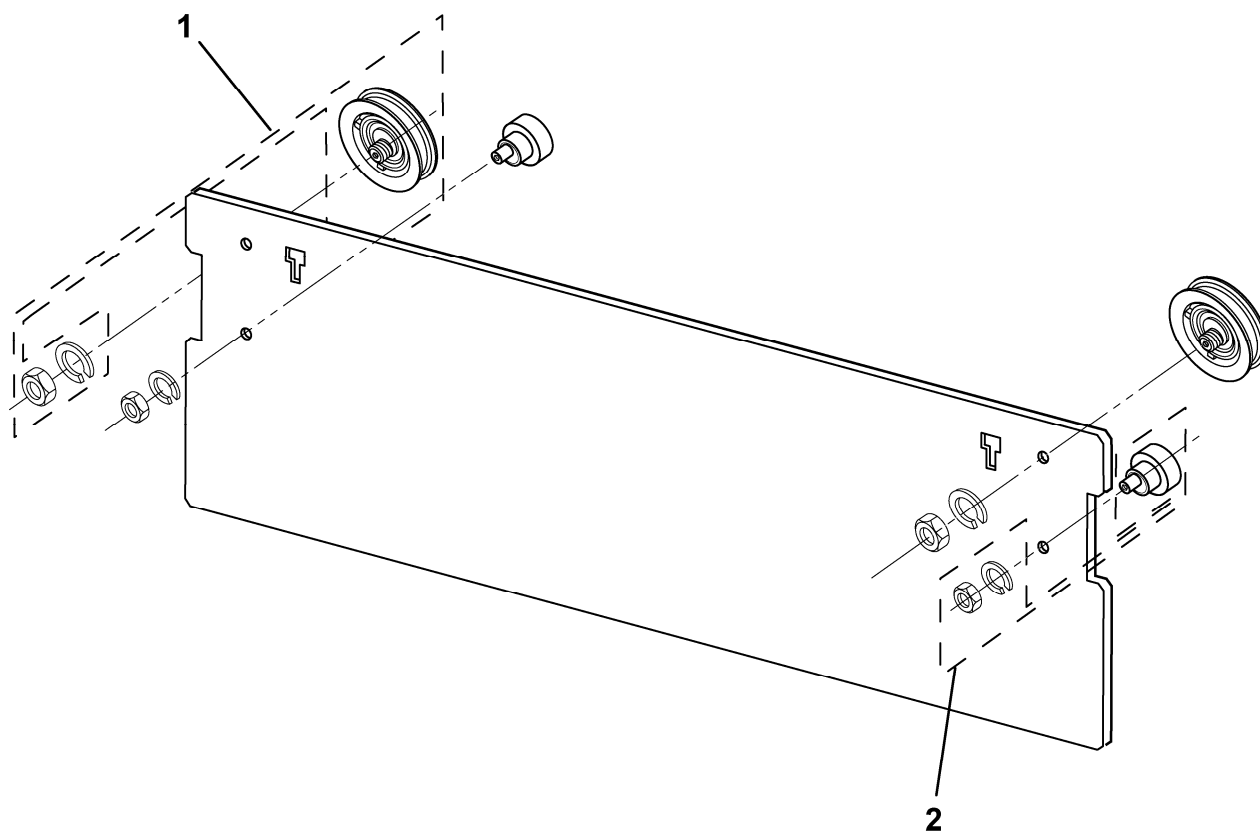


AAA24520E
ACA24520E

REF. No.	PART No.	DESCRIPTION	
1	AAA283AVG2	Angle, Formed, W → AAA23395D4, D5, & D6	
	AAA283AVG1	Angle, Formed, W → AAA24395D1	
2	AAA24395D1	Assembly, Stationary Vane, and , W → 84 in. H. Entrance & 96 in. H Cab or 96 in. H. Entrance & 115 in. Cab,	For AT400 Operator Single-Slide, Two-Speed, and Center-Opening Doors
	AAA24395D4	Assembly, Stationary Vane, , W → 84 in. H. Entrance & 115 in. H Cab	For i-MOTION® II Operator Single-Slide and Two-Speed Doors
	AAA24395D5	Assembly, Stationary Vane, , W → 84 in. H. Entrance & 115 in. H Cab	
	AAA24395D6	Assembly, Stationary Vane, W → 84 in. H. Entrance & 115 in. H Cab	For i-MOTION® II Operator Center-Opening Doors
3	AAA327PR2	Vane	

19-AAA24520E

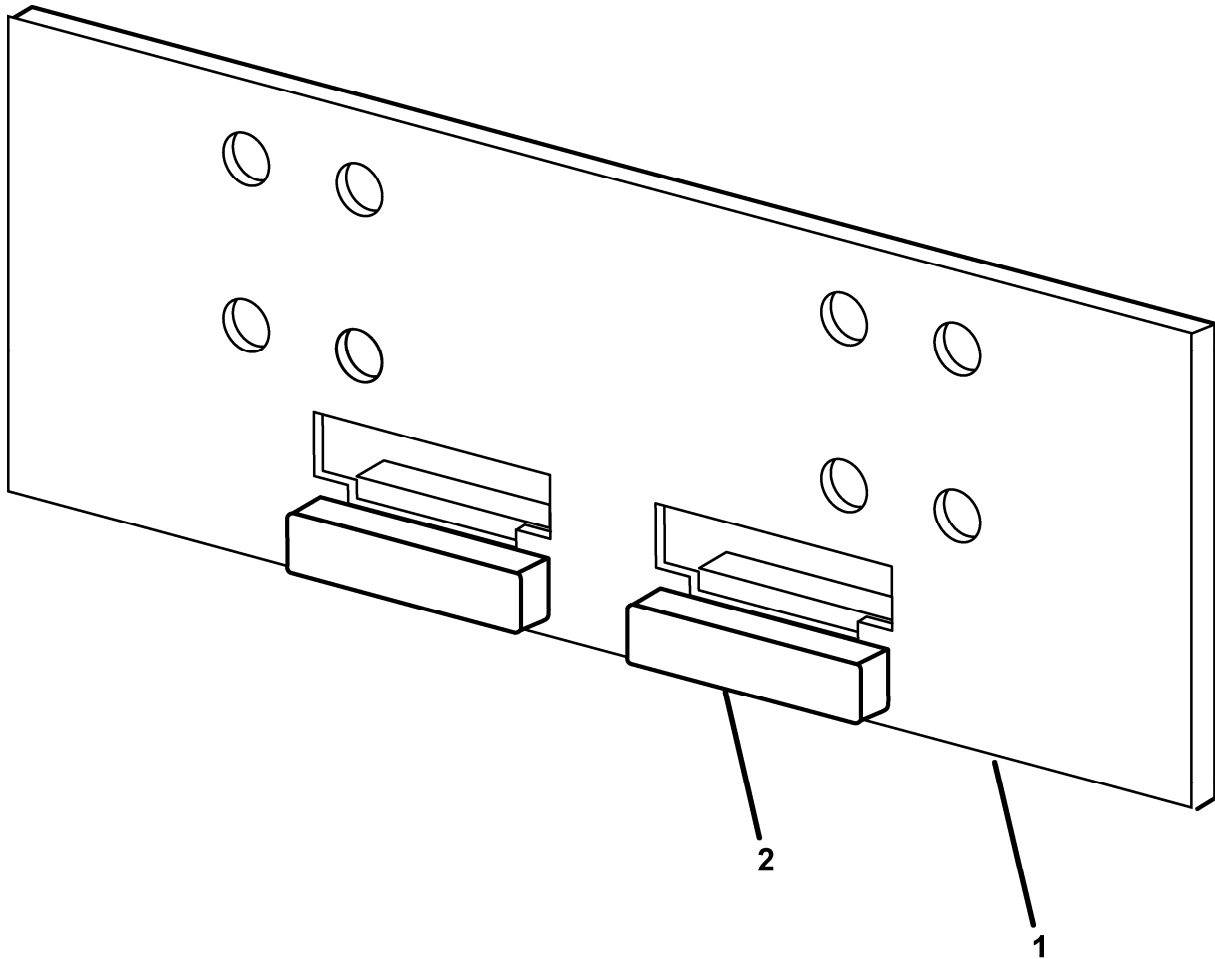
Hanger Bracket



REF. No.	PART No.	DESCRIPTION
1	AAA456YA6	Kit, Door Roller, Service Replacement
2	AAA456XZ6	Kit, Eccentric Roller, Service Replacement

Door Guide

19-AAA24520E



**AAA24520E
ACA24520E**

REF. No.	PART No.	DESCRIPTION	ENTRANCE WIDTH	DOOR TYPE
1	AAA316GYK1	Bracket, Door Guide, ~33.5 in. L	36 in.	Single-Slide
	AAA316GYK2	Bracket, Door Guide, ~39.5 in. L	42 in.	Single-Slide
	AAA316GYK3	Bracket, Door Guide, ~17.5 in. L	42 in.	Center-Opening
	AAA316GYK4	Bracket, Door Guide, ~20.5 in. L	48 in.	Center-Opening
	AAA316GYK5	Bracket, Door Guide, ~21.0 in. L	48 in.	Two-Speed
	AAA316GYK6	Bracket, Door Guide, ~24.0 in. L	54 in.	Two-Speed
2	AAA251EG1	Insert, Door Guide		