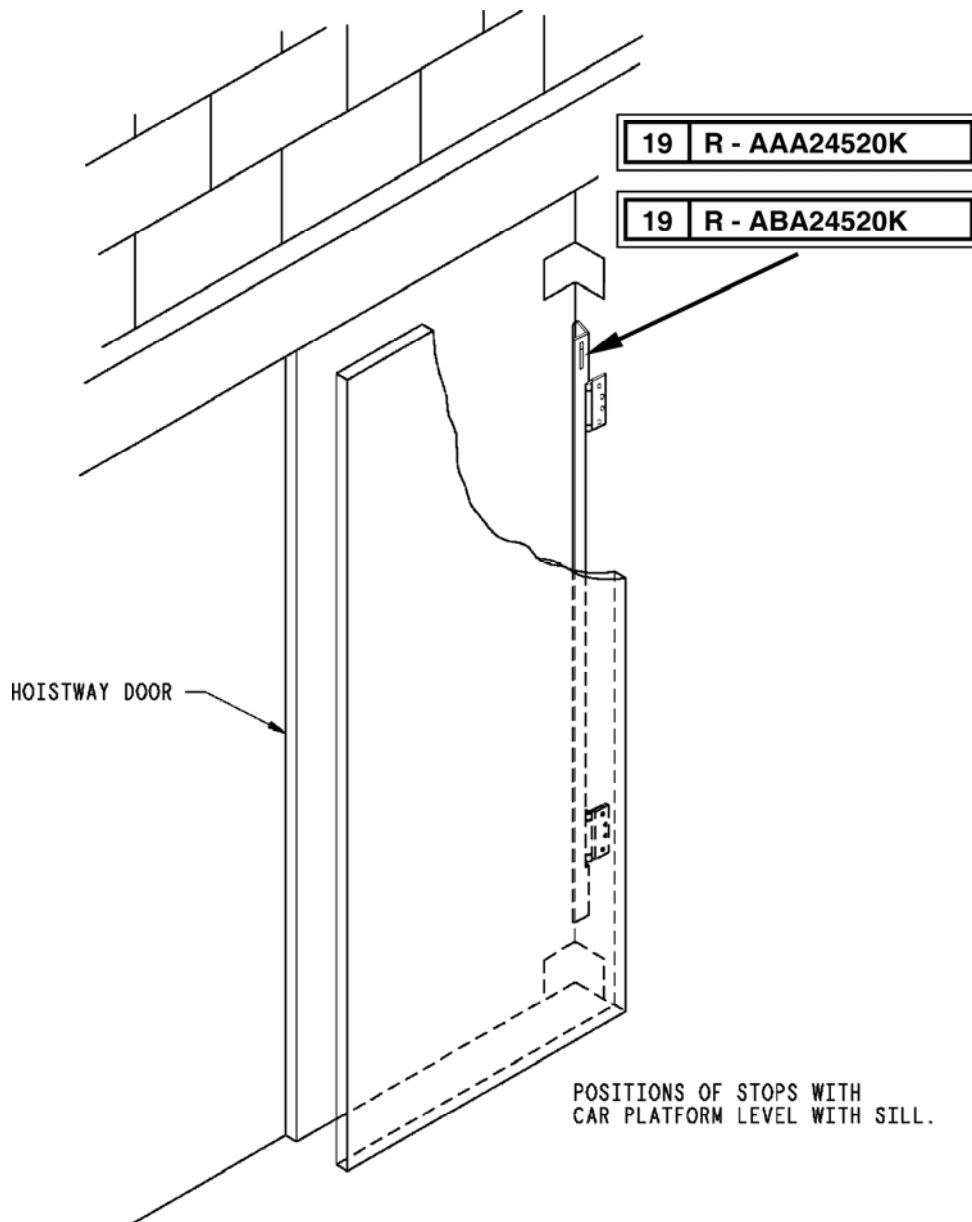


# Auxiliary Door Stop, NG Door System

Spare Parts Leaflet

19-AAA24520K

November 13, 2019 / Page 1 of 5



# OTIS

This document does not contain any  
technical data subject to EAR or ITAR

SERVICE ENGINEERING  
Otis Elevator Company  
Bloomfield, Connecticut USA

Unpublished Work—© Otis Elevator Co.; 2019

## Leaflet Description

This leaflet details the lowest replaceable units (LRUs) for auxiliary door stop used on the NG door system.

### Leaflet Revisions

Date Revised	Subject Matter Expert	Reason for Revision
September 24, 2008	Troy Chicoine	New SPL.
March 13, 2009	Brian Regan	Corrected cross-reference in Related Documents section.
November 13, 2019	Peter Kelley	Revised history page

### Related Drawings

Drawing No.	Title	Drawing No.	Title
AAA24520K	Arrangement, Auxiliary Door Stop	---	---

### Related Documents

Document ID	Title
SPL 23-AAA24470X	Arrangement, Center-Opening NG Door System with AT400 Door Operator
SPL 23-AAA24470M	I-Motion II Door Operator Linkage Assemblies
SPL 24-AAA24390J	Door Coupler, NG Door System
SPL 19-AAA24600A	Car Door Hanger and Track NG Door Systems: Single-Slide, Center-Opening, Two-Speed

### Subject Matter Expert

Name	Department
Peter Kelley	OSC Service Engineering

### About Spare Parts Leaflets...

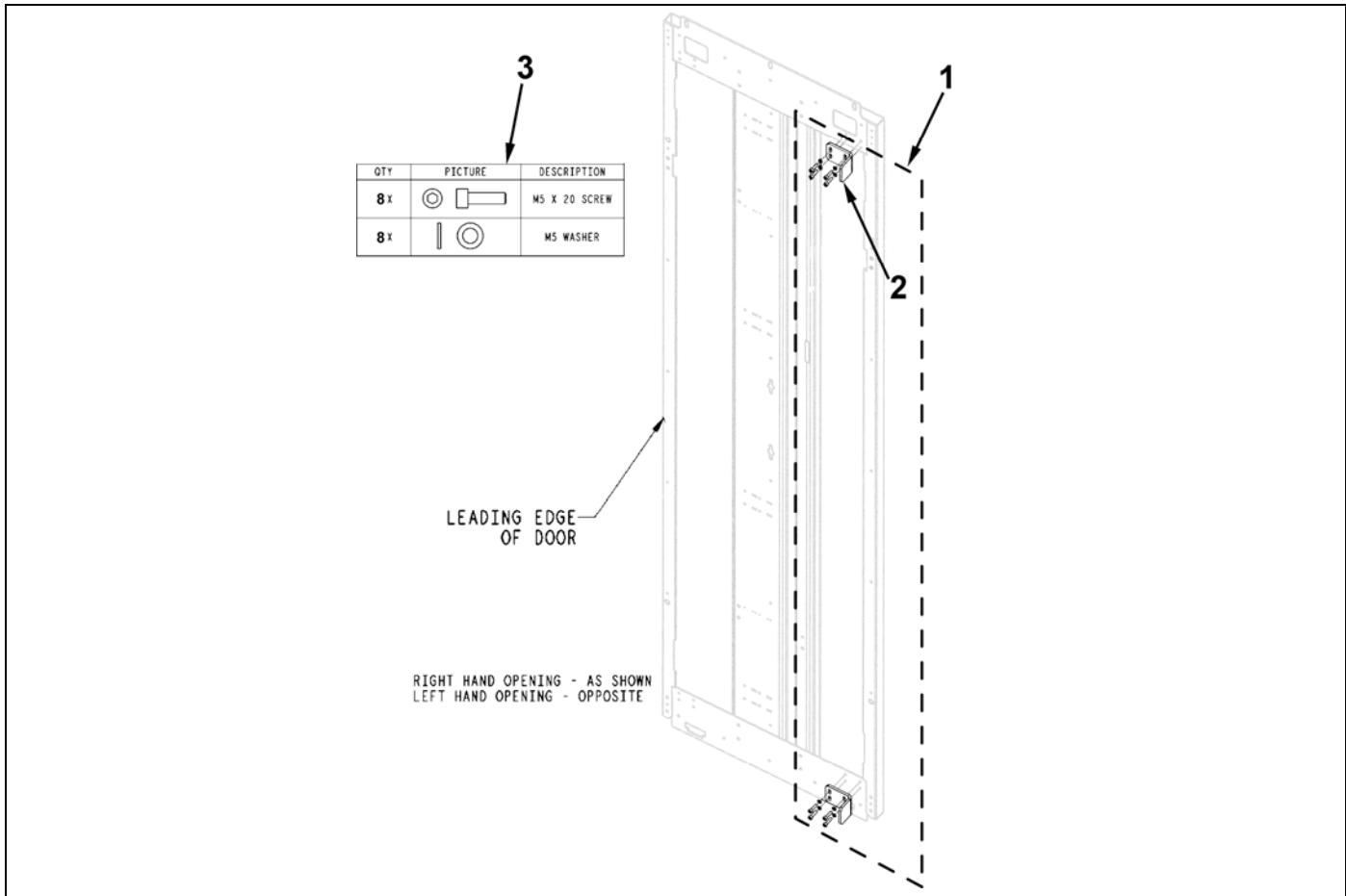
This document lists the lowest replaceable units (LRUs) for the standard version of the product. The LRUs are chosen by a team of Otis associates representing engineering and manufacturing.

While goal of this document is to make parts identification as easy as possible, the document cannot be all-inclusive. Elevator and escalator contracts classified as "special" or "custom" are not addressed here. For such contracts, please refer to specified information, the contract folder, TIPs, Field Education Articles, Construction Letters, etc. for further information.

If you have any suggestions about this document, please contact the subject matter expert listed on this page.

# Hoistway Door Auxiliary Stop for AT400 Door Operator

19-AAA24520K

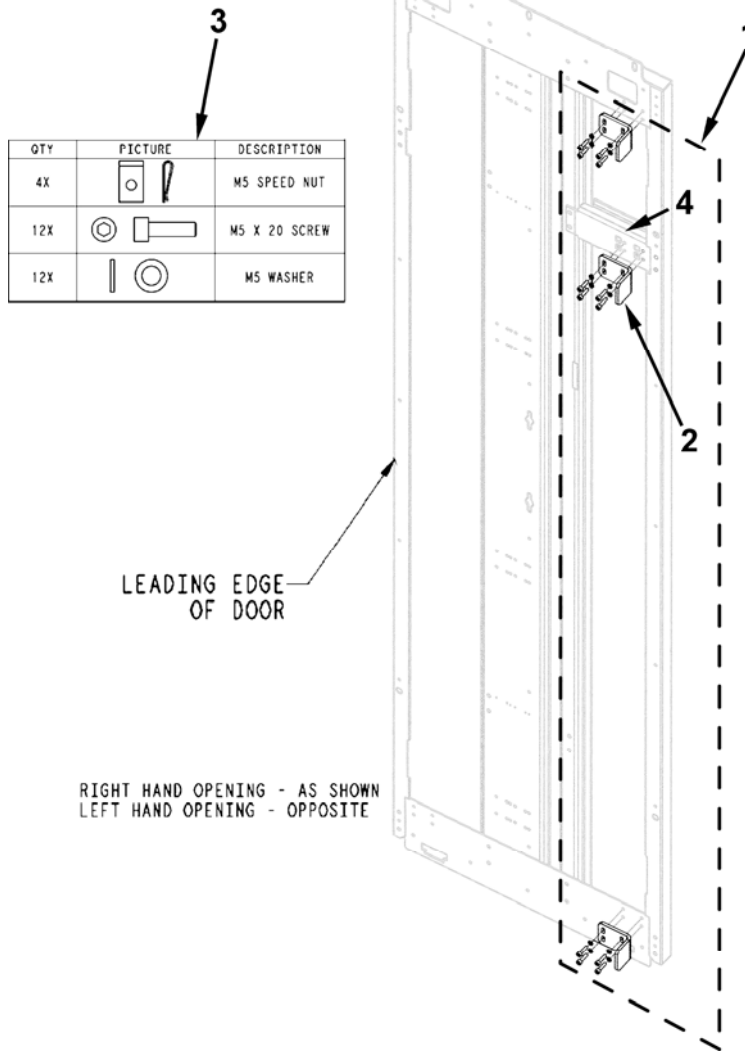


REF. No.	PART No.	DESCRIPTION	ENTRANCE TYPE	CAB HEIGHT (in.)	ENTRANCE HEIGHT (in.)
	AAA24520K ABA24520K				
1	ABA24520K6	Assembly, Hoistway Door Auxiliary Door Stop	S/S	96	84
	ABA24520K8		C/O	115	96
			2/S	96, 115, 120	84, 96
---	ABA24520K10	Assembly, Auxiliary Door Stop, Fascia Mount (not shown)	---	---	---
2	AAA283BCQ1	Angle (for S/S and C/O doors)			
	AAA283BCQ2	Angle (not shown, for fascia mount auxiliary door stop)			
	AAA283BCQ3	Angle (for 2/S doors)			
3	ABA24520K402	Kit, Hardware (hoistway side)			
	ABA24520K403	Kit, Hardware (not shown for fascia-mounted angle)			

19-AAA24520K

# Hoistway Door Stop Parts





for i-Motion Door Operator



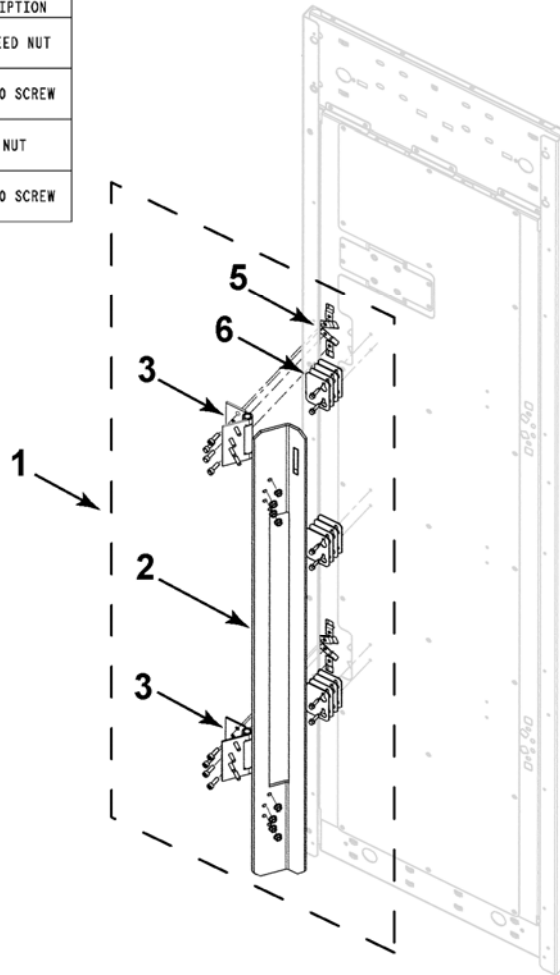
REF. No.	PART No.	DESCRIPTION	ENTRANCE TYPE	CAB HEIGHT (in.)	ENTRANCE HEIGHT (in.)
	AAA24520K ABA24520K				
1	ABA24520K7	Assembly, Hoistway Door Auxiliary Door Stop	C/O	96	84
	ABA24520K9		2/S		
2	AAA283BCQ1	Angle, for S/S and C/O Doors	S/S, C/O	---	---
	AAA283BCQ3	Angle, for 2/S Doors	2/S	---	---
3	ABA25420K401	Kit, Hardware (Hoistway side)			
4	72BX19	Nut, Speed, M5 (general location, part not shown)			

19-AAA24520K

# Car Door Angle Parts

HARDWARE KIT ABA24520K400		
QTY	PICTURE	DESCRIPTION
8X		M6 SPEED NUT
16X		M6 X 20 SCREW
8X		M6 NUT
6X		M5 X 20 SCREW

4



Leading Edge of Door

AAA24520K  
ABA24520K

REF. 1 Assembly	REF. 2 Angle + Hardware	ENTRANCE TYPE	CAB HEIGHT (in.)	ENTRANCE HEIGHT (in.)
ABA24520K1	ABA283BCR1	S/S, 2/S, C/O	96, 115, 120	84
ABA24520K2	ABA283BCR2	2/S	96	84
ABA24520K3	ABA283BCR3	S/S, 2/S, C/O	115, 120	96
ABA24520K4	ABA283BCR4	C/O	96	84
ABA24520K5	ABA283BCR5	2/S	115	96
REF. No.	PART No.	DESCRIPTION		
3	AAA391CJ2	Hinge, Spring		
4	ABA24520K400	Kit, Hardware (car side)		
5	72BX20	Nut, Speed, M6		
6	AAA255MT1	Shim		