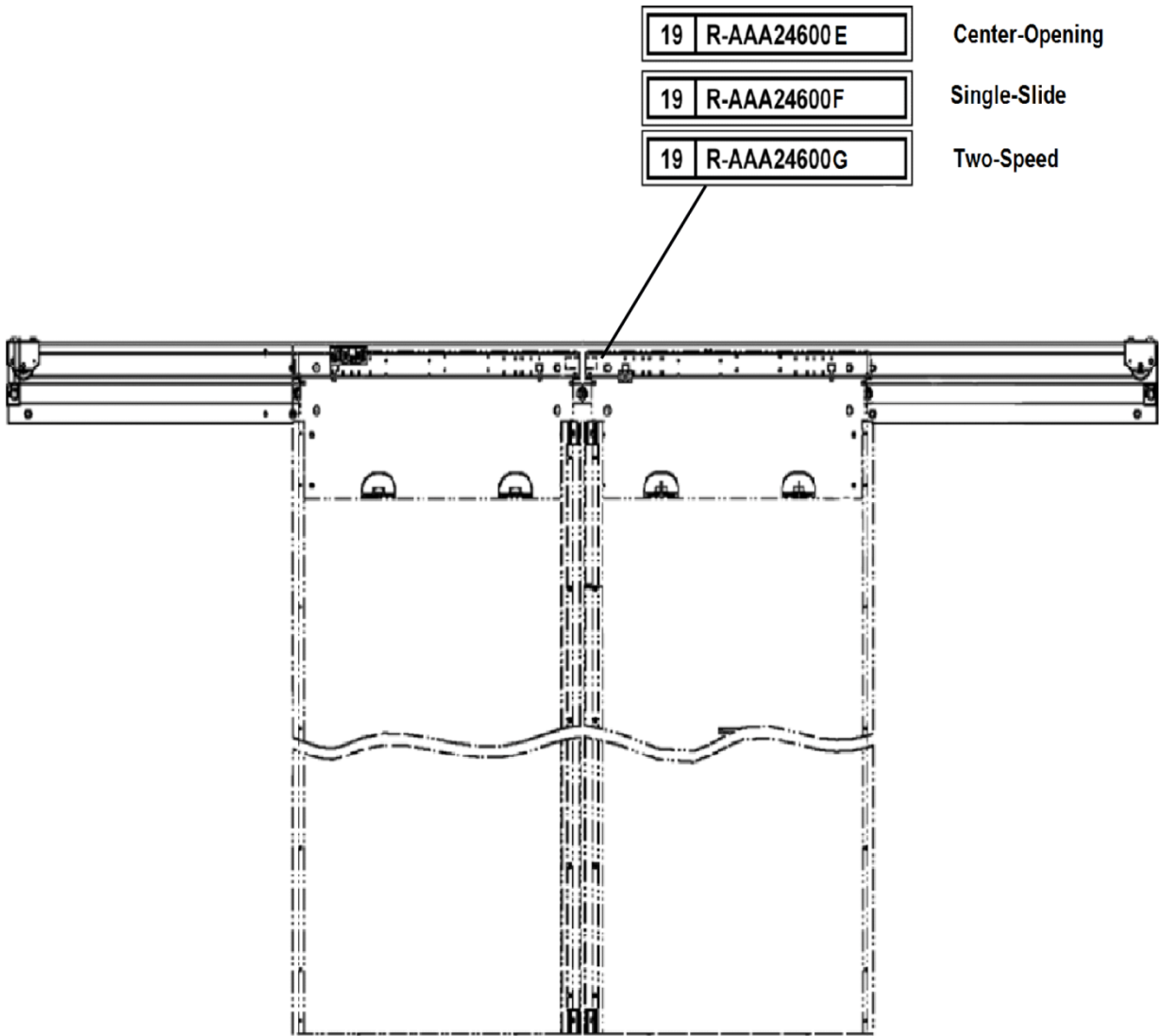


Car Door Hanger and
Track NG Door Systems
C/O, S/S, 2/S

Spare Parts Leaflet
19-AAA24600E

November 13, 2019 / Page 1 of 14



OTIS

This document does not contain any
technical data subject to EAR or ITAR

SERVICE ENGINEERING
Otis Elevator Company
Bloomfield, Connecticut USA

Unpublished Work—© Otis Elevator Co.; 2019

Leaflet Description

This leaflet provides spare parts information for next generation (NG) door systems car door hangers and track assemblies. Parts and lower levels associated with drawings AAA24600E, AAA24600F, and AAA24600G are included in this SPL. They show information for the single-slide, center-opening, and two-speed doors.

Leaflet Revisions

Date Revised	Subject Matter Expert	Reason for Revision
August 7, 2013	Brian Regan	New SPL
February 26, 2014	Brian Regan	Updated information and template
June 14, 2017	Brian Regan	Added p/n FAA198V1 on p. 12
November 13, 2019	Peter Kelley	Revised history page

Related Drawings

Drawing No.	Title	Drawing No.	Title
AAA24600E	Assembly and Arrangement Hanger and Track Center-Opening NG Car Door	AAA24600G	NG Car Header Assembly Two-Speed
AAA24600F	NG Car Header Assembly Single-Slide	---	---

Related Documents

Document ID	Title
---	---

Subject Matter Expert

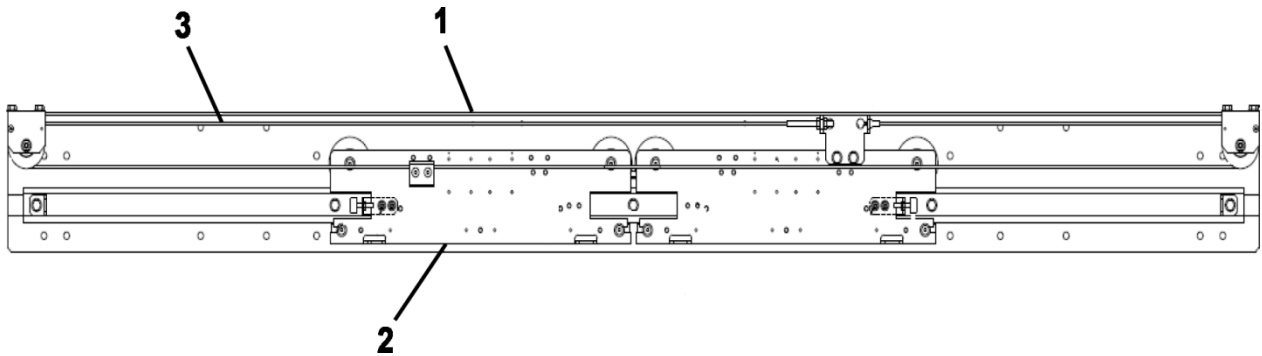
Name	Department
Peter Kelley	OSC Service Engineering

About Spare Parts Leaflets...

This document lists the lowest replaceable units (LRUs) for the standard version of the product. The LRUs are chosen by a team of Otis associates representing engineering and manufacturing.

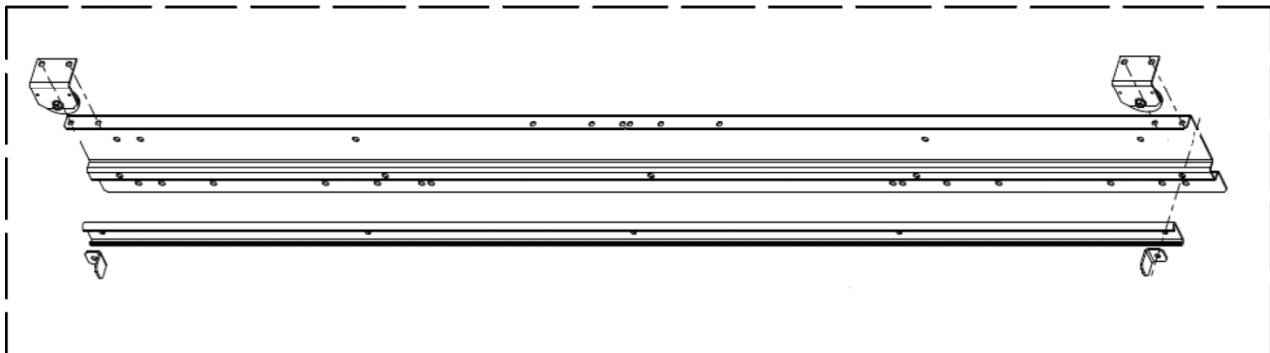
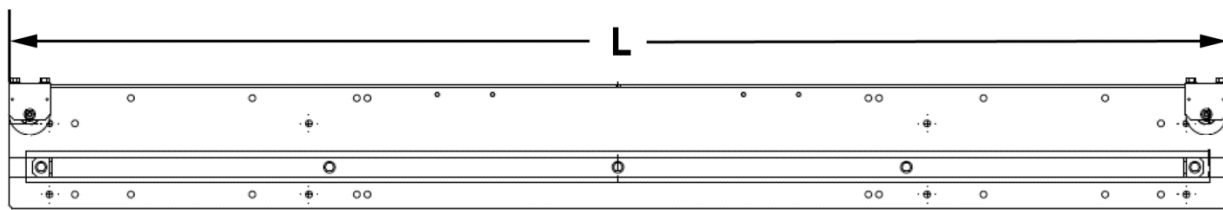
While goal of this document is to make parts identification as easy as possible, the document cannot be all-inclusive. Elevator and escalator contracts classified as "special" or "custom" are not addressed here. For such contracts, please refer to specified information, the contract folder, TIPS, Field Education Articles, Construction Letters, etc. for further information.

If you have any suggestions about this document, please contact the subject matter expert listed on this page.



REF. No.	PAGE No.	DESCRIPTION
1	4-9	Assembly, Header / Track
2	10-11	Assembly, Hanger / Bracket
3	12	Assembly, Aircord, Center-Opening
*	13-14	Assembly, Relator, Two-Speed

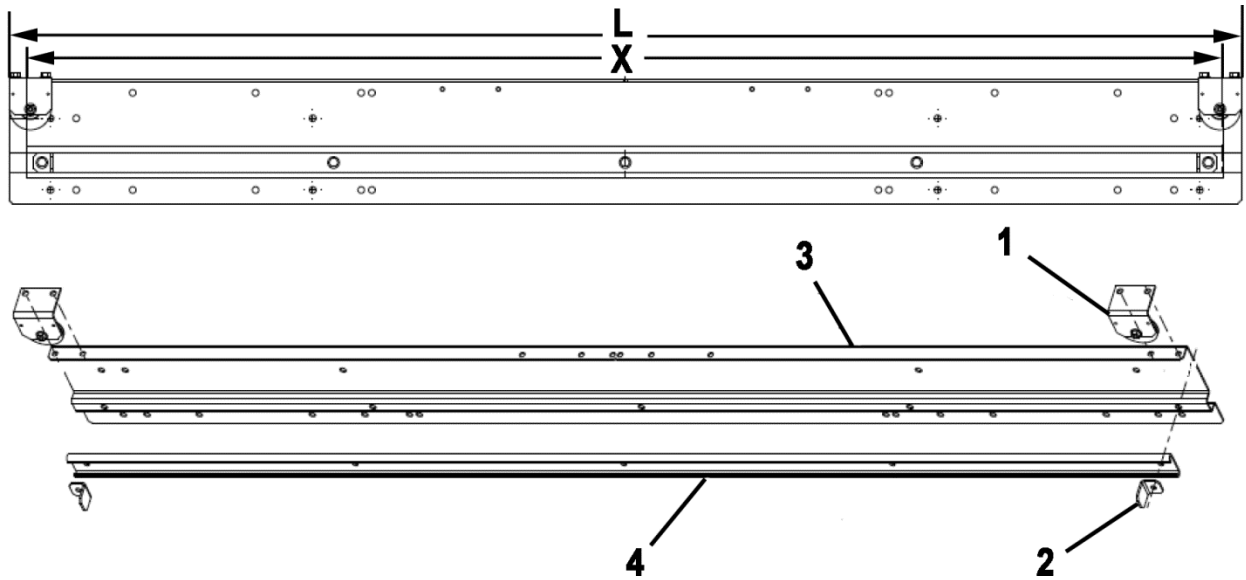
* Not shown.



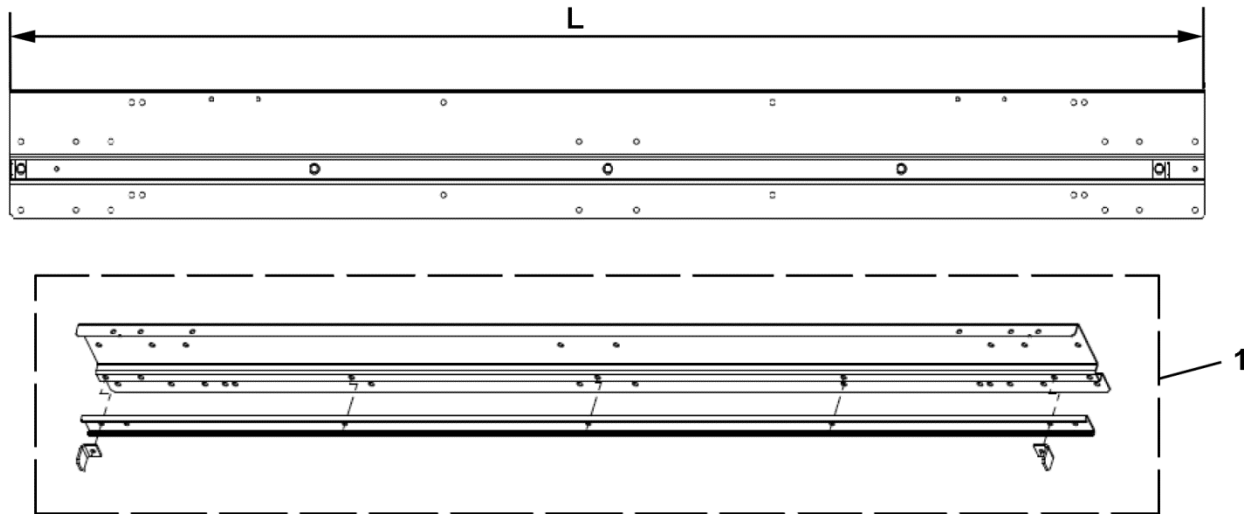
1

AAA24600E					
REF. No.	PART No.	DESCRIPTION	HAND	ENTRANCE WIDTH	L (mm / in.)
1	AAA409JK1	Assembly, Header / Track Otis Door and Vendor Door	RH/LH	42 in.	2269 mm / 89 in.
	AAA409JK2			48 in.	2573 mm / 101 in.
	AAA409JK5	Assembly, Header / Track Otis Door		42 in.	2213 mm / 87 in.
	AAA409JK6			48 in.	2517 mm / 99 in.

(Continued on Next Page)

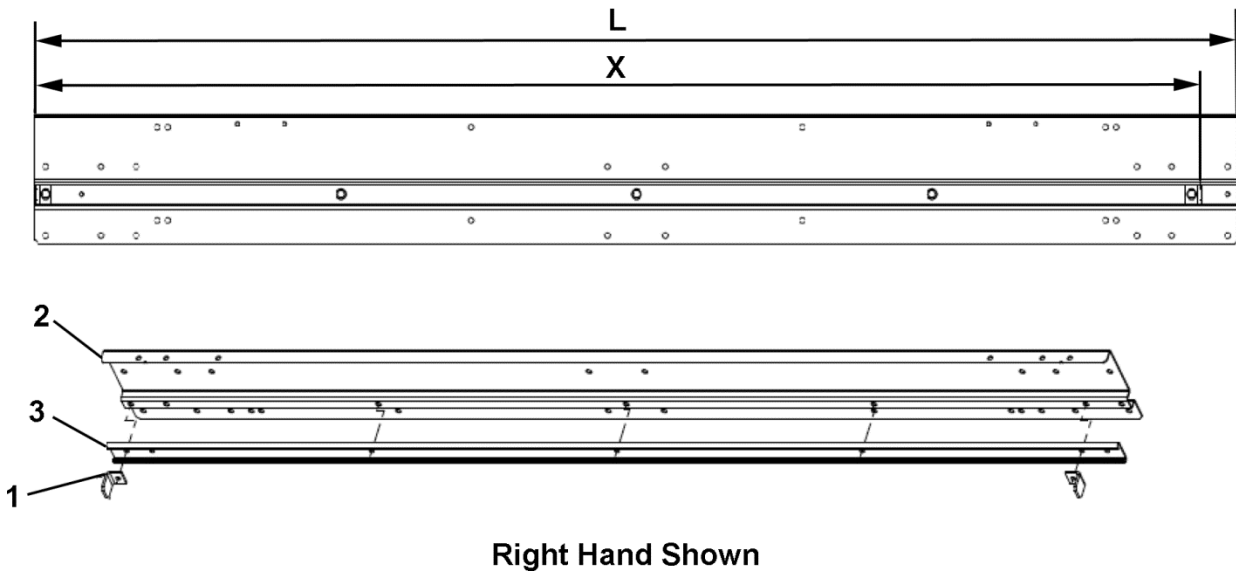


AAA24600E					
REF. No.	PART No.	DESCRIPTION	OP. WIDTH (mm)	L (mm)	X (mm)
1	AAA316HVX2	Assembly, Sheave Bracket	---	---	---
2	AAA316HWZ1	Bracket, Stop	---	---	---
3	AAA409JG1	Header, Passenger Entrance, Otis and Vendor Doors	1067	2269	---
	AAA409JG2		1219	2573	---
	AAA409JN1	Header, Passenger Entrance, Otis Doors	1067	2213	---
	AAA409JN2		1219	2517	---
4	AAA483XD9	Track	1067	---	2213
	AAA483XD10		1219	---	2517
	AAA483XD999-2823-BLANK	Track, Shape, w/o Holes	---	2823	---

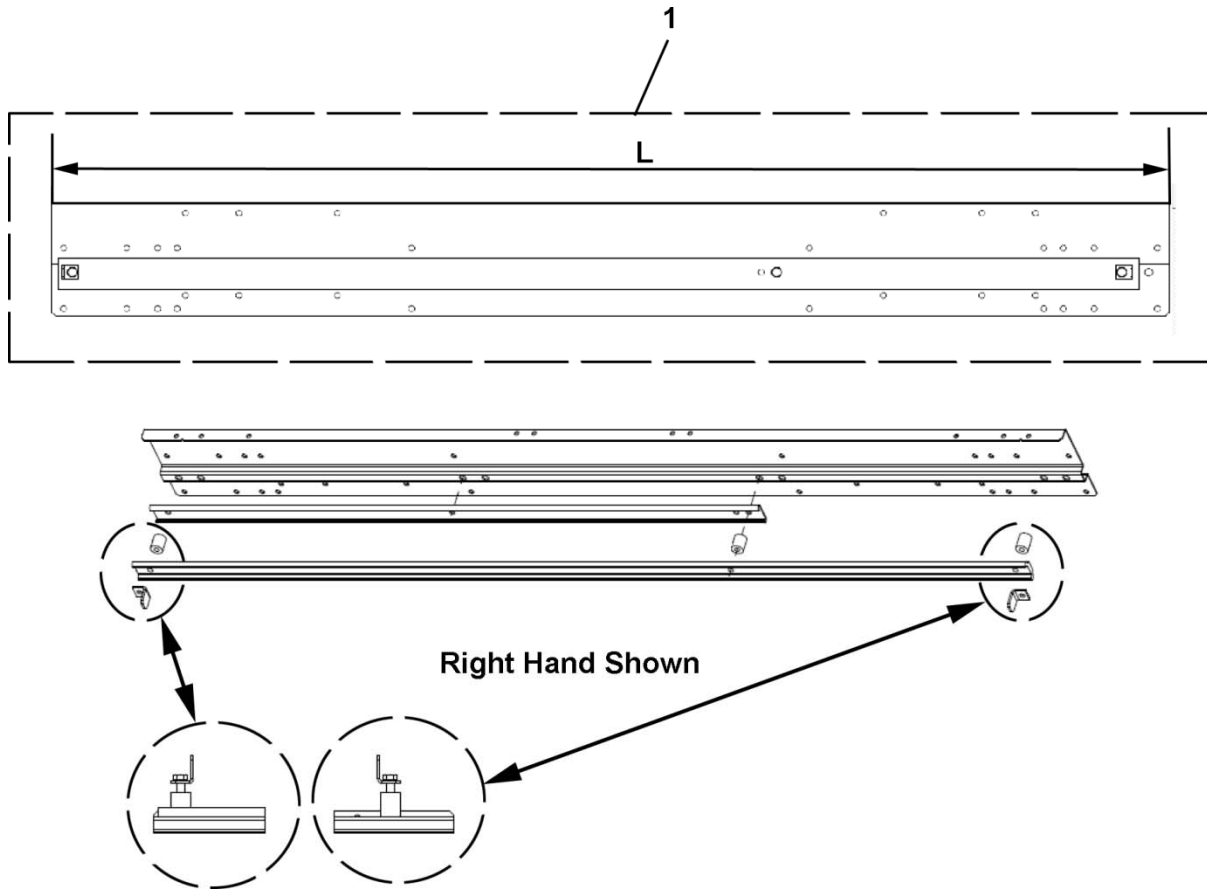


REF. No.	PART No.	DESCRIPTION	HAND	ENTRANCE WIDTH (in.)	L mm / in.	
	AAA24600F					
1	AAA409JL1	Assembly, Header / Track, Otis and Vendor Door	RH	36	1998 mm / 78.5 in.	
	AAA409JL2		LH			
	AAA409JL3		RH	42		2304 mm / 90.7 in.
	AAA409JL4		LH			
	AAA409JL9	Assembly, Header / Track, Otis Door	RH	36	1978 mm / 78 in.	
	AAA409JL10		LH			
	AAA409JL11		RH	42		2284 mm / 90 in.
	AAA409JL12		LH			

(Continued on Next Page)

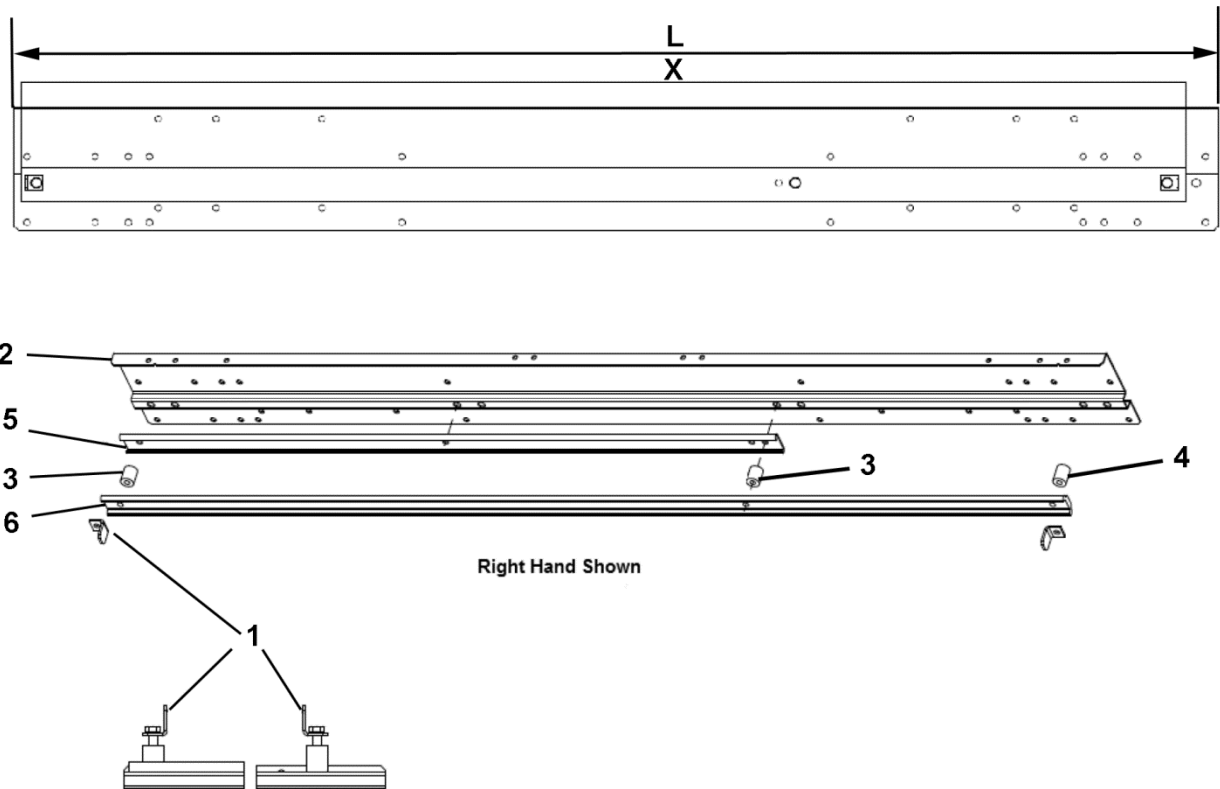


REF. No.	PART No.	DESCRIPTION	OP. WIDTH (mm)	L (mm)	X (mm)
	AAA24600F				
1	AAA316HWZ1	Bracket, Stop	---	---	---
2	AAA409JH1	Header, Passenger Entrance, Otis and Vendor Doors	914	1978	---
	AAA409JH2		1067	2284	---
	AAA409JP1	Header, Passenger Entrance, Otis Doors	914	1978	---
	AAA409JP2		1067	2284	---
3	AAA483XD12	Track, Otis and Vendor Doors	914	---	1988
	AAA483XD13		1067	---	2294
	AAA483XD26	Track, Otis Doors	914	---	1978
	AAA483XD27		1067	---	2284
		AAA483XD999-2823-BLANK	Track, Shape, w/o Holes	---	2823



REF. No.	PART No.	DESCRIPTION	HAND	ENTRANCE WIDTH (in.)	L mm / in.
	AAA24600G				
1	AAA409JM1	Assembly, Header / Track	RH	48	1988.5 mm / 78 in.
	AAA409JM2		LH		
	AAA409JM3		RH	54	2218 mm / 87.3 in.
	AAA409JM4		LH		

(Continued on Next Page)

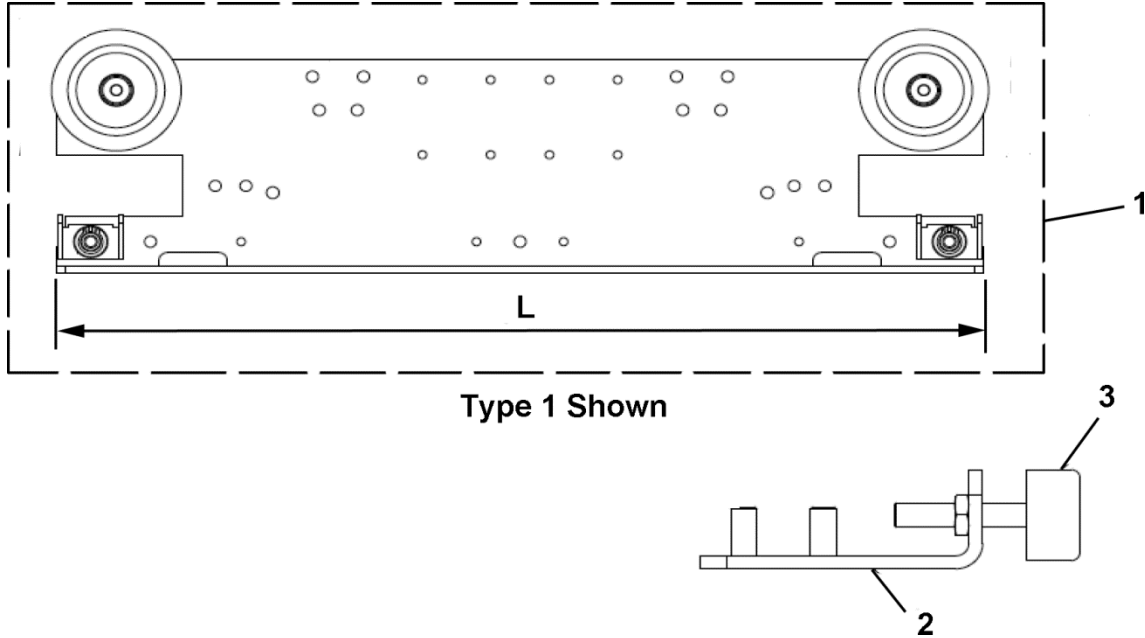


REF. No.	PART No.	DESCRIPTION	Op. Width (mm)	L (mm)	X (mm)
	AAA24600G				
1	AAA316HWZ2	Bracket, Stop	---	---	---
2	AAA409JJ1	Header, Passenger Entrance Otis Door	1219	1988.5	
	AAA409JJ2		1372	2218	
3	AAA462BK6	Spacer, Standoff	---	---	---
4	AAA462BK7				
5	AAA483XD21	Track, Slow Door	1219		1314
	AAA483XD22		1372		1467
	AAA483XD999-2823-BLANK	Track, Shape, w/o Holes	---	2823	---
6	AAA483XE8	Track, Fast Door	1219		1928.5
	AAA483XE9		1372		2158

19-AAA24600E

Hanger Bracket

C/O, S/S, and 2/S



AAA24600E
AAA24600F
AAA24600G

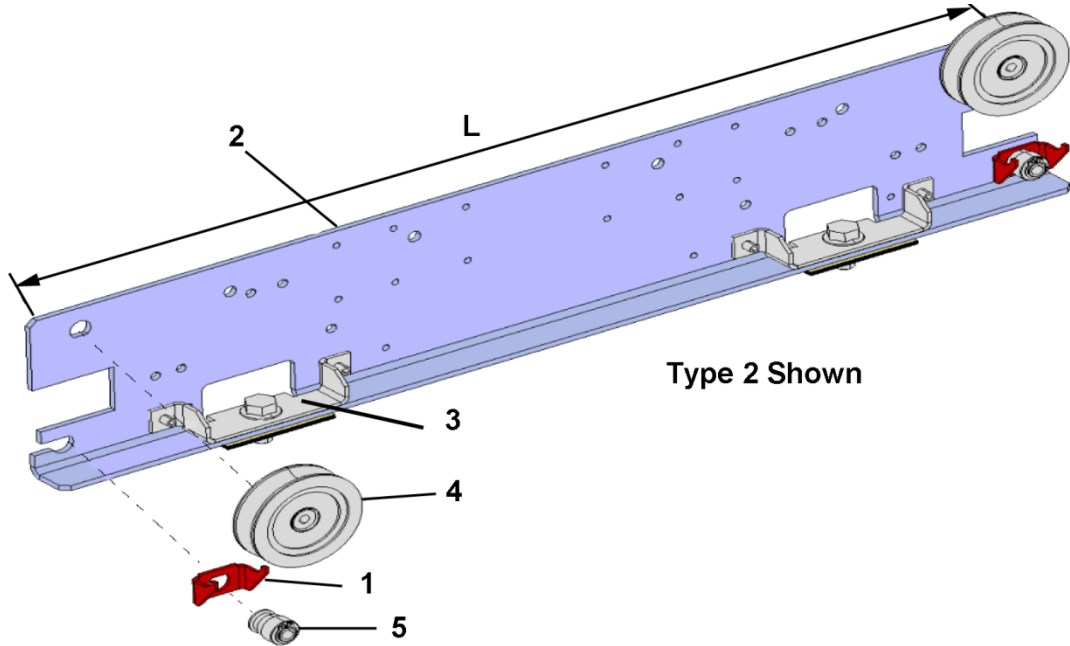
REF. No.	PART No.	DESCRIPTION	ENTRANCE TYPE	Entrance Width (in.)	Length (L) (mm)
1	AAA389CW1	Assembly, Hanger Bracket, Type 1	C/O	42	543.5
	AAA389CW2			48	619.5
	AAA389CW3		S/S	36	946
	AAA389CW4			42	1099
	AAA389CW5		2/S	48	631.5
	AAA389CW6			54	708
	AAA389CW7	Assembly, Hanger Bracket, Type 2	C/O	42	543.5
	AAA389CW8			48	619.5
	AAA389CW9		S/S	36	946
	AAA389CW10			42	1099
	AAA389CW11		2/S	48	631.5
	AAA389CW12			54	708
2	AAA316HVW1	Bracket	---	---	---
3	AAA320EG1	Stopper	---	---	---

(Continued on Next Page)

Hanger Bracket

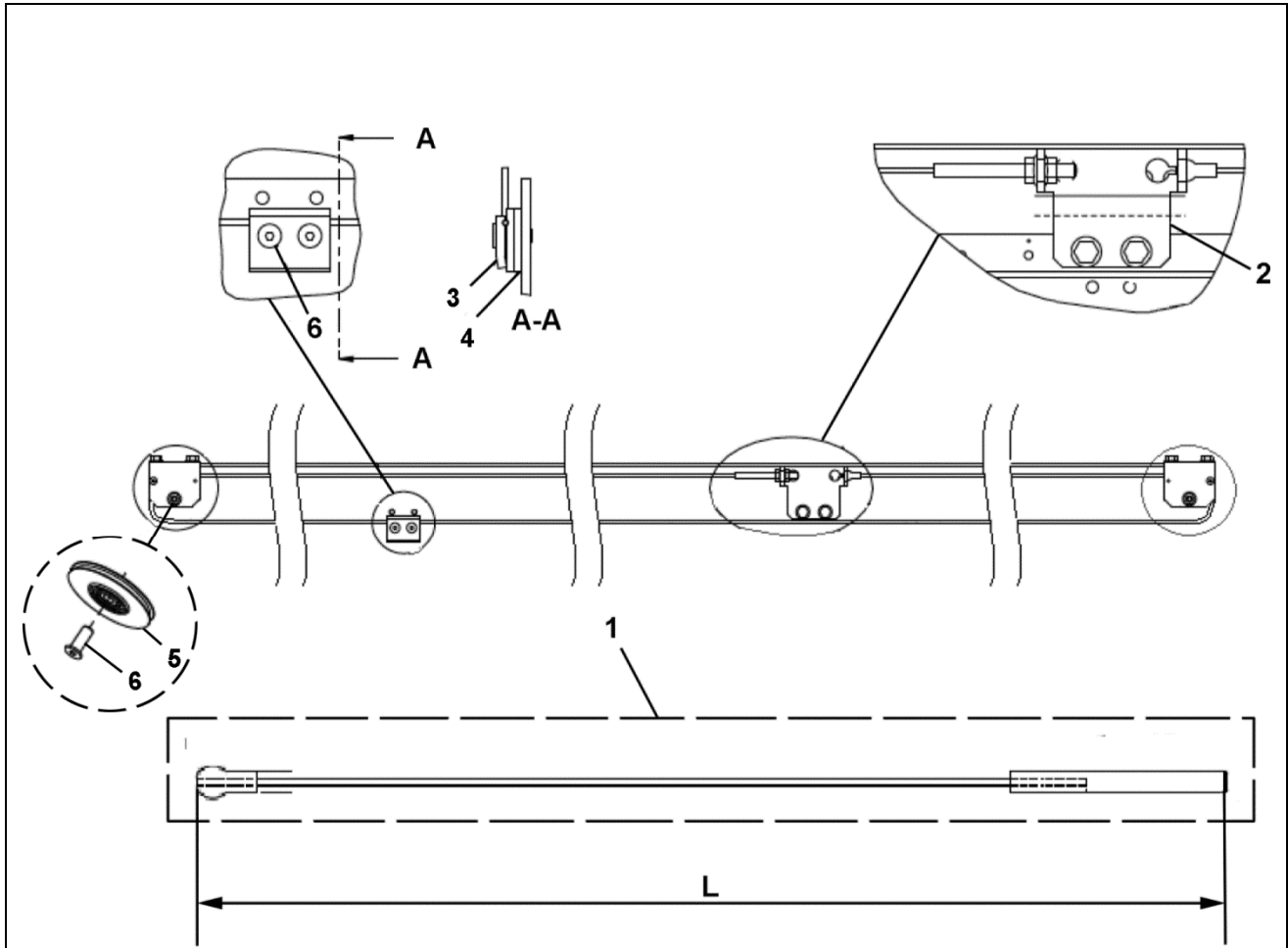
C/O, S/S, and 2/S

19-AAA24600E

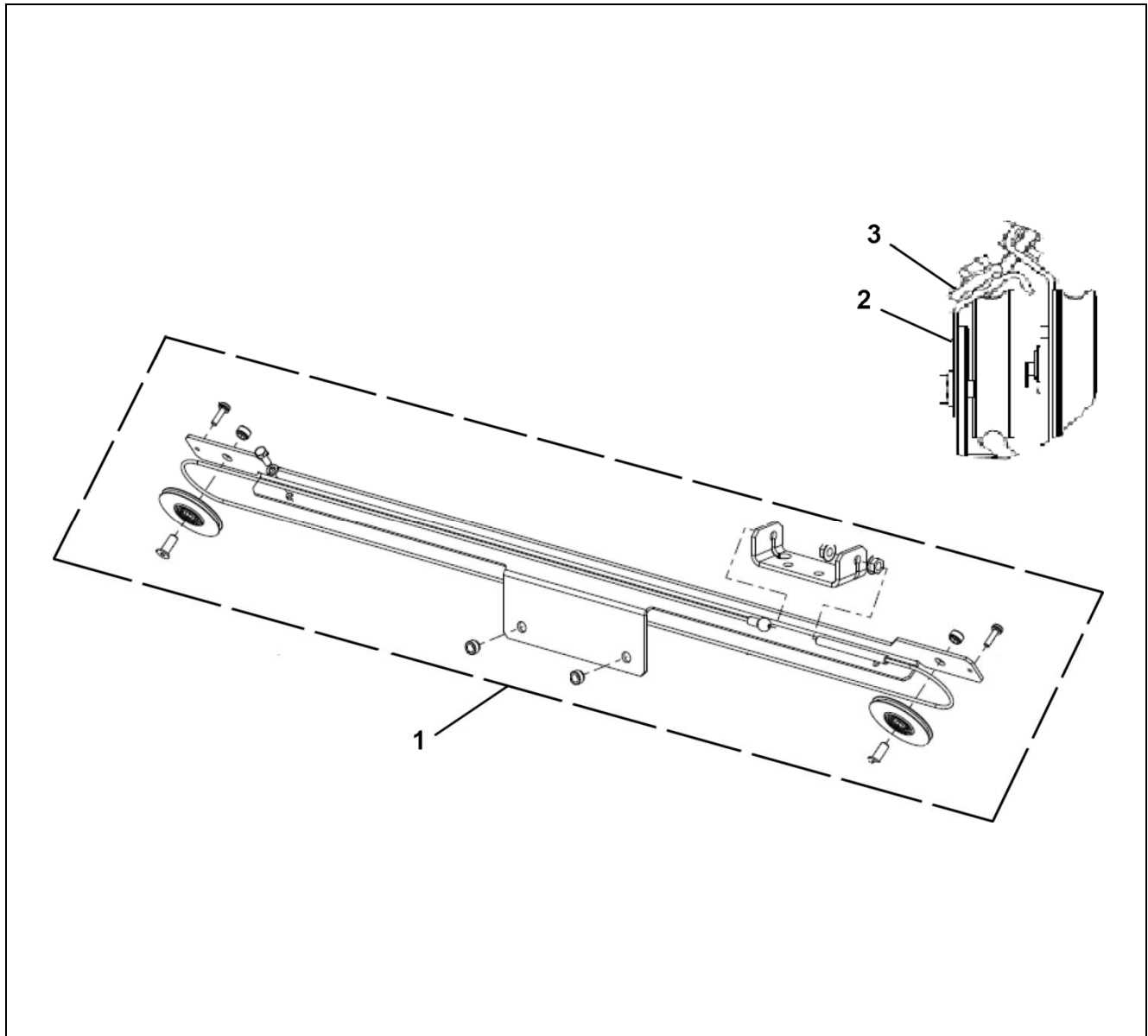


AAA24600E
AAA24600F
AAA24600G

REF. No.	PART No.	DESCRIPTION	ENTRANCE TYPE	ENTRANCE WIDTH (in.)	LENGTH (L) (mm)
1	AAA316HEB1	Bracket, Retaining	---	---	---
2	AAA389CV1	Hanger, Bracket, Type 1	C/O	42	543.5
	AAA389CV2			48	619.5
	AAA389CV3		S/S	36	946
	AAA389CV4			42	1099
	AAA389CV5		2/S	48	631.5
	AAA389CV6			54	708
	AAA389CV7	Hanger, Bracket, Type 2	C/O	42	543.5
	AAA389CV8			48	619.5
	AAA389CV9		S/S	36	946
	AAA389CV10			42	1099
	AAA389CV11		2/S	48	631.5
	AAA389CV12			54	708
3	AAA347BFV6	Gusset, Type 2 only	---	---	---
4	AAA456ZB1	Roller, Top 2-5/8 in OD	---	---	---
5	AAA456YZ1	Roller, Upthrust	---	---	---

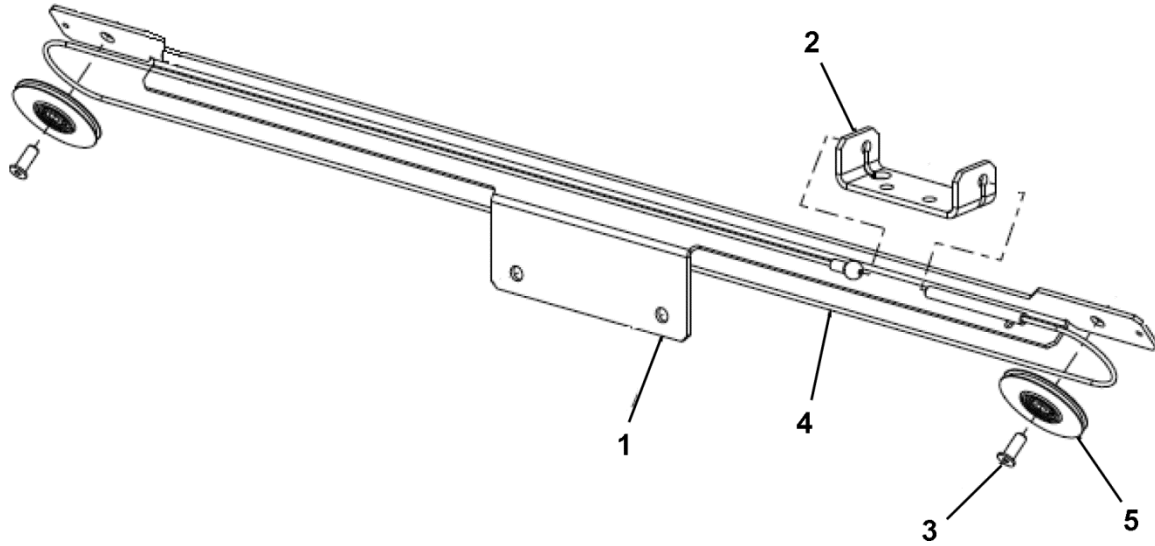


AAA24600E				
REF. No.	PART No.	DESCRIPTION	L (mm)	ENTRANCE WIDTH (in.)
1	AAA712AD2	Assembly, Aircord/Cable, Otis and Vendor Doors	4538	42
	AAA712AD4		5145	48
	AAA712AD10	Assembly, Aircord/Cable, Otis Doors	4423	42
	AAA712AD12		5031	48
2	AAA316HWC2	Bracket, Aircord	---	---
3	AAA336NJ1	Clamp, Aircord	---	---
4	AAA386MMB1	Plate, Aircord	---	---
5	FAA198V1	Pulley	---	---
6	AAA65KT2	Screw, Special M8 x 1.25 x 20	---	---



REF. No.	PART No.	DESCRIPTION	HAND	ENTRANCE WIDTH (in.)
	AAA24600G			
1	AAA24660L1	Assembly, Relator	RH	48
	AAA24660L2		LH	
	AAA24660L3		RH	54
	AAA24660L4		LH	
2	AAA316HWP1	Bracket	---	---
3	AAA336NJ1	Clamp, Aircord	---	---

(Continued on Next Page)



AAA24600G			
REF. No.	PART No.	DESCRIPTION	ENTRANCE WIDTH (in.)
1	AAA316HWM1	Bracket	48
	AAA316HWM2		54
2	AAA316HWN1	Bracket	---
3	AAA65KT2	Bolt, M8, Low Profile	---
4	AAA712AD6	Cable, Relator	48
	AAA712AD8		54
5	FAA198V1	Pulley	---