

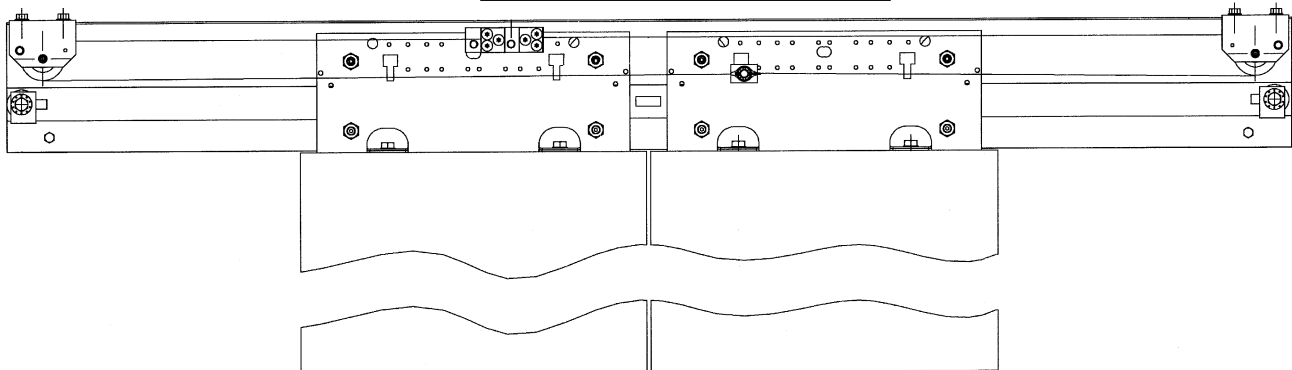
**Applied Car Door Hanger &  
Track Assemblies for  
Vendor Cab**

**Spare Parts Leaflet**

**19-AAA6178CT**

February 17, 2021 / Page 1 of 10

19	R-AAA6178CT
19	R-AAA6178CV
19	R-AAA6178CX



**Center-Opening  
System Shown**

**OTIS**

This document does not contain any  
technical data subject to EAR or ITAR

**SERVICE ENGINEERING  
Otis Elevator Company  
Bloomfield, Connecticut USA**

Unpublished Work—© Otis Elevator Co.; 2021

**Leaflet Description**

This leaflet provides spare parts information for types AAA6178CT/CV/CX applied car door hanger and track assemblies.

**Leaflet Revisions**

<b>Date Revised</b>	<b>Subject Matter Expert</b>	<b>Reason for Revision</b>
August 1, 2001	Duane Stupienski	New leaflet
January 31, 2002	Duane Stupienski	Remove the pin marking 'M' on p. 9
February 17, 2021	Pete Kelley	Added Refresh Kit Part Numbers

**Related Drawings**

<b>Drawing No.</b>
AAA6178CT
AAA6178CV
AAA6178CX

**Related Documents**

<b>Document ID</b>	<b>Title</b>
19-6178CA	Integral Hanger Car Door Systems, Center-Opening, Single-Slide, & Two-Speed
19-6178CH	Applied Hanger Car Door Systems
19-AAA6178CS	Integral Car Door Hanger & Track Assembly
TIP 21.2-4	Replacements for 456CX4 Door Hanger Roller
TIP 23.3-3	Door Hanger Roller—Roller Profile Squeaking Roller Problem
TIP 21.2-5	Aircord Drive Sheave Replacement

**Subject Matter Expert**

<b>Name</b>	<b>Department</b>
Pete Kelley	OSC Service Engineering

**About Spare Parts Leaflets...**

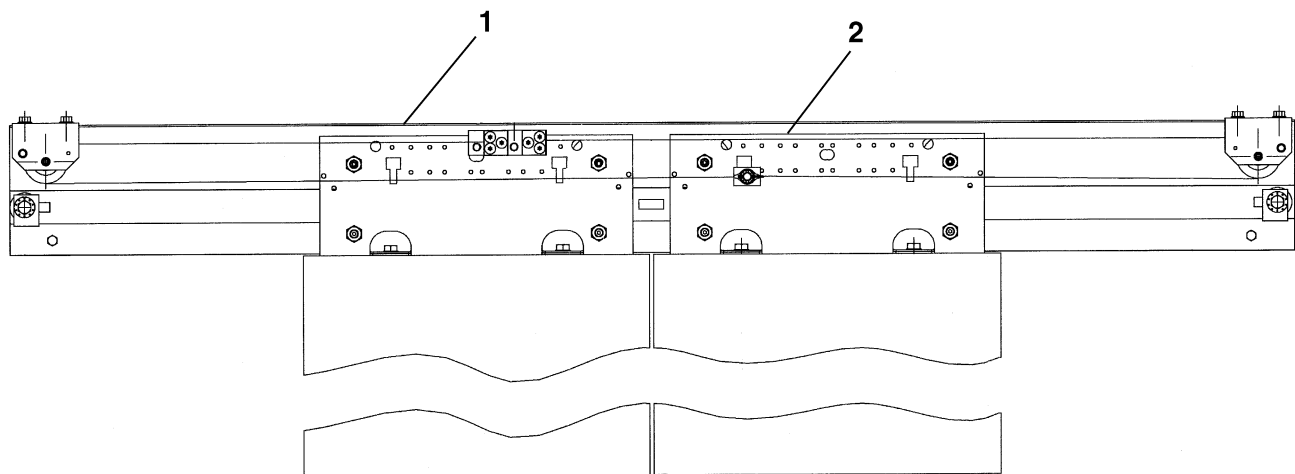
This document lists the lowest replaceable units (LRUs) for the standard version of the product. The LRUs are chosen by a team of Otis associates representing engineering and manufacturing.

While goal of this document is to make parts identification as easy as possible, the document cannot be all-inclusive. Elevator and escalator contracts classified as “special” or “custom” are not addressed here. For such contracts, please refer to specified information, the contract folder, TIPs, Field Education Articles, Construction Letters, etc. for further information.





If you have any suggestions about this document, please contact the subject matter expert listed on this page.

# Type AAA6178CT/CV Center-Opening & Single-Slide Applied Car Door Hanger & Track Components

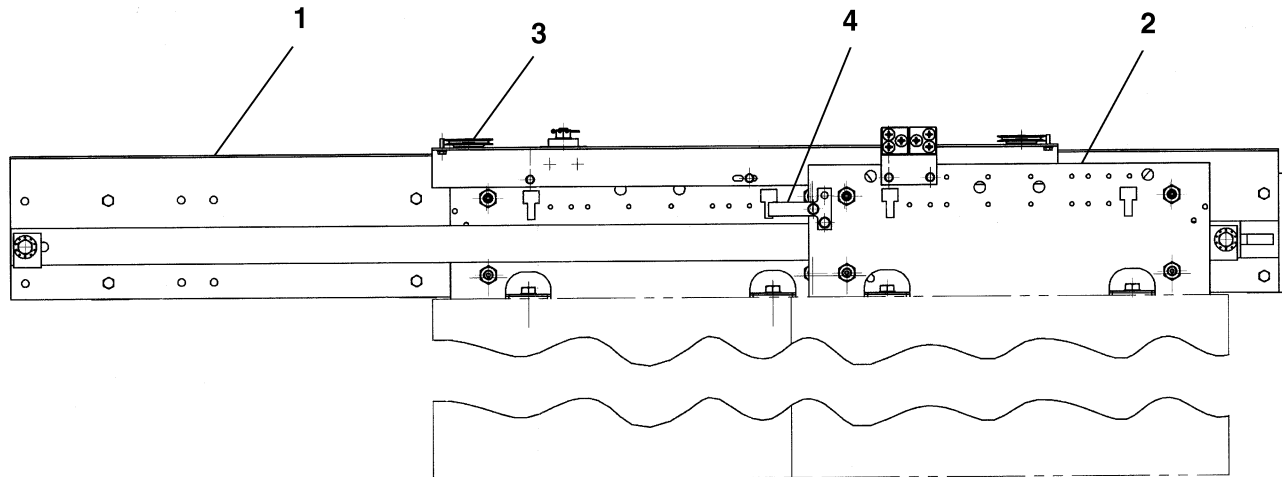
**19-AAA6178CT**






**Center-Opening System Shown**

<b>REF. NO.</b>	<b>PAGE</b>	<b>DESCRIPTION</b>
1	 p. 5	Center-Opening Header/Track Assembly
	 p. 6	Single-Slide Header/Track Assembly
---	 p. 7	Center-Opening & Single-Slide Header/Track Components
2	 p. 9	Applied Door Hanger Assembly

# 19-AAA6178CT Type AAA6178CX Two-Speed Applied Car Door Hanger & Track Components

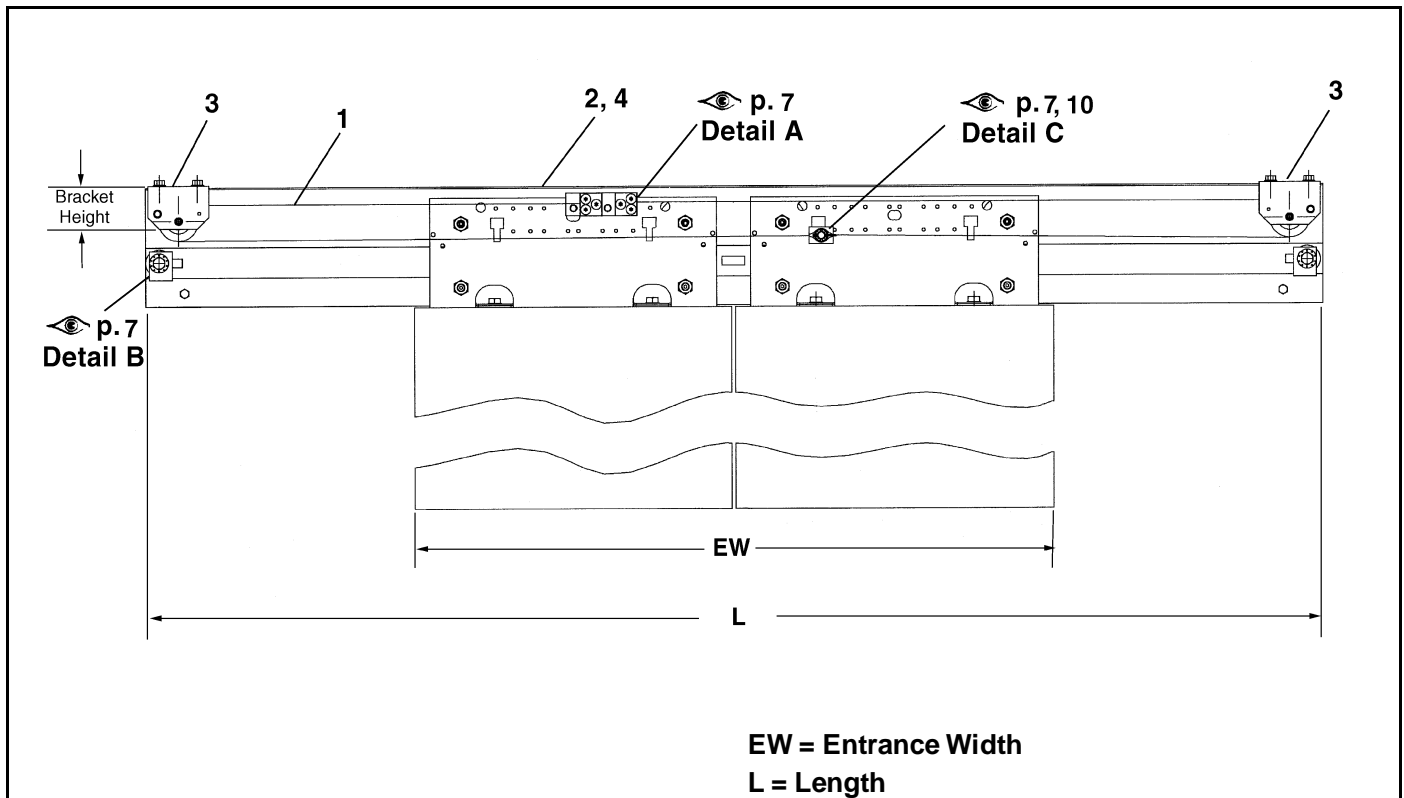


Two-Speed System Shown

REF. NO.	PAGE PART or ML	DESCRIPTION
1	 p. 8	Assembly, Two-Speed Header/Track
2	 p. 9	Assembly, Applied Door Hanger
3	 p. 10	Assembly, Two-Speed Aircord Drive
4	AAA316GAQ1	Bracket, Safety—Door Drag

# Type AAA6178CT Center-Opening Header/Track Assembly

**19-AAA6178CT**



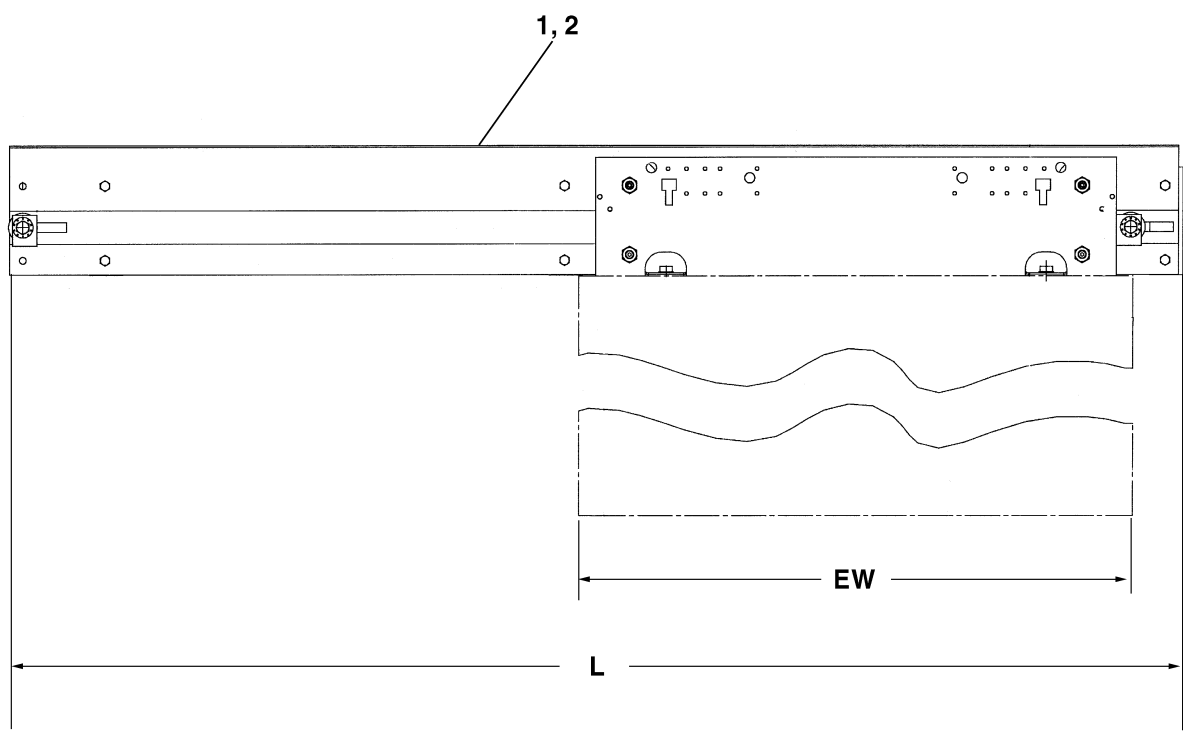
AAA6178CT							
REF. NO.	PART or ML	DESCRIPTION	L (in.)	EW (in.)			
1	174AS34	Aircord	115	36			
	174AS38		188	42			
	174AS39		212	48			
	174AS995	Aircord, <table border="1" style="display: inline-table; vertical-align: middle;"><tr><td>ORDER</td></tr><tr><td> </td></tr><tr><td> </td></tr></table> Per Foot to Suit Field Specifications	ORDER			Variable	Variable
ORDER							
2*	AAA483WS2	Assembly, Header/Track, Center-Opening Door, w/Bumper, w/o Pulleys	77.3	36			
	AAA483WS4	Assembly, Header/Track, Center-Opening Door, w/ Bumper, w/o Pulleys	89.3	42			
	AAA483WS6	Assembly, Header/Track, Center-Opening Door, w/ Bumper, w/o Pulleys	101.3	48			
3	AAA316FWQ2	Bracket, Sheave, Center-Opening Track, 2.81 in. H	---	---			
**	AAA24430AT9	Kit, Refresh. Includes: Aircord, Hanger & Upthrust Rollers, Gibs, Pulley Brackets	---	---			
4	1S-50AKL-106	Track, Shape Only (field to cut & drill as needed), If Specific Track is Desired, <table border="1" style="display: inline-table; vertical-align: middle;"><tr><td>ORDER</td></tr><tr><td> </td></tr><tr><td> </td></tr></table> Ref. 2	ORDER			106	---
ORDER							

\* For tracks outside of standard parameters, contact OSC w/ contract information and reference AAA483WS.

\*\* Not Shown

**19-AAA6178CT**

## Type AAA6178CV Single-Slide Header/Track Assembly



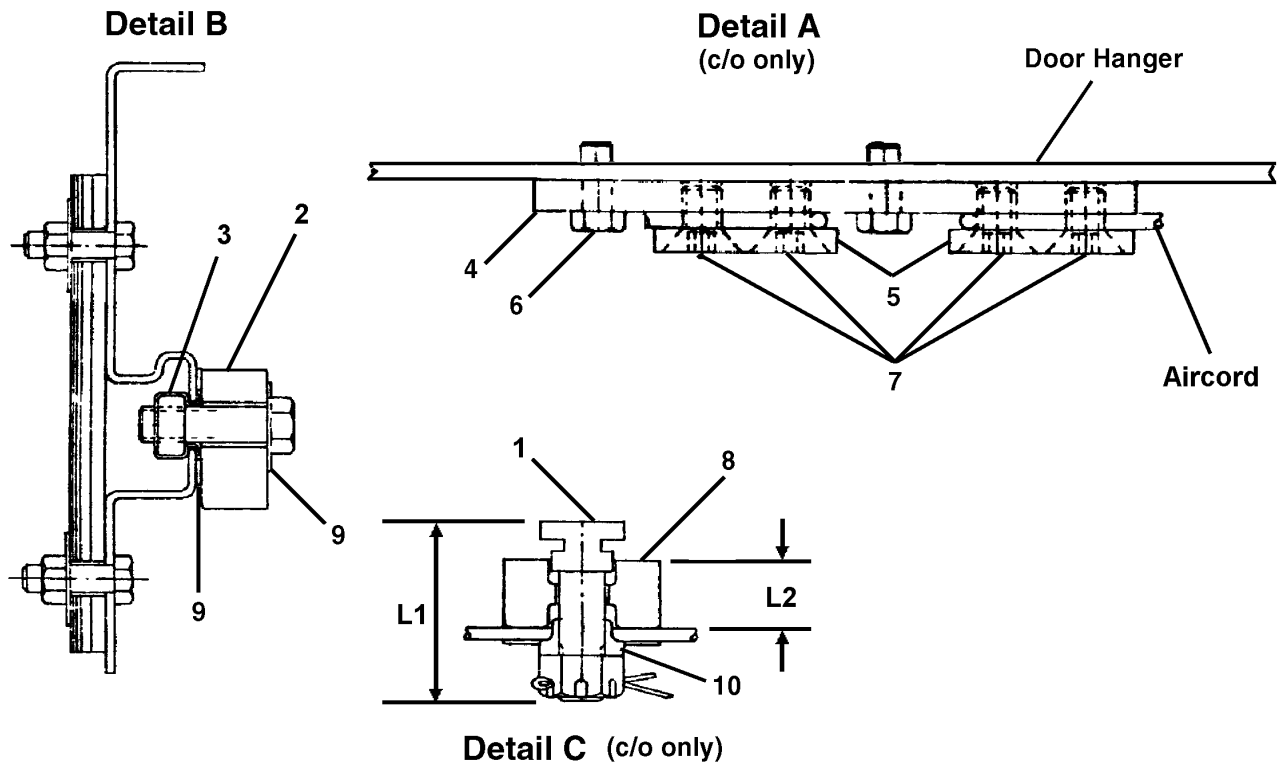
**EW = Entrance Width**  
**L = Length**

	<b>AAA6178CV</b>						
<b>REF. NO.</b>	<b>PART or ML</b>	<b>DESCRIPTION</b>	<b>L (in.)</b>	<b>EW (in.)</b>			
1	AAA483WT2	Assembly, Header/Track, Single-Slide Door, w/ Bumpers and Hardware	70.7	32			
	AAA483WT4		78.7	36			
	AAA483WT6		90.7	42			
*	AAA24430AT8	Kit, Refresh. Includes: Hanger & Upthrust Rollers, Gibs, Bumpers	---	---			
2	1S-50AKL-106	Track, Shape Only (field to cut & drill as needed), If Specific Track is Desired, <table border="1" style="display: inline-table; vertical-align: middle;"><tr><td style="text-align: center;">ORDER</td></tr><tr><td> </td></tr><tr><td> </td></tr></table> Ref. 1	ORDER			106	---
ORDER							

\* Not Shown

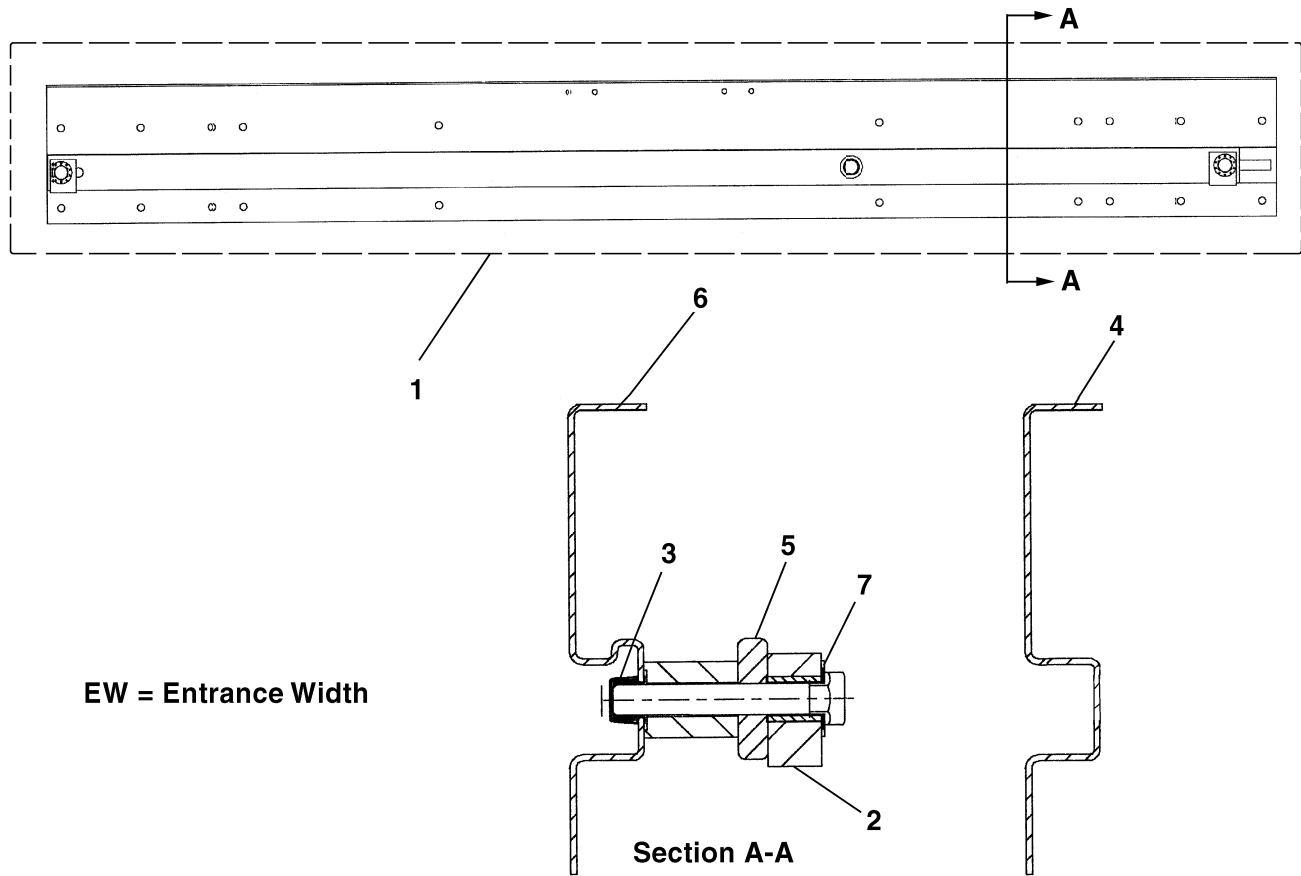
# Center-Opening & Single-Slide Header/Track Components

**19-AAA6178CT**



AAA6178CT AAA6178CV		
REF. NO.	PART or ML	DESCRIPTION
1	65CN2	Bolt, Slotted Hanger, 1.31 in. L1
2	320AB8	Bumper, Rubber
3	72DJ2	Nut, Grip
4	386BKM1	Plate, Hitch
5	386AKS1	Plate, Clamp (two used per assembly)
6	109P2	Screw
7*	---	Screw, Flat Head, Hex Socket, 5/16-18 x 1/2 in.
8	231F1	Socket, Rope, 0.42 in. L2
9	130J11	Washer, Lock, Internal-External
10	133BC1	Washer, Spring Seat

\* Purchase Locally

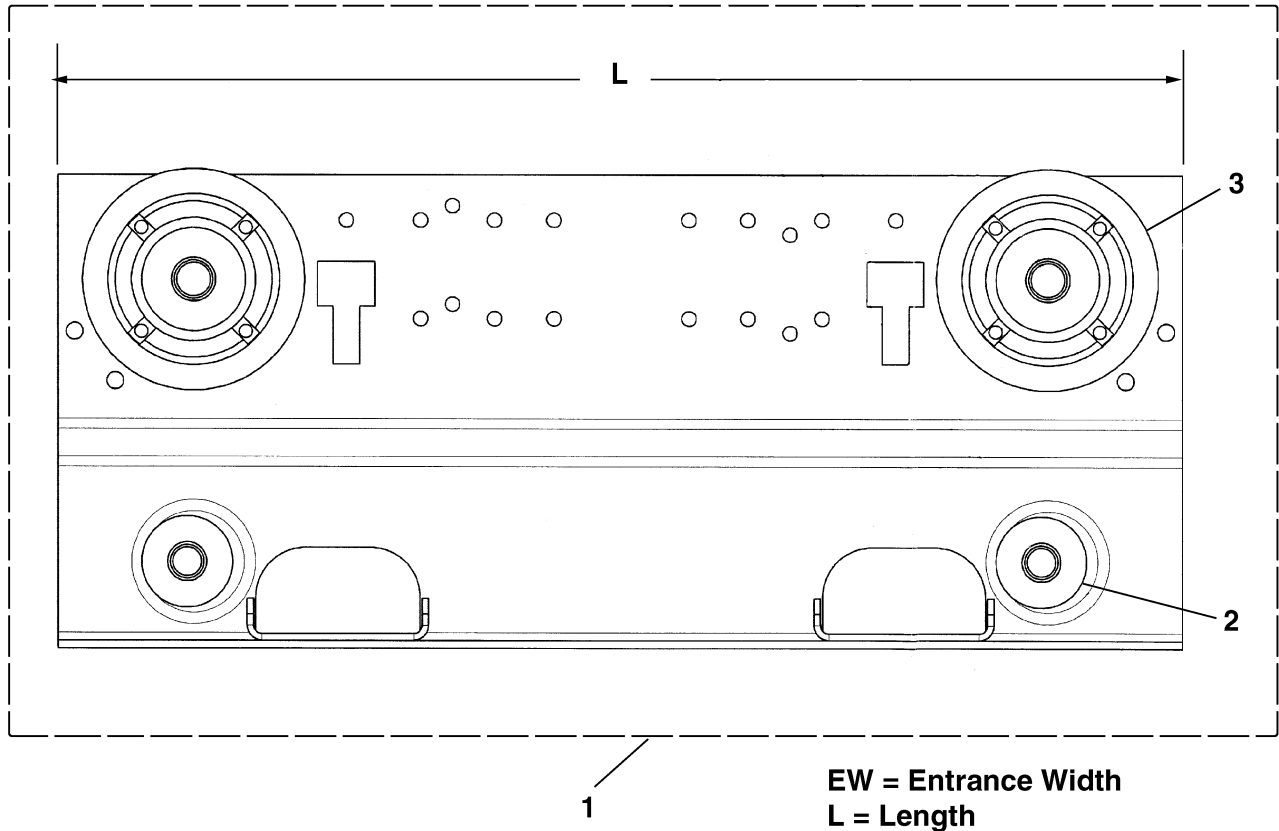


**NOTE:** For other than standard tracks (Ref. 1), consult contract records.

<b>AAA6178CX</b>			
<b>REF. NO.</b>	<b>PART or ML</b>	<b>DESCRIPTION</b>	<b>EW (in.)</b>
1	AAA483WU2	Assembly, Header/Track, Two-Speed	42
	AAA483WU4	Assembly, Header/Track, Two-Speed	48
	AAA483WU6	Assembly, Header/Track, Two-Speed	54
2	320AB8	Bumper	---
*	AAA24430AT10	Kit, Refresh. Includes: Hanger & Upthrust Rollers, Gibs, Bumpers	---
3	72DJ2	Nut, Grip	---
4	AAA50ATN-106	Shape, Header, w/o Track (used for non-standard entrances)	---
5	50ADF1-162	Track, Fast, 162 in. L (shape only—field to cut & drill to suit)	---
	483RL2	Track, Fast, 67.2 in. L	42
	483RL1	Track, Fast, 76.2 in. L	48
	483RL3	Track, Fast, 85.2 in. L	54
6	1S-50AKL-106	Track, Slow, 106 in. L (formed header, shape only—field to cut and drill to suit)	
7	130J11	Washer, Lock, Internal-External	

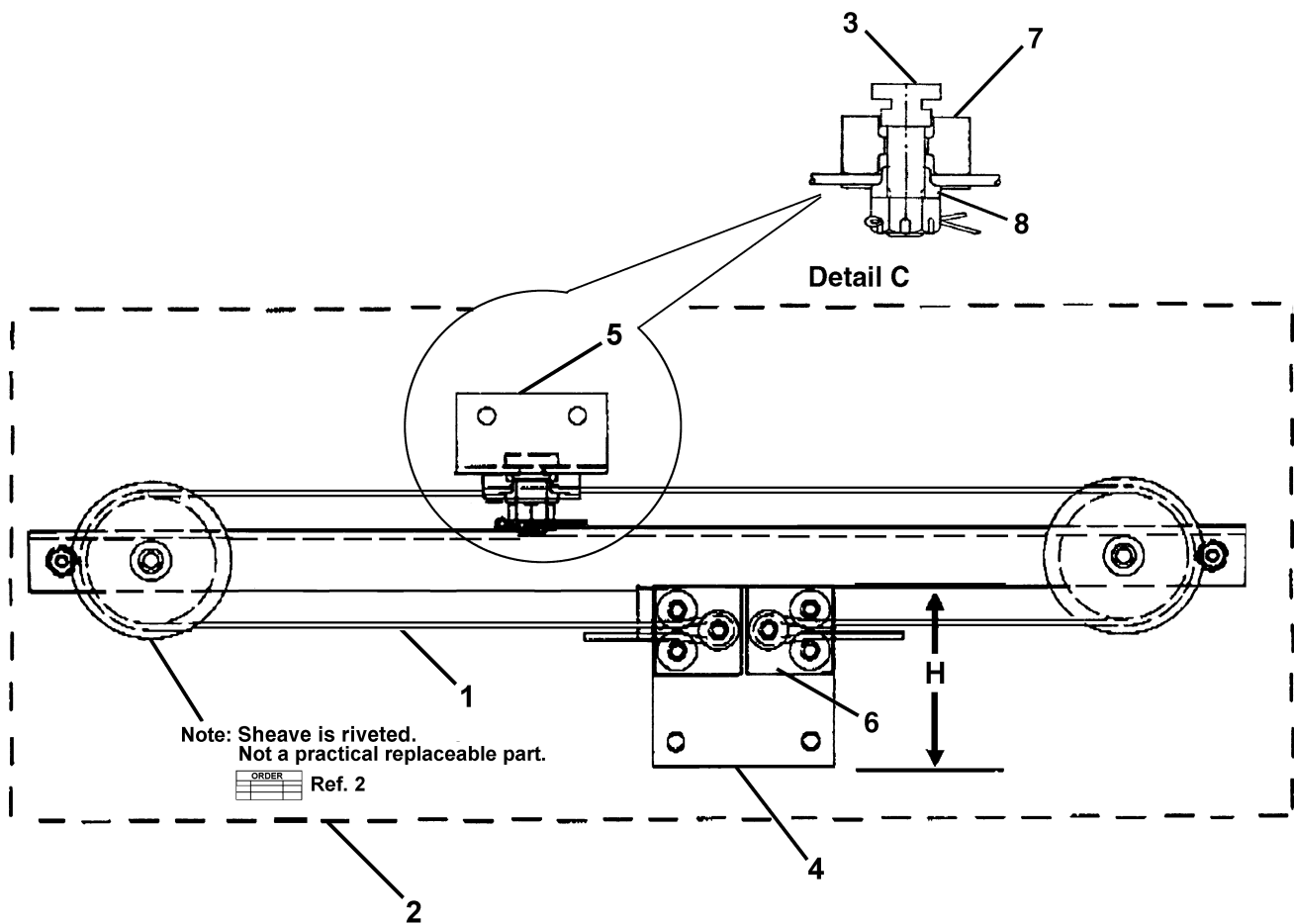
\* Not Shown





W/O VINTAGE				
REF. NO.	PART or ML	DESCRIPTION	EW (in.)	L (mm)
1	AAA6331CH1	Assembly, Hanger, Center-Opening	36	435
	AAA6331CH2		42	511
	AAA6331CH3		48	587
	AAA6331CH5	Assembly, Hanger, Single-Slide	32	800
	AAA6331CH6		36	902
	AAA6331CH7		42	1054
	AAA6331CH2	Assembly, Hanger, Two-Speed	42	511
	AAA6331CH3		48	587
	AAA6331CH4		54	663
2	AAA456XZ5	Pin, Eccentric, w/ Metric Threads & w/ Yellow Chromate Pin Color,  Nut and Washer,  Note		
3	AAA456YA3	Roller Kit, Door, w/ Metric Threads & w/ Yellow Chromate Pin Color,  Nut and Washer,  Note		

**NOTE:** To distinguish earlier vintage rollers with imperial threaded pins used on earlier door systems from these metric rollers, note the yellow plating on the pins within these metric rollers.



REF. NO.	W/O VINTAGE		L (in.)	EW (in.)
	PART or ML	DESCRIPTION		
1	174AS1	Aircord	74	42
	174AS2		83	48
	174AS36		90	54
	174AS995		---	---
2	6178CG4	Assembly, Aircord, Complete	34.2	42
	6178CG5	Assembly, Aircord, Complete	37.2	48
	6178CG6	Assembly, Aircord, Complete	40.2	54
3	65CN2	Bolt, T-Slotted	---	---
4	316DEV2	Bracket, 3.08 in. H	---	---
5	316CTF2	Bracket	---	---
6	386AKS1	Plate, Clamp	---	---
7	231F1	Socket, Rope	---	---
8	133BC1	Washer, Spring Seat	---	---