

LAMBDA 950[®] Detector

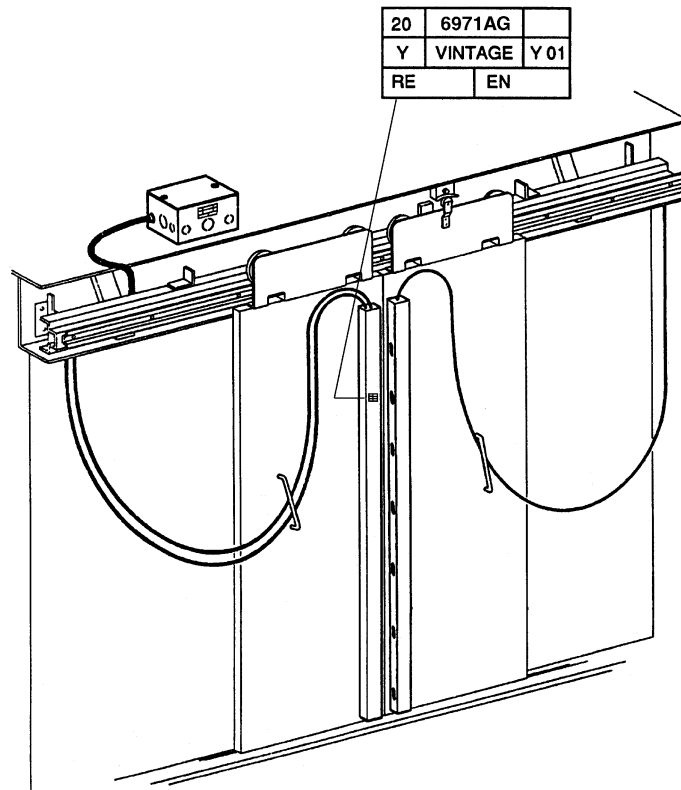
Spare Parts Leaflet

20-6971AG

September 28, 2022 / Page 1 of 1

OBSOLESCENCE NOTICE

The product covered in this SPL has been designated as obsolete and is no longer supported. See TIP 32.2-1, *Obsolete Components*, for potential upgrade. Replacement lower-level parts listed within and unique to this design will be reviewed for obsolescence.



All parts formerly listed in this SPL are no longer available due to component obsolescence.

To order a complete LAMBDA[®] detector, please refer to SPL 20-AAA24591T, *Door Detector LAMBDA[®] III Emitter, Detector, and Controller*

OTIS

This document does not contain any technical data subject to EAR or ITAR

SERVICE ENGINEERING

Otis Elevator Company

Bloomfield, Connecticut USA

Unpublished Work—© Otis Elevator Co.; 2022