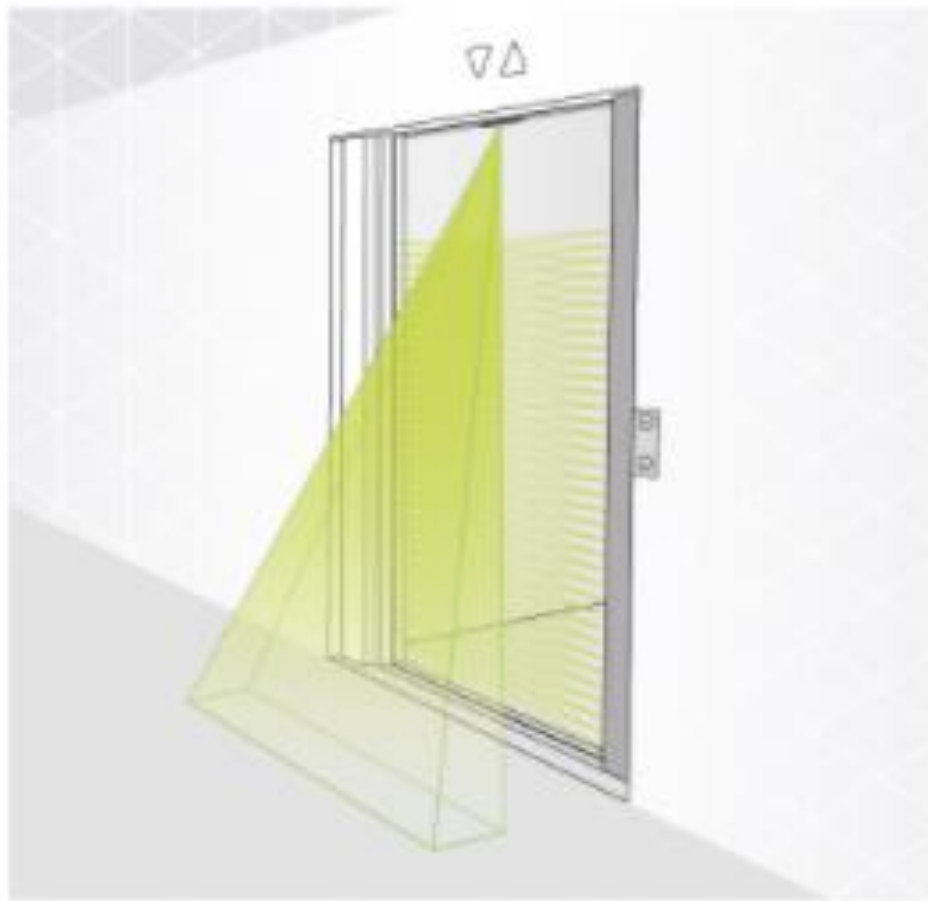


**3D Light Curtain,
CabSafe™**

Spare Parts Leaflet

20-AAA24591AP

July 28, 2021 / Page 1 of 7



OTIS

This document does not contain any
technical data subject to EAR or ITAR

SERVICE ENGINEERING
Otis Elevator Company
Bloomfield, Connecticut USA

Unpublished Work—©Otis Elevator Co.; 2021

Leaflet Description

This leaflet covers all OSC-supported replacement parts for the CabSafe™ Light Ray Device.

Leaflet Revisions

Date Revised	Subject Matter Expert	Reason for Revision
March 10, 2021	Jim Harte	New SPL
July 28, 2021	Greg O'Seep	Added Open Order and Modernization Arrangements

Related Drawings

Drawing No.	Title	Drawing No.	Title
AAA24591AP	3D Light Ray Device	---	---
---	---	---	---

Related Documents

Document ID	Title
TIP 3.4.6-5	<i>OPTIGUARD Shield™ Installation Instructions</i>

Subject Matter Expert

Name	Department
Jim Harte	Florence New Equipment

About Spare Parts Leaflets...

This document lists the lowest replaceable units (LRUs) for the standard version of the product. The LRUs are chosen by a team of Otis associates representing engineering and manufacturing.

While goal of this document is to make parts identification as easy as possible, the document cannot be all-inclusive. Elevator and escalator contracts classified as “special” or “custom” are not addressed here. For such contracts, please refer to specified information, the contract folder, TIPs, Field Education Articles, Construction Letters, etc. for further information.

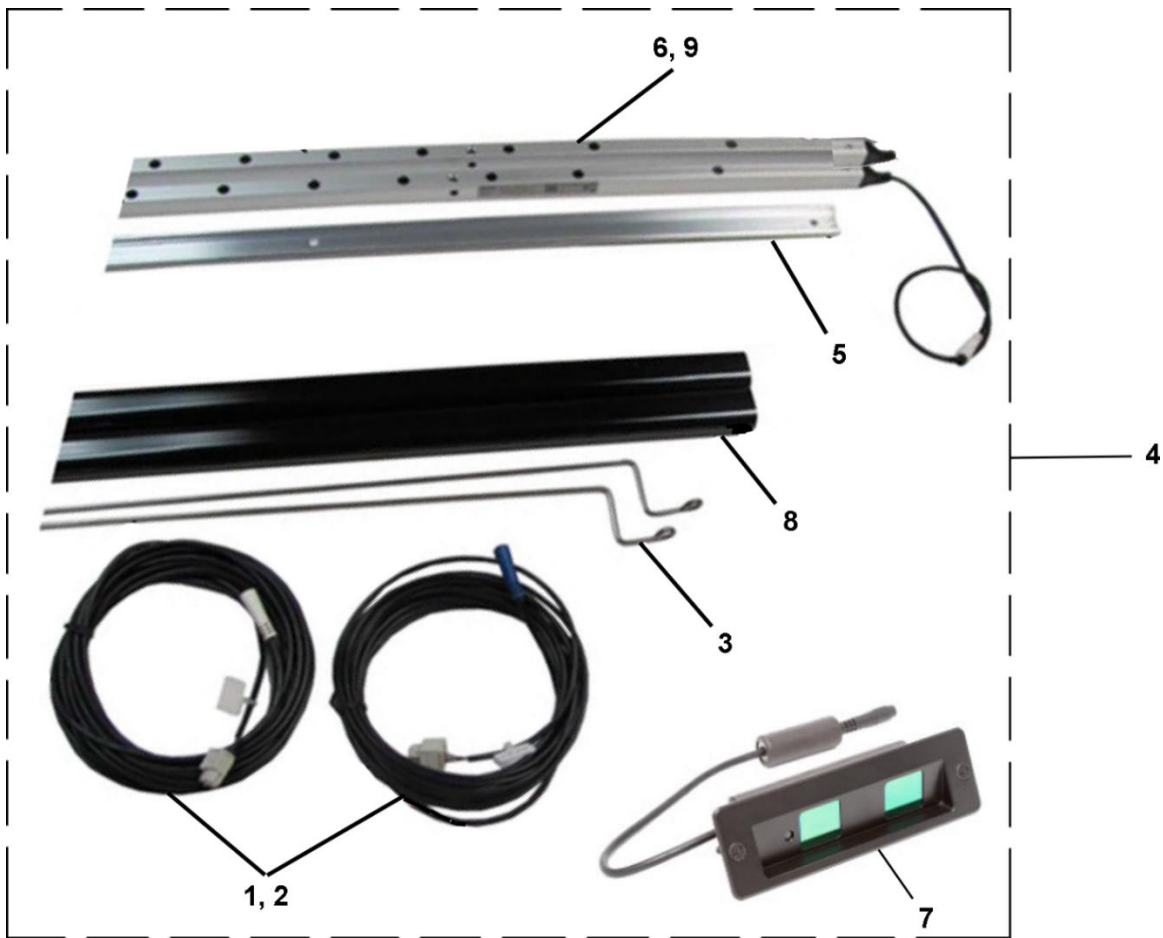
If you have any suggestions about this document, please contact the subject matter expert listed on this page.

Detector Assemblies

20-AAA24591AP

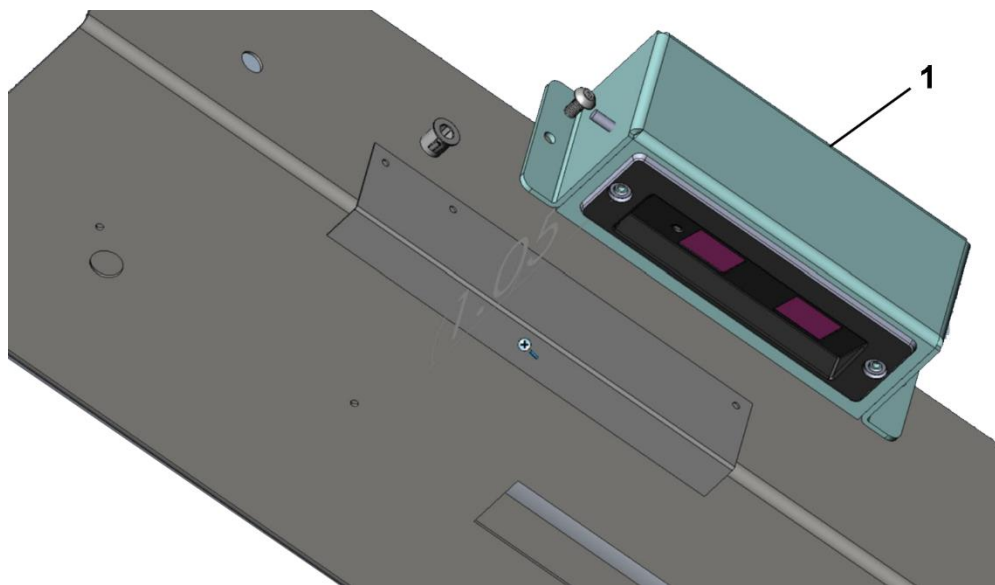
* Part not shown.

	W/O VINTAGE		
REF. No.	PART No.	DESCRIPTION	REMARKS
*	AAA24591AP402	Kit, Optiguard Shield, 2D Universal	Refer to TIP 3.4.6-5 for Kit Descriptions and Installation
*	AAA24591AP403	Kit, Optiguard Shield, 2D/3D Universal	
*	AAA24591AP404	Kit, Optiguard Shield, 3D Add On	
*	AAA24591AP405	Kit, Optiguard Shield, 2D Modernization	
*	AAA24591AP406	Kit, Optiguard Shield, 2D/3D Modernization	

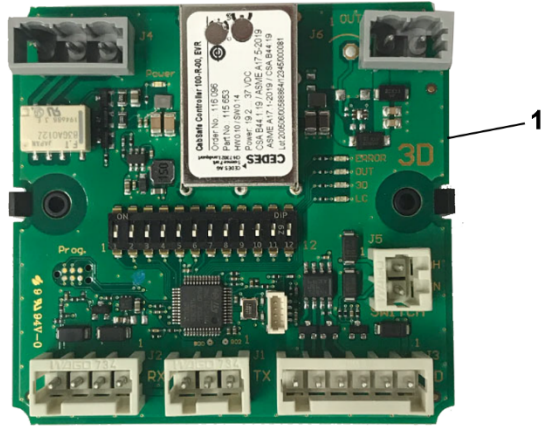


W/O VINTAGE			
REF. No.	PART No.	DESCRIPTION	REMARKS
*	AAA24591AP18	Cable, Extension 3D/Receiver, 3 m	---
*	AAA24591AM123	Cable, Extension Transmitter, 3 m	---
*	AAA24591AP17	Cable, 3D, 5 m	Included in AAA24591AP1, 402, 403, 405, 406
1	AAA24591AP16	Cable, Receiver, 5 m	
2	AAA24591AP15	Cable, Transmitter, 5 m	
3	AAA24591AM116	Guide, Cable	
4	AAA24591AP1	Kit, 3D Light Ray Device, New Equipment	---
*	AAA24591AP400	Kit, Hardware, 3D	Included in AAA24591AP1, 402, 403, 405, 406
5	AAA24591AM113	Mounting Profile, Anodized	
6	AAA24591AP12	Receiver	
7	AAA24591AP13	Sensor, Unit, 3D	
8	AAA24591AM112	Shield, Vision	
9	AAA24591AP11	Transmitter	

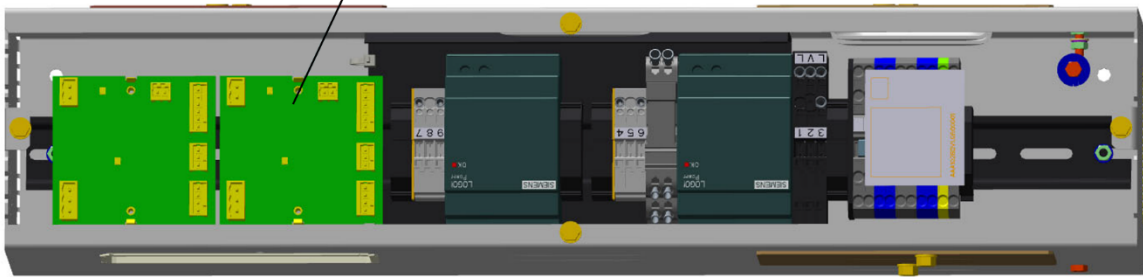
* Part not shown.



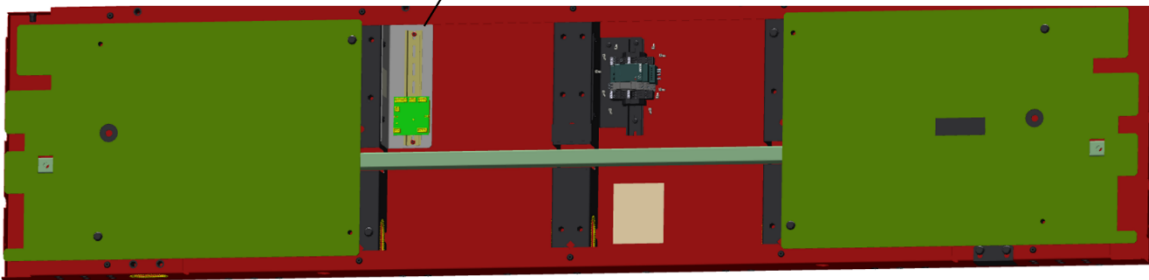
W/O VINTAGE			
REF. No.	PART No.	DESCRIPTION	REMARKS
1	AAA24591AP23	Box, CabSafe 3D Stainless Steel Mount Kit	Included in AAA24591AP1, 403, 404, 406



G20 – Cedes board located in top of car box



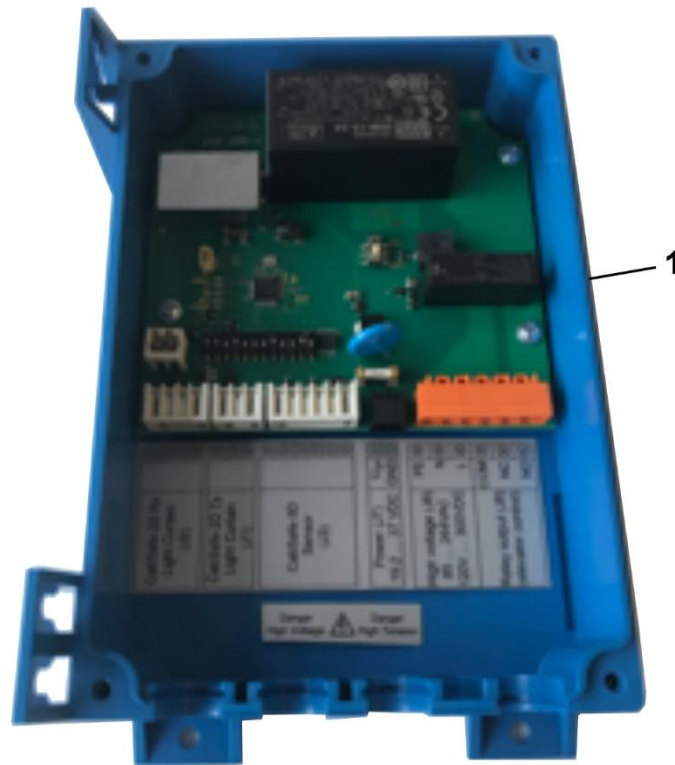
G2S and Hydro - Cedes board mounts in crosshead



W/O VINTAGE			
REF. No.	PART No.	DESCRIPTION	REMARKS
1	AAA24591AQ2	PCB, 3D Interface, w/ PCB Holder	Mounted within TOCIB (G20) Mounted within ceiling (G2S/HYD)

3D Interface PCB (Universal)

20-AAA24591AP



W/O VINTAGE			
REF. No.	PART No.	DESCRIPTION	REMARKS
1	AAA24591AP22	PCB, 3D Interface, Universal	Included in AAA24591AP402 & 403