

**Door Detector
LAMBDA II® (emitter,
detector, controller)**

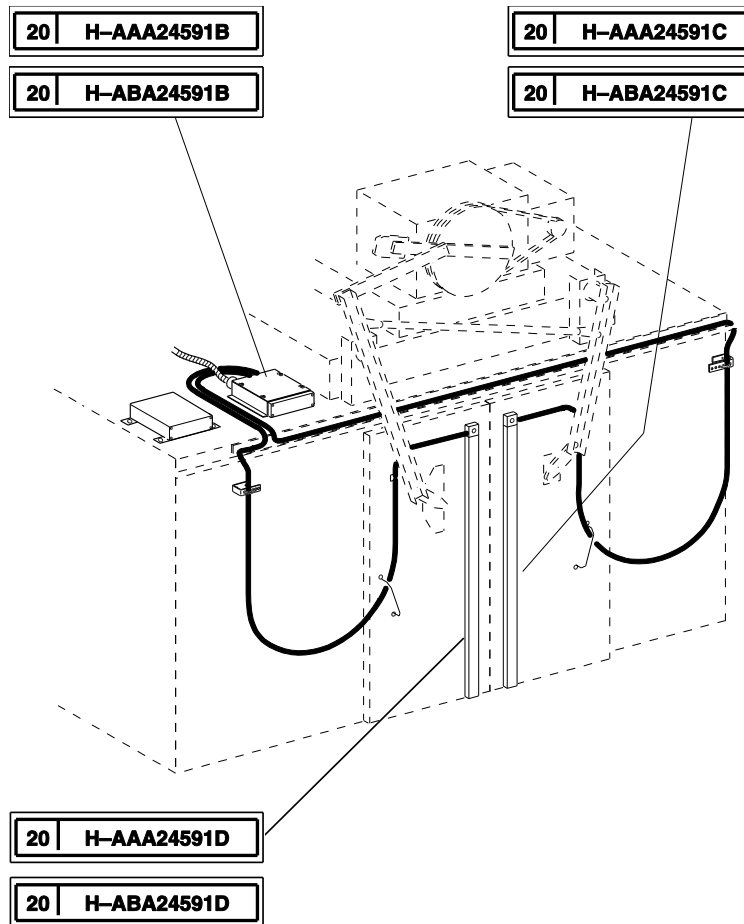
Spare Parts Leaflet

20-AAA24591B

September 21, 2022 / Page 1 of 11

OBSOLESCENCE NOTICE

The product covered in this SPL has been designated as obsolete and is no longer supported. See TIP 32.2-1, *Obsolete Components*, for potential upgrade. Replacement lower-level parts listed within and unique to this design will be reviewed for obsolescence.



OTIS

This document does not contain any technical data subject to EAR or ITAR.

SERVICE ENGINEERING

Otis Elevator Company

Bloomfield, Connecticut USA

Unpublished Work—© Otis Elevator Co.; 2022

Leaflet Description

This leaflet provides parts information on LAMBDA II® door detector assemblies AAA24591B and ABA24591B.

NOTE: LAMBDA II® is now obsolete and no longer available for upgrade and retrofit. LAMBDA® III should be used for all new application. However, the LAMBDA II controller PCB and its respective emitter and detector assemblies will be available as spare parts. Refer to SPL 20-AAA23591T for selection of available spares.

Leaflet Revisions

Date Revised	Subject Matter Expert	Reason for Revision
March 1996	---	New SPL
June 1997	Jeff Smith	---
February 10, 2009	Sohaib Shaikh	Reorganized the layout; removed obsolete parts; added AAA7416BG1.
September 21, 2022	Juan Murillo	Updated to include OBSOLESCENCE note on cover

Related Drawings

Drawing No.	Title	Drawing No.	Title
AAA24591B	Assembly, Door Detector Controller	ABA24591B	Assembly, Lambda II Door Detector Controller
---	---	---	---

Related Documents

Document ID	Title
SPL 20-AAA23591T	Door Detector, LAMBDA® III (emitter, detector, and controller)
TIP 3.4.4-8	Installing LAMBDA® III Power Supply on MRVF
TIP 3.4.4-12	LAMBDA II® Obsolescence and Replacement with LAMBDA® III

Subject Matter Expert

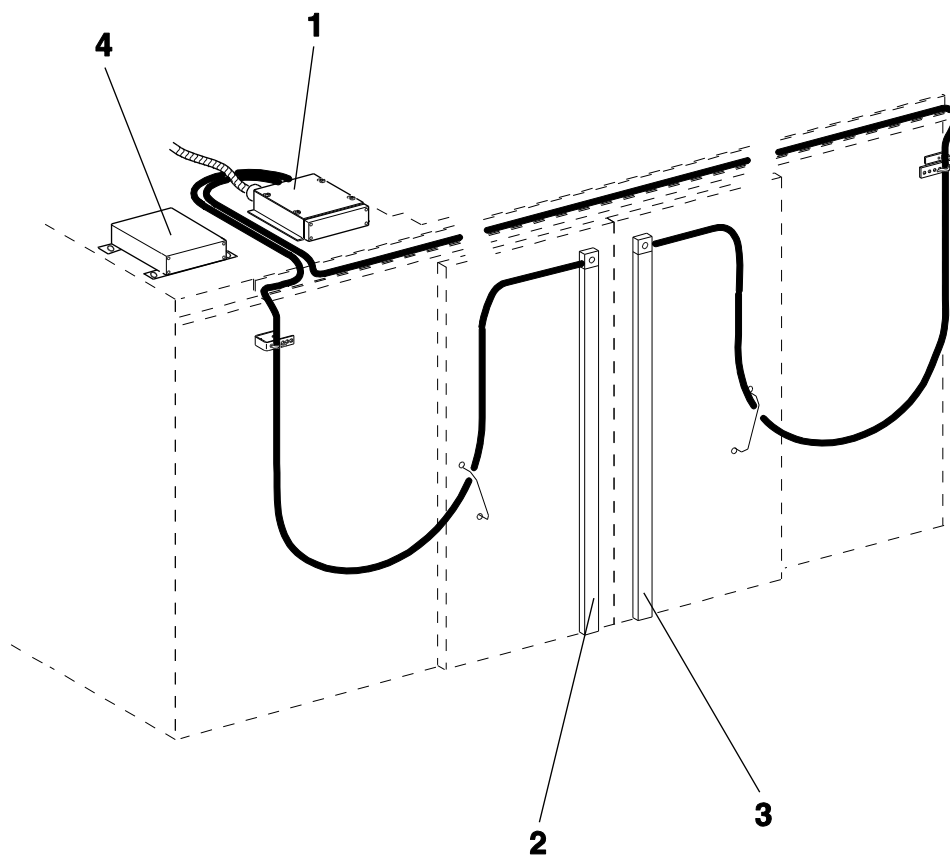
Name	Department
Sohaib Shaikh	OSC Service Engineering

About Spare Parts Leaflets...

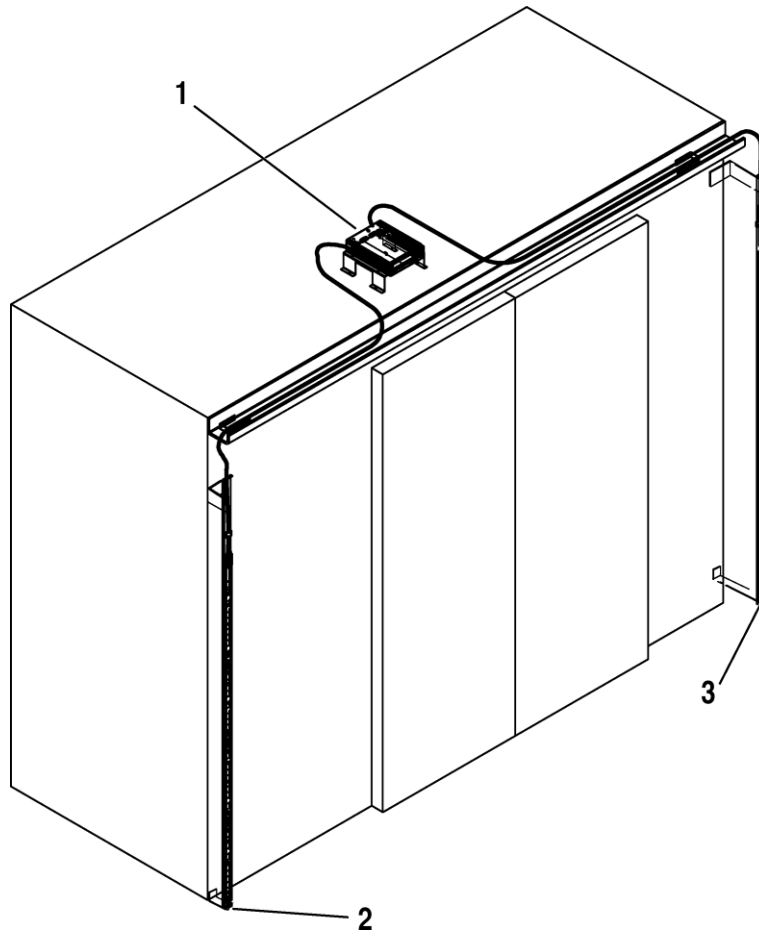
This document lists the lowest replaceable units (LRUs) for the standard version of the product. The LRUs are chosen by a team of Otis associates representing engineering and manufacturing.

While goal of this document is to make parts identification as easy as possible, the document cannot be all-inclusive. Elevator and escalator contracts classified as "special" or "custom" are not addressed here. For such contracts, please refer to specified information, the contract folder, TIPs, Field Education Articles, Construction Letters, etc. for further information.

If you have any suggestions about this document, please contact the subject matter expert listed on this page.



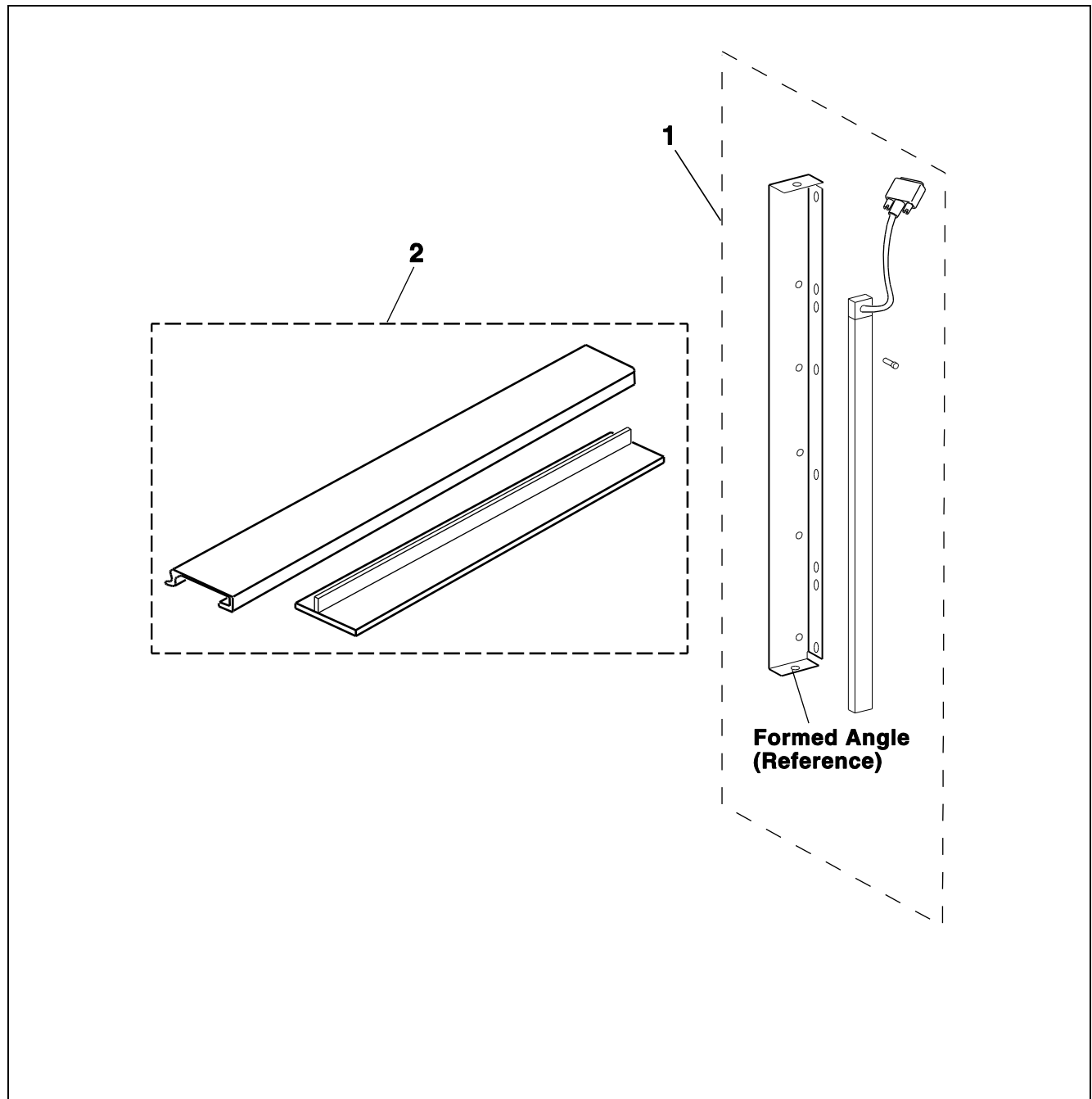
REF. No.	DESCRIPTION	PAGE No.
1	Lambda II Controller, Standard Mount	7
2	Lambda II Detector, Standard Mount	6
3	Lambda II Emitter, Standard Mount	5
4	MRVF Power Supply	11



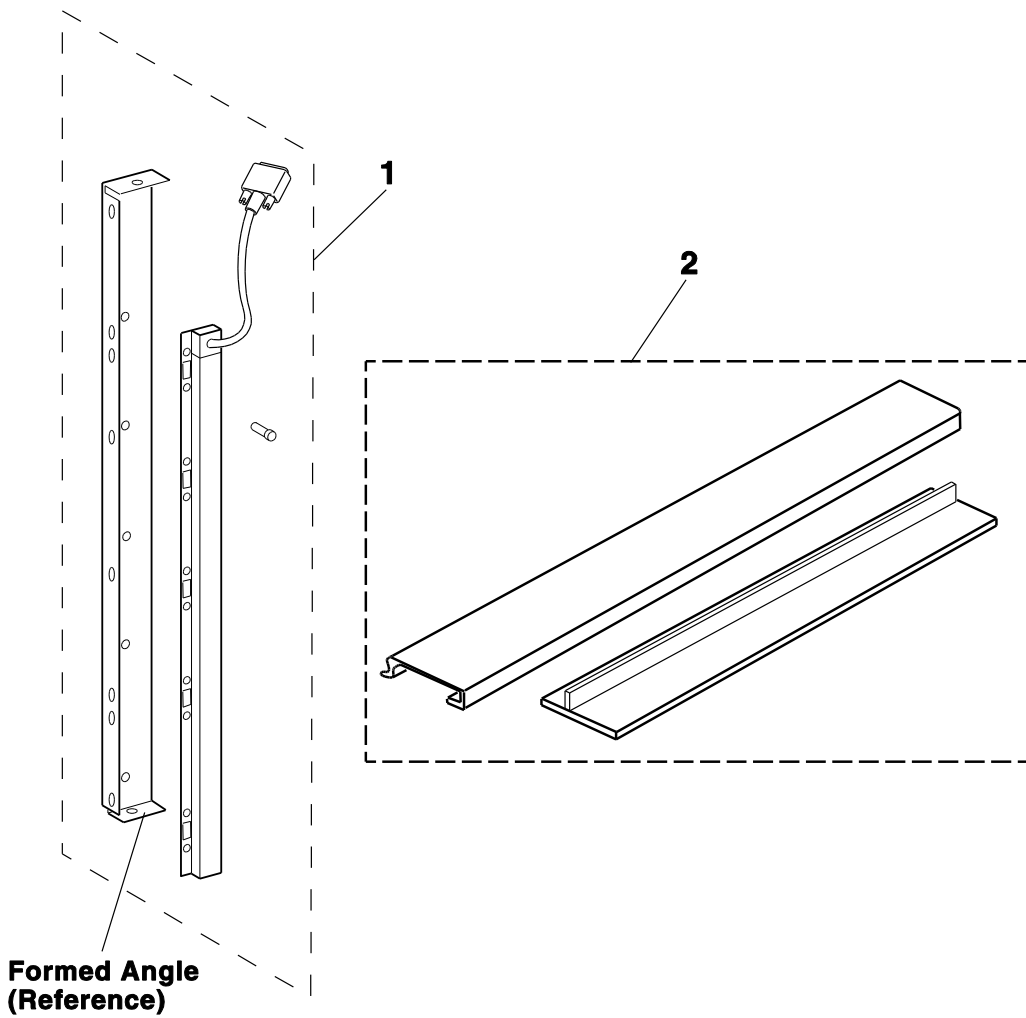
REF. No.	DESCRIPTION	PAGE No.
1	Lambda II Controller, Fixed Mount	7
2	Lambda II Detector, Fixed Mount	6
3	Lambda II Emitter, Fixed Mount	5

Door Emitter Assembly

20-AAA24591B



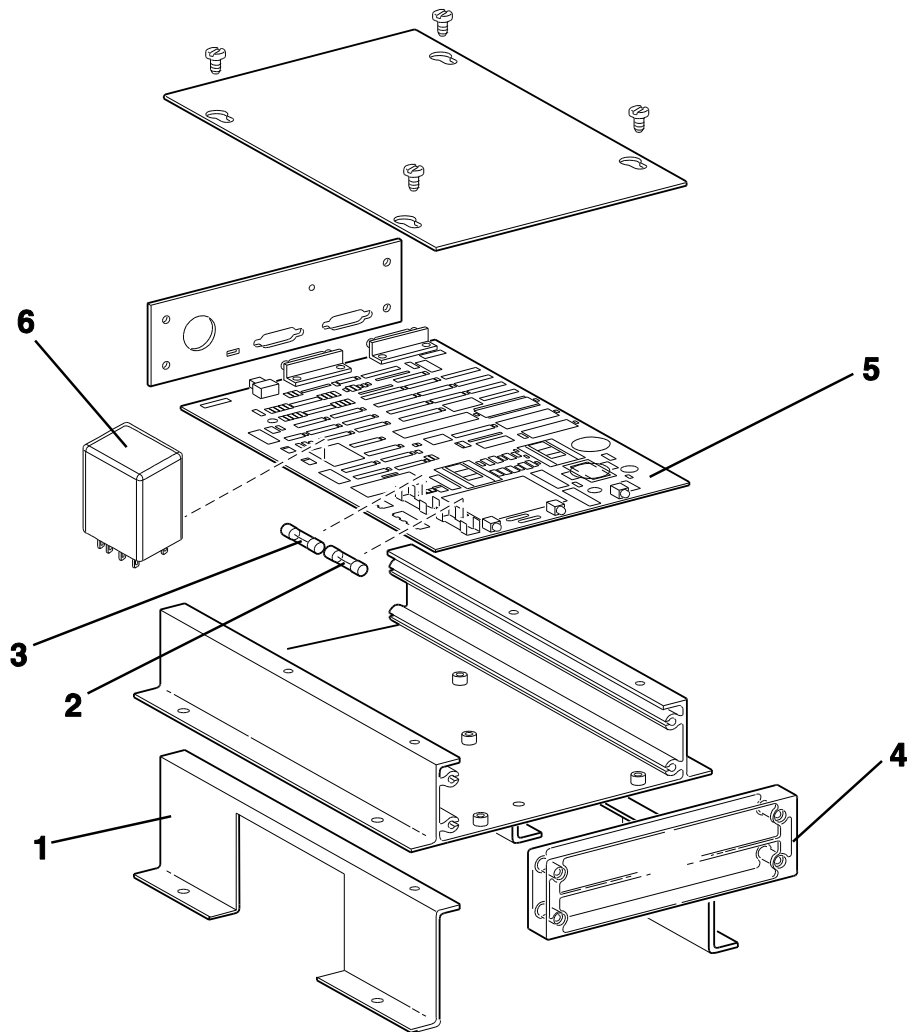
AAA24591C ABA24591C		
REF. No.	PART No.	DESCRIPTION
1	ABA24591C1	Assembly, Emitter, Standard Mount, w/o Formed Angle
	ABA24591C2	Assembly, Emitter, Fixed Mount, w/Formed Angle
2	AAA24591F1	Assembly, Extension (consisting of lens & box)



REF. No.	PART No.	DESCRIPTION
	AAA24591D ABA24591D	
1	ABA24591D1	Assembly, Detector, Standard Mount, w/o Formed Angle
	ABA24591D2	Assembly, Detector, Fixed Mount, w/Formed Angle
2	AAA24591F1	Assembly, Extension (consisting of lens & box)

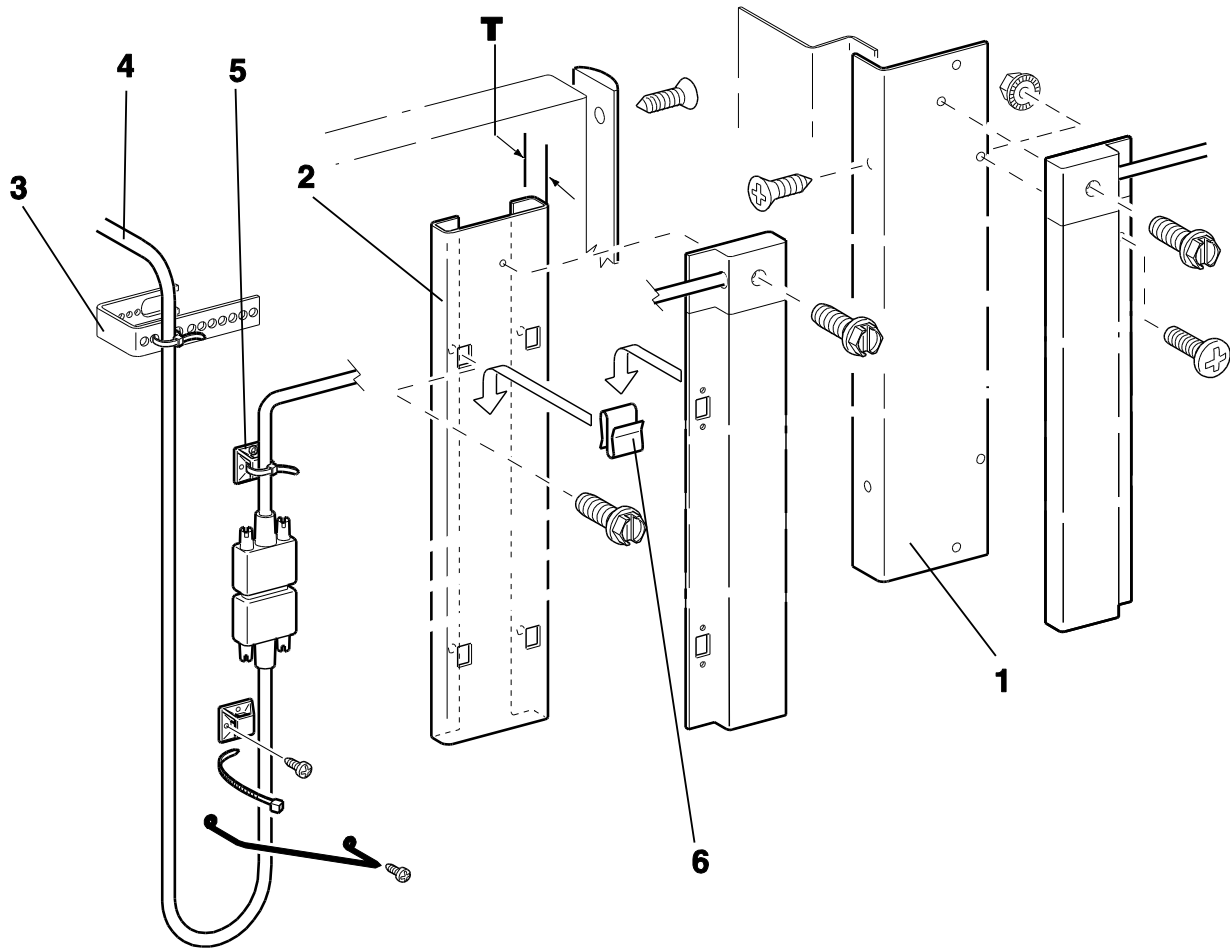
Door Detector Controller

20-AAA24591B



**AAA24591B
ABA24591B**

REF. No.	PART No.	DESCRIPTION
1	AAA513AJ1	Bracket, Controller Mounting
2	AAA375BR3	Fuse, 0.25 A, 250 V (F2)
3	AAA375BR4	Fuse, 0.5 A, 250 V (F1)
4	AAA443DM1	Lens
5	AEA26800QA7	PC Board, Lambda II Controller, with 120/220 VAC or 30 VDC Power Input, w/o 422 Serial Communication, with REM Power Discrete Outputs
6	AAA613CZ11	Relay, 12 VDC Coil (K1)



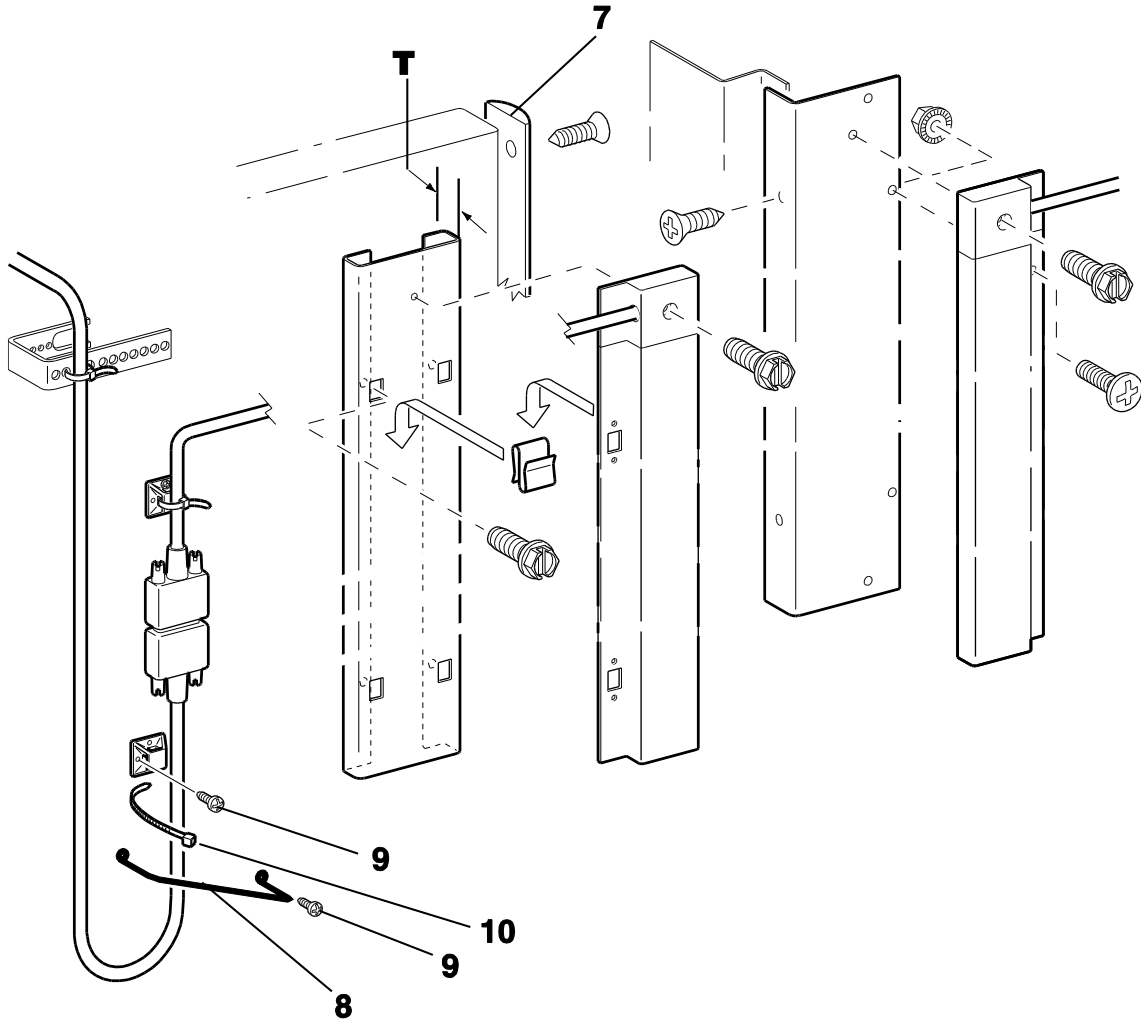
**AAA24591D
ABA24591D**

REF. No.	PART No.	DESCRIPTION
1	---	Angle, Strike Jamb, TYPE AAA283ALP, See Page 10
2	AAA316FUL2	Bracket, T = 0.63 in.
	AAA316FUL3	Bracket, T = 1.00 in.
	AAA316FUL4	Bracket, T = 1.25 in.
3	316EAN1	Bracket, Cable
4	AAA174VZ1	Cable, Door Unit/Controller
5	AAA652A1	Clamp, Cable
6	AAA339NC1	Clip, Spring Mounting

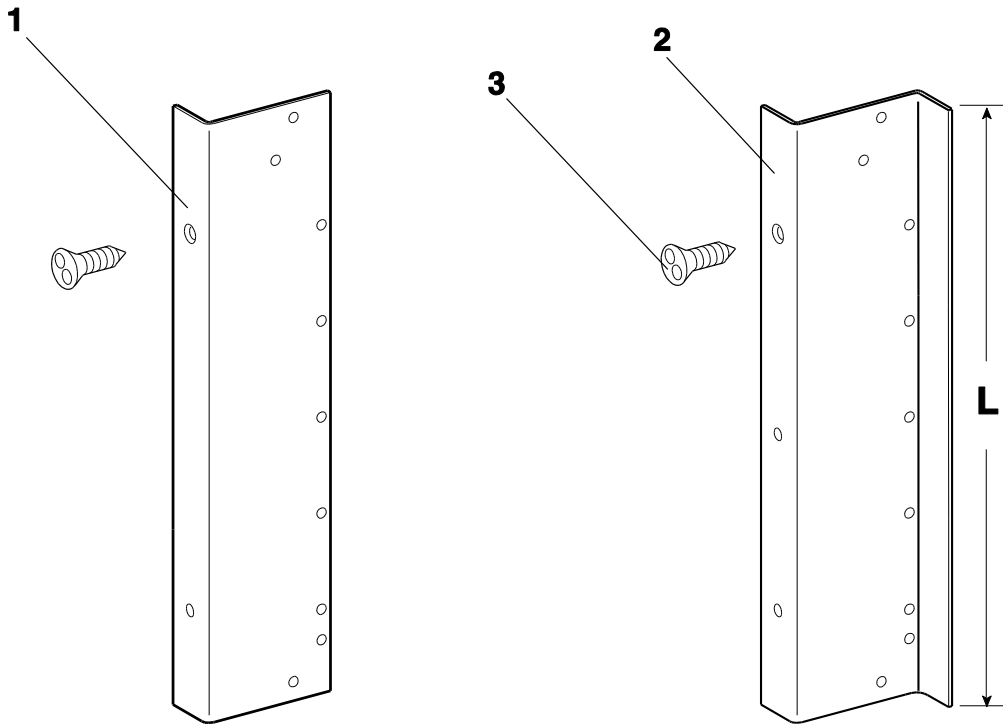
(Continued on next page)

Mounting Hardware

20-AAA24591B



AAA24591D ABA24591D		
REF. No.	PART No.	DESCRIPTION
7	AAA402ZV1	Molding, Astragal, 1.0 in. W, (16 ft. roll, cut to suit)
	AAA402ZV2	Molding, Astragal, 1.0 in. W, (60 ft. roll, cut to suit)
	AAA402ZV3	Molding, Astragal, 1.25 in. W, (16 ft. roll, cut to suit)
	AAA402ZV4	Molding, Astragal, 1.25 in. W, (50 ft. roll, cut to suit)
8	326T1	Retainer, Cable
9	---	Screw (6-20 x 1/2 Teks® Screw, Phillips head)
10	AAA652AA5	Tie, Wire

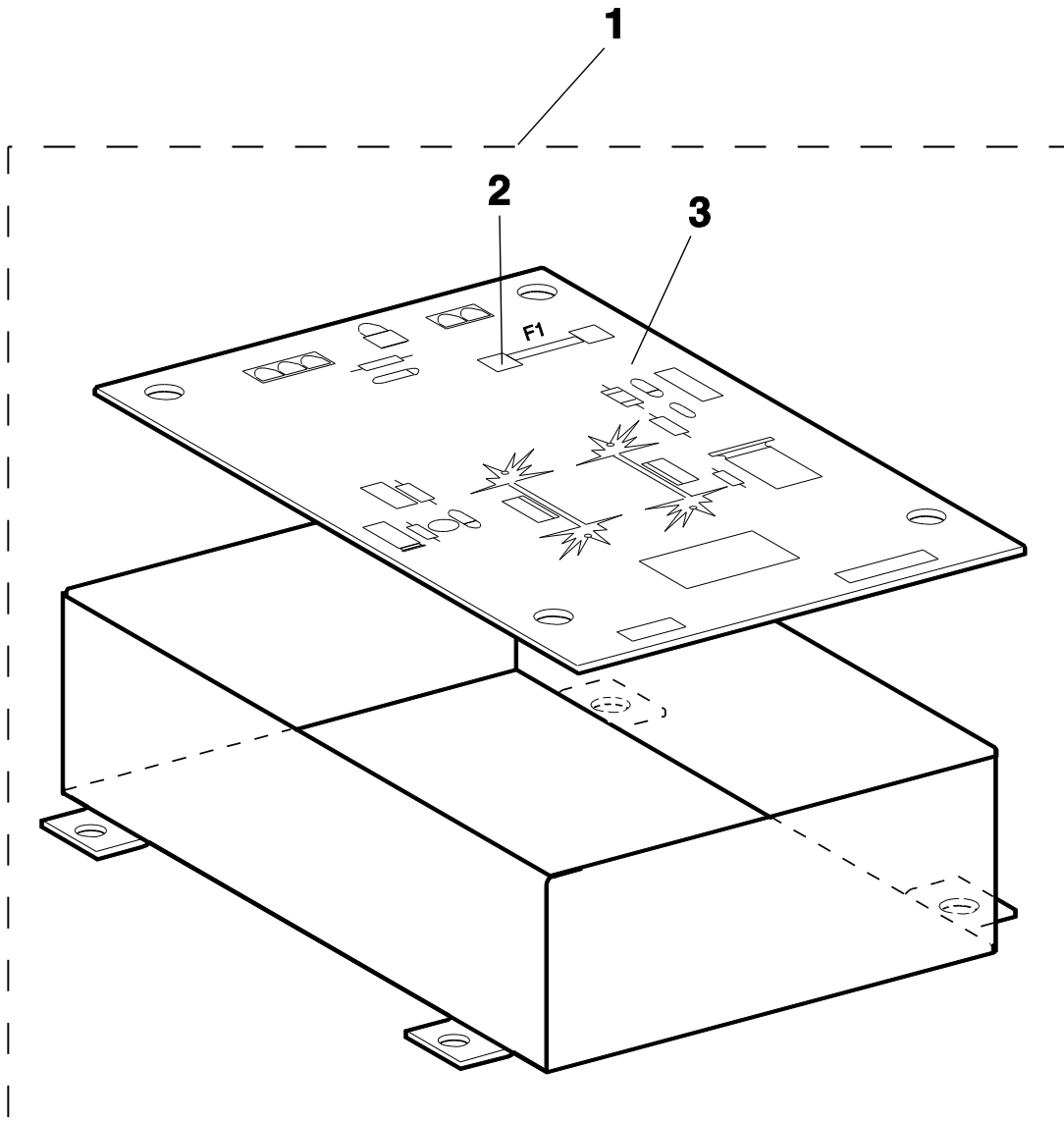


AAA24591D
ABA24591D

REF. No.	PART No.	DESCRIPTION	L (in.)	FINISH
1	AAA283ALP9	L-Shaped Mtg. Bracket, Used with (3) 124DK5	84	Stainless Steel, Mill 4
	AAA283ALP10	L-Shaped Mtg. Bracket, Used with (3) 124DK6	84	Brass, Otis 7
	AAA283ALP11	L-Shaped Mtg. Bracket, Used with (3) 124DK5	96	Stainless Steel, Mill 4
	AAA283ALP12	L-Shaped Mtg. Bracket, Used with (3) 124DK6	96	Brass, Otis 7
2	AAA283ALP21	Z-Shaped Mtg. Bracket, Used with (3) 124DK5	84	Stainless Steel, Mill 4
	AAA283ALP22	Z-Shaped Mtg. Bracket, Used with (3) 124DK6	84	Brass, Otis 7
	AAA283ALP23	Z-Shaped Mtg. Bracket, Used with (3) 124DK5	96	Stainless Steel, Mill 4
	AAA283ALP24	Z-Shaped Mtg. Bracket, Used with (3) 124DK6	96	Brass, Otis 7
3	124DK5	Screw, Tamper Resistant	0.5	Stainless Steel, Mill 4
	124DK6	Screw, Tamper Resistant	0.5	Brass, Otis 7

MRVF Power Supply

20-AAA24591B



AAA24591B ABA24591B		
REF. No.	PART No.	DESCRIPTION
1	AAA7416BG1	Assembly, Power Supply, MRVF
2	AAA375BR5	Fuse, 0.75 A, Slow Blow
3	ABA26800VE1	PC Board, Power Supply