

**Door Detector,
LAMBDA® III (Emitter,
Detector & Controller)**

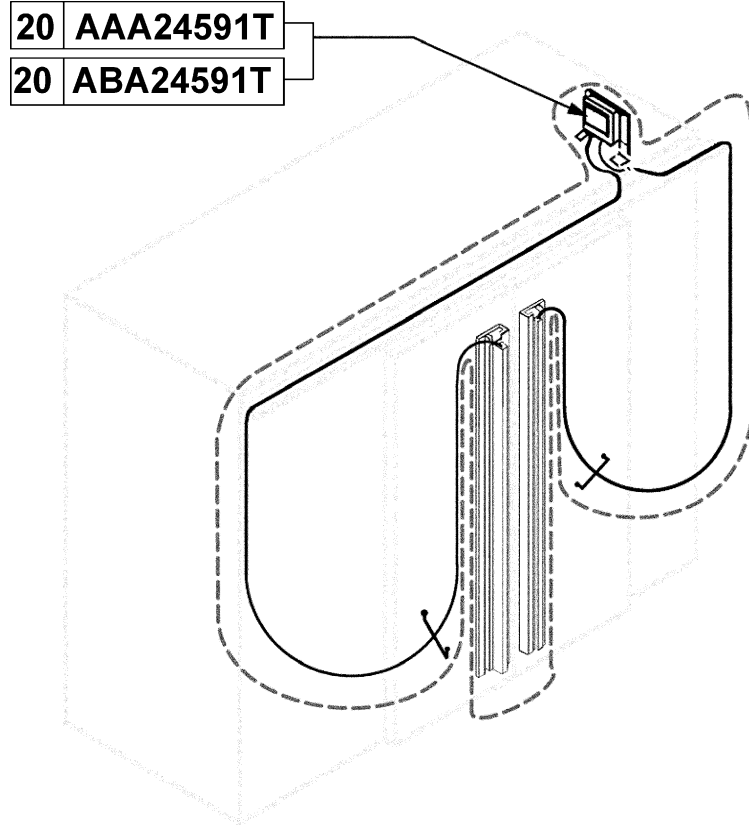
Spare Parts Leaflet

20-AAA24591T

September 28, 2022 / Page 1 of 10

OBSOLESCENCE NOTICE

The product covered in this SPL has been designated as obsolete and is no longer supported. See TIP 32.2-1, *Obsolete Components*, for potential upgrade. Replacement lower-level parts listed within and unique to this design will be reviewed for obsolescence.



OTIS

This document does not contain any technical data subject to EAR or ITAR

**SERVICE ENGINEERING
Otis Elevator Company
Bloomfield, Connecticut USA**

Unpublished Work—© Otis Elevator Co.; 2022

Leaflet Description

The leaflet covers all OSC-supported replacement parts for the 3D LAMBDA III controller.

Leaflet Revisions

Date Revised	Subject Matter Expert	Reason for Revision
April 1999	Duane Stupienski	New SPL
October 1, 1999	Duane Stupienski	Update pp. 3, 4, 5, 8
November 28, 2006	Diem Tran	Added ABA24591T arrangement.
May 12, 2009	Brian Regan	Layout changes, added new p. 9.
August 11, 2009	Brian Regan, Sohaib Shaikh	p. 3 add upgrade kits and universal strike mount.
February 8, 2012	Rich Pustelniak and Sohaib Shaikh	Changed revision of assembly from ACA24591R to ADA24591R; Replaced AC Lambda 3D controller from ADA26800XB to AAA26800ART; Replaced DC Lambda 3D controller from AAA26800AGS to AAA26800ARV.
June 13, 2012	Sohaib Shaikh	Corrected reference numbers on p. 3
May 8, 2019	Pete Kelley	Corrected finishes on p. 10
September 28, 2022	Juan Murillo	Updated to include OBSOLESCENCE note on cover

Related Drawings

Drawing No.	Title	Drawing No.	Title
AAA24591T	Lambda III Door Detector Assy.	ABA24591T	Lambda III Door Detector Assy.

Related Documents

Document ID	Title
TIP 3.4.4-11	LAMBDA® III Installation Manual
TIP 3.4.4-8	Installing LAMBDA® II Power Supply on MRVF

Subject Matter Expert

Name	Department
Sohaib Shaikh	OSC Service Engineering

About Spare Parts Leaflets...

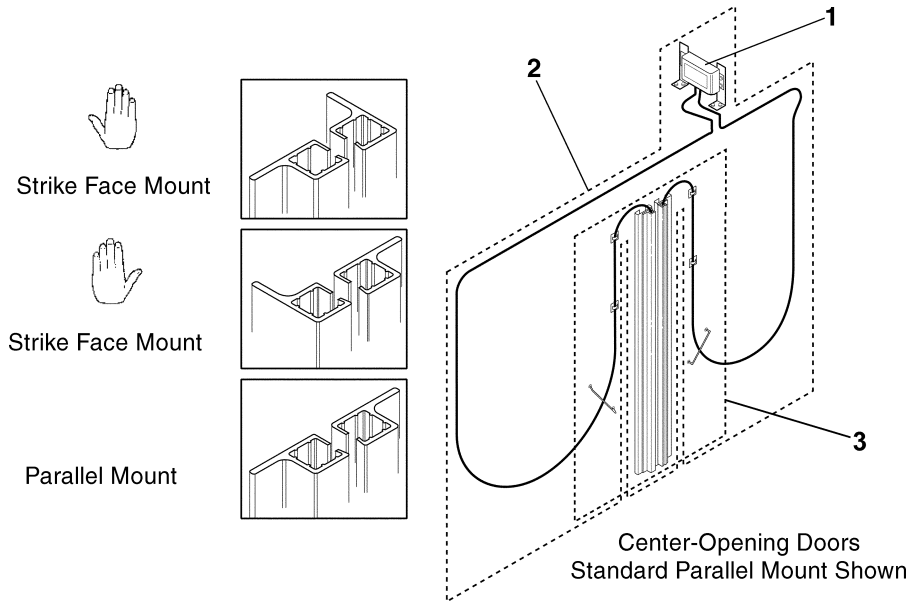
This document lists the lowest replaceable units (LRUs) for the standard version of the product. The LRUs are chosen by a team of Otis associates representing engineering and manufacturing.

While goal of this document is to make parts identification as easy as possible, the document cannot be all-inclusive. Elevator and escalator contracts classified as "special" or "custom" are not addressed here. For such contracts, please refer to specified information, the contract folder, TIPs, Field Education Articles, Construction Letters, etc. for further information.

If you have any suggestions about this document, please contact the subject matter expert listed on this page.

LAMBDA III® Detector Assemblies

20-AAA24591T

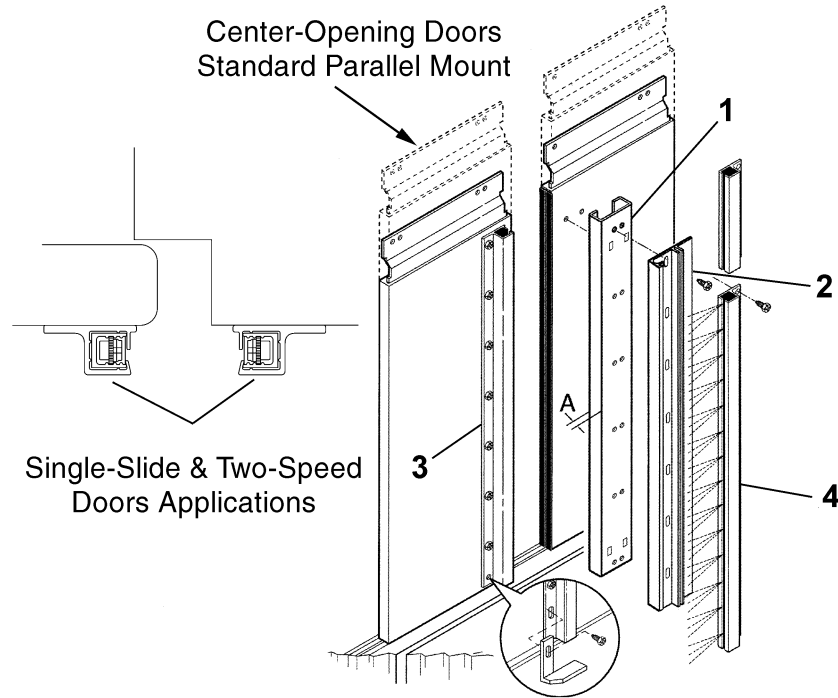


For type A**24591Q detector and type A**24591P emitter assemblies, pages 4–5.

REF. No.	AAA24591T ABA24591T		DESCRIPTION
1	---	---	Assembly, Controller, Type ABA24591R, NOTE 1 and Pages 8 and 9
2	AAA24591T3	ABA24591T3	2D Parallel Mount, 115 VAC NOTE 2
	AAA24591T4	ABA24591T17	3D Universal (C/O, S/S, 2/S), Strike Mount, Standard/Parallel Mount, 115 VAC
	AAA24591T5	ABA24591T17	NOTE 2
	AAA24591T6	ABA24591T17	NOTE 2
	AAA24591T8	ABA24591T18	3D Universal (C/O, S/S, 2/S), Strike Mount, Standard/Parallel Mount, 230 VAC
	AAA24591T9	ABA24591T18	NOTE 2
	AAA24591T10	ABA24591T18	NOTE 2
	ABA24591T20		3D Universal (C/O, S/S, 2S) Strike Mount, Standard/Parallel Mount, 30 VDC
	AAA24591T14	ABA24591T11	C/O, S/S, & 2/S Doors, Standard Mount, 115 VAC, ETO
	AAA24591T15	ABA24591T15	3D Parallel Mount, Japan NOTE 2
	AAA24591T16	ABA24591T16	2D Parallel Mount, 230 VAC NOTE 2
AAA24591T7	ABA24591T7	C/O Doors, High Cab (NEB only) NOTE 2	
3	AAA24591T4	ABA24591T19	3D Universal, Mod Package NOTE 2, NOTE 3
	---	ABA24591T401	LAMBDA LC to LAMBDA III 30 VDC Upgrade Kit, NOTE 4
	---	ABA24591T402	LAMBDA LC to LAMBDA III 30 VDC Upgrade Kit for High Cabs, NOTE 4

NOTES:

- Starting in 2001, controller board A*A24591R on NEB LAMBDA III equipment was located in TOCI box.
- See page 7 for high cab applications that require an extension cable.
- Does not include controller.
- Includes controller PCBA.

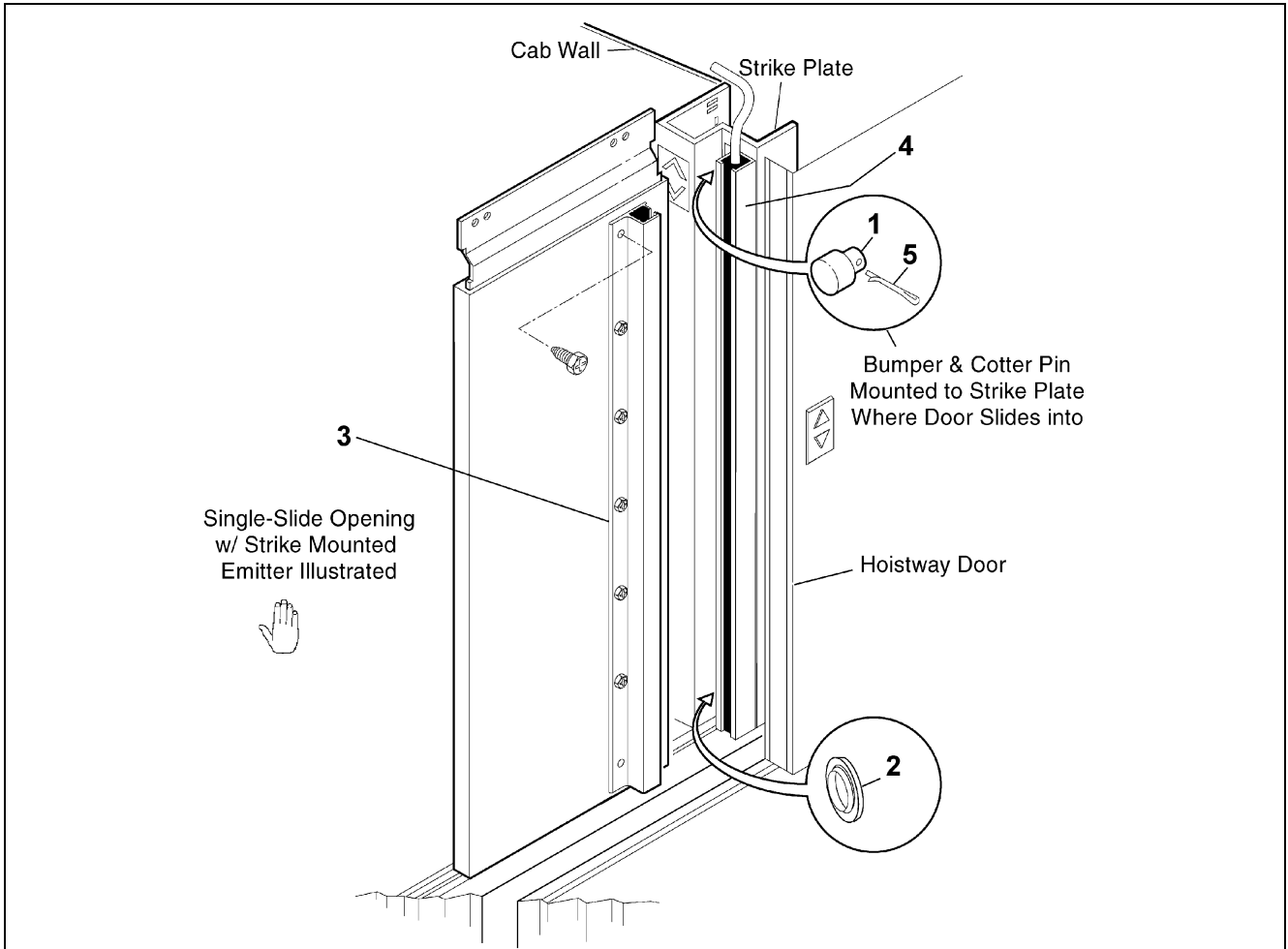


AAA24591T
ABA24591T

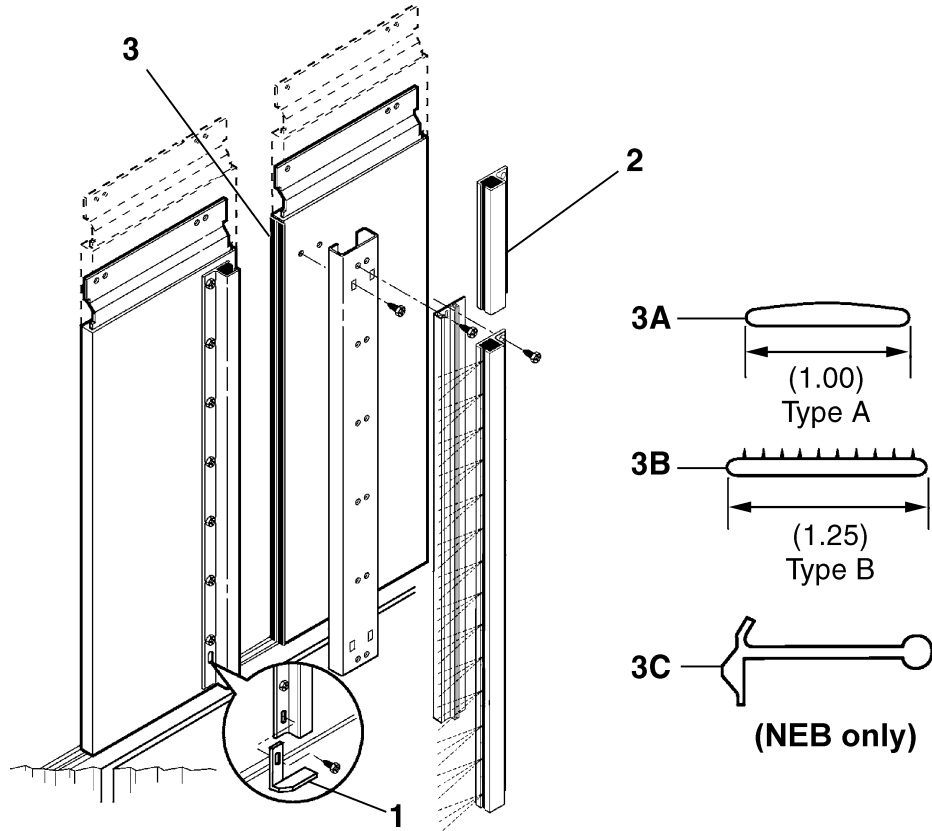
REF. No.	PART No.	DESCRIPTION
1	ABA316FUL2	Bracket, Mounting, A = 0.56 in.
	ABA316FUL3	Bracket, Mounting, A = 1.00 in.
	ABA316FUL4	Bracket, Mounting, A = 1.25 in.
2	AAA326AJ5	Cage (Extended Aluminum, Black), L = 80.0 in.
	AAA326AJ1	Cage (Extended Aluminum, Black), L = 84.5 in.
3	AAA24591Q3 ABA24591Q3 ACA24591Q3	Detector, 2D Standard Mount, C/O Doors
	AAA24591Q4 ABA24591Q4 ACA24591Q4	Detector, 3D Standard Mount, C/O Doors
	AAA24591Q7 ABA24591Q7 ACA24591Q7	Detector, 3D Standard Mount, Japan, C/O Doors
4	AAA24591P3 ABA24591P3	Emitter, 2D Standard Mount, C/O Doors
	AAA24591P4 ABA24591P4	Emitter, 3D Standard Mount, C/O Doors
	AAA24591P7 ABA24591P7	Emitter, 3D Standard Mount, Japan, C/O Doors

Detector and Emitter for Strike Face Mount Applications Only

20-AAA24591T



REF. No.	PART No.	DESCRIPTION
	AAA24591T ABA24591T	
1	320CV2	Bumper, Top
2	444BL1	Bumper, Bottom
3	AAA24591Q4 ABA24591Q4	Detector, 3D Standard Mount, Single-Slide Door (as shown)
	AAA24591P4 ABA24591P4	Emitter, 3D Strike Mount, Single-Slide Door
4	AAA24591Q6 ABA24591Q6 ACA24591Q6	Detector, 3D Standard Mount, Single-Slide Door (unit mounted on the column)
	AAA24591P6 ABA24591P6	Emitter, 3D Strike Mount, Single-Slide Door (unit mounted on the column as shown)
5	- - -	Pin, Cotter, L = 3-32 x 1.0 in., 320CV2, Obtain Locally

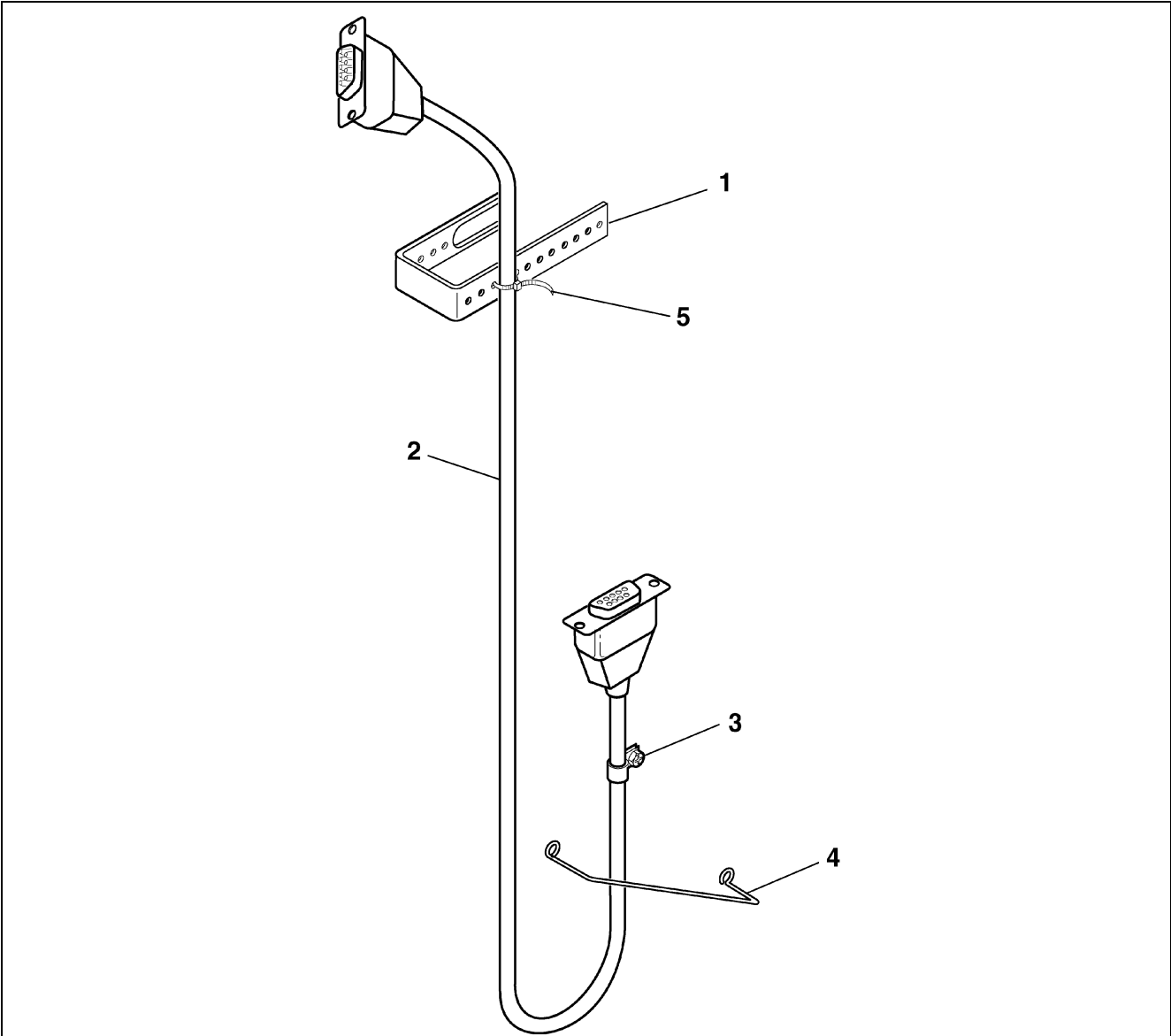


**AAA24591T
ABA24591T**

REF. No.	PART No.	DESCRIPTION	
1	AAA316GAZ7	Bracket, Retainer and Guide, Detector/Emitter Assemblies	
	AAA316GAZ8	Bracket, Retainer and Guide, Detector/Emitter Assemblies	
2	AAA24591U1	Extender, Cosmetic, 80 in. L, 3D Standard Mount, Center-Opening or Single-Slide Doors	
	AAA24591U2	Extender, Cosmetic, 80 in. L, 3D Strike Mount, Single-Slide Door	
3	A	AAA402ZV1	Molding, Astragal, Type A, 192 in. Roll, Self-Stick (Mod only)
		AAA402ZV2	Molding, Astragal, Type A, 720 in. Roll, Self-Stick (Mod only)
	B	AAA402ZV3	Molding, Astragal, Type B, 192 in. Roll, Self-Stick (Mod only)
		AAA402ZV4	Molding, Astragal, Type B, 600 in. Roll, Self-Stick (Mod only)
	C	402FA5	Molding, Astragal, L = 181.5 in. (NEB only)
		402FA6	Molding, Astragal, L = 101.5 in. (NEB only)
		402FA7	Molding, Astragal, L = 113.5 in. (NEB only)

AAA174XX Connector

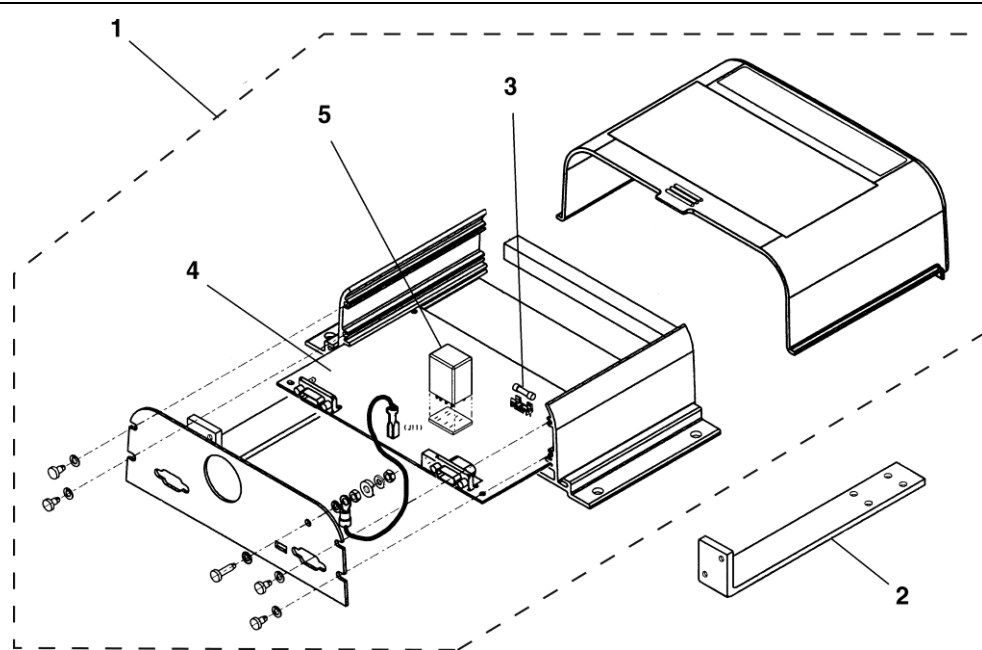
20-AAA24591T




AAA24591T
ABA24591T

REF. No.	PART No.	DESCRIPTION
1	316EAN1	Bracket, Cable Support
2	AAA174XX3	Cable, L = 2130 mm (83.86 in.)
	AAA174XX1	Cable, L = 5500 mm (216.7 in.)
	AAA174XX2	Cable, L = 7620 mm (300.23 in.), W → High Cab Only
3	336CZ9	Clamp, Cable
4	326T1	Retainer, Cable
5	AAA652AA10	Strap, TY-RAP®

115/230 VAC Version

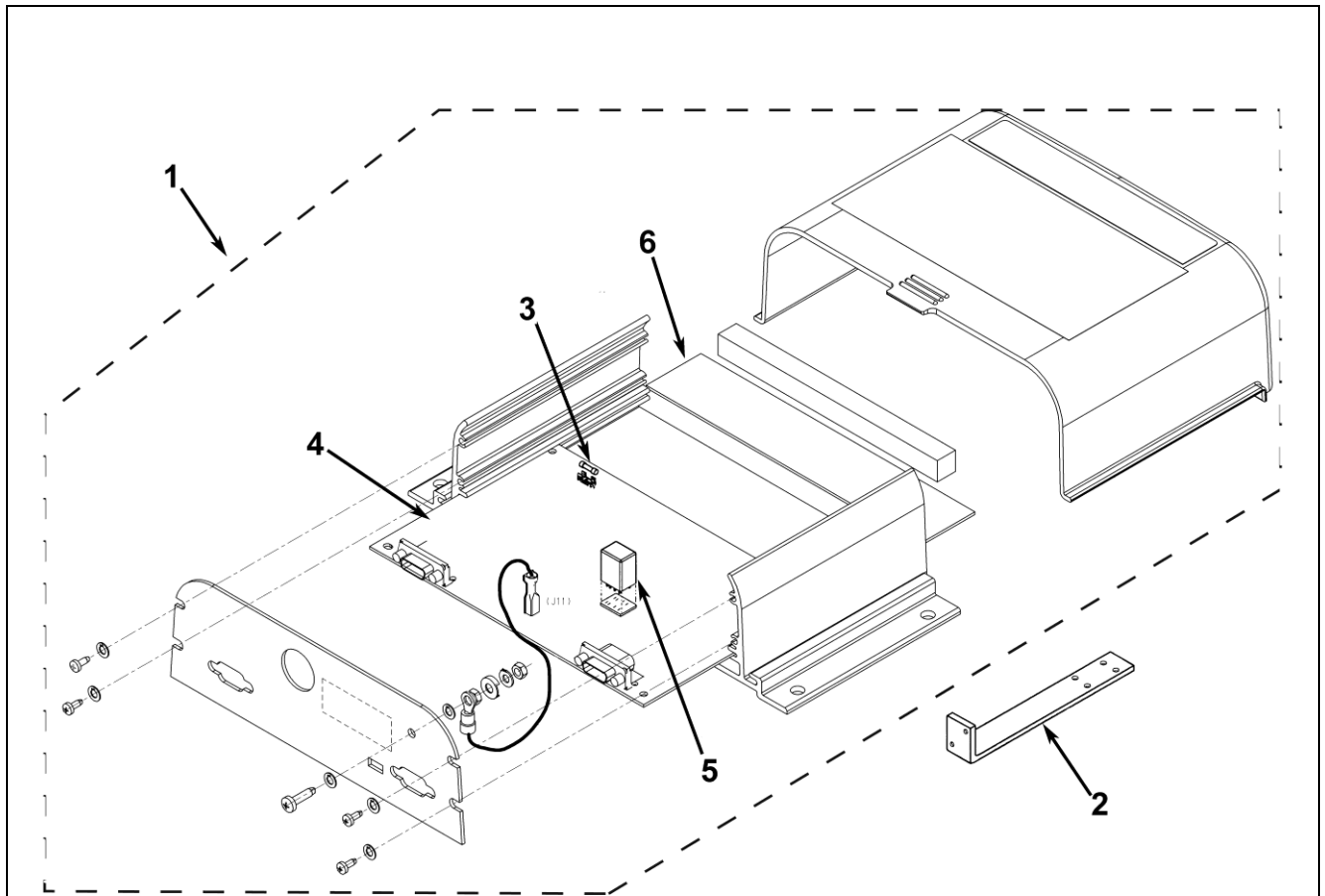


REF. No.	PART No.	DESCRIPTION
	AAA24591T ABA24591T	
1	ABA24591R1 ACA24591R1 ADA24591R1	Assembly, Controller, 115 VAC
	ABA24591R2 ACA24591R2 ADA24591R2	Assembly, Controller, 230 VAC
	ABA24591R3 ACA24591R3 ADA24591R3	Assembly, Controller, 115 VAC, ETO
	ABA24591R5 ACA24591R5 ADA24591R5	Assembly, Controller, 115 VAC, Japan
	ACA24591R6 ADA24591R6	Assembly, Controller, 30 VDC  p. 9
2	AAA316GBA1	Bracket, Controller Mounting (Mod only)
3	AAA375BY15	Fuse, 0.5 Amp, 115 VAC
	AAA375BY2	Fuse, 0.25 Amp, 230 VAC
4	ACA26800XB1 ADA26800XB1 AAA26800ART1	PC Board, 115 VAC
	ACA26800XB2 ADA26800XB2 AAA26800ART2	PC Board, 230 VAC
5	AAA613CZ21	Relay, 24 VDC, for PC Board, A__26800XB
	AAA613DB7	Relay, 24 VDC. For PC Board, A__26800ART

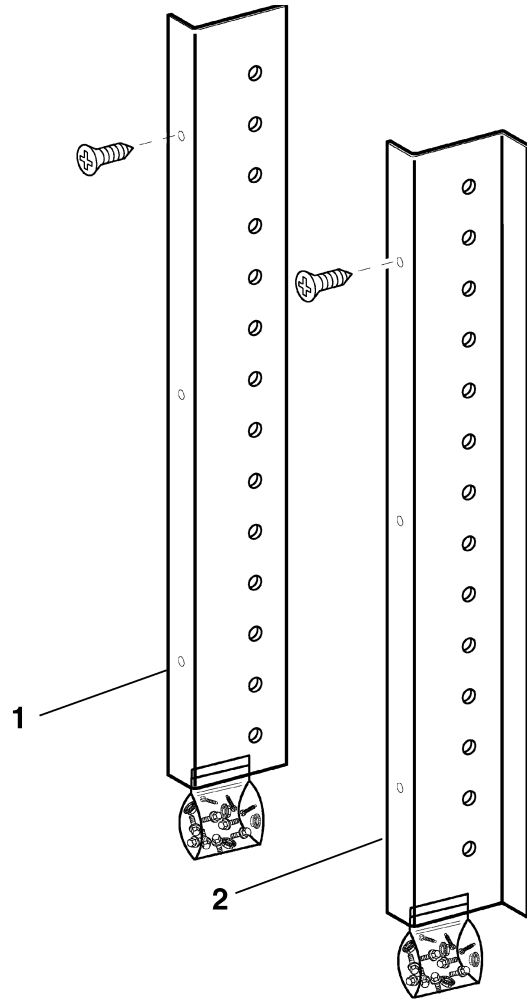
A**24591R Controller Assembly

20-AAA24591T

30 VDC Version



AAA24591T ABA24591T		
REF. No.	PART No.	DESCRIPTION
1	ACA24591R6 ADA24591R6	Assembly, Controller, 30 VDC
2	AAA316GBA1	Bracket, Controller Mounting (Mod only)
3	AAA375BY15	Fuse, 0.5 Amp, 115 VAC
4	AAA26800AGS4 AAA26800ARV1	PC Board, 30 VDC
5	AAA613CZ21	Relay, 24 VDC, for PC Board A__26800AGS1
	AAA613DB7	Relay, 24 VDC, for PC Board, A__26800ARV1
6	AAA462BL1	Spacer



REF. No.	PART No.	DESCRIPTION
	AAA24591T ABA24591T	
1	AAA283AQE1	Strike Jamb, Brushed St. Steel, L = 2133.6 mm, L-Shaped
	AAA283AQE2	Strike Jamb, St. Brass, L = 2133.6 mm, L-Shaped
	AAA283AQE3	Strike Jamb, Brushed St. Steel, L = 2438.4 mm, L-Shaped
	AAA283AQE4	Strike Jamb, Brass L = 2438.4 mm, L-Shaped
2	AAA283AQE5	Strike Jamb, Brushed St. Steel, L = 2133.6 mm, Z-Shaped
	AAA283AQE6	Strike Jamb, St. Brass, L = 2133.6 mm, Z-Shaped
	AAA283AQE7	Strike Jamb, Brushed St. Steel, L = 2438.4 mm, Z-Shaped
	AAA283AQE8	Strike Jamb, Brass, L = 2438.4 mm, Z-Shaped

NOTE: Each strike jamb comes with a bag of hardware: (10) 10-32 x 0.5 in. hex head machine screws, (10) 10-32 flanged whiz nuts, and (3) 8-32 x 0.5 in. button head hex socket screws, brass or stainless steel finish.