

# LAMBDA<sup>®</sup> 2D Door Protection System

Spare Parts Leaflet

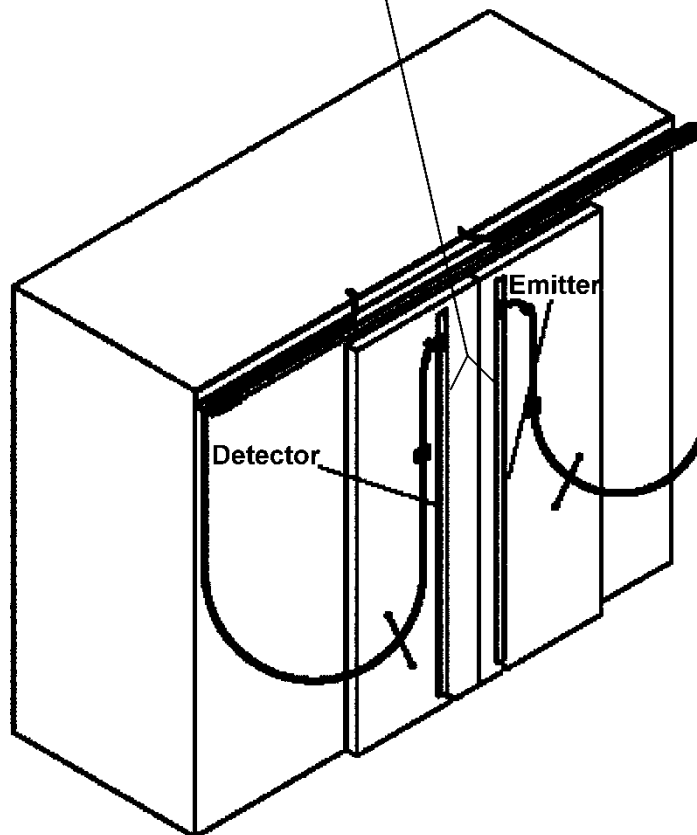
20-ABA24591AC

September 21, 2022 / Page 1 of 7

## OBSOLESCENCE NOTICE

The product covered in this SPL has been designated as obsolete and is no longer supported. See TIP 32.2-1, *Obsolete Components*, for potential upgrade. Replacement lower-level parts listed within and unique to this design will be reviewed for obsolescence.

20 A-ABA24591AC



**OTIS**

**Safety First!**

**SERVICE ENGINEERING**

Otis Elevator Company

Bloomfield, Connecticut USA

**Leaflet Description**

This leaflet provides spare part information on the ABA24591AC Lambda® product. “Lambda” is a two dimensional, full height, entrance protection system. It is available in two basic configurations: fixed mount and door mount. There are slight variations within each configuration.

**Leaflet Revisions**

<b>Date Revised</b>	<b>Subject Matter Expert</b>	<b>Reason for Revision</b>
March 12, 2004	Jim Harte	New SPL
July 1, 2004	Jim Harte	Added spare parts for ABA24591AC12 arrangement
January 26, 2006	Jim Harte	Added ABA24591AC11 and 14 arrangement; added bracket part numbers.
February 25, 2008	Jim Harte	Revised Detector Assembly P/N's; was ABA24591AB or AD; see SHTS. 2 & 4; CAE5A-001131
May 5, 2010	Sohaib Shaikh & Jim Harte	Added LC relay assembly on page 7.
September 21, 2022	Juan Murillo	Updated to include OBSOLESCENCE note on cover

**Related Drawings**

<b>Drawing No.</b>	<b>Title</b>	<b>Drawing No.</b>	<b>Title</b>
ABA24591AA	Light Ray Device, Lambda LC Door Protection Device, “Emitter” Upper Assembly	ABA24591AE	Light Ray Device, Lambda LC Door Protection Device, Fixed Mounting “Emitter” Upper Assembly
ABA24591AC	Light Ray Device, Emitter/Detector and Mounting Kit, Lambda LC	ACA24591AD	Light Ray Device, Lambda LC Door Protection Device, Fixed Mount “Detector” Upper Assembly
ACA24591AB	Light Ray Device, Lambda LC Door Protection Device, “Detector” Upper Assembly	AAA25400BK	Car Component and Wiring Layout, G2L

(Continued on next page)

## Related Documents

Document ID	Title
ABA24591AC_FIM	Lambda LC Field Installation Manual - Fixed Mount
ABA24591AC1/2_FIM	Lambda LC Field Installation Manual - Door Mount
ABA24591AC12_FIM	Lambda LC Field Installation Manual - Fixed Mount (Cernusco market)

## Subject Matter Expert

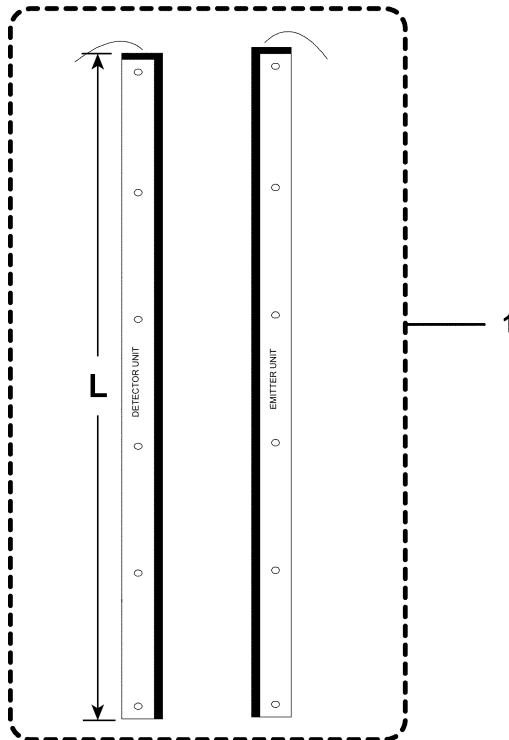
Name	Department
Sohaib Shaikh	OSC Service Engineering

## About Spare Parts Leaflets...

This document lists the lowest replaceable units (LRUs) for the standard version of the product. The LRUs are chosen by a team of Otis associates representing engineering and manufacturing.

While goal of this document is to make parts identification as easy as possible, the document cannot be all-inclusive. Elevator and escalator contracts classified as “special” or “custom” are not addressed here. For such contracts, please refer to specified information, the contract folder, TIPS, Field Education Articles, Construction Letters, etc. for further information.

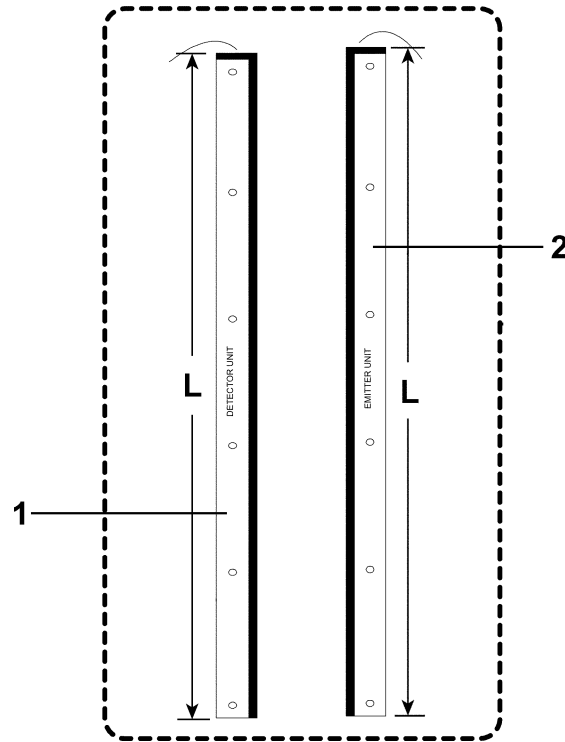
If you have any suggestions about this document, please contact the subject matter expert listed on this page.



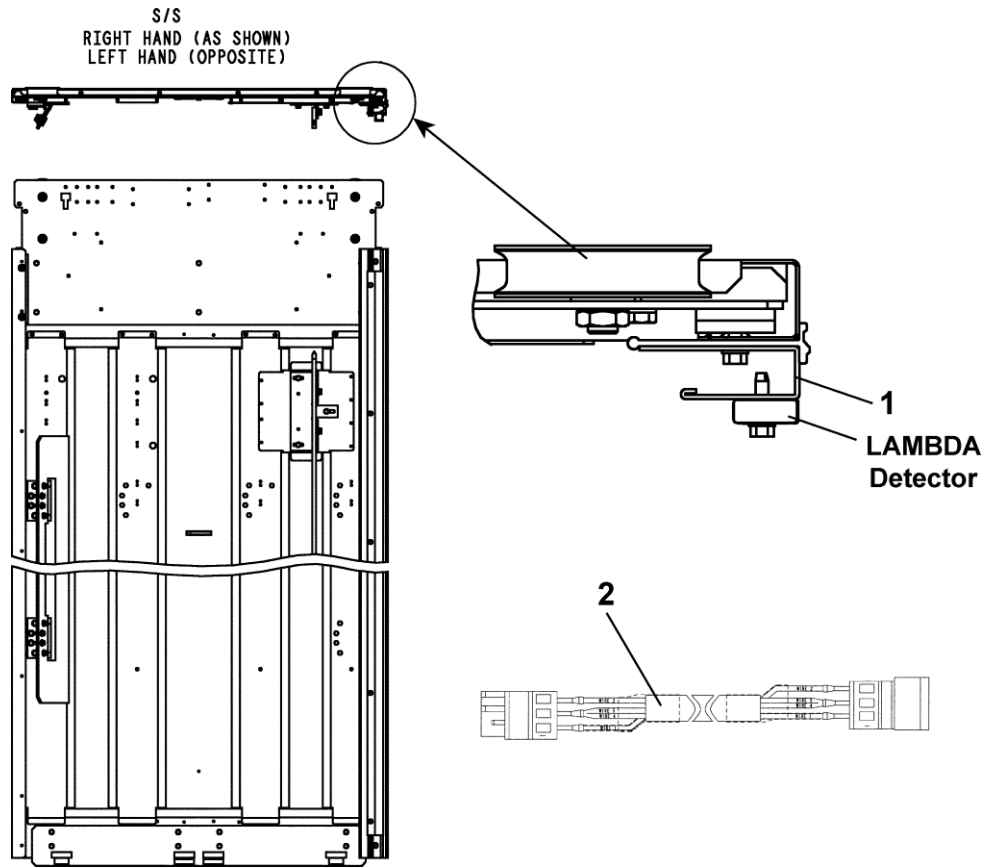
<b>ABA24591AC</b>		
<b>REF. No.</b>	<b>PART No.</b>	<b>DESCRIPTION</b>
1	ABA24591AC11	Assembly, Door Mount, L = 2000 mm, 6 m Cable
	ABA24591AC2	Assembly, Door Mount, L = 2000 mm, 5.2 m Cable (Not used in NSAA)
	ABA24591AC1	Assembly, Door Mount, L = 2100 mm, 5.2 m Cable (Not used in NSAA)
	ABA24591AC14	Assembly, Door Mount, L = 2000 mm, High Cab
	ABA24591AC6	Assembly, Fixed Mount, L = 1950 mm, 2.7 m Cable; w/o Mounting Kit (Not used in NSAA)
	ABA24591AC7	Assembly, Fixed Mount, L = 1950 mm, 4.5 m Cable; w/o Mounting Kit (Not used in NSAA)
	ABA24591AC8	Assembly, Fixed Mount, L = 1950 mm, 5.2 m Cable; w/o Mounting Kit (Not used in NSAA)
	ABA24591AC13	Assembly, Fixed Mount, L = 1950 mm, 4.5 m Cable; w/o Mounting Kit (Not used in NSAA, used in Cernusco)
	ABA24591AC12	Assembly, Fixed Mount, L = 1950 mm, 4.5 m Cable, w/Mounting Kit, Assembly of ABA24591AC13 & ABA24591AC404 (Not used in NSAA)
	ABA24591AC3	Assembly, Fixed Mount, L = 1950 mm, 2.7 m Cable, w/Mounting Kit, Assembly of ABA24591AC6 & ABA24591AC401 (Not used in NSAA)
	ABA24591AC4	Assembly, Fixed Mount, L = 1950 mm, 4.5 m Cable, w/Mounting Kit, Assembly of ABA24591AC7 & ABA24591AC401 (Not used in NSAA)
	ABA24591AC5	Assembly, Fixed Mount, L = 1950 mm, 5.2 m Cable, w/Mounting Kit, Assembly of ABA24591AC8 & ABA24591AC401 (Not used in NSAA)

# Detector & Emitter

**20-ABA24591AC**



<b>ABA24591AC</b>			
<b>REF. No.</b>	<b>PART No.</b>	<b>DESCRIPTION</b>	<b>Used on Lambda Assembly</b>
1	ACA24591AB1	Detector, Door Mount, L = 2100 mm	ABA24591AC1
	ACA24591AB2	Detector, Door Mount, L = 2000 mm	ABA24591AC2
	ACA24591AB3	Detector, Door Mount, L = 2000 mm (parallel beams only)	ABA24591AC11, ABA24591AC14
	ACA24591AD1	Detector, Fixed Mount, L = 1950 mm, 2.7 m Cable	ABA24591AC3, ABA24591AC6
	ACA24591AD2	Detector, Fixed Mount, L = 1950 mm, 4.5 m Cable	ABA24591AC4, ABA24591AC7 ABA24591AC12, ABA24591AC13
	ACA24591AD3	Detector, Fixed Mount, L = 1950 mm, 5.2 m Cable	ABA24591AC5, ABA24591AC8
2	ABA24591AA1	Emitter, Door Mount, L = 2100 mm	ABA24591AC1
	ABA24591AA2	Emitter, Door Mount, L = 2000 mm	ABA24591AC2
	ABA24591AA3	Emitter, Door Mount, L = 2000 mm (parallel beams only)	ABA24591AC11, ABA24591AC14
	ABA24591AE2	Emitter, Fixed Mount, L = 1950 mm, 4.5 m Cable	ABA24591AC4, ABA24591AC7 ABA24591AC12, ABA24591AC13
	ABA24591AE3	Emitter, Fixed Mount, L = 1950 mm, 5.2 m Cable	ABA24591AC5, ABA24591AC8
	ABA24591AE1	Emitter, Fixed Mount, L = 1950 mm, 2.7 m Cable	ABA24591AC3, ABA24591AC6

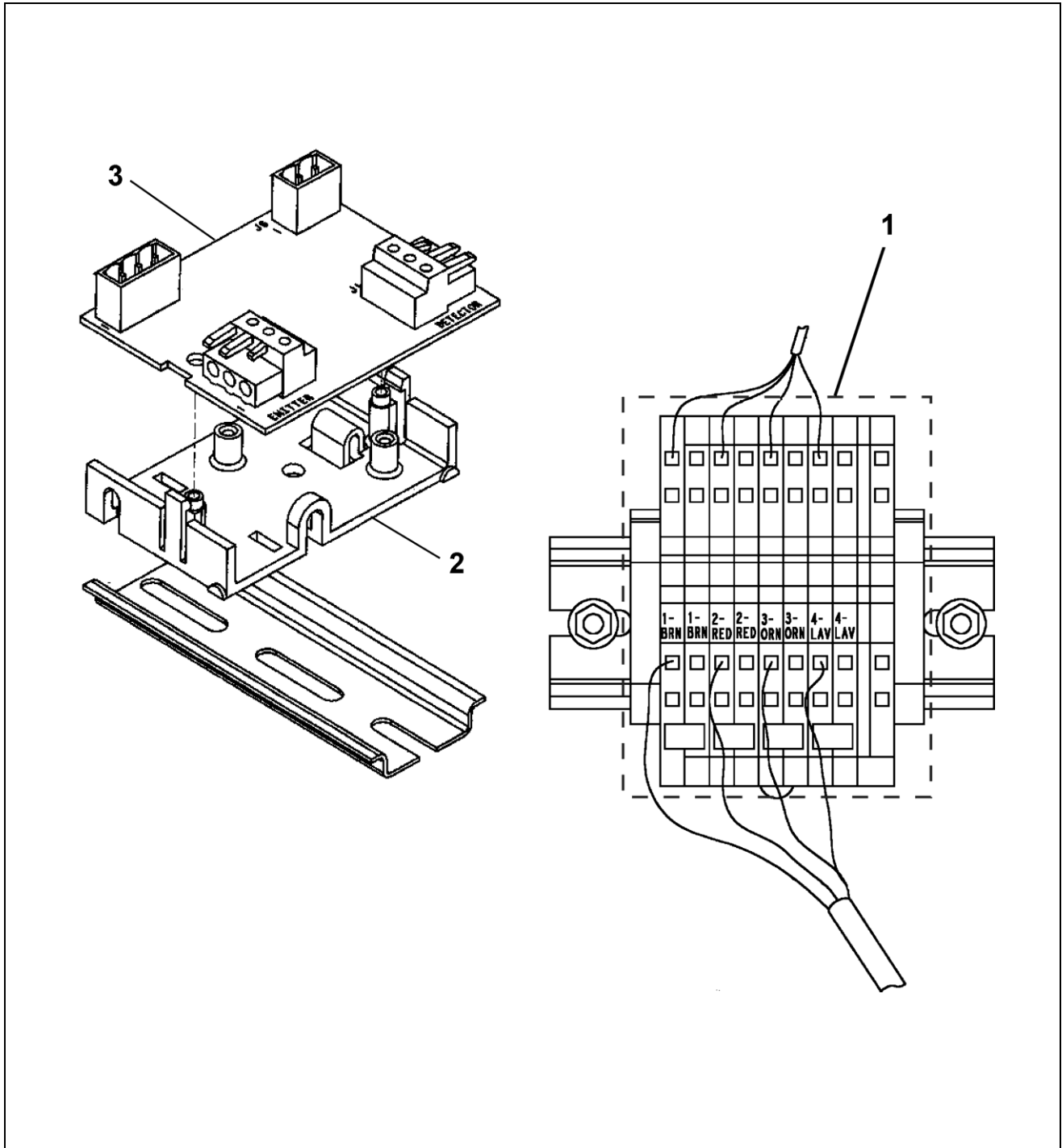


<b>ABA24591AC</b>			
<b>REF. No.</b>	<b>PART No.</b>	<b>DESCRIPTION</b>	<b>Used on Lambda Assembly</b>
1	AAA326AN1	Bracket, Universal Cage, L = 2145 mm	As Specified
	AAA326AN2	Bracket, Universal Cage, L = 2449 mm	
	AAA326AN3	Bracket, Universal Cage, L = 2111 mm	
	AAA326AN4	Bracket, Universal Cage, L = 2311 mm	
2	AAA174AEJ6	Cable, High Cab Extension	ABA24591AC14
*	ABA24591AC401	Kit, Mounting, Extension Tube L = 585 mm	ABA24591AC3 ABA24591AC4
	ABA24591AC404	Kit, Mounting, Extension Tube L = 585 mm	ABA24591AC12
	ABA24591AC402	Kit, Mounting, Extension Tube L = 1085 mm	ABA24591AC5

\* Parts not shown.

# LAMBDA LC Relay Assembly

**20-ABA24591AC**



W/O VINTAGE		
REF. No.	PART No.	DESCRIPTION
1	AAA21303CY2	Assembly, Terminal Block
2	AAA180FE1	Holder, Molded
3	AAA26800APY1	PC Board, Lambda LC