

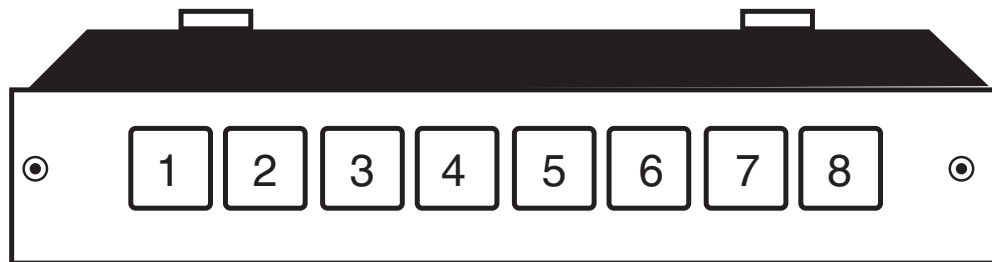
**Multi-Light  
Hall Position  
Indicator**

**Spare Parts Leaflet**

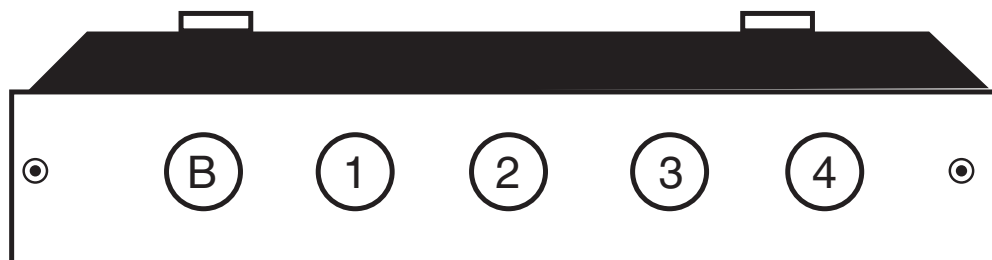
**22-6651F**

**November 12, 2001 / Page 1 of 9**

**W/O  
VINTAGE**



**Type 6651F - Square Fixtures**



**Type A6651F - Round Fixtures**

**OTIS**

**Safety First!**

**SERVICE ENGINEERING  
Otis Elevator Company  
Bloomfield, Connecticut USA**

**Leaflet Description**

This leaflet describes the multi-light hall position indicator. It is important to note that designation 6651F is for square-shape fixtures and A6651F is for the round-shape fixtures. Both the hall position indicators as well as the lamp receptacle assemblies are detailed.

The two-position (terminal landing) 6651G type indicators have been separated out and are now in SPL 22-6651G.

**Leaflet Revisions**

<b>Date Revised</b>	<b>Subject Matter Expert</b>	<b>Reason for Revision</b>
January 1, 1988	J. Costley (Technical Writer)	New leaflet
February 1, 1998	Val Minnes	Separated 6651G type indicators, added history page
May 21, 2001	Val Minnes	Corrected lamp shield p/n from 278AD3 to 278AD4. Corrected illustration views of lamp receptacles and fastenings and callouts. Corrected parts numbers.

**Related Drawings**

<b>Drawing No.</b>	<b>Title</b>	<b>Drawing No.</b>	<b>Title</b>
6651F	Multi-Light Hall Position Indicator (with rectangular shape fixtures)	A6651F	Multi-Light Hall Position Indicator (with round shape fixtures)

**Related Documents**

<b>Document ID</b>	<b>Title</b>
SPL 22-6651G	Multi-Light Hall Position Indicator, Terminal Landing

**Subject Matter Expert**

<b>Name</b>	<b>Department</b>
Val Minnes	Service Engineering

**About Spare Parts Leaflets...**

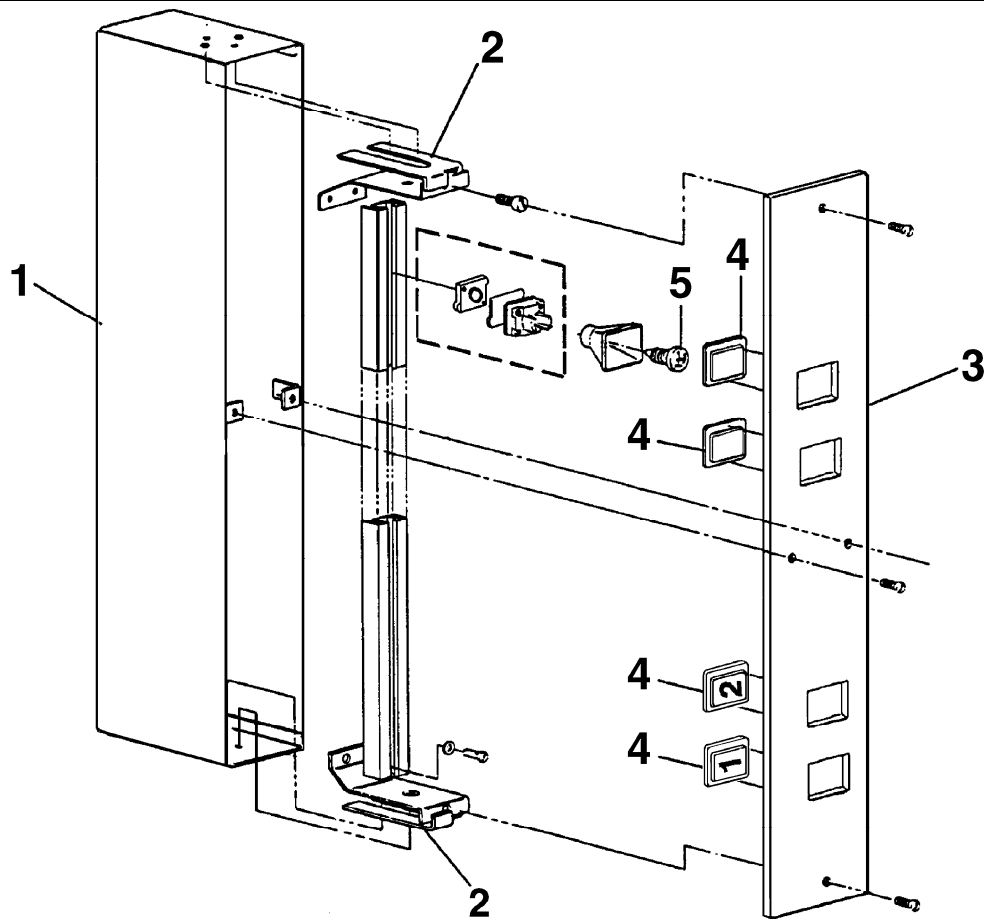
This document lists the lowest replaceable units (LRUs) for the standard version of the product. The LRUs are chosen by a team of Otis associates representing engineering and manufacturing.


While goal of this document is to make parts identification as easy as possible, the document cannot be all-inclusive. Elevator and escalator contracts classified as "special" or "custom" are not addressed here. For such contracts, please refer to specified information, the contract folder, TIPS, Field Education Articles, Construction Letters, etc. for further information.

If you have any suggestions about this document, please contact the subject matter expert listed on this page.

# 6651F Hall Position Indicator w/Square Jewels

22-6651F

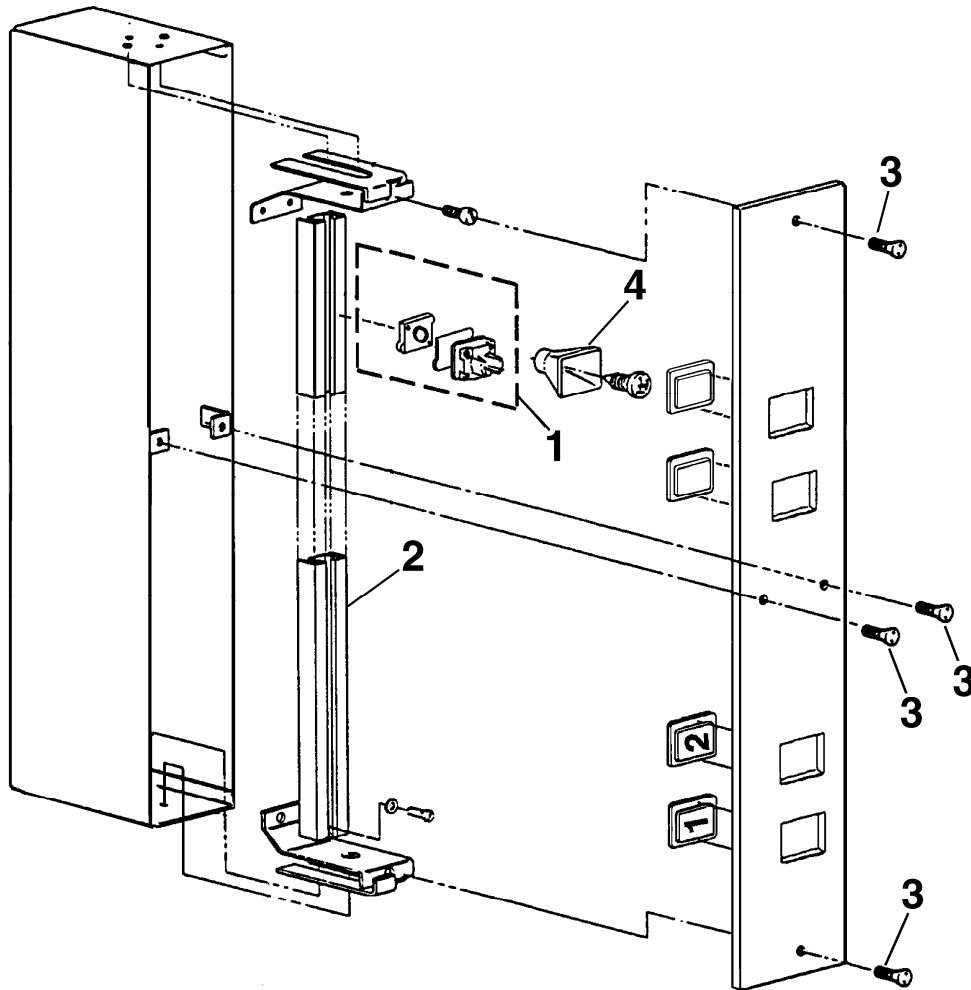




W/O VINTAGE		
REF. No.	PART No.	DESCRIPTION
1	A313R1	Box, 23 in. L (holds 3–12 indicator fixtures)
	A313R2	Box, 41 in. L (holds 13–23 indicator fixtures)
2	316ACP1	Bracket
3	---	Faceplate, Type B147BC (To order, contact your OSC customer service representative.)
4	---	Jewel, Type 499AD,  p. 9
5	424H1	Lamp, Incandescent, 120 V
	AAA629AY19	Lamp, LED, Amber
	AAA629AY22	Lamp, LED, Green
	AAA629AY21	Lamp, LED, Orange
	AAA629AY18	Lamp, LED, Red
	<del>VP-802115</del> LO424R1	Lamp, Neon, Screw Base

(Continued on next page)

**22-6651F**

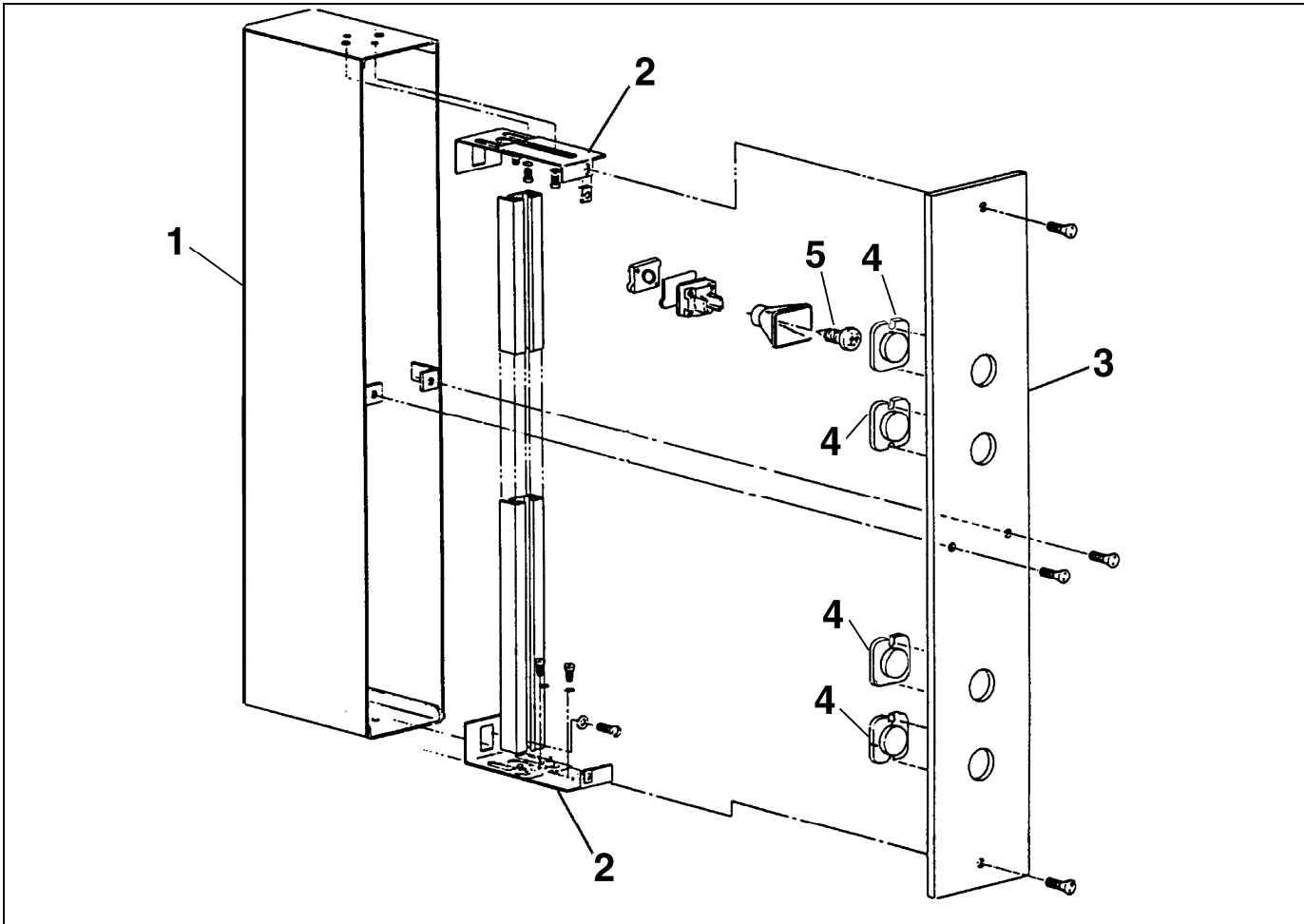
# 6651F Hall Position Indicator w/Square Jewels




W/O VINTAGE		
REF. No.	PART No.	DESCRIPTION
1	---	Assembly, Lamp Receptacle, Type 6644A,  p. 7
	---	Fastenings, Lamp Receptacle, Material List 2226A,  p. 7
2	105CJ3	Plate, Base, 24 in. L
	105CJ4	Plate, Base, 42 in. L
3	124DK10	Screw, Tamper-Resistant, Bronze, 10-32 x 1/2 in. L
	124DK9	Screw, Tamper-Resistant, Stainless Steel, 10-32 x 1/2 in. L
4	278AD4	Shield

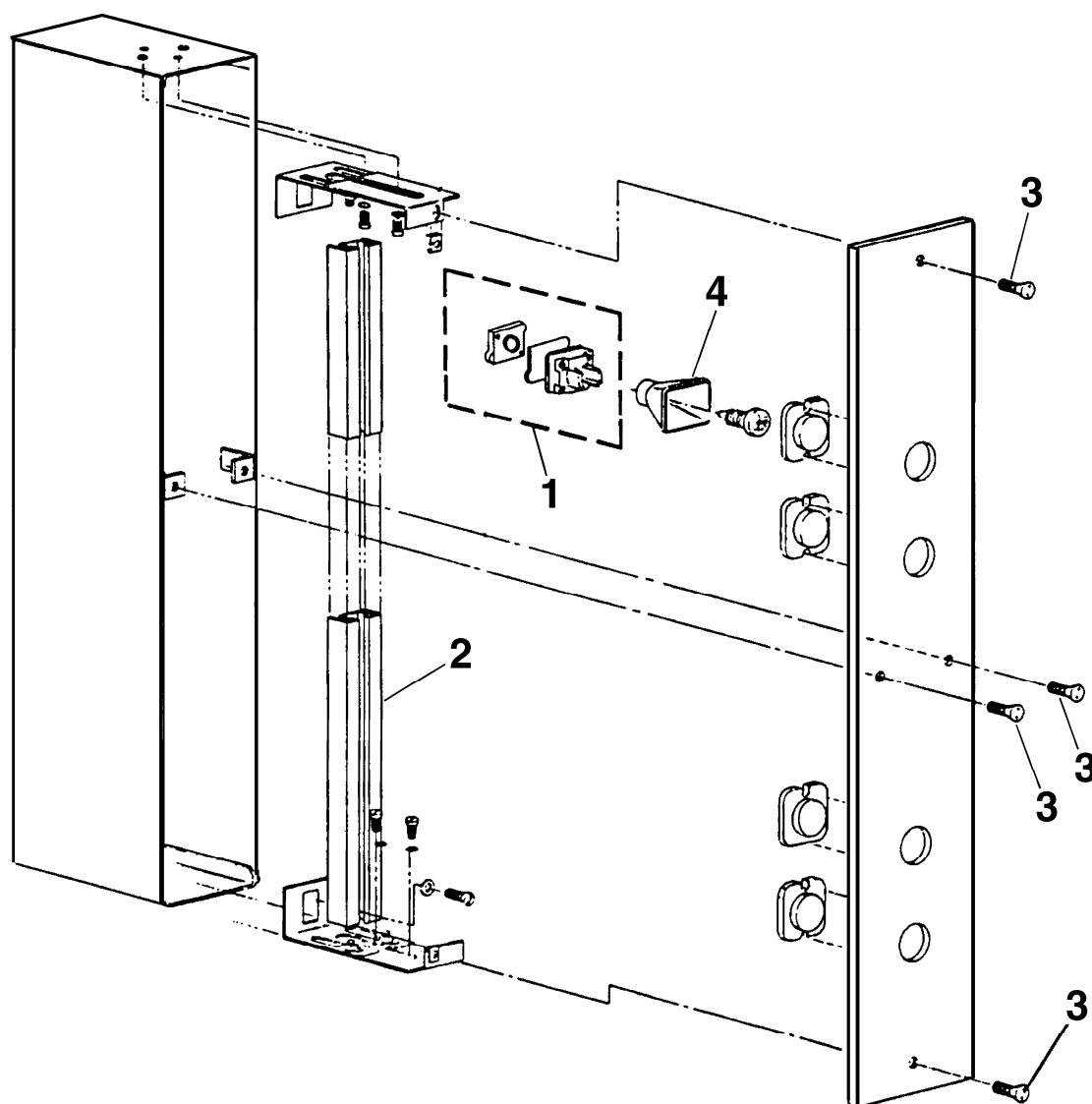
# A6651F Hall Position Indicator w/Round Jewels



**22-6651F**



W/O VINTAGE		
REF. No.	PART No.	DESCRIPTION
1	A313R1	Box, 23 in. L (holds 3–12 indicator fixtures)
	A313R2	Box, 41 in. L (holds 13–23 indicator fixtures)
2	316DAV1	Bracket
3	---	Faceplate Type C147BC (To order, contact your OSC customer service representative.)
4	---	Jewel, Type 499AE,  p. 8
5	424H1	Lamp, Incandescent, 120 V
	AAA629AY19	Lamp, LED, Amber
	AAA629AY22	Lamp, LED, Green
	AAA629AY21	Lamp, LED, Orange
	AAA629AY18	Lamp, LED, Red
	VP-802115 LO424R1	Lamp, Neon

(Continued on next page)

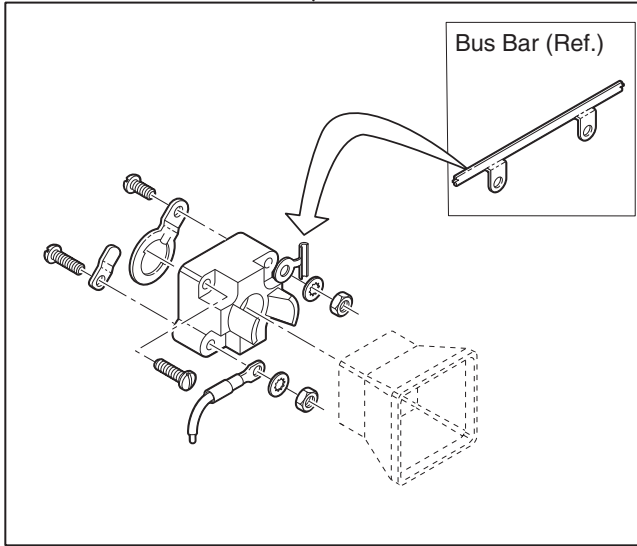
**22-6651F****6651F Hall Position Indicator  
w/Round Jewels****W/O VINTAGE**

<b>REF. No.</b>	<b>PART No.</b>	<b>DESCRIPTION</b>
1	---	Assembly, Lamp Receptacle, Type 6644A,  p. 7
	---	Fastenings, Lamp Receptacle, Material List 2226A,  p. 7
2	105GH9	Plate, 21.62 in. L
	105GH10	Plate, 39.62 in. L
3	124DK6	Screw, Tamper-Resistant, Bronze, 8-32 X 1/2 in. L
	124DK5	Screw, Tamper-Resistant, Stainless Steel, 8-32 X 1/2 in. L
4	278AD4	Shield

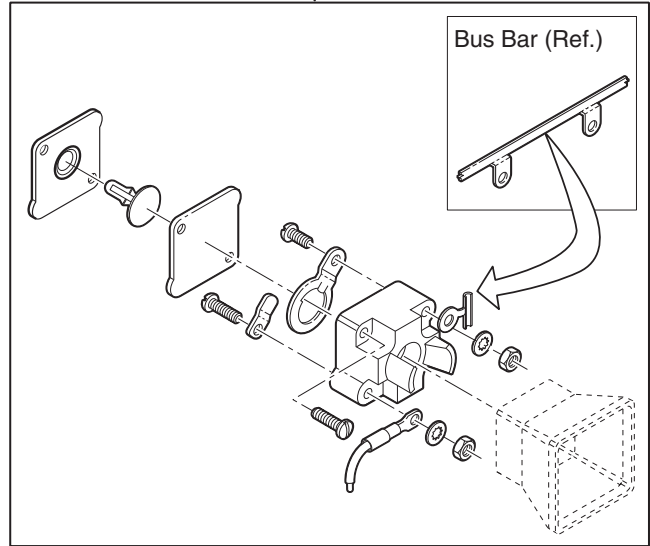
# Lamp Receptacles

22-6651F

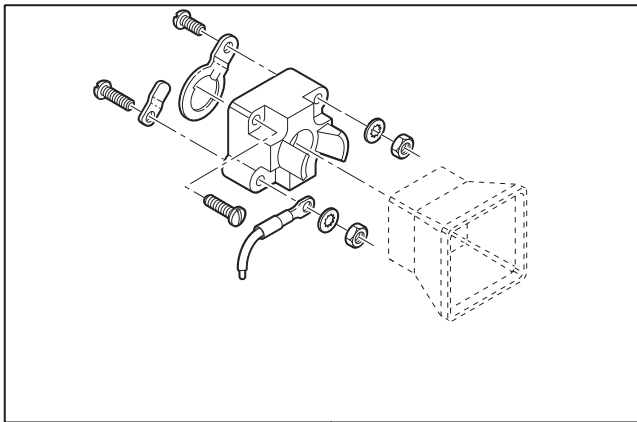
1



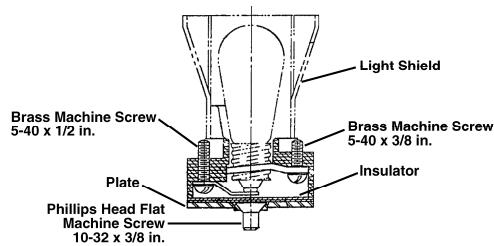
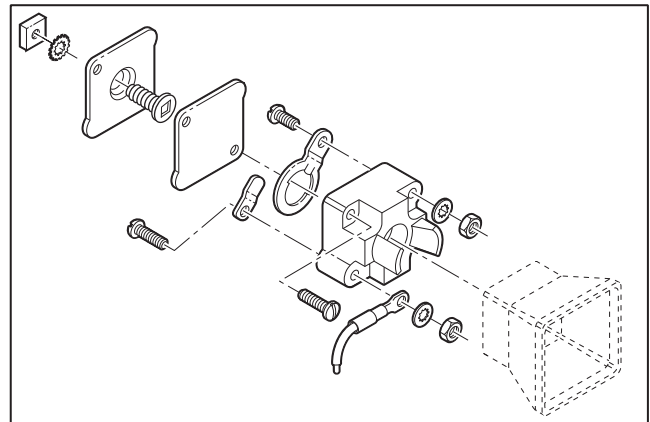
2



3



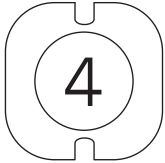
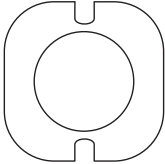

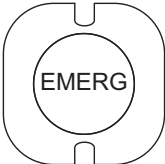
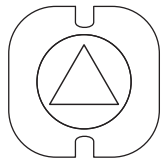
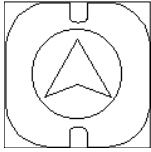
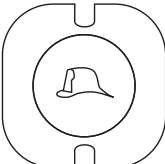
4



**W/O VINTAGE**

REF. No.	PART No.	DESCRIPTION
1	6644A3	Assembly, Lamp Receptacle (for single bus bar connection)
2	2226A2	Assembly, Lamp Receptacle Plus Fastenings (for single bus bar connection), Consists of: (1) 6644A3, (1) Rivet, (1) Insulating Barrier, (1) Plate, and Hardware
3	6644A2	Assembly, Lamp Receptacle (for individual connection)
4	2226A1	Assembly, Lamp Receptacle Plus Fastenings (for individual connection), Consists of: (1) 6644A2, (1) Insulating Barrier, (1) Plate, and Hardware


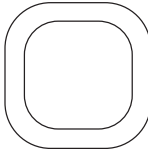

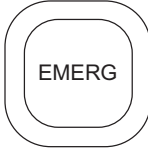
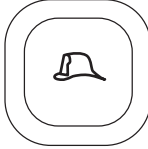

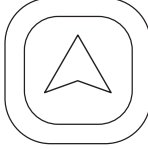
**22-6651F****499AE Round Jewels for A6651F  
Assembly**

<b>W/O VINTAGE</b>	
<b>PART No.</b>	<b>DESCRIPTION</b>
499AE1-* * Indicate the alphanumerical character(s) desired.	
499AE1-BLANK	
499AE1-ELEVATOR EMERGENCY POWER	
499AE1-EMERG	
499AE2	
499AE3	
499AE4	



# 499AD Square Jewels for 6651A Assembly

**22-6651F**

<b>W/O VINTAGE</b>	
<b>PART No.</b>	<b>DESCRIPTION</b>
499AD1-* * Indicate the alphanumerical character(s) desired.	
499AD1-BLANK	
499AD1-ELEVATOR EMERGENCY POWER	
499AD1-EMERG	
499AD1-FIREHAT	
499AD2	
499AD3 Graphic size: 0.5 H x 0.57 W	
499AD4 Graphic size: 0.625 H x 0.710 W	