

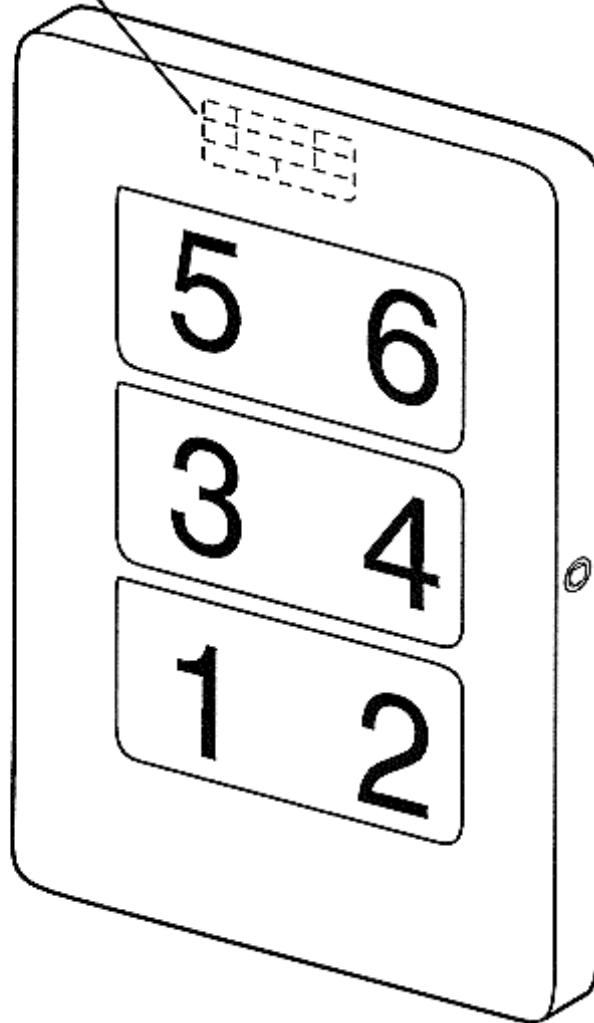
SPL 22-7069AN - Fixture – Assembly Advanced, Raised Hall Position Indicator

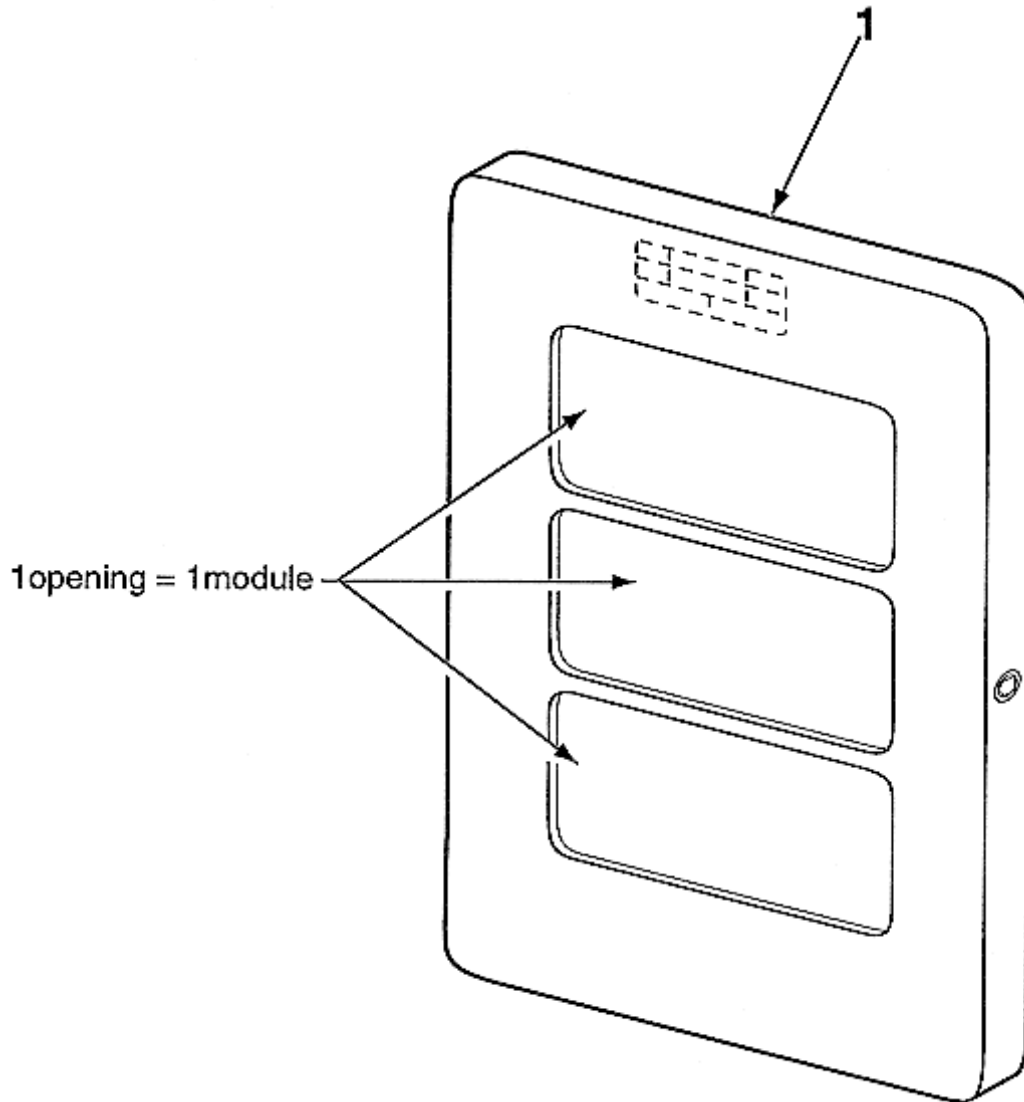
Unpublished Work - © Otis Elevator Company. Any unauthorized reproduction, disclosure, or distribution of copies or content by any person of any portion of this work may be a violation of Copyright Law of the United States of America. All rights reserved.

March 1997

Page 1

22	7069AN	
Y	VINTAGE	Y 01
REV.	EN	

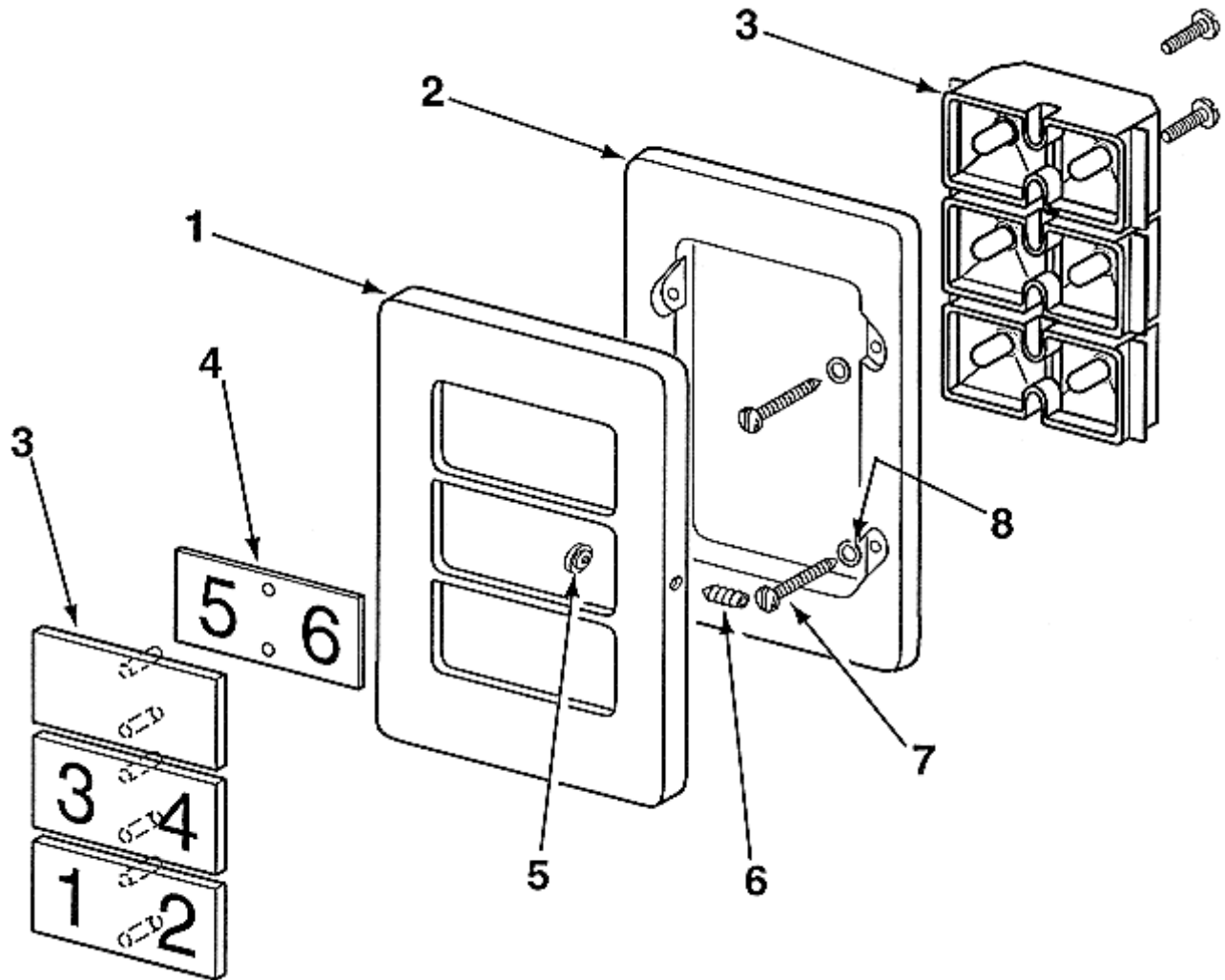




VINTAGE Y 01		HALL POSITION INDICATOR ASSEMBLY
REF. No.	PART OR ML	
		Assembly Consists of: Faceplate, Faceplate Housing, (4) Machine Screws, (4) Washers, and Labels (See Also components on Page 3) For order specify Jewel Modules Separately
1	7069AN1	1 Module, Stainless Steel, Mill Finish 4 (MF4)
	7069AN2	2 Module, Stainless Steel, Mill Finish 4 (MF4)
	7069AN3	3 Module, Stainless Steel, Mill Finish 4 (MF4)
	7069AN4	1 Module, Bronze, Brushed (BR7)
	7069AN5	2 Module, Bronze, Brushed (BR7)
	7069AN6	3 Module, Bronze, Brushed (BR7)

SPL 22-7069AN - Fixture – Assembly Advanced, Raised Hall Position Indicator

Page 3



REF. No.	VINTAGE Y 01 PART OR M.L.	DESCRIPTION
1	147SB4	Faceplate, 1-Module, Bronze, w/ screws
	147SB3	Faceplate, 1-Module, Stainless Steel, w/ screws
	147SB6	Faceplate, 2-Module, Bronze, w/ screws
	147SB5	Faceplate, 2-Module, Stainless Steel, w/ screws
	147SB8	Faceplate, 3-Module, Bronze, w/ screws
	147SB7	Faceplate, 3-Module, Stainless Steel, w/ screws
	TYPE AAA147NX-	Faceplate, See Also SPL 32-AAA147NX
2	396JN1	Housing, Faceplate
3	TYPE 7069AG	Jewel Module, for Detail See Also SPL 31-7069AF
4	TYPE 449BJ	Mask, for Detail See Also SPL 31-7069AF
5	251FA1	Nut, Self-Clinching
6	ISO4027M3X8-45H-Z	Screw, Cone Point Set, M3 x 8mm
7	OBTAIN LOCAL	Screw, 6-32 x 1/1/2 Pan Head, Machine
8	OBTAIN LOCAL	Washer, #6