

**Landing Fixture
Hall Position Assembly:
Flat Slim Display**

Spare Parts Leaflet

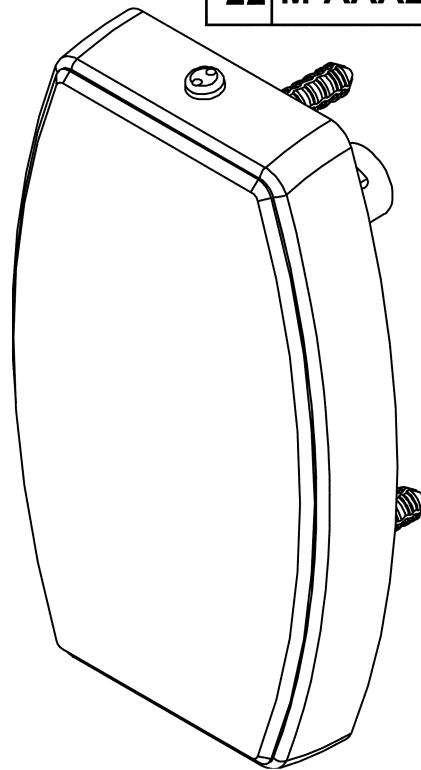
22-AAA23600AB

June 19, 2024 / Page 1 of 3

OBSOLESCENCE NOTICE

The product listed in this SPL is obsolete. Some components may still be available, but Otis recommends an upgrade (see TIP 32.2-1 for potential upgrade).

22 M-AAA23600AB



OTIS

This document does not contain any technical data subject to EAR or ITAR

**SERVICE ENGINEERING
Otis Elevator Company
Bloomfield, Connecticut USA**

Unpublished Work—© Otis Elevator Co.; 2024

History

22-AAA23600AB

Leaflet Description

This leaflet describes the replaceable parts for flat slim display in hall position assembly used in NSAA.

Leaflet Revisions

Date Revised	Subject Matter Expert	Reason for Revision
August 15, 2003	Dennis Rehmer	New SPL
July 15, 2005	Joseph D. Zych	Updated parts list on page 3
June 19, 2024	Juan Murillo	Series 5 fixtures now obsolete.

Related Drawings

Drawing No.	Title	Drawing No.	Title
AAA23600AB	Landing Fixture, Hall Position Assembly, Flat Slim Display	---	---

Related Documents

Document ID	Title
SPL 22-AAA23600Y	Landing Fixture Hall Position Assembly: Large Flat Display
SPL 22-AAA23600X	Landing Fixture Hall Position Assembly: Flat Display

Subject Matter Expert

Name	Department
Juan Murillo	OSC Service Engineering

About Spare Parts Leaflets...

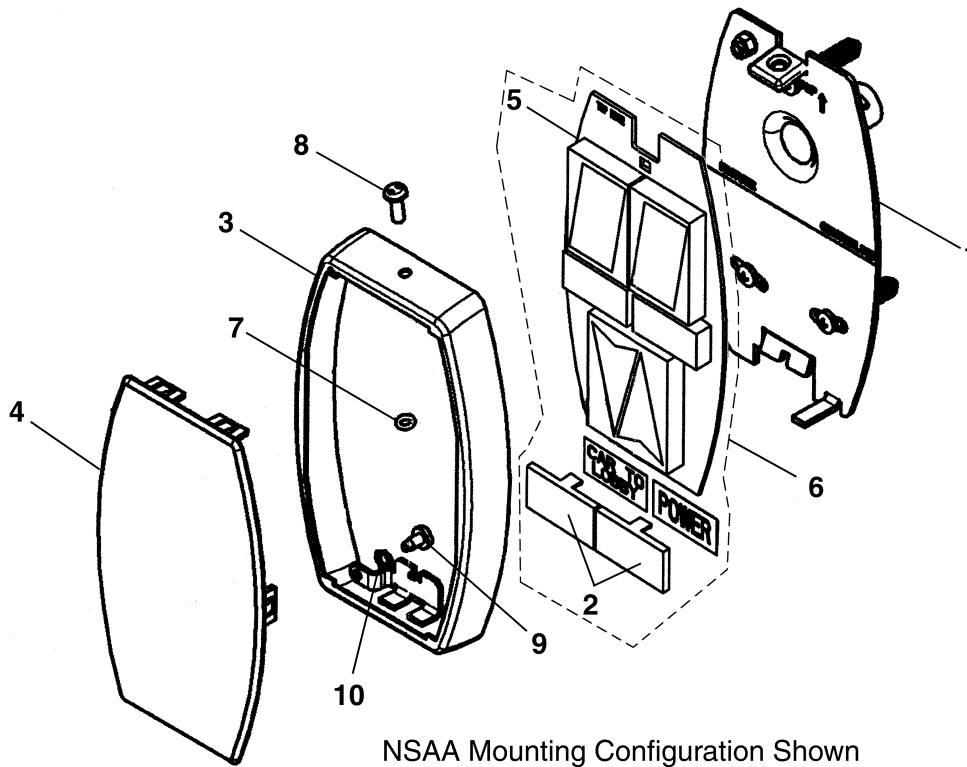
This document lists the lowest replaceable units (LRUs) for the standard version of the product. The LRUs are chosen by a team of Otis associates representing engineering and manufacturing.

While goal of this document is to make parts identification as easy as possible, the document cannot be all-inclusive. Elevator and escalator contracts classified as "special" or "custom" are not addressed here. For such contracts, please refer to specified information, the contract folder, TIPS, Field Education Articles, Construction Letters, etc. for further information.

If you have any suggestions about this document, please contact the subject matter expert listed on this page.

Flat Slim Display Components

22-AAA23600AB



AAA23600AB			
REF. No.	PART No.	DESCRIPTION	
1	AAA308WR2	Box	Non-NSAA Application
	AAA308WR4		NSAA Application
	AAA308WR9		
*	AAA175ABY1	Conductor	
2	AAA629AS100	Cover, OPTO Device	
3	AAA374YZ998-SSB	Frame	Brushed Stainless
	AAA374YZ998-SSM		Mirror Stainless
	AAA374YZ998-GOLDB		Brushed Bronze
	AAA374YZ998-GOLDM		Mirror Bronze
4	AAA443ES1	Lens	
5	ACA26800AGU1	PCB	
6	AAA23600AB500	PCB, RSL, with "Power" and "Car to Lobby" Masks, and Lenses, English	
	AAA23600AB501	PCB, RSL, with "Power" and "Car to Lobby" Masks, and Lenses, French	
7	AAA172TY1	Ring	
8	AAA124HE1	Screw, M4, Tamper Proof	SSB (brushed stainless)
	AAA124HE2		GOLDB (brushed bronze)
	AAA124HE3		SSM (mirror stainless)
	AAA124HE4		GOLDM (mirror bronze)
9	DIN7500CM4X8-Z-Z	Screw, M4x8 Cross Recessed Pan Head Thread Rolling	
10	DIN6797J-M4-350HV-Z	Washer, M4 Internal Tooth Lock	

* Part not shown.