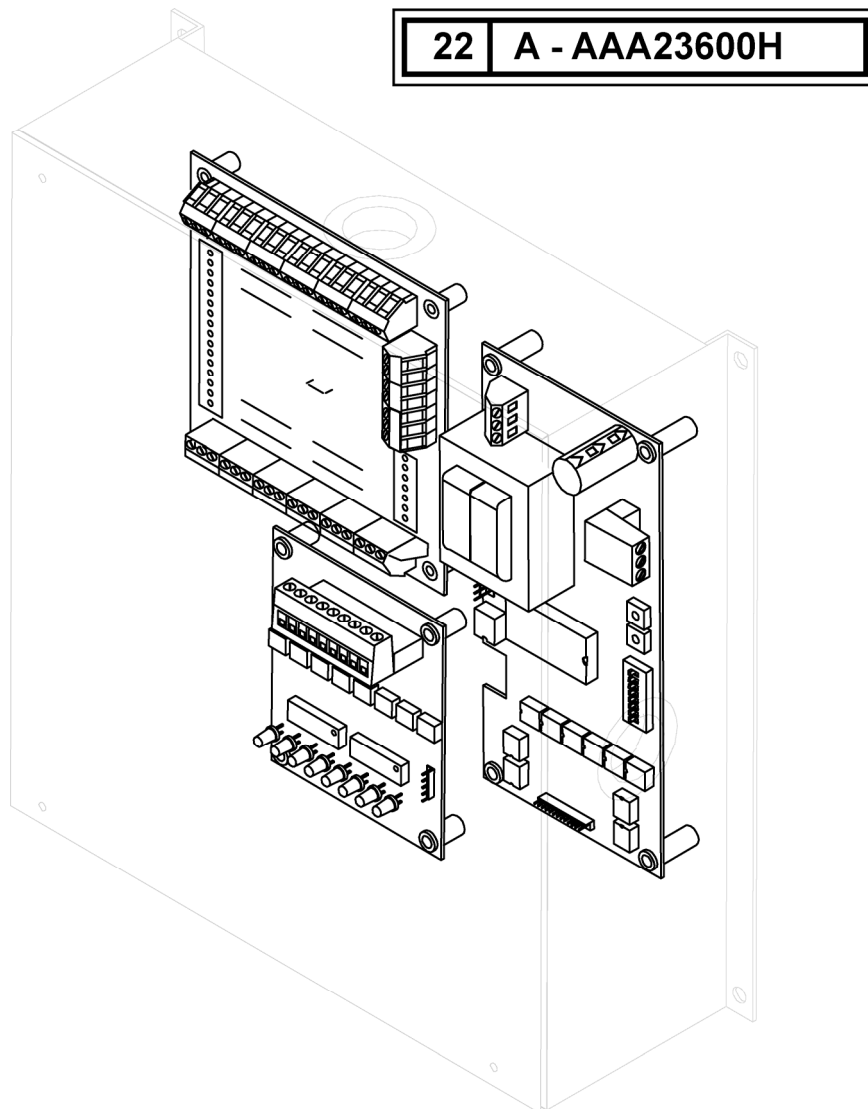


Hall Position Indicator Discrete Input Driver

Spare Parts Leaflet

22-AAA23600H

November 14, 2003 / Page 1 of 5



OTIS

Safety First!

SERVICE ENGINEERING
Otis Elevator Company
Bloomfield, Connecticut USA

Leaflet Description

The leaflet describes the replaceable parts for the identified position indicator drivers. Refer to the related documents section for the associated position indicators.

Leaflet Revisions

Date Revised	Subject Matter Expert	Reason for Revision
November 14, 2003	John Doane	New SPL

Related Drawings

Drawing No.	Title	Drawing No.	Title
AAA25000CW	Switch Settings		

Related Documents

Document ID	Title
SPL 31-AAA25000CP	Car Operating Panel Assembly

Subject Matter Expert

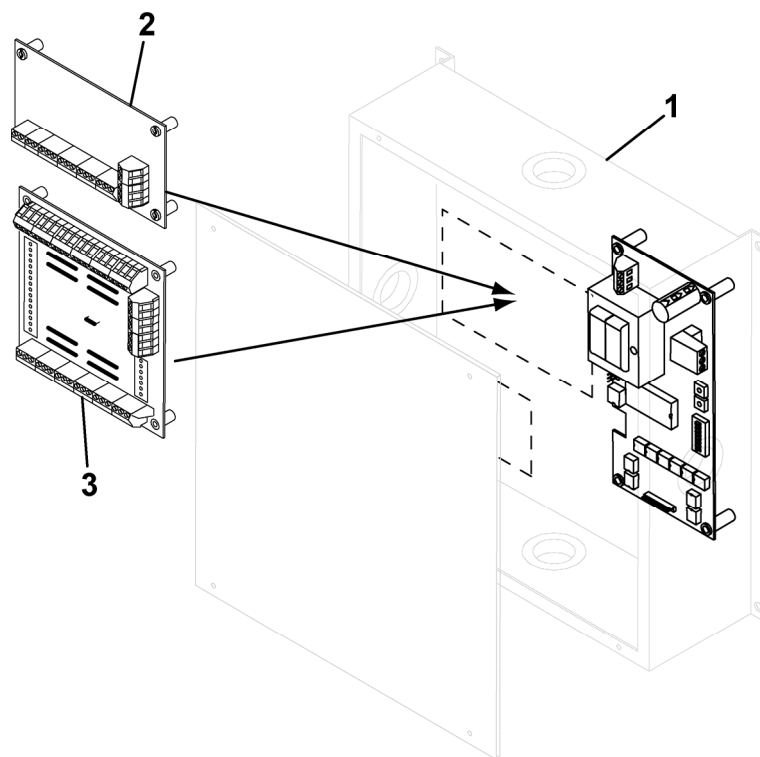
Name	Department
John Doane	OSC Electrical Engineering

About Spare Parts Leaflets...

This document lists the lowest replaceable units (LRUs) for the standard version of the product. The LRUs are chosen by a team of Otis associates representing engineering and manufacturing.

While goal of this document is to make parts identification as easy as possible, the document cannot be all-inclusive. Elevator and escalator contracts classified as "special" or "custom" are not addressed here. For such contracts, please refer to specified information, the contract folder, TIPs, Field Education Articles, Construction Letters, etc. for further information.

If you have any suggestions about this document, please contact the subject matter expert listed on this page.

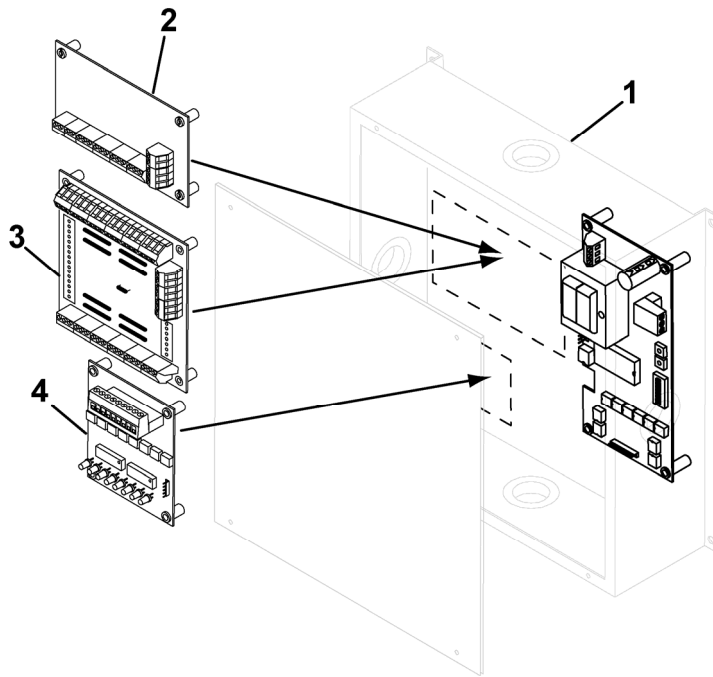


REF. No.	AAA23600H		DESCRIPTION			
	Non-Programmed	Programmed		No. of Stops (up to) & PIs	Voltage	Includes Ref.
1	AAA23600H2	AAA23600H998	Assembly, Position Indicator Driver	8 Stops & 2 PIs	115 VAC	---
	AAA23600H3	AAA23600H997		31 Stops & 2 PIs	115 VAC	3
	AAA23600H5	AAA23600H995		16 Stops & 4 PIs	115 VAC	2
	AAA23600H6	AAA23600H996		16 Stops & 4 PIs	24 VDC(-)	2
	AAA23600H7	AAA23600H993		8 Stops & 4 PIs	115 VAC	---
	AAA23600H8	AAA23600H992		8 Stops & 4 PIs	24 VDC(-)	---
	2	AAA23600H9		PC Board, Decoder, Discrete to Binary, 15 Positive Inputs		
AAA23600H10		PC Board, Decoder, Discrete to Binary, 15 Negative Inputs				
3	---		PC Board, Decoder, Discrete to Binary, 31 Positive Inputs			

NOTES: All position indicator driver assemblies come equipped with a control driver board and housing box with cover. Any additional functional components included with the assembly are indicated in the table.

Drivers AAA23600H are furnished with an EEPROM that is programmed with the building-specific floor markings. When ordering a replacement indicator, it is necessary to either:

1. Order non-programmed driver (e.g., AAA23600H2) and transfer the programmed EEPROM from the existing indicator to the replacement unit.
2. Order preprogrammed indicator (e.g., AAA23600H998), specifying the floor markings to be programmed by OSC.



AAA22600H						
REF. No.	PART No.	DESCRIPTION				
1	Non-Programmed	Programmed	Assembly, Position Indicator Driver, with Message Module	No. of Stops (up to) & PIs	Voltage	Includes Ref.
	AAA23600H12	AAA23600H990		8 Stops & 2 PIs	115 VAC	4
	AAA23600H13	AAA23600H989		31 Stops & 2 PIs	115 VAC	3 & 4
	AAA23600H15	AAA23600H987		16 Stops & 4 PIs	115 VAC	2 & 4
	AAA23600H16	AAA23600H986		16 Stops & 4 PIs	24 VDC(-)	2 & 4
	AAA23600H17	AAA23600H985		8 Stops & 4 PIs	115 VAC	4
	AAA23600H18	AAA23600H984		8 Stops & 4 PIs	24 VDC(-)	4
2	AAA23600H9		PC Board, Decoder, Discrete to Binary, 15 Positive Inputs			
	AAA23600H10		PC Board, Decoder, Discrete to Binary, 15 Negative Inputs			
3	---		PC Board, Decoder, Discrete to Binary, 31 Positive Inputs			
4	AAA23600H19		PC Board, Message Module, 8, 115 VAC Inputs			
	AAA23600H20		PC Board, Message Module, 8, 24 VDC Negative Inputs			

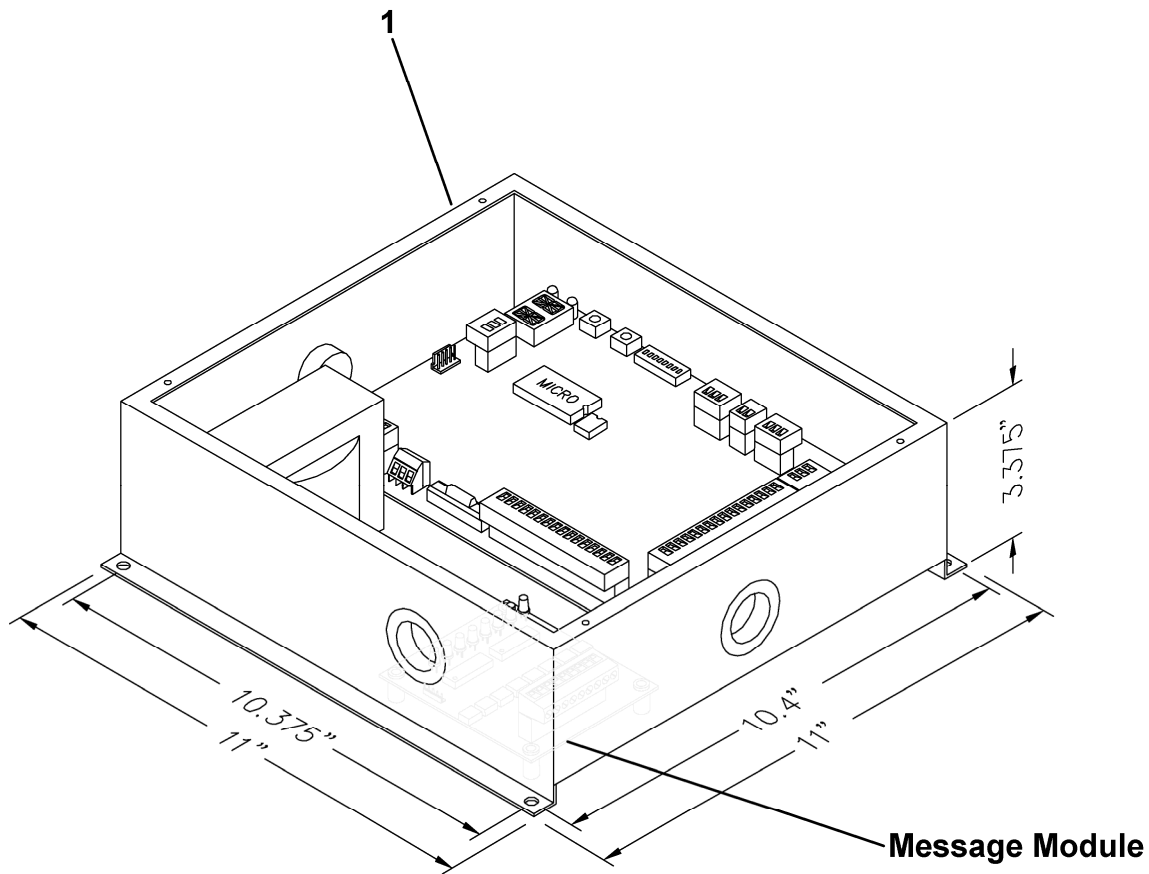
NOTES: All position indicator driver assemblies come equipped with a control driver board and housing box with cover. Any additional functional components included with the assembly are indicated in the table.

Drivers AAA23600H are furnished with an EEPROM that is programmed with the building-specific floor markings. When ordering a replacement indicator, it is necessary to either:

1. Order non-programmed driver (e.g., AAA23600H12) and transfer the programmed EEPROM from the existing indicator to the replacement unit.
2. Order preprogrammed indicator (e.g., AAA23600H990), specifying the floor markings to be programmed by OSC.

Central Control Units

22-AAA23600H



REF. No.	AAA23600H		DESCRIPTION		
	Non-Programmed	Programmed		No. of Stops (up to) & Pls	Voltage
1	AAA23600H1	AAA23600H999	Assembly, Central Control Unit with Lantern Operation, SES Blanking, and Basic Speech	31 Stops & 31 Pls	115 VAC
	AAA23600H4	AAA23600H996			24 VDC(-)
	AAA23600H11	AAA23600H991	Assembly, Central Control Unit with Lantern Operation, SES Blanking, Full Speech, and with Message Module		115 VAC
	AAA23600H14	AAA23600H988			24 VDC(-)

NOTES: Drivers AAA23600H are furnished with an EEPROM that is programmed with the building-specific floor markings. When ordering a replacement indicator, it is necessary to either:

1. Order non-programmed driver (e.g., AAA23600H1) and transfer the programmed EEPROM from the existing indicator to the replacement unit.
2. Order preprogrammed indicator (e.g., AAA23600H999), specifying the floor markings to be programmed by OSC.