

**Landing Fixture  
Hall Position Assembly:  
Large Flat Display**

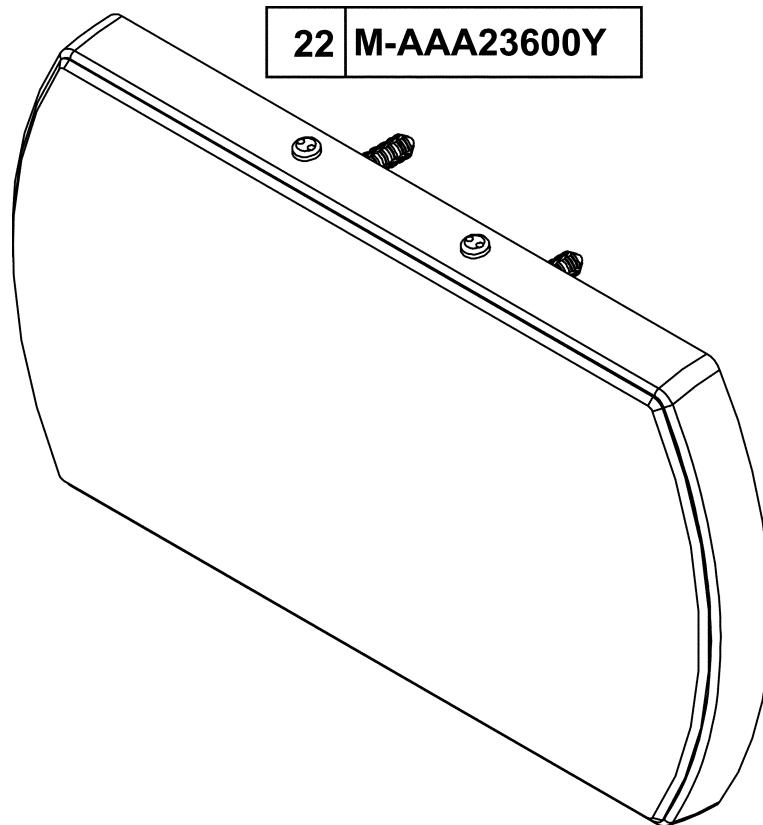
**Spare Parts Leaflet**

**22-AAA23600Y**

June 19, 2024 / Page 1 of 3

# OBSOLESCENCE NOTICE

The product listed in this SPL is obsolete. Some components may still be available, but Otis recommends an upgrade (see TIP 32.2-1 for potential upgrade).



**OTIS**

This document does not contain any technical data subject to EAR or ITAR

**SERVICE ENGINEERING  
Otis Elevator Company  
Bloomfield, Connecticut USA**

Unpublished Work—© Otis Elevator Co.; 2024

# History

**22-AAA23600Y**

## Leaflet Description

This leaflet describes the replaceable parts for large flat display in hall position assembly used in NSAA.

### Leaflet Revisions

Date Revised	Subject Matter Expert	Reason for Revision
August 15, 2003	Dennis Rehmer	New SPL
July 7, 2005	Joseph D. Zych	Corrected and updated parts list on page 3.
July 25, 2012	Joseph D. Zych	Added FS4 material finish
June 19, 2024	Juan Murillo	Series 5 fixtures now obsolete.

### Related Drawings

Drawing No.	Title	Drawing No.	Title
AAA23600Y	Landing Fixture, Hall Position Assembly, Large Flat Display	---	---

### Related Documents

Document ID	Title
SPL 22-AAA23600AB	Landing Fixture Hall Position Assembly: Flat Slim Display
SPL 22-AAA23600X	Landing Fixture Hall Position Assembly: Flat Display

### Subject Matter Expert

Name	Department
Juan Murillo	OSC Service Engineering

### About Spare Parts Leaflets...

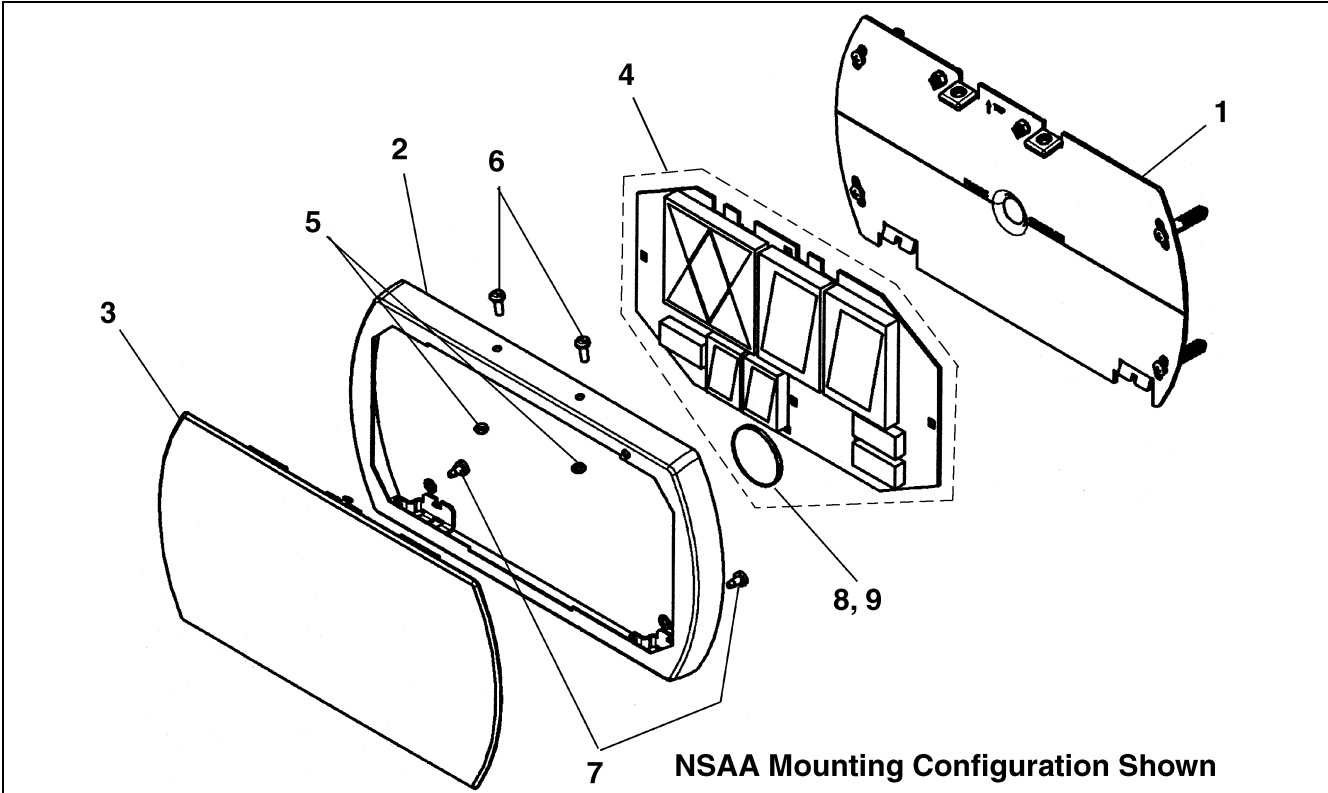
This document lists the lowest replaceable units (LRUs) for the standard version of the product. The LRUs are chosen by a team of Otis associates representing engineering and manufacturing.

While goal of this document is to make parts identification as easy as possible, the document cannot be all-inclusive. Elevator and escalator contracts classified as "special" or "custom" are not addressed here. For such contracts, please refer to specified information, the contract folder, TIPs, Field Education Articles, Construction Letters, etc. for further information.

If you have any suggestions about this document, please contact the subject matter expert listed on this page.

# Large Flat Display Components

**22-AAA23600Y**



<b>AAA23600Y</b>			
<b>REF. No.</b>	<b>PART No.</b>	<b>DESCRIPTION</b>	
1	AAA308WR4 AAA308WR8	Box	
*	AAA175ABY1 AAA175ABY4	Conductor	
2	AAA374YW998-FS4 AAA374YW998-SSB AAA374YW998-SSM AAA374YW998-GOLDB AAA374YW998-GOLDM	Frame	Ferritic Steel Brushed Stainless Mirror Stainless Brushed Bronze Mirror Bronze
3	AAA443EQ1	Lens	
4	AAA23600Y500	PCB, RSL, Including "Next Stop" Mask, Lens, Tape, and Transducer	
5	AAA172TY1	Ring	
6	AAA124HE1 AAA124HE2 AAA124HE3 AAA124HE4	Screw, M4, Tamper Resistant	FS4 (Ferritic steel) SSB (brushed stainless) GOLDB (brushed bronze) SSM (mirror stainless) GOLDM (mirror bronze)
7	DIN7500CM4X8-Z-Z	Screw, M4x8 Cross Recessed Pan Head Thread Rolling	
8	AAA297BK2	Tape, Adhesive	
9	AAA655D1	Transducer, Communications (w/o adhesive tape, ref. 8)	

\* Part not shown.