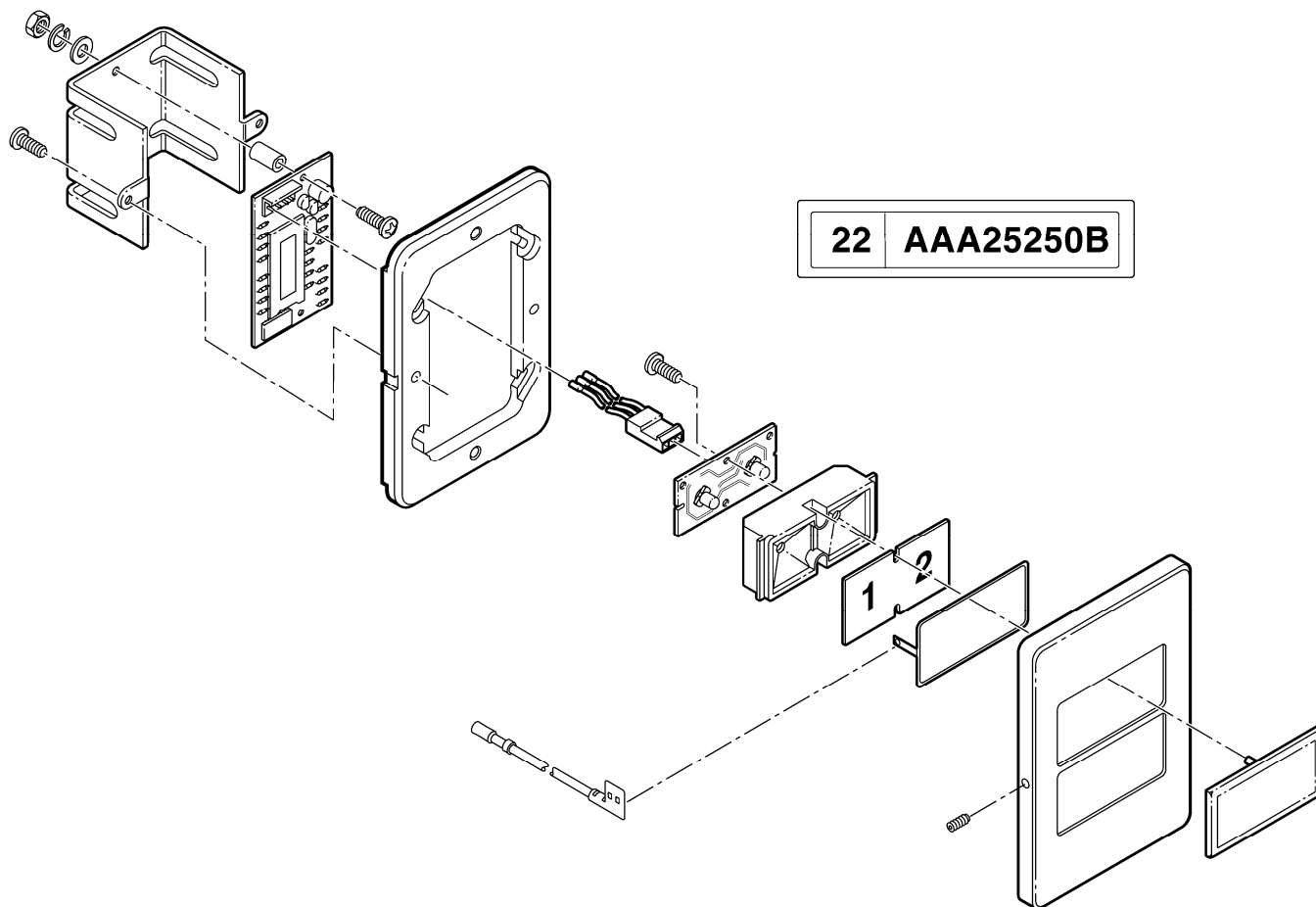


**Multi-Light
Hall Panel
Instrument**

Spare Parts Leaflet

22-AAA25250B

April 1, 2000 / Page 1 of 3



OTIS

Safety First!

SERVICE ENGINEERING

**Otis Elevator Company
Bloomfield, Connecticut USA**

History
22-AAA25250B
First Published: April 1, 2000

<p>Multi-Light Hall Panel Instrument</p>

REVISED DATE	RESPONSIBLE ENGINEER	PRIMARY REASON FOR REVISION
April 1, 2000	Val Minnes	New leaflet, initial release.

Leaflet Description

This leaflet provides spare parts information for type AAA25250B multi-light hall panel instrument.

RELATED LEAFLET NUMBERS	TITLES
---	---

DRAWING REFERENCES
AAA25250B

RELATED DOCUMENT NUMBERS	TITLES
---	---

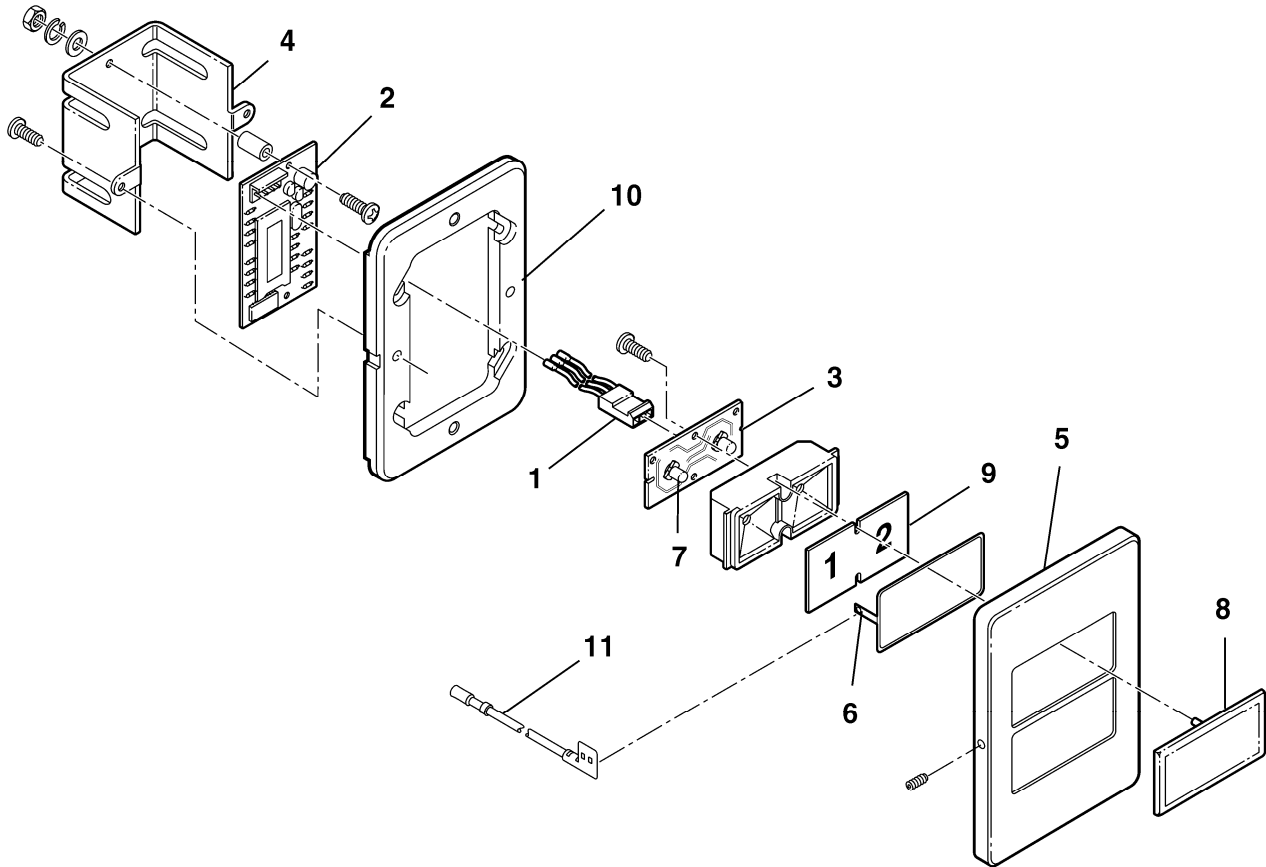
This Spare Parts Leaflet (SPL) is prepared to assist you in determining the Lowest Replaceable Units (LRU) supported by the Otis Service Center for the standard version of the product titled on the preceding page. The parts are chosen by Otis associates from: Engineering, Field Engineering, Service Engineering, and Manufacturing. We attempt to make part identification as easy as possible. The SPL, however, cannot be all inclusive. Elevator and escalator contracts classified as either "special" or "custom" are not addressed. Alternative sources of information such as: the Contract Folder, Technical Information Publications, Field Education Articles, Construction Letters, etc. may give the information you are after. You live in the real world of maintaining your elevator and escalator contracts. On a daily basis, situations arise regarding parts identification and at times, for some reason, the part you need is not in the SPL. If you think a standard part not listed should be—let us know. We will respond.

--

Val Minnes—OSC Service Engineering

Hall Panel Instrument Components

**22-
AAA25250B**



REF. NO.	AAA25250B PART or ML	DESCRIPTION
1	174GV3	Assembly, Cable
2	GCA23550D1	Board, RS5
3	8200JA1	Board, PC
	AAA26800PB1	30 V Application
	AAA26800PB2	12 V Application
4	316EAV1	6 V Application
4	316EAV1	Bracket, RS4
5	AAA147NX10- *	Faceplate
6	298SC1	Grounding, Strip
7	424R1	Lamp, 28 V (used w/PC Board 8200JA1)
	424R2	Lamp, 14 V (used w/PC Board AAA26800PB1)
	424R3	Lamp, 6.3 V (used w/PC Board AAA26800PB2)
8	---	Lens, Type 443CB SPL 31-443CB
9	---	Mask, Type 449BJ, SPL 31-449BJ
10	A396JN1	Panel, Housing
11	174DD11	Wire, Ground

* Add material/finish designation: BR7 = Brushed Brass, BR8 = Mirror Brass, SS4 = Brushed Stainless Steel, or SS8 = Mirror Stainless Steel.