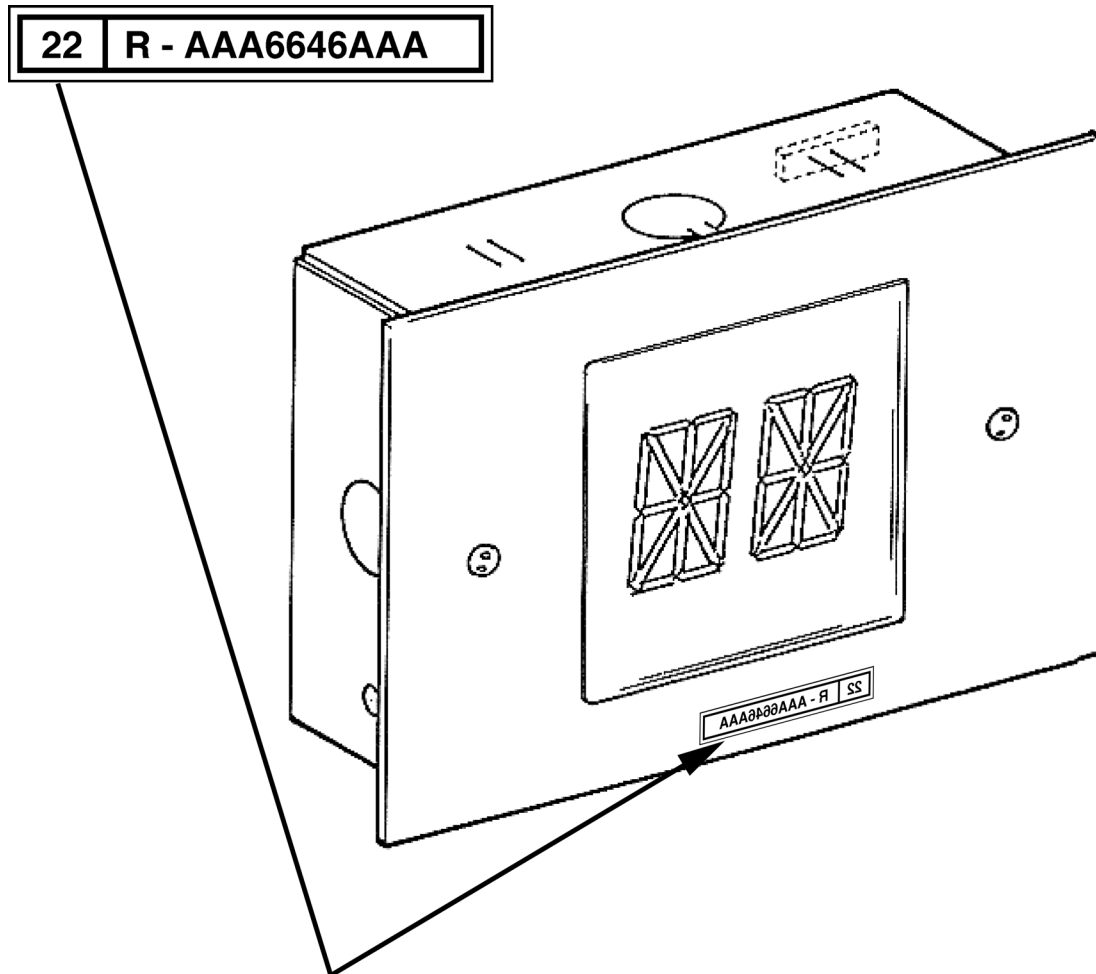


Hall Position Indicator, Serial

Spare Parts Leaflet

22-AAA6646AAA

December 20, 2023 / Page 1 of 4



OTIS

This document does not contain any technical information subject to the EAR.

SERVICE ENGINEERING
Otis Elevator Company
Bloomfield, Connecticut USA

Unpublished Work—© Otis Elevator Co.; 2023

Leaflet Description

This is a Series 1 (Advanced) fixture used in both new equipment and modernization products.

Leaflet Revisions

Date Revised	Subject Matter Expert	Reason for Revision
March 1, 1996	Jeff Costley (Technical Writer)	New SPL
December 1, 1996	---	Update parts.
November 11, 2009	Joseph A. Zych	Update remote station pc board part number. Information for type 6646EF position indicator moved to its own SPL.
December 20, 2023	Vadzim Fedarenka	Added "serial" to SPL title. Superseded ACA26800HJ1 to ACA26800AJX-8. Added 443CC4. Updated 443CC1 description. Added ordering process.

Related Drawings

Drawing No.	Title	Drawing No.	Title
AAA6646AAA	Assembly, Hall Position Indicator		

Related Documents

Document ID	Title
SPL 22-6646EF	Position Indicator, Discrete

Subject Matter Expert

Name	Department
Vadzim Fedarenka	OSC Service Engineering

About Spare Parts Leaflets...

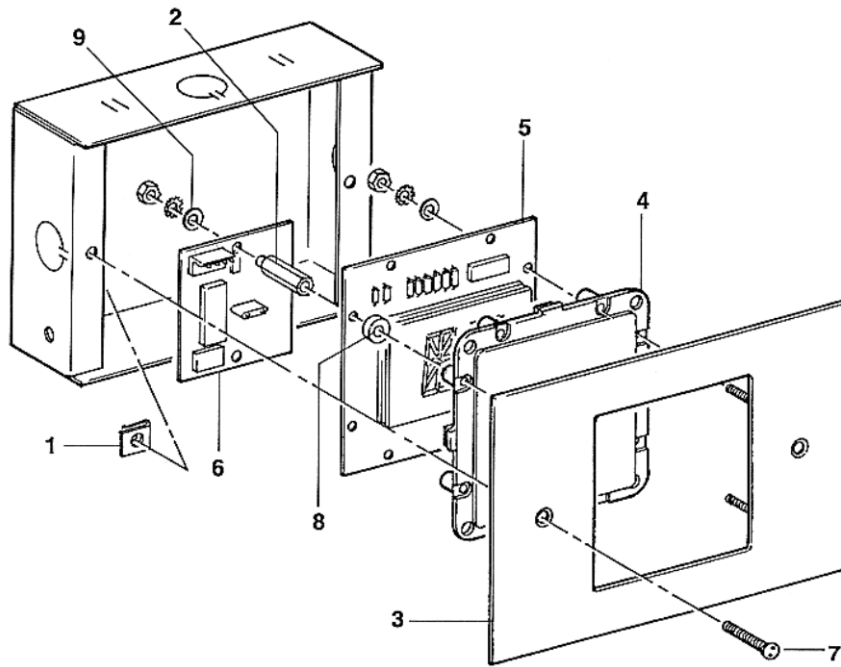
This document lists the lowest replaceable units (LRUs) for the standard version of the product. The LRUs are chosen by a team of Otis associates representing engineering and manufacturing.

While goal of this document is to make parts identification as easy as possible, the document cannot be all-inclusive. Elevator and escalator contracts classified as "special" or "custom" are not addressed here. For such contracts, please refer to specified information, the contract folder, TIPs, Field Education Articles, Construction Letters, etc. for further information.

If you have any suggestions about this document, please contact the subject matter expert listed on this page.

Hall Position Indicator

22-AAA6646AAA



AAA6646AAA		
REF. No.	PART OR ML	DESCRIPTION
1	72BX7	Clip
2	354AG99	Distance Piece
3	147MT1	Faceplate, Stainless Steel, Brushed Finish
	147MT2	Faceplate, Brass, Brushed Finish
	147MT3	Faceplate, Stainless Steel, Mirror Finish
	147MT4	Faceplate, Brass, Mirror Finish
	147MT5	Faceplate, Stainless Steel, Mill 4 Finish
4	443CC1	Lens, Green
	443CC4	Lens, Grey
5	ACA26800HJ1	PC Board, Position Indicator, 30 VDC
	ACA26800AJX1	PC-Board, 2-Digit Position Indicator, 2 in. LED, Red
	ACA26800AJX4	PC-Board, 2-Digit Position Indicator, 2 in. LED, Green
	ACA26800AJX5	PC-Board, 2-Digit Position Indicator, 2 in. LED, Blue
	ACA26800AJX6	PC-Board, 2-Digit Position Indicator, 1.2 in. LED, Red
	ACA26800AJX7	PC-Board, 2-Digit Position Indicator, 1.2 in. LED, Green
	ACA26800AJX8	PC-Board, 2-Digit Position Indicator, 1.2 in. LED, Blue
6	GFA23550D1	PC Board, Remote Station 5
7	124DK1	Screw, Spanner Head, Stainless Steel, Brushed Finish
	124DK2	Screw, Spanner Head, Brass, Brushed Finish
	124DK13	Screw, Spanner Head, Stainless Steel, Mirror Finish
	124DK14	Screw, Spanner Head, Brass, Mirror Finish
8	462GV1	Spacer, 0.125 in. Wide
9	462GV4	Spacer, 0.030 in. Wide

AAA6646AAA HPI Ordering Process

When ordering, complete the part number with extensions as shown below.

**Available Options:**

Arrangement

- AAA6646AAA1 – Horizontal
- AAA6646AAA2 – Vertical

Indicating Digit Size

- 1.2 in.
- 2 in.

Illumination Colors

- Red
- Green
- Blue

Faceplate Finish

- FS4 – brushed ferritic stainless steel
- SS8 – mirrored stainless steel
- BR7 – brushed brass
- BR8 – mirrored brass