

Retrofit Operator
Type: 7777A to QL

Spare Parts Leaflet

23-1F-C7777A

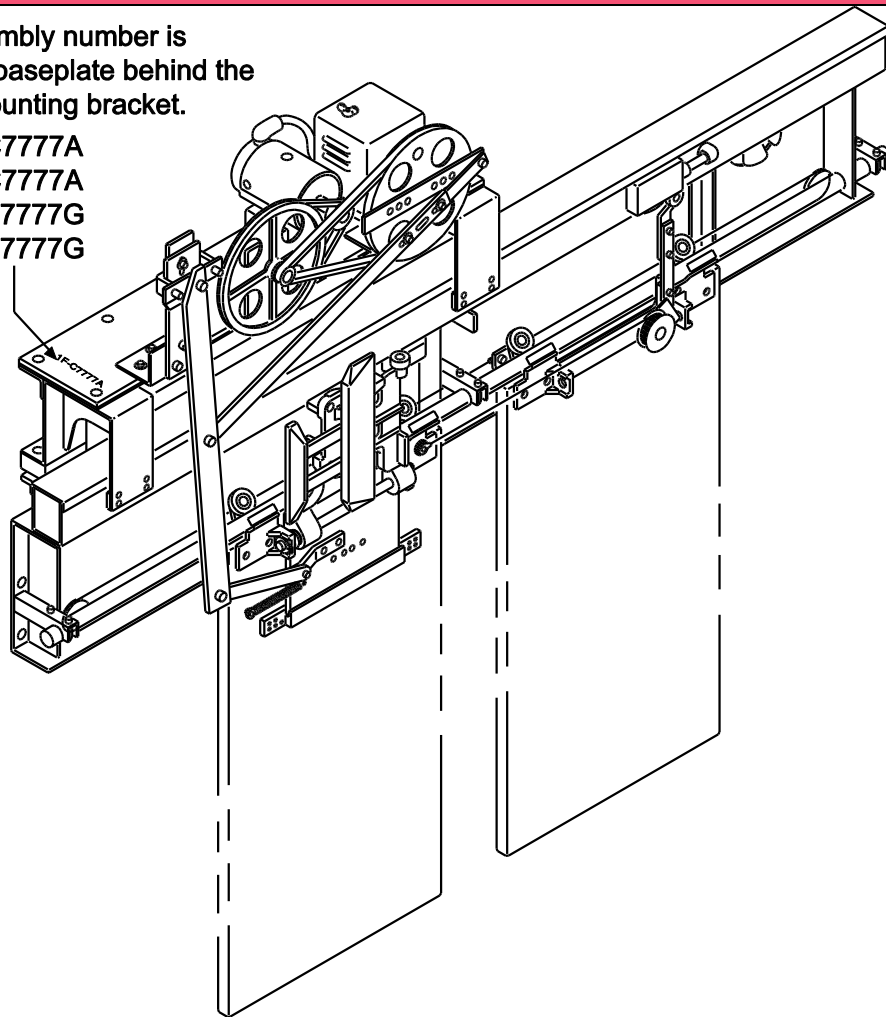
December 1, 2000 / Page 1 of 7

OBSOLESCENCE NOTICE

The product covered in this SPL has been designated as obsolete and is no longer supported. See TIP 32.2-1, *Obsolete Components*, for potential upgrade. Replacement lower level parts listed within and unique to this design are not being restocked when depleted. Some of these parts, depending on availability and other factors, may be quoted through Customer Service, but most will have extended lead times and increased cost due to low volume production.

Retrofit assembly number is stamped on baseplate behind the drive arm mounting bracket.

1F-C7777A
2F-C7777A
1F-C7777G
2F-C7777G



Unpublished Work—© Otis Elevator Co.; 2000

OTIS

Safety First!

SERVICE ENGINEERING

Otis Elevator Company
Bloomfield, Connecticut USA

History
23-1F-C7777A
First Published: November 1993

Retrofit Operator Type: 7777A to QL
--

REVISED DATE	RESPONSIBLE ENGINEER	PRIMARY REASON FOR REVISION
November 1, 1993	J. Costley (Technical Writer)	Initial SPL preparation
December 1, 2000	D. Stupienski	Parts changes

Leaflet Description

This SPL lists the lowest replaceable units (LRUs) and supporting SPLs for a retrofitted 7777A (screw type) door operator to the Harmonic Drive QL door operator. This SPL also supports the retained components from the 7777A screw-type operator including the vane assembly (clutch), hanger assemblies, cab fan, gate switch and roller, aricord drive assembly, and door closer assembly formerly supported by SPL C-3049.

RELATED LEAFLET NUMBERS	TITLES
10-7782P	Door Operator Retrofit Controller
23-7782AA	Harmonic Drive "QL" Operator
C-3049	7777A Door Operator

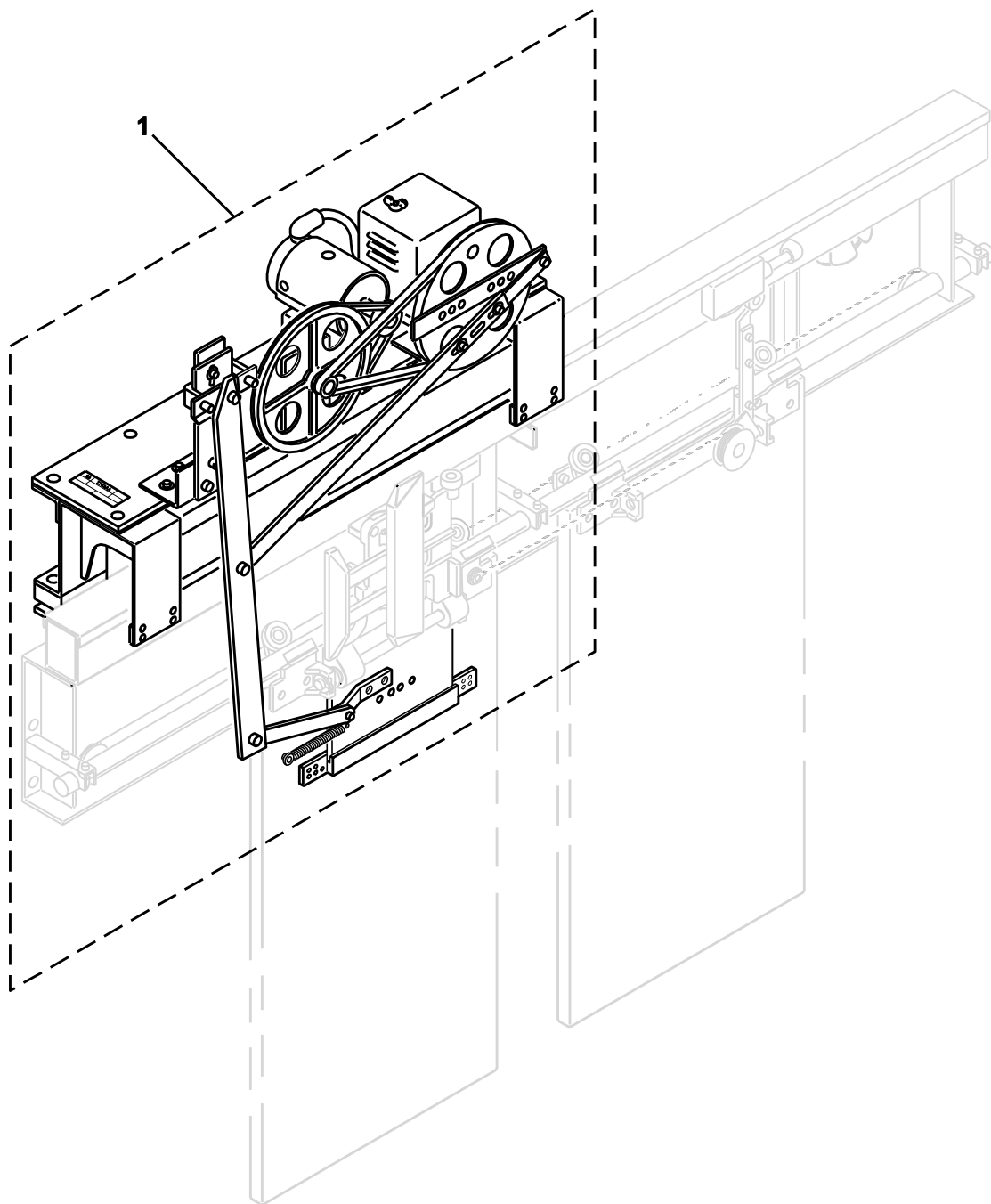
DRAWING REFERENCES
1F-C7777A
1F-C7777G

RELATED DOCUMENT NUMBERS	TITLES
22.9-27	Discontinuation of Certain 7777A Door Operator Parts
22.9-21	7777 Operator Retrofit Used on Hydraulic and MRVF Elevators

This Spare Parts Leaflet (SPL) is prepared to assist you in determining the Lowest Replaceable Units (LRU) supported by the Otis Service Center for the standard version of the product titled on the preceding page. The parts are chosen by Otis associates from: Engineering, Field Engineering, Service Engineering, and Manufacturing. We attempt to make part identification as easy as possible. The SPL, however, cannot be all inclusive. Elevator and escalator contracts classified as either "special" or "custom" are not addressed. Alternative sources of information such as: the Contract Folder, Technical Information Publications, Field Education Articles, Construction Letters, etc. may give the information you are after. You live in the real world of maintaining your elevator and escalator contracts. On a daily basis, situations arise regarding parts identification and at times, for some reason, the part you need is not in the SPL. If you think a standard part not listed should be—let us know. We will respond.

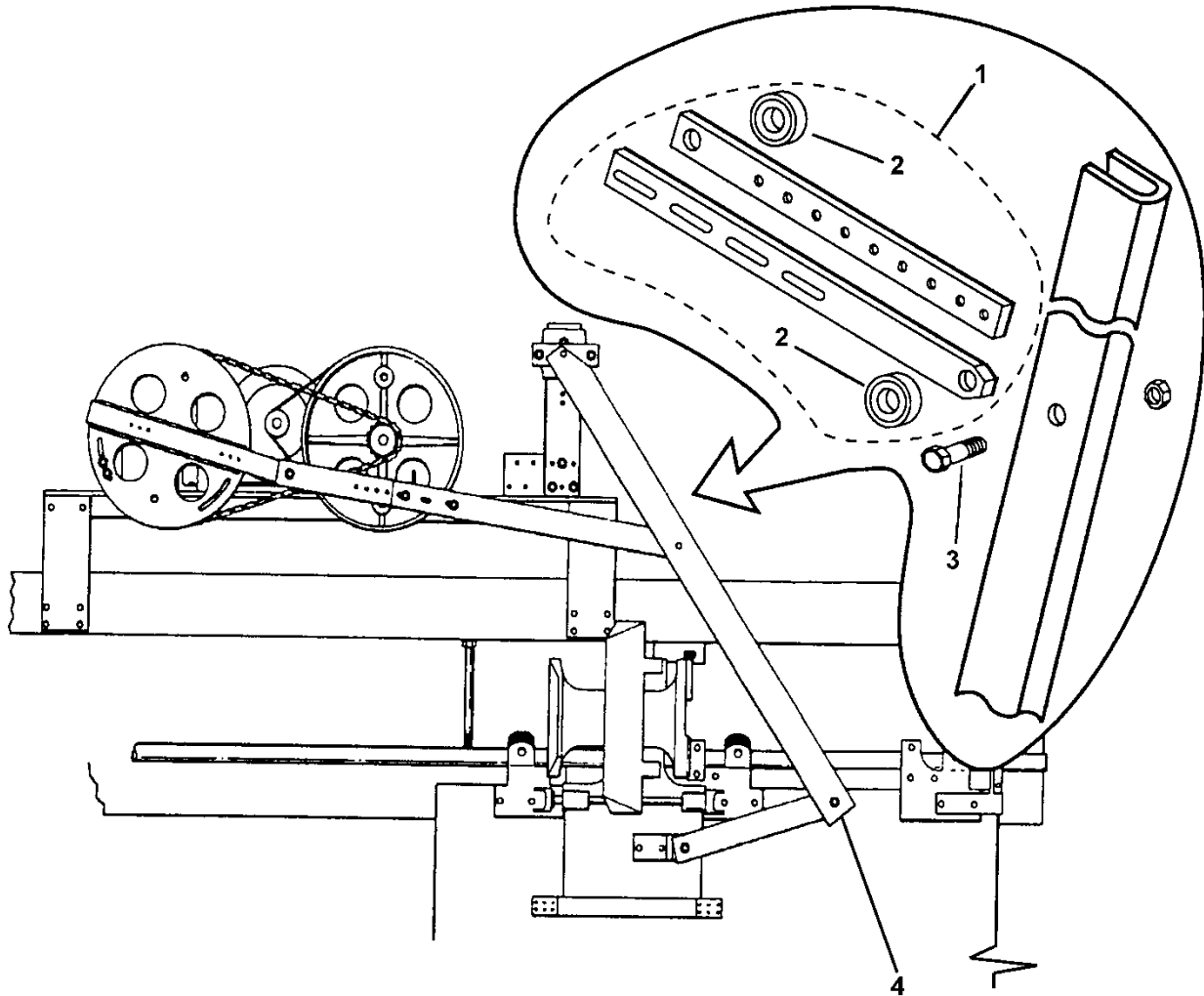
--

Duane Stupienski-Service Engineering



REF. NO.	W/O VINTAGE PART or ML	DESCRIPTION
1	---	Assembly, Retrofit QL Harmonic Door Operator. See your Modernization Sales Release binder for ordering of the retrofit door operator.

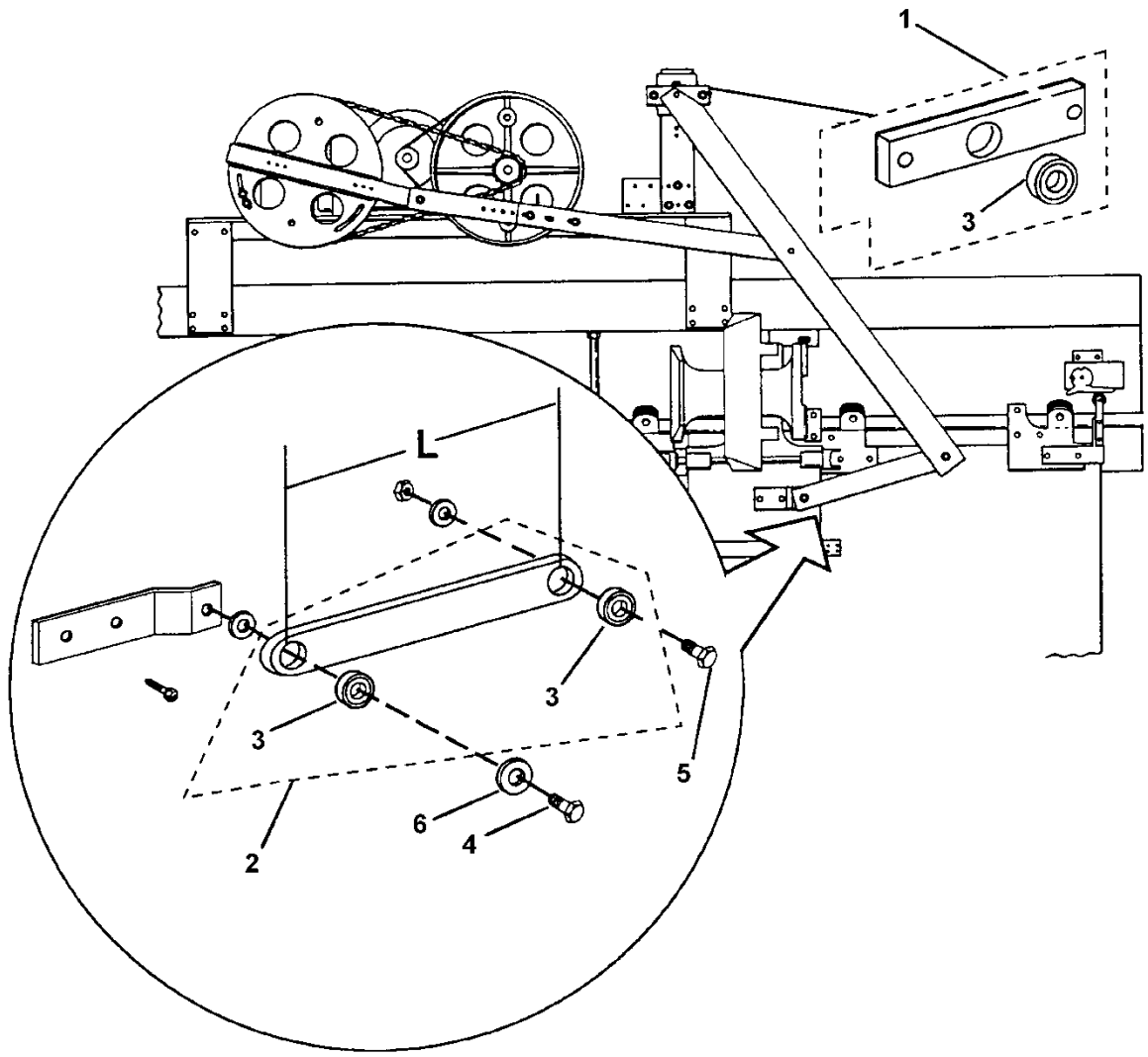
Drive Arm Assembly



W/O VINTAGE					
REF. NO.	PART or ML	DESCRIPTION	CAB HEIGHT (IN)	DOOR TYPE	DOOR OPENING (IN)
1	395F1	Assembly, Transmission Arm		---	
2	209AN3	Bearing, 0.875 in. \varnothing			
3	58AP1	Bolt, Shoulder, 1.25 in. L, 3/8-16 Threads			
4	1C-288TJ9	Drive Arm, 34.68 in. L	96	Center-Opening	42
	1C-288TJ8	Drive Arm, 37.24 in. L		Single-Slide	36
	1C-288TJ7	Drive Arm, 38.87 in. L			42
	1C-288TJ10	Drive Arm, 45.06 in. L	115	Center-Opening	42
	1C-288TJ12	Drive Arm, 49.67 in. L		Single-Slide	36
	1C-288TJ11	Drive Arm, 50.81 in. L			42

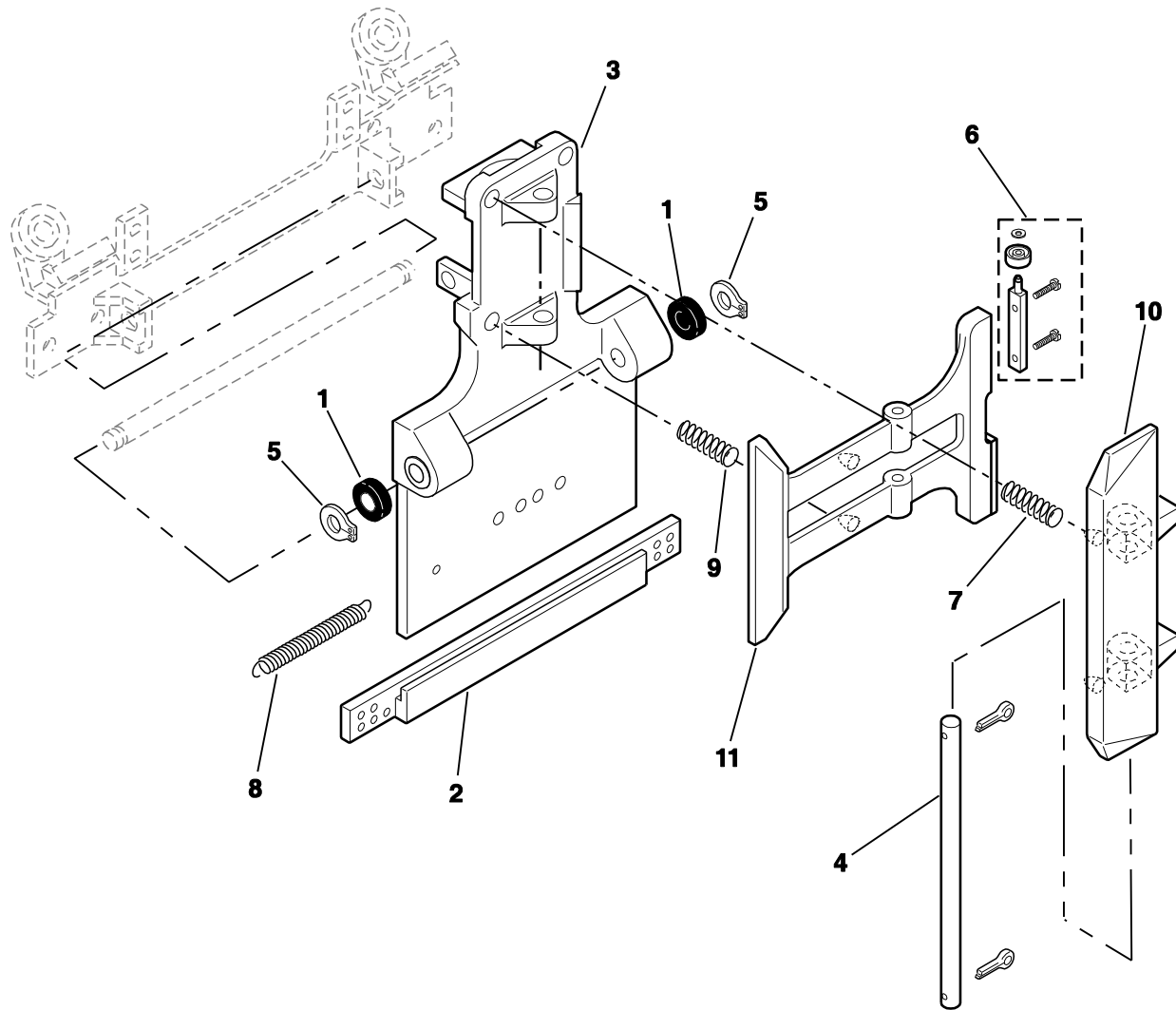
Link Assembly

23-1F-7777A



W/O VINTAGE					
REF. NO.	PART or ML	DESCRIPTION	CAB HEIGHT (IN)	DOOR TYPE	DOOR OPENING (IN)
1	299AKG2	Assembly, Bar	---		
2	1C-7770AF6	Assembly, Link 8.18 in. L	115	Center-Opening	42
	1C-7770AF4	Assembly, Link, 12.0 in. L	96, 115	Single-Slide	36, 42
	1C-7770AF3	Assembly, Link, 8.0 in. L	96	Center-Opening	42
	1C-7770AF5	Assembly, Link, 8.5 in. L	115		
3	209AN3	Bearing, 0.875 in. \varnothing	---		
4	1F-65EA1	Bolt, Special, 3/8 x 1 in. L, 3/8-24 UNF			
5	58AP1	Bolt, Shoulder, 3/8 x 1.25 in. L, 3/8-16 UNC			
6	127VB52	Washer, Special, 1.25 in. \varnothing			

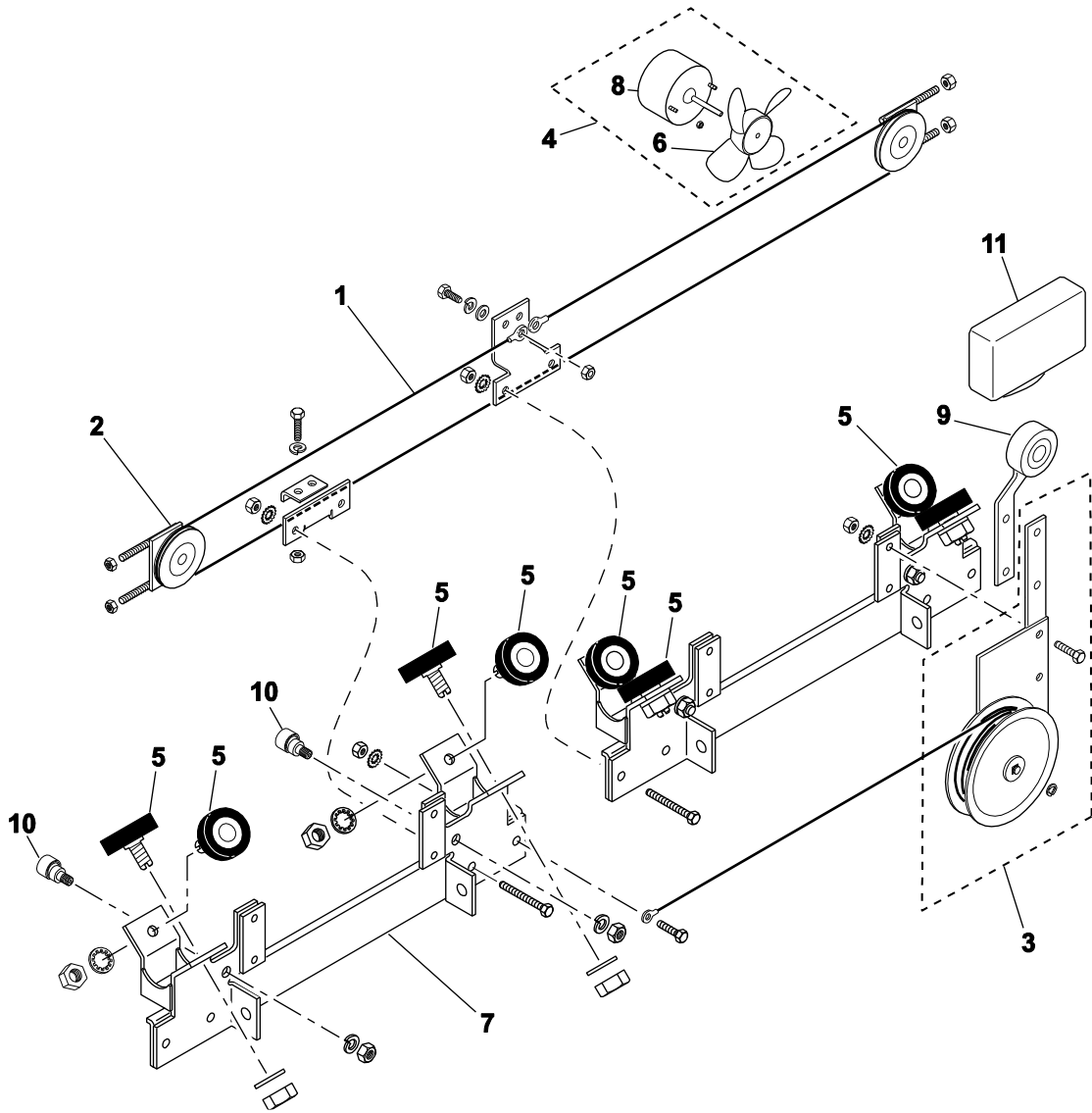
Vane Clutch Assembly



REF. NO.	W/O VINTAGE PART or ML	DESCRIPTION
1	BUSH-B-81420	Bushing, Ball
2	2F-385NN1	Guide
3	2F-A396JR1	Housing, Vane
4	82A82	Pin
5	RING-PR-500	Ring, Retaining
6	456FD1	Shaft/Roller Assembly
7	SPG-LC-051G-10	Spring, Compression
8	CAA91A1	Spring, Extension, 3 in. L, Free Length
9	CAA90A1	Spring, Compression, 2 in. L, Free Length
10	A327KV1	Vane
11	A327KW1	Vane

Hanger and Air Cord Assemblies

23-1F-7777A



W/O VINTAGE		
REF. NO.	PART or ML	DESCRIPTION
1	174AS10	Aircord, 1/8 in. W
2	316DND1	Assembly, Aircord Sheave Bracket, W/O Aircord
3	6940BC1	Assembly, Closer W/Bracket
4	6091AB1	Assembly, Fan
5	A456FC1	Assembly, Roller, 2 in. \varnothing
6	301G1	Blade, Fan
7	A316DNS1	Hanger, Door, W/O Rollers
8	6333DE1	Motor, Fan
9	7782J2	Roller
10	456FB1	Roller, Eccentric, 1 in. \varnothing
11	7782J1	Switch, Gate, G.A.L.