

**Operator Assembly  
Mitsui Building**

**Spare Parts Leaflet**

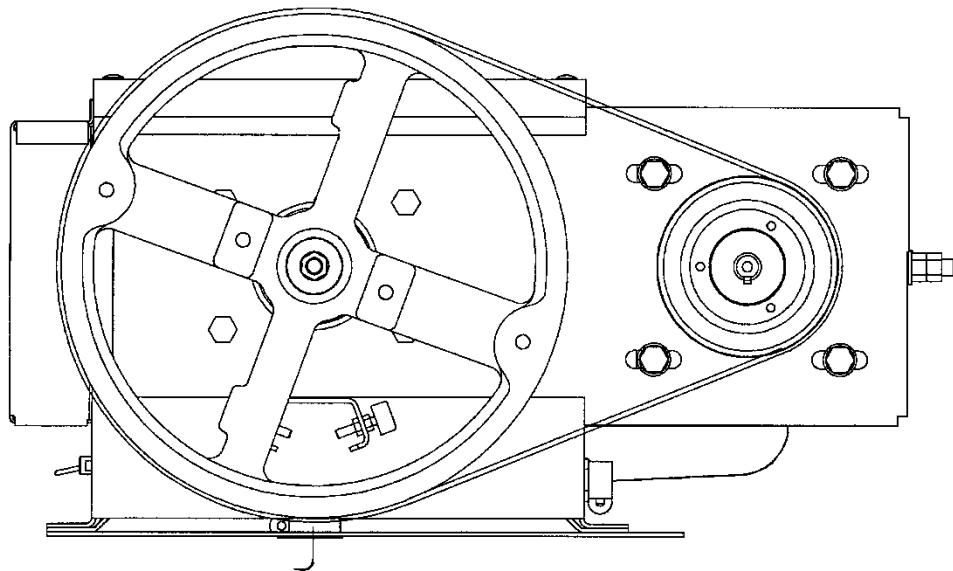
**23-AAA24350W**

**September 7, 2022 / Page 1 of 5**

# OBSOLESCENCE NOTICE

The product covered in this SPL has been designated as obsolete and is no longer supported. See TIP 32.2-1, *Obsolete Components*, for potential upgrade. Replacement lower level parts listed within and unique to this design are not being restocked when depleted. Some of these parts, depending on availability and other factors, may be quoted through Customer Service, but most will have extended lead times and increased cost due to low volume production.

**W/O VINTAGE**



**OTIS**

This document does not contain any technical data subject to EAR or ITAR


**SERVICE ENGINEERING**

**Otis Elevator Company**

**Bloomfield, Connecticut USA**

Unpublished Work—© Otis Elevator Co.; 2022

**Leaflet Description**

The door operator unit depicted in this leaflet is solely used in the Mitsui Building (1251 Avenue of the Americas, New York, NY 10019). There are (35) E411M controlled machines that utilize this closed-loop OVL HP type door operator system (HPDS). The machine numbers are sequential starting with C49436 and ending with C49470.  SPL 23-YX10200A for other related parts.

**Leaflet Revisions**

<b>Date Revised</b>	<b>Subject Matter Expert</b>	<b>Reason for Revision</b>
September 1994	Blair Cohen	New leaflet
January 1, 2001	Jeffrey A. Smith	Updated parts; Added history page
June 7, 2017	Sohaib Shaikh	Updated document template; Added p/n AAA26800AWJ1 on p. 4; Added new p. 5
December 16, 2020	Sohaib Shaikh	Added new p/n ---31669--- and updated note on p. 5
September 7, 2022	Juan Murillo	Added OBSOLESCENCE notice.

**Related Drawings**

<b>Drawing No.</b>	<b>Title</b>	<b>Drawing No.</b>	<b>Title</b>
AAA24350W		AAA633EV	
AAA195HN			

**Related Documents**

<b>Document ID</b>	<b>Title</b>
SPL 23-YX10200A	OVL Door Operator
TIP 22.11-15	ADA26800QJ CLDO E-Stop Board
PCAS 2560	Mitsui Building Door Operator Gear Motors

**Subject Matter Expert**

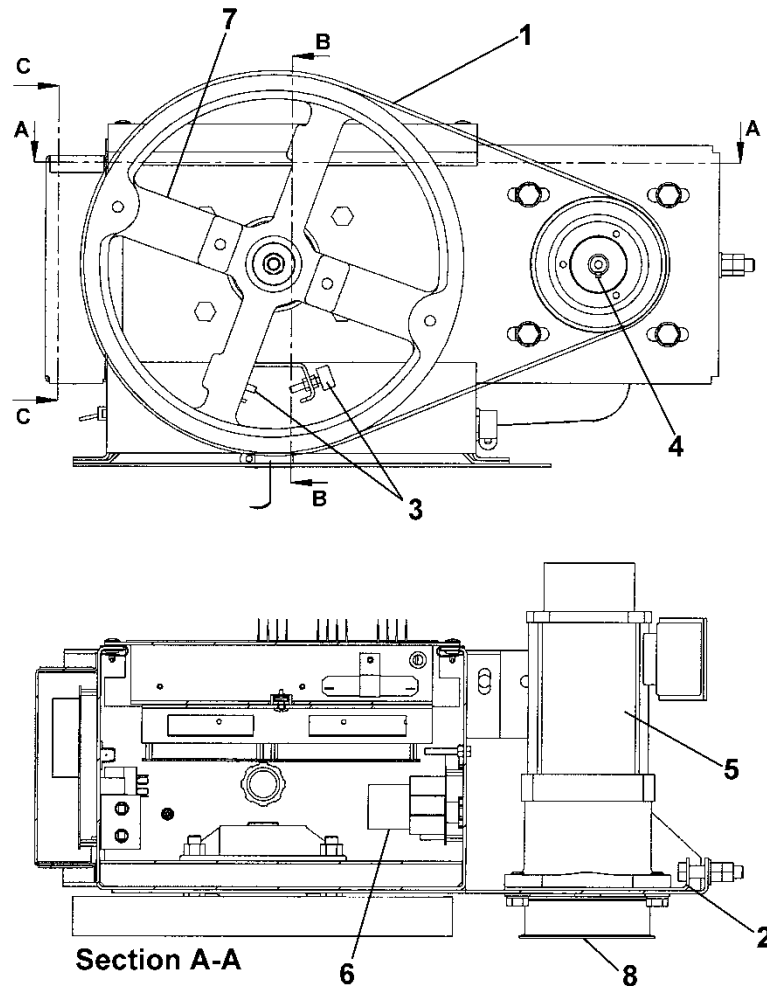
<b>Name</b>	<b>Department</b>
Sohaib Shaikh	OSC Service Engineering

**About Spare Parts Leaflets...**

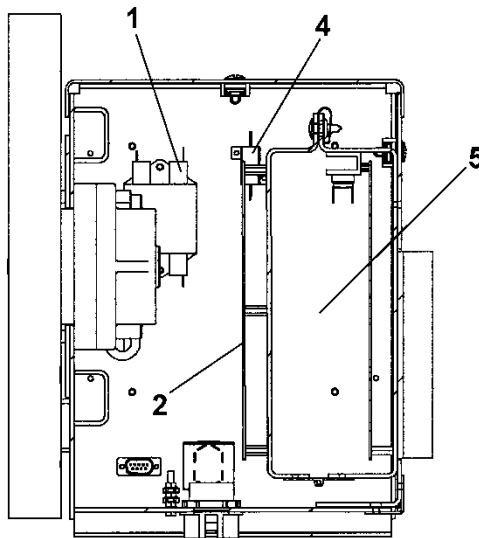
This document lists the lowest replaceable units (LRUs) for the standard version of the product. The LRUs are chosen by a team of Otis associates representing engineering and manufacturing.

While goal of this document is to make parts identification as easy as possible, the document cannot be all-inclusive. Elevator and escalator contracts classified as "special" or "custom" are not addressed here. For such contracts, please refer to specified information, the contract folder, TIPs, Field Education Articles, Construction Letters, etc. for further information.

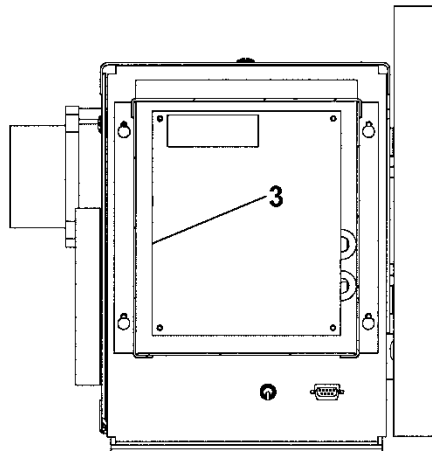
If you have any suggestions about this document, please contact the subject matter expert listed on this page.




W/O VINTAGE		
REF. No.	PART No.	DESCRIPTION
1	AAA717E1	Belt
2	AAA316FTC1	Bracket
3	AAA320EG2	Bumper
4	DIN6885A-5×5×32	Key, <b>W</b> → AAA6333EV1
	- - -	Key, <b>W</b> → AAA6333EV3, Width = 7 mm, Contact OSC
5	AAA6333EV1	Motor
	AAA6333EV3	Motor, Service Replacement Arrangement
6	ABA26800QJ1 ADA26800QJ1	PC Board, E-Stop
7	AAA198AP1	Pulley
8	AAA195HN1	Sprocket, <b>W</b> → AAA6333EV1
	AAA195HN4	Sprocket, <b>W</b> → AAA6333EV3

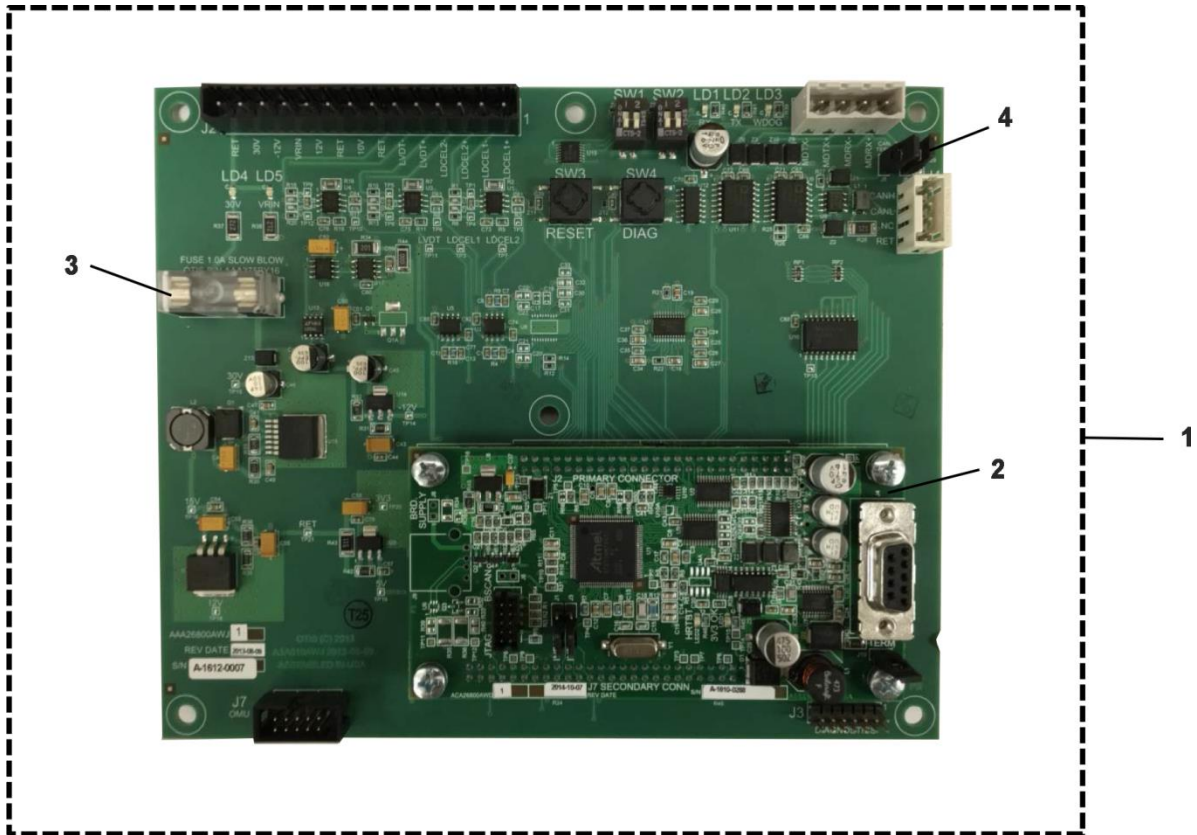


**Section B-B**



**Section C-C**

<b>W/O VINTAGE</b>		
<b>REF. No.</b>	<b>PART No.</b>	<b>DESCRIPTION</b>
1	AAA657A5	Filter, Electro-Magnetic Interference (Corcom)
2	AEA26800KE1	PC Board, Control
3	AAA26800LB1 AAA26800AWJ1	PC Board, LWSS  p. 5
4	AAA232FE2	Resistor, 50Ω, 25 W
5	AAA24350V1	Subassembly, Drive



REF. No.	W/O VINTAGE PART No.	DESCRIPTION
1	AAA26800AWJ1	Board, LWSS Processor and I/O
2	ACA26800AWD1-LWSS	Board, LWSS Processor, w/ LWSS Software ---31652---
3	AAA375BY16	Fuse, 1 A
4	AAA646D2	Jumper, Shunt, w/ Handle
*	---31652--- ---31669---	Software, Application & Boot Code, for p/n AAA26800AWJ1 on OMU (Otis Memory Unit) <b>NOTE</b>

\* Part not shown.

**NOTE:** Please contact OSC Customer Service for the latest version of software. Application software ---31652--- has been replaced by ---31669---. The part number ---31669--- will provide the latest revision of application software part number ---31652--- and boot code software part number ---31557--- in a single OMU. For more information, see latest software revision TIPS in OtisWave.