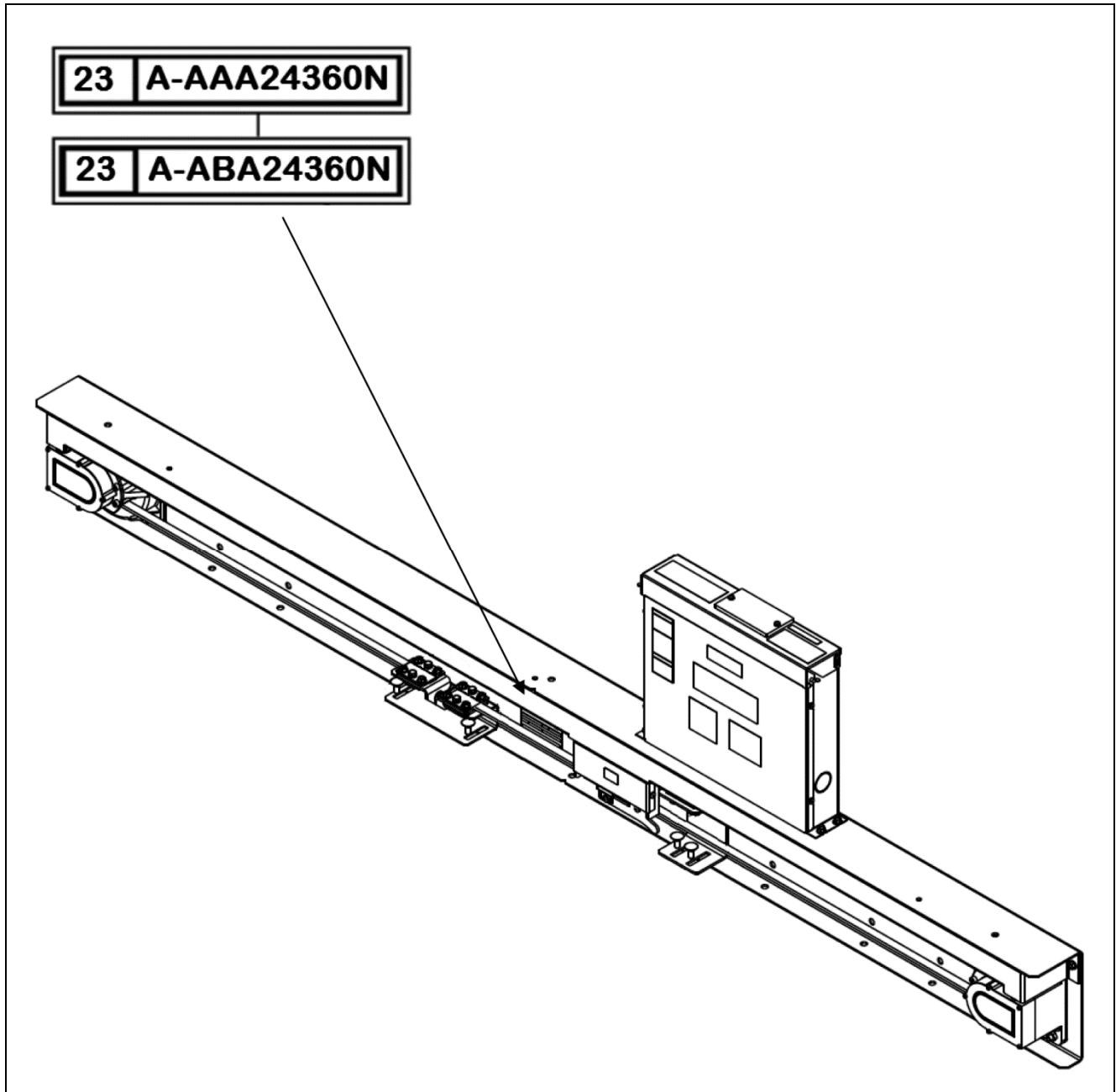


Door Operator, OTIS
GLIDE® P for Mod and
Open Order

Spare Parts Leaflet

23-AAA24360N

November 20, 2019 / Page 1 of 7



OTIS

This document does not contain any
technical data subject to EAR or ITAR

SERVICE ENGINEERING
Otis Elevator Company
Bloomfield, Connecticut USA

Unpublished Work—© Otis Elevator Co.; 2019

Leaflet Description

This leaflet provides spare parts information for the OTIS GLIDE® P (for Mod and Open Order) door operator. Only the lowest replaceable units for the engine unit are covered here. Part numbers for linkage apparatus are defined in separate SPLs. The operator referenced within is different from the New Equipment OTIS GLIDE® P, which can be identified by the integrated header, track, hanger, and coupler equipment within the operator.

Leaflet Revisions

Date Revised	Subject Matter Expert	Reason for Revision
November 6, 2013	Brian Regan	New SPL
November 20, 2019	Peter Kelley	Revised history page

Related Drawings

Drawing No.	Title	Drawing No.	Title
AAA24360N	Door Operator, Engine Unit	AAA24360P	Door Operator Assembly
ABA24360N	Door Operator, Engine Unit	ABA24360P	Door Operator Assembly
KAA24360AAL	Door Controller for NGPOK		

Related Documents

Document ID	Title
SPL 23-AAA24360P	<i>Linkage Assembly, OTIS GLIDE™ P for Mod and Open Order Door Operator, Center-Opening</i>
SPL 10-KAA24360AAL	<i>Door Controller, NGPOK System</i>

Subject Matter Expert

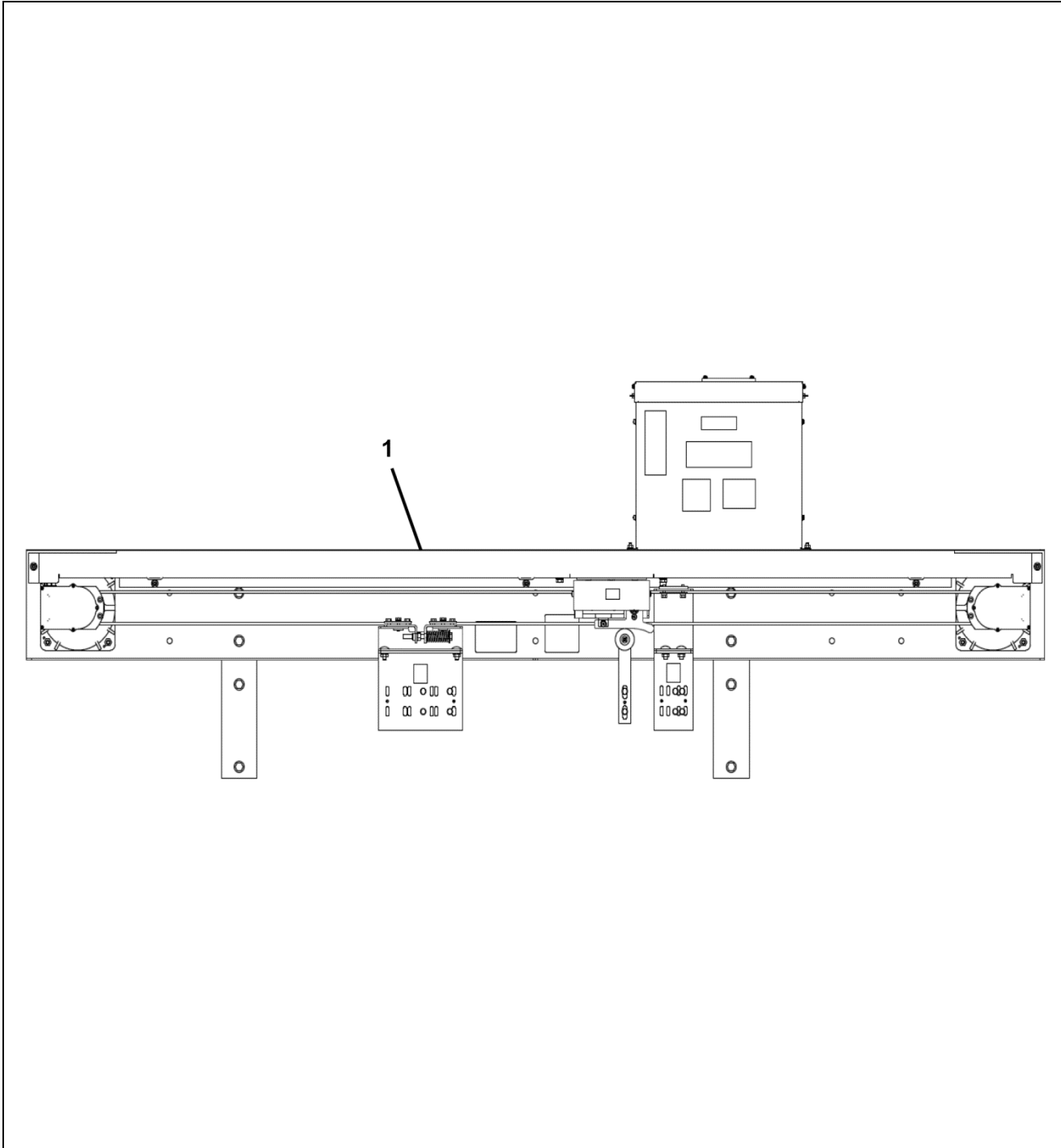
Name	Department
Peter Kelley	OSC Service Engineering


About Spare Parts Leaflets...

This document lists the lowest replaceable units (LRUs) for the standard version of the product. The LRUs are chosen by a team of Otis associates representing engineering and manufacturing.

While goal of this document is to make parts identification as easy as possible, the document cannot be all-inclusive. Elevator and escalator contracts classified as “special” or “custom” are not addressed here. For such contracts, please refer to specified information, the contract folder, TIPs, Field Education Articles, Construction Letters, etc. for further information.

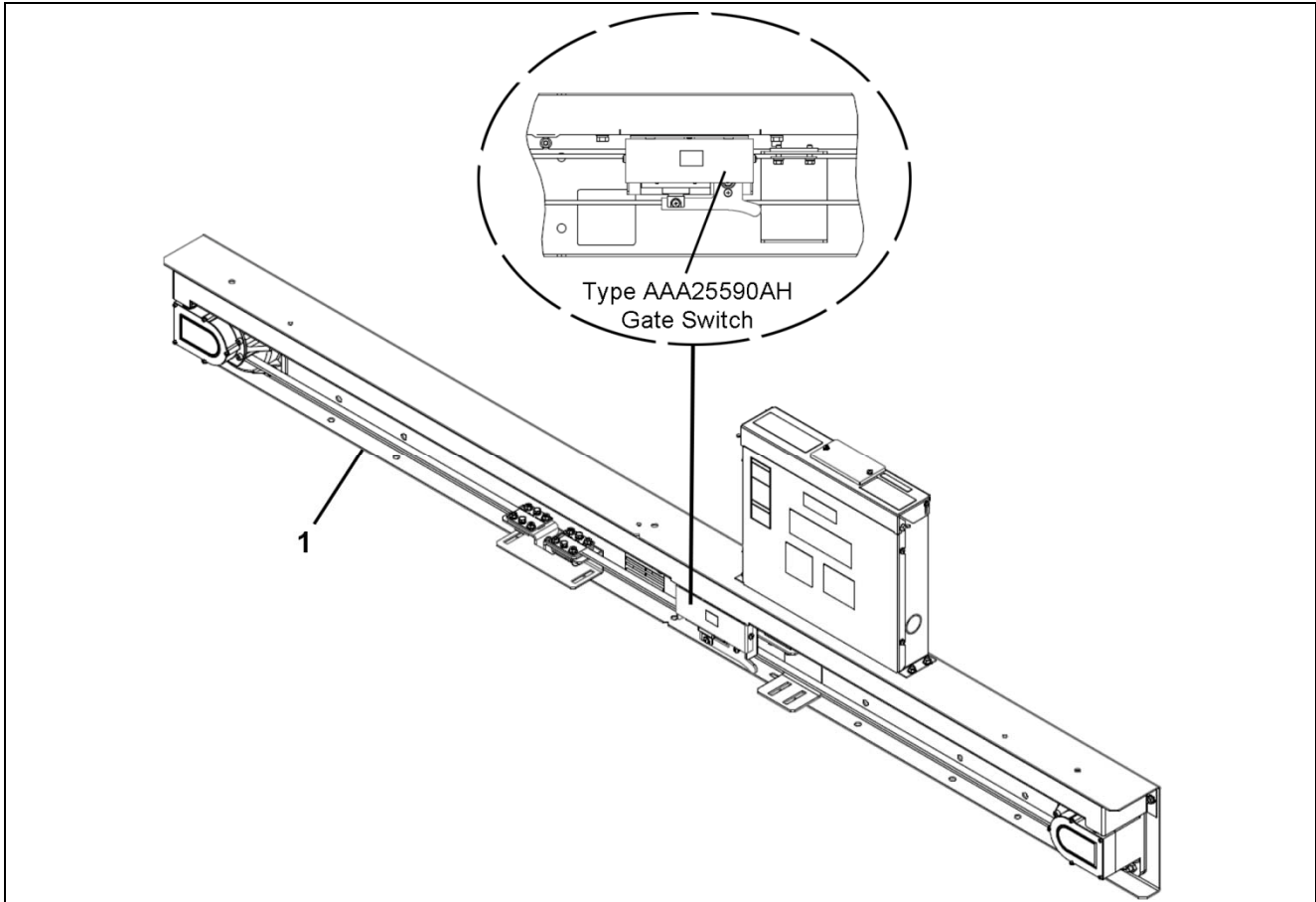
If you have any suggestions about this document, please contact the subject matter expert listed on this page.



	AAA24360N ABA24360N	
REF. No.	PART No.	DESCRIPTION
1	---	Assembly, Linkage, OTIS GLIDE™ P for Mod and Open Order Door Operator Center-Opening,  SPL 23-AAA24360P

23-AAA24360N

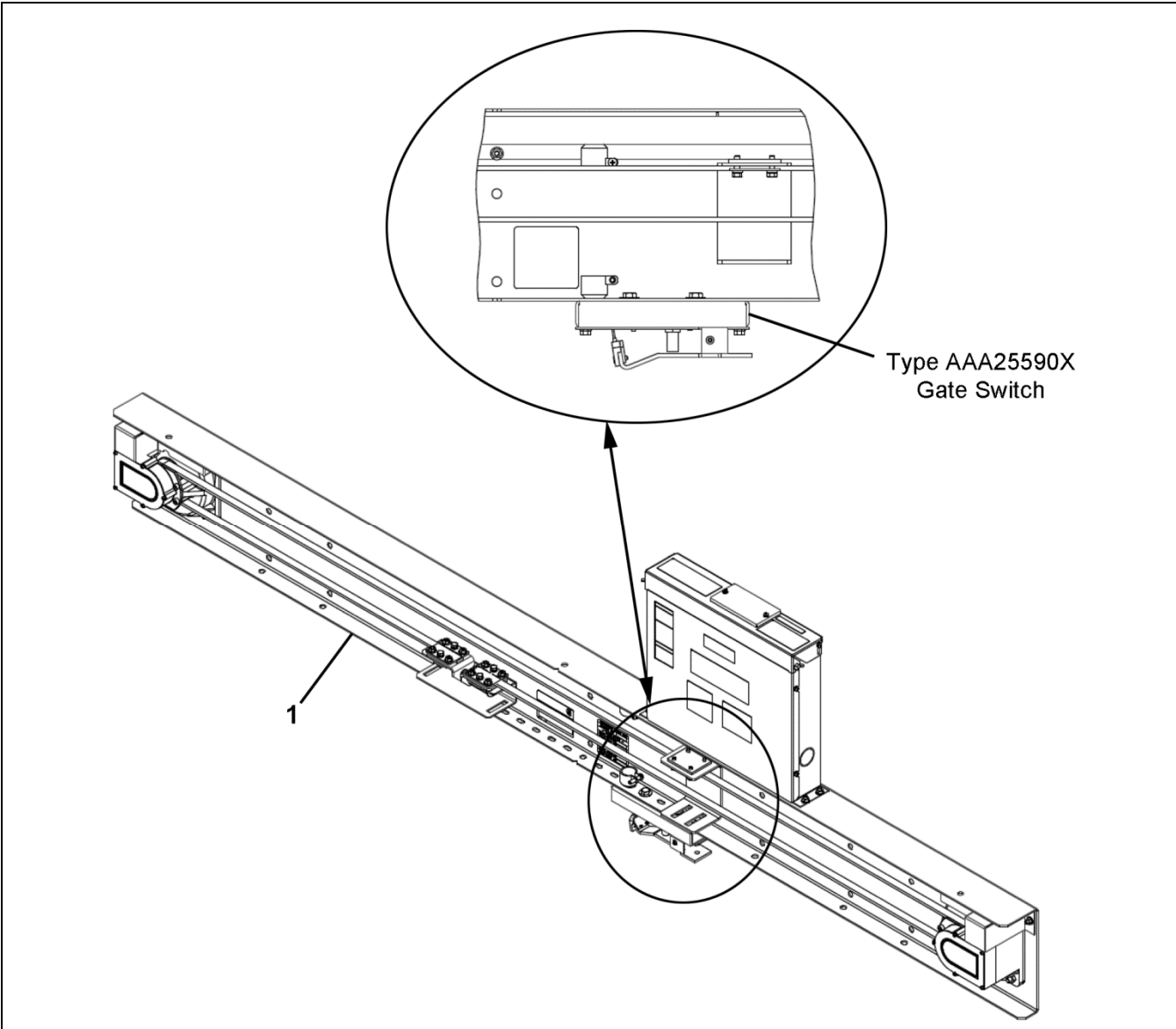
OTIS GLIDE® P for Mod and Open
 Order Door Operator Engine Unit
 w/ Type AAA25590AH Gate Switch



REF. No.	PART No.	DESCRIPTION	CENTER-OPENING WIDTH
1	AAA24360N1 ABA24360N1	Assembly, Door Operator, Engine Unit	36 in.
	AAA24360N2 ABA24360N2		42 in.
	AAA24360N3 ABA24360N3		44 in.
	AAA24360N4 ABA24360N4		48 in.
	AAA24360N5 ABA24360N5		54 in.
	AAA24360N6 ABA24360N6		60 in.

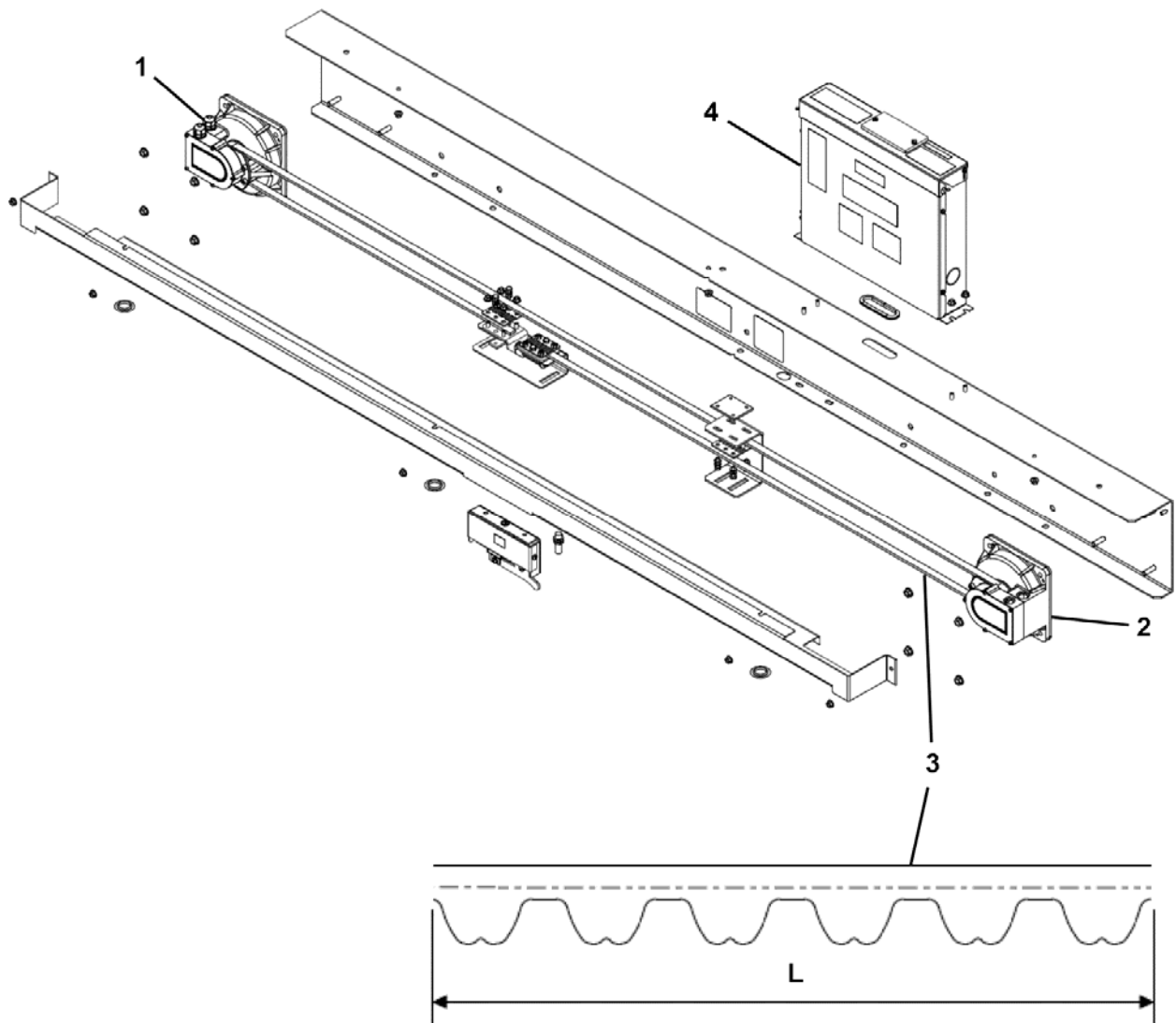
OTIS GLIDE® P for Mod and Open Order
 Door Operator Engine Unit, w/Type
 AAA25590X Gate Switch

23-AAA24360N



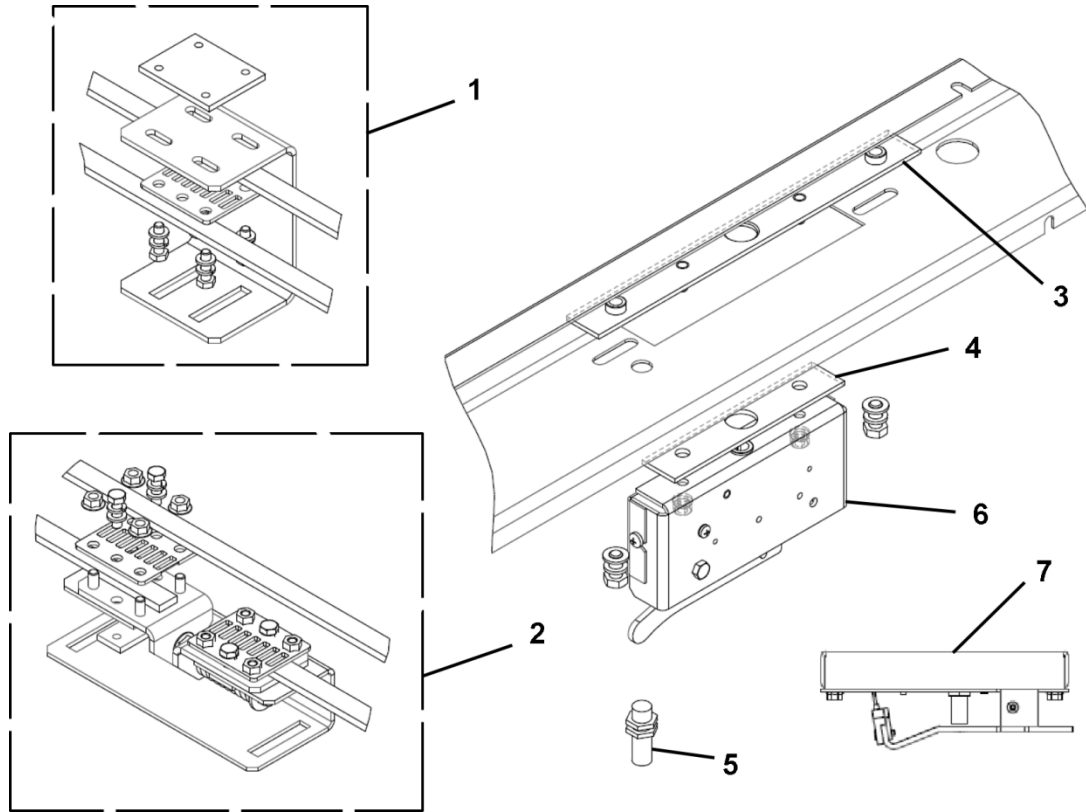
	AAA24360N ABA24360N	
REF. No.	PART No.	DESCRIPTION
1	AAA24360N12 ABA24360P12	Assembly, Door Operator, Engine Unit, 42 in. C/O, NOTE
	AAA24360N13 ABA24360P13	Assembly, Door Operator, Engine Unit, 48 in. C/O, NOTE

NOTE: OTIS GLIDE™ P operators with AAA25590X style gate switch are no longer available, see TIP 22.17-5, OTIS GLIDE™ P for Mod and Open Order Engine Unit Replacement.




AAA24360N
ABA24360N

REF. No.	PART No.	DESCRIPTION	L	CENTER-OPENING WIDTH
1	KAA24354AAG35	Assembly, Motor, Right Hand	---	---
2	KAA24354AAG15	Assembly, Motor, Left Hand	---	---
3	KAA717AAM11	Belt, Door Operator	136.4 in.	36 in.
	KAA717AAM12		160.6 in.	42 in.
	KAA717AAM13		184.6 in.	44 in. and 48 in.
	KAA717AAM14		208.5 in.	54 in.
	KAA717AAM15		232.4 in.	60 in.
4	KAA24360AAL1	Controller	---	---



AAA24360N
ABA24360N

REF. No.	PART No.	DESCRIPTION
1	AAA336RB2	Assembly, Belt Clamp, Upper
2	AAA336RD2	Assembly, Belt Clamp, Lower
*	AAA174AKT1	Cable, Electrical, Gate Switch
3	AAA386MWV1	Plate, Gate Switch
4	AAA386MWZ1	Plate, Spacer
5	AAA608D28	Sensor, Proximity
6	AAA25590AH2	Switch, Gate
7	AAA25590X2	Switch, Gate, with Proximity Sensor Installed,  NOTE

NOTE: Type AAA25590X gate switch sold on operators between June 20, 2011 and April 2013.