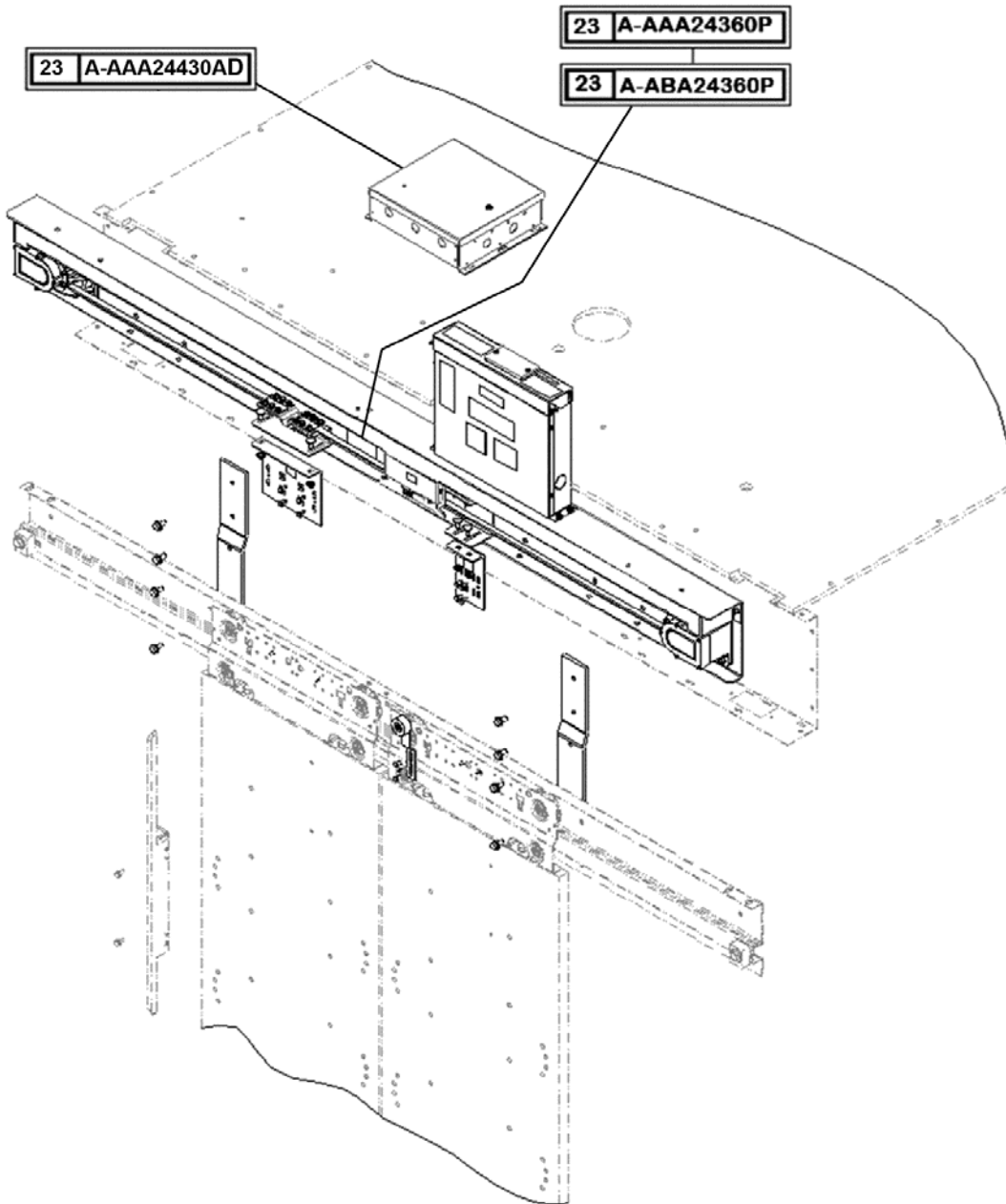


OTIS GLIDE® P Door Operator
for Mod and Open Order
Center-Opening

Spare Parts Leaflet

23-AAA24360P

November 20, 2019 / Page 1 of 5



OTIS

This document does not contain any
technical data subject to EAR or ITAR

SERVICE ENGINEERING
Otis Elevator Company
Bloomfield, Connecticut USA

Unpublished Work—© Otis Elevator Co.; 2019

Leaflet Description

This leaflet lists the lowest replaceable units for the OTIS GLIDE® P door system for Mod and Open Order. The arrangements covered include right hand center-opening doors. The operator referenced within is different from the New Equipment OTIS GLIDE® P, which can be identified by the integrated header, track, hanger, and coupler equipment within the operator.

Leaflet Revisions

Date Revised	Subject Matter Expert	Reason for Revision
November 6, 2013	Brian Regan	New SPL
November 20, 2019	Peter Kelley	Revised history page

Related Drawings

Drawing No.	Title	Drawing No.	Title
AAA24360P	Door Operator Assembly	AAA24360N	Door Operator, Engine Unit
ABA24360P	Door Operator Assembly	ABA24360N	Door Operator, Engine Unit

Related Documents

Document ID	Title
SPL 10-KAA24360AAL	Door Controller, NGPOK System
SPL 23-AAA24360N	Door Operator, OTIS GLIDE® P for Mod and Open Order Engine Unit

Subject Matter Expert

Name	Department
Peter Kelley	OSC Service Engineering

About Spare Parts Leaflets...

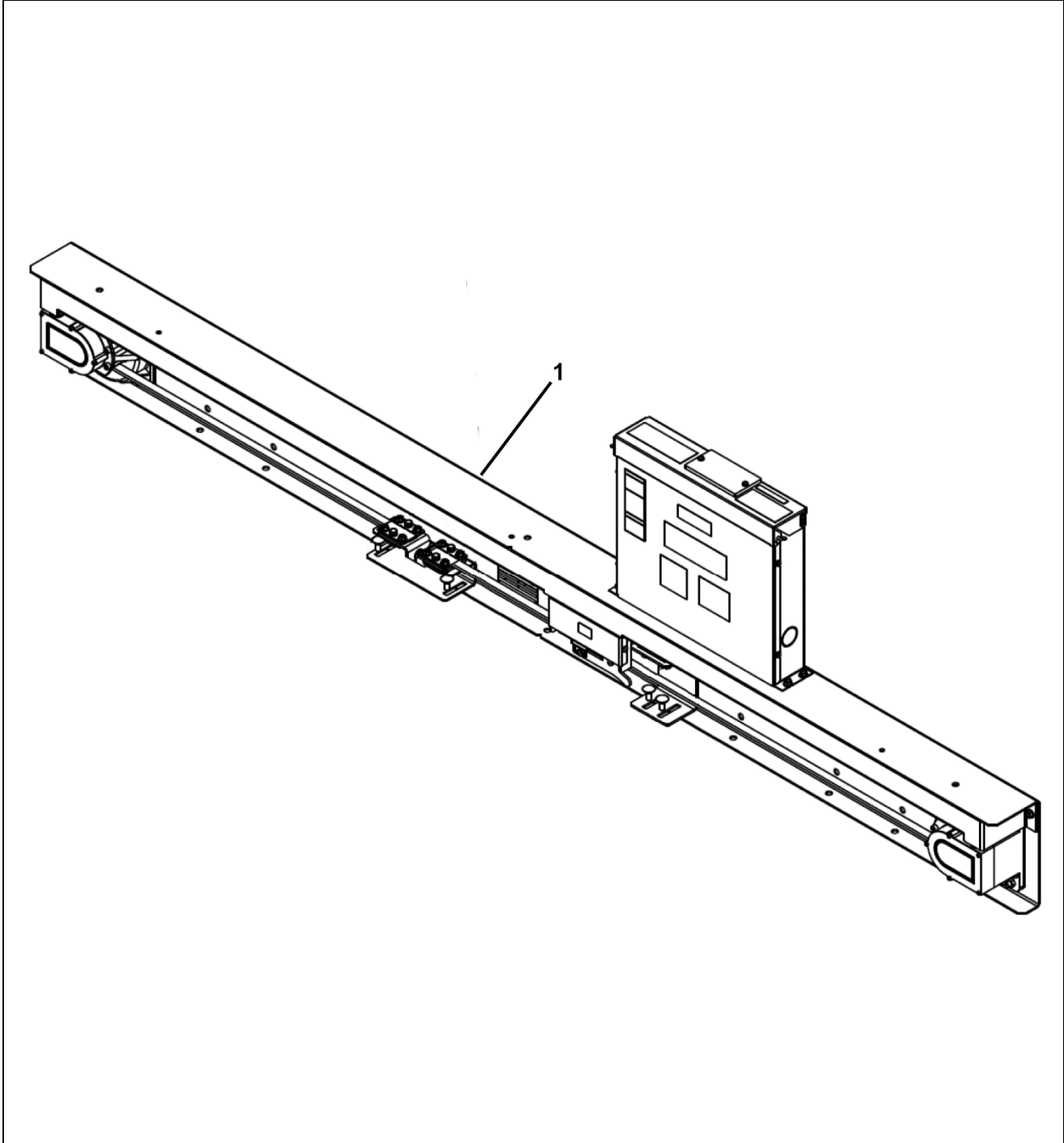
This document lists the lowest replaceable units (LRUs) for the standard version of the product. The LRUs are chosen by a team of Otis associates representing engineering and manufacturing.


While goal of this document is to make parts identification as easy as possible, the document cannot be all-inclusive. Elevator and escalator contracts classified as “special” or “custom” are not addressed here. For such contracts, please refer to specified information, the contract folder, TIPS, Field Education Articles, Construction Letters, etc. for further information.

If you have any suggestions about this document, please contact the subject matter expert listed on this page.

OTIS GLIDE® P for Mod and Open
Order Operator Engine Unit

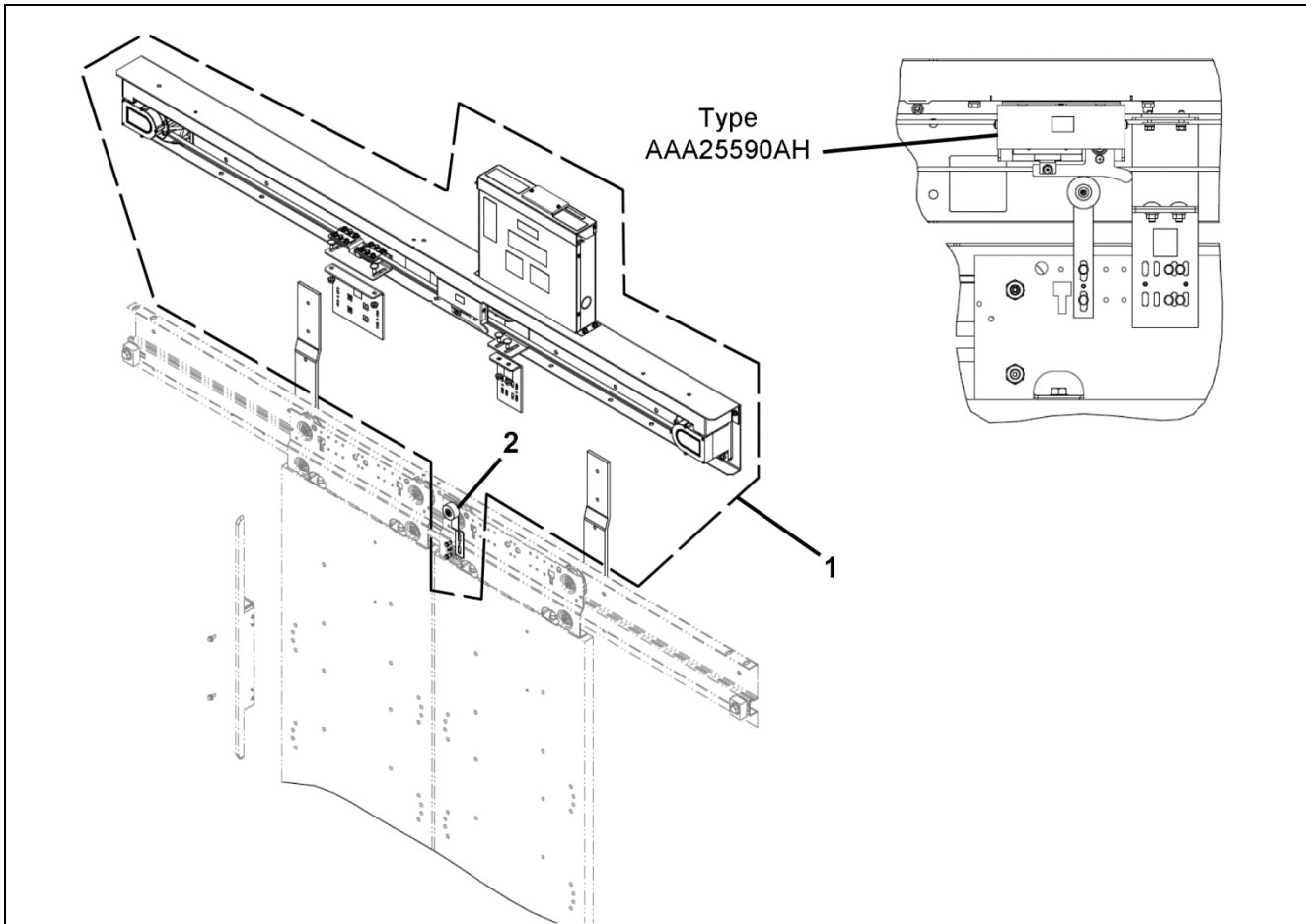
23-AAA24360P



	AAA24360P ABA24360P	
REF. No.	PART No.	DESCRIPTION
1	---	OTIS GLIDE® P for Mod and Open Order Door Operator Engine Unit,  SPL 23-AAA24360N

23-AAA24360P

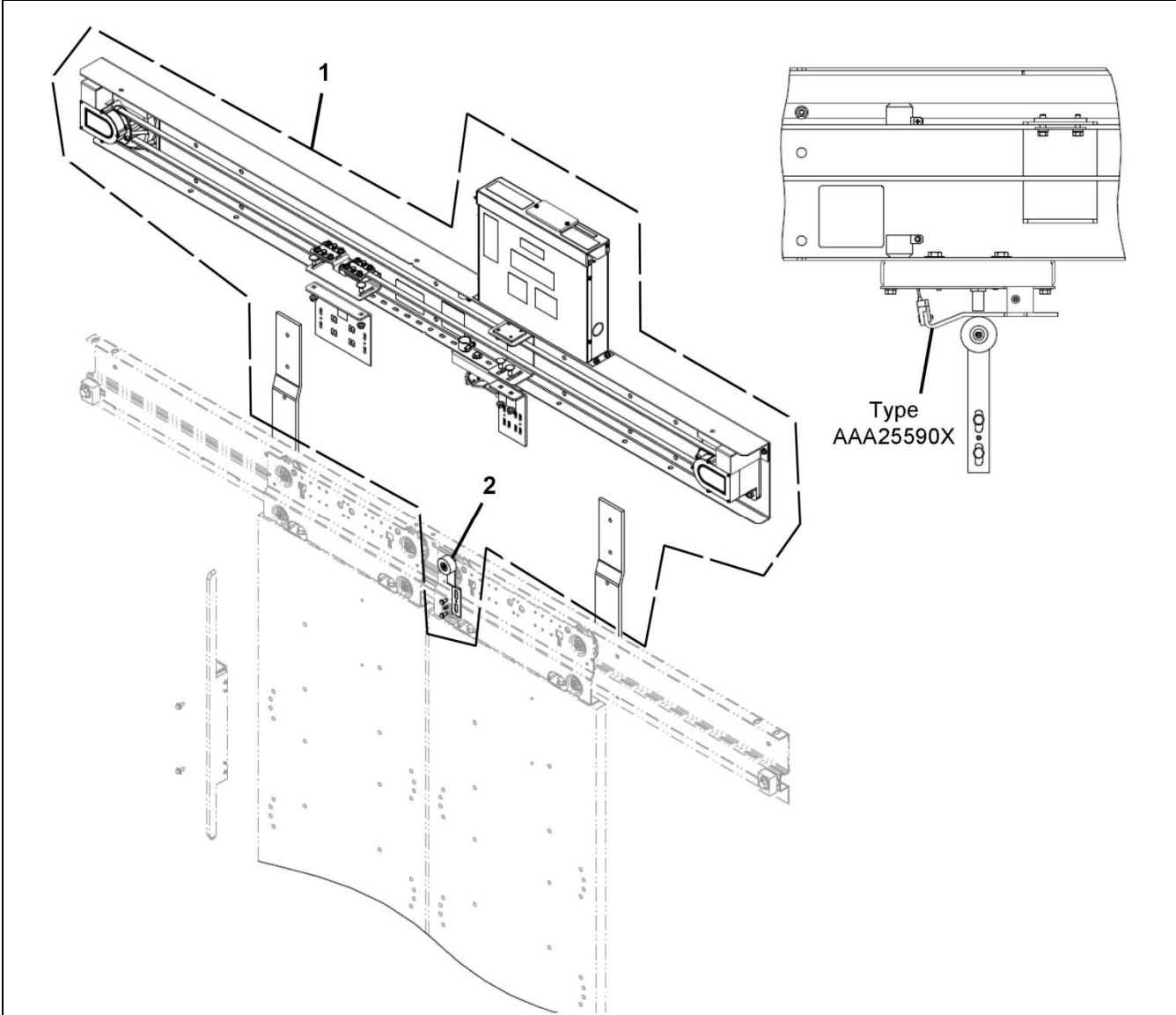
Gate Switch Roller, Type AAA25590AH Gate Switch



REF. No.	PART No.	DESCRIPTION	CENTER OPENING WIDTH
1	AAA24360P ABA24360P	Assembly, OTIS GLIDE® P for Mod and Open Order Door Operator	
	AAA24360P4 ABA24360P1		36 in.
	AAA24360P2 ABA24360P2		42 in.
	AAA24360P3 ABA24360P3		44 in.
	AAA24360P4 ABA24360P4		48 in.
	AAA24360P5 ABA24360P5		54 in.
2	AAA24360P6 ABA24360P6	60 in.	
	288RH24	Lever, Gate Switch Roller without Offset Bracket	
	288RH42	Lever, Gate Switch Roller with Offset Bracket	

Gate Switch Roller, Type AAA25590X Gate Switch

23-AAA24360P



	AAA24360P ABA24360P	
REF. No.	PART No.	DESCRIPTION
1	AAA24360P12 ABA24360P12	Assembly, OTIS GLIDE® P for Mod Door Operator, 42 in. C/O, See NOTE
	AAA24360P13 ABA24360P13	Assembly, OTIS GLIDE® P for Mod Door Operator, 48 in. C/O, See NOTE
2	288RH34	Lever, Gate Switch Roller with Offset Bracket

NOTE: OTIS GLIDE® P operators with AAA25590X style gate switch are no longer available, see TIP 22.17-5, *OTIS GLIDE® P for Mod and Open Order Engine Unit Replacement*.