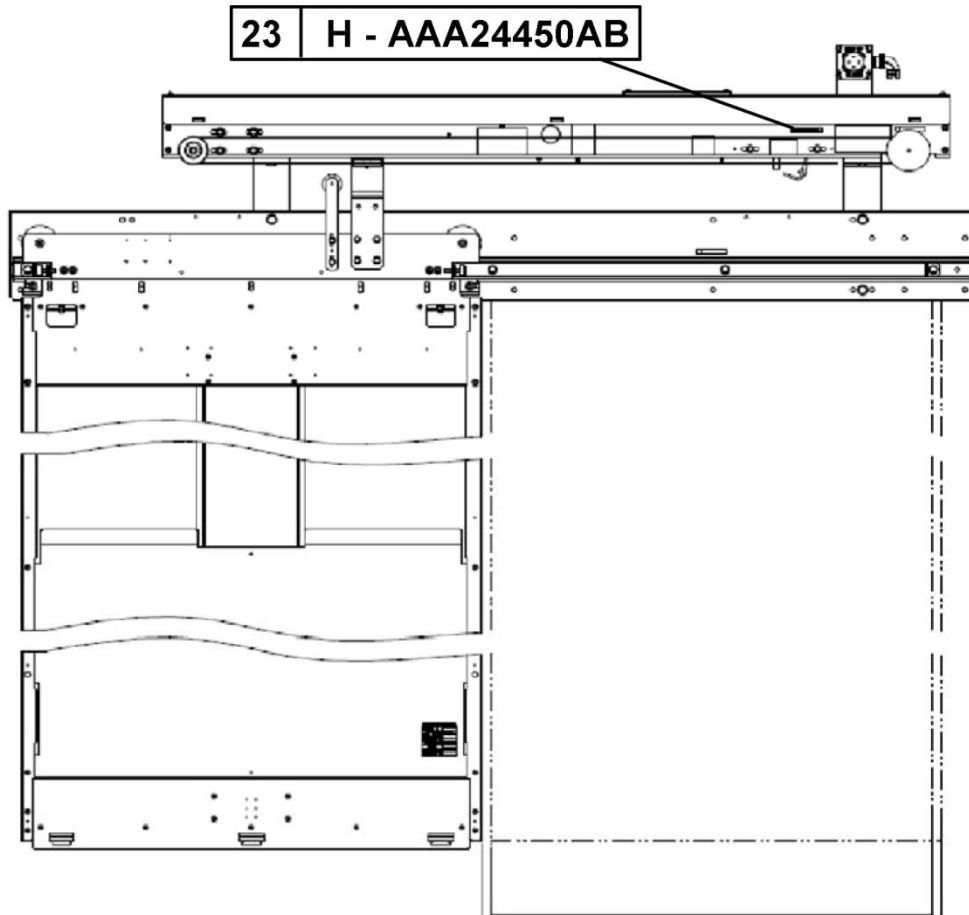


AT400 Door Operator
Single-Slide, Two-Speed,
and Center-Opening

Spare Parts Leaflet
23-AAA24450AB

November 20, 2019 / Page 1 of 4



OTIS

This document does not contain any
technical data subject to EAR or ITAR

SERVICE ENGINEERING
Otis Elevator Company
Bloomfield, Connecticut USA

Unpublished Work—© Otis Elevator Co.; 2019

Leaflet Description

This leaflet provides the lowest replaceable units (LRUs) for the AT400 door operator used in the hydro and traction door systems. The door arrangements supported include single-slide, two-speed, and center-opening doors.

Leaflet Revisions

Date Revised	Subject Matter Expert	Reason for Revision
January 8, 2014	Brian Regan	New SPL
November 20, 2019	Peter Kelley	Revised history page

Related Drawings

Drawing No.	Title	Drawing No.	Title
AAA24450AB	AT400 Door Operator	ACA24350BW	AT400 Door Operator Assembly

Related Documents

Document ID	Title
SPL 23-AAA24450AB	AT400 Door Operator: Center-Opening, Two-Speed, and Single-Slide

Subject Matter Expert

Name	Department
Peter Kelley	OSC Service Engineering

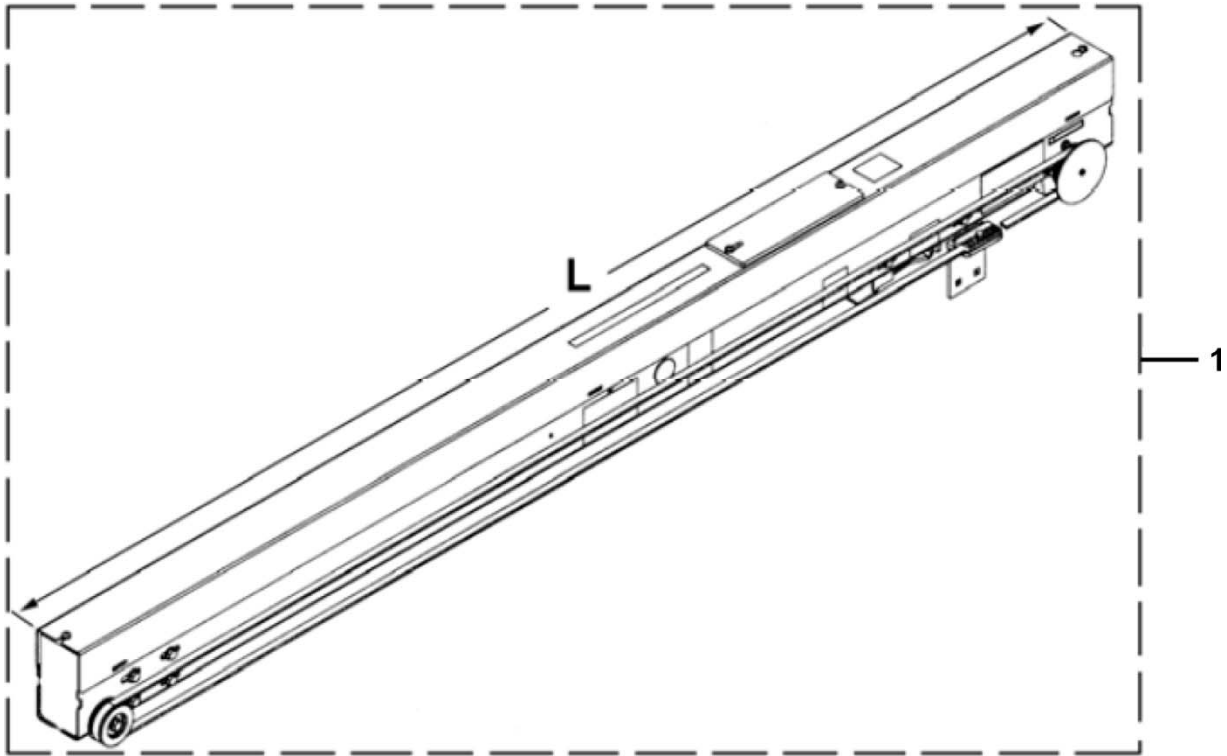
About Spare Parts Leaflets...


This document lists the lowest replaceable units (LRUs) for the standard version of the product. The LRUs are chosen by a team of Otis associates representing engineering and manufacturing.

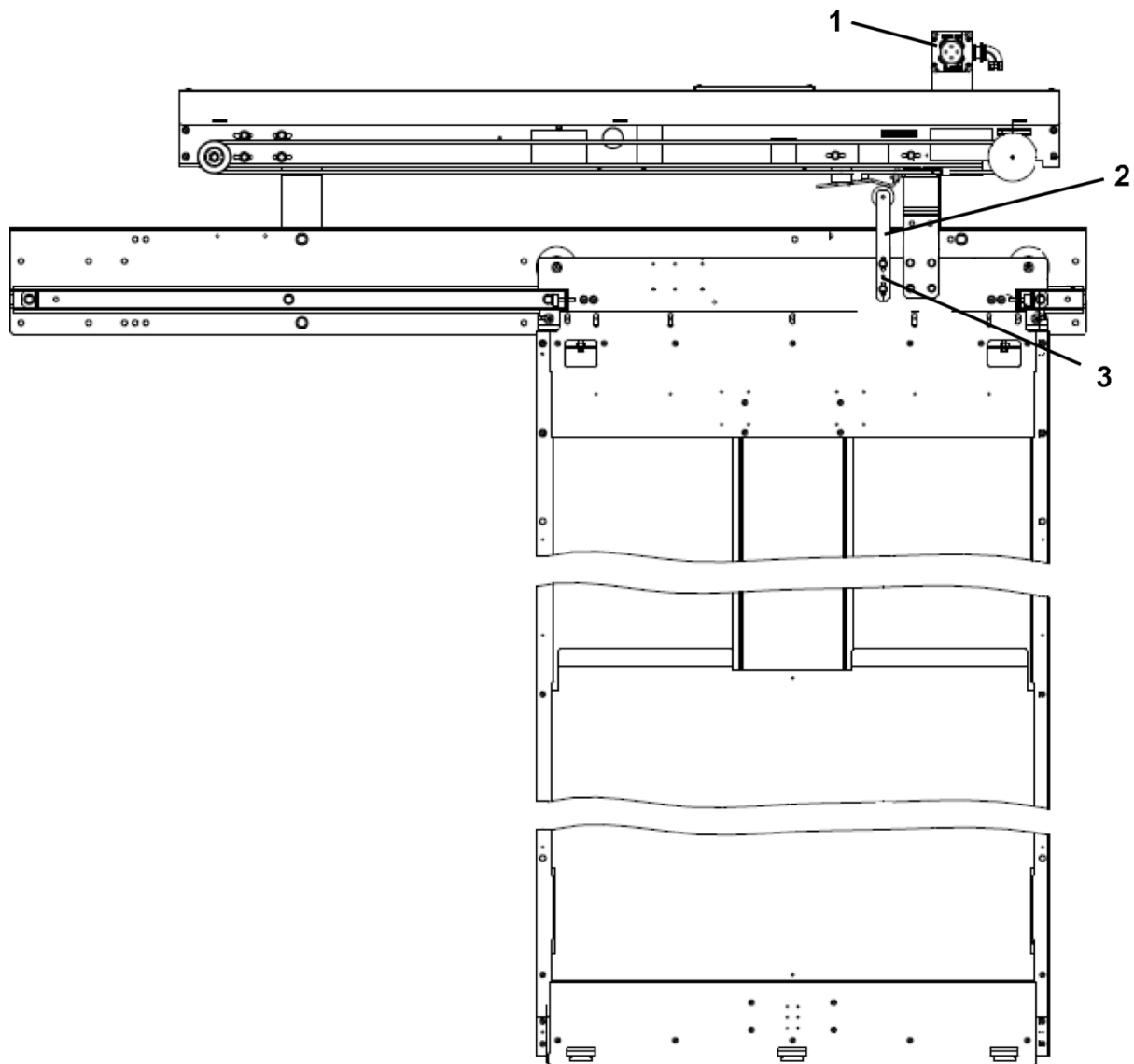
While goal of this document is to make parts identification as easy as possible, the document cannot be all-inclusive. Elevator and escalator contracts classified as “special” or “custom” are not addressed here. For such contracts, please refer to specified information, the contract folder, TIPS, Field Education Articles, Construction Letters, etc. for further information.

If you have any suggestions about this document, please contact the subject matter expert listed on this page.

(Type AAA24350BW) Engine Unit



	AAA24450AB	
REF. No.	PART No.	DESCRIPTION
1	---	Engine Unit, AT400 Operator, Type ACA24350BW  SPL 23-AAA24350BK



REF. No.	PART No.	DESCRIPTION
	AAA24450AB	
1	AAA25580BH1	Assembly, Stop Switch
2	AAA288ADZ2	Lever, Roller Arm
3	1508752-SX108	Pin, Spring