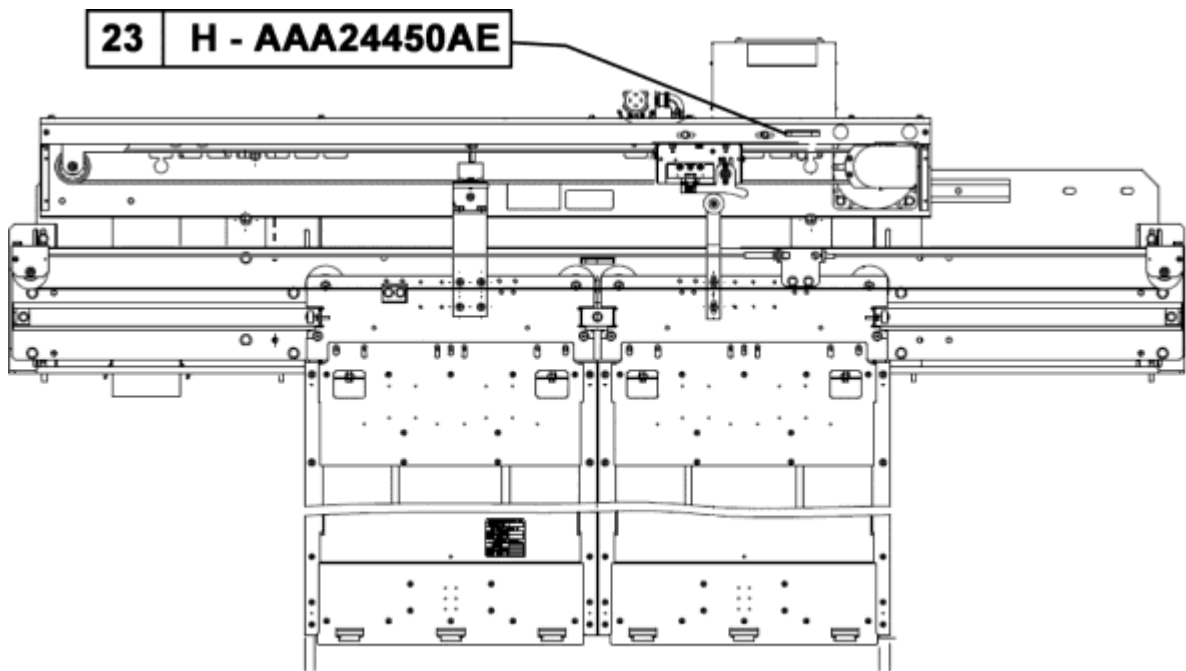


**Otis Glide® A and S
Door Operator
C/O, S/S, and 2/S**

Spare Parts Leaflet

23-AAA24450AE

January 26, 2022 / Page 1 of 7



Center-Opening shown

OTIS

This document does not contain any technical data subject to EAR or ITAR

**SERVICE ENGINEERING
Otis Elevator Company
Bloomfield, Connecticut USA**

Unpublished Work—©Otis Elevator Co.; 2022

Leaflet Description

This leaflet reflects the lowest replaceable units (LRUs) for the Otis Glide® A and S door operator arrangements.

Leaflet Revisions

Date Revised	Subject Matter Expert	Reason for Revision
February 5, 2014	Brian Regan	New SPL
October 30, 2019	Brian Regan	Updated for Mod and Open Order Spare Parts
November 20, 2019	Peter Kelley	Updated history page
July 8, 2020	Peter Kelley	Updated EW Column on p. 6
January 26, 2022	Peter Kelley	Added new p. 7

Related Drawings

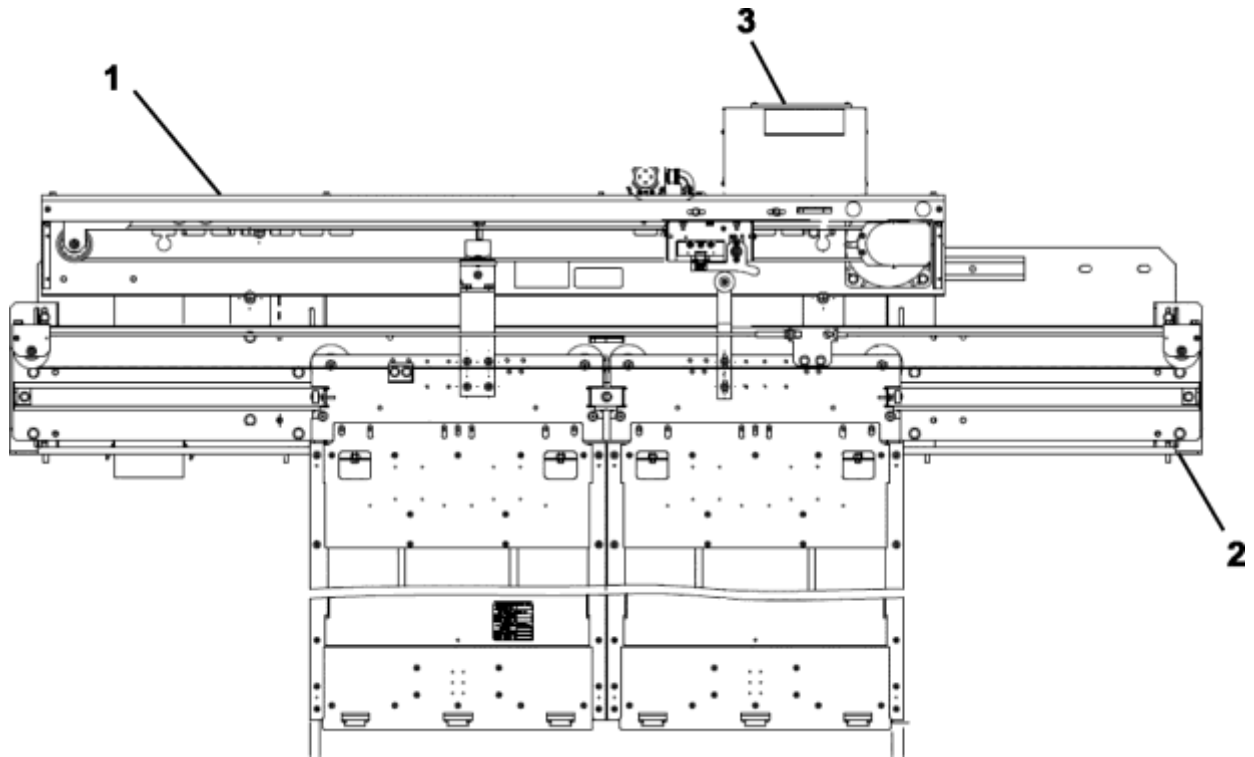
Drawing No.	Title	Drawing No.	Title
AAA24450AE	Glide Door Operator System	AAA24600J	Header Assembly, SS
AAA24350CE	Glide A / Glide S Door Operator	AAA24600K	Header Assembly, 2S
AAA24600H	Header Assembly, CO		




Related Documents

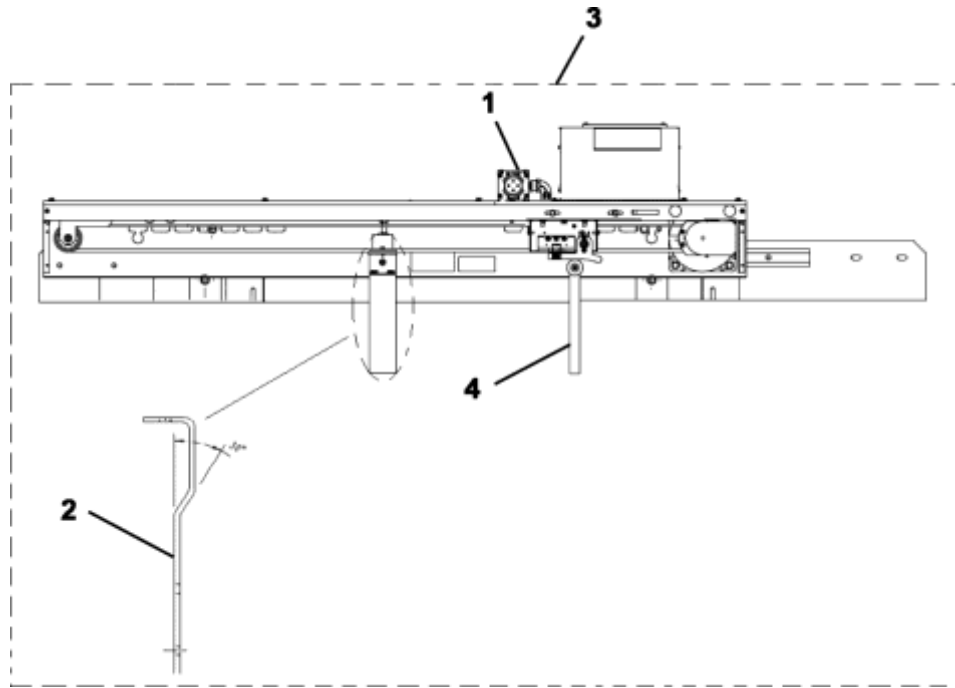
Document ID	Title
SPL 23-AAA24350CE	Glide Door Operator System
SPL 19-AAA24600H	Glide Car Door Hanger / Track System
SPL 24-AAA24390N	Door Coupler, NG Car Door System
SPL 10-KAA24360ABG	Otis Glide® A Controller Box Assembly
SPL 10-KAA24360ABX	Otis Glide® A Controller Box Assembly, With Load Weighing
TIP 22.17.1-1	Otis Glide® A for Mod & Open Order—Specification and Ordering Guide
TIP 22.17.1-2	Otis Glide® A for Mod Mechanical Installation Guide
TIP 22.17.1-3	Otis Glide® A for Modernization and Open Order—Setup and Startup Manual
TIP 22.17.1-4	Otis Glide® A for Modernization Open Order—Open Order Upgrade and Retrofit
TIP 22.17.1-5	Otis Glide® A for Mod Service Tool User's Guide
TIP 22.17.1-7	OMU Software Upgrade Failure on Select Otis Glide® A Controllers
TIP 22.17.1-8	Otis Glide® A for Mod Open Order Upgrade—Electrical Installation on LRV/LRS Controllers

Subject Matter Expert

Name	Department
Peter Kelley	OSC Service Engineering



AAA24450AE		
REF. No.	PART No.	DESCRIPTION
1	---	Glide A Door Operator Engine,  SPL 23-AAA24350CE
2	---	Glide Car Door Hanger / Track System,  SPL 19-AAA24600H
3	---	Glide A Controller Box Assembly,  SPLs 10-KAA24360ABG (for New Equipment) and 10-KAA24360ABX (for Mod / Open Order with Load Weighing).

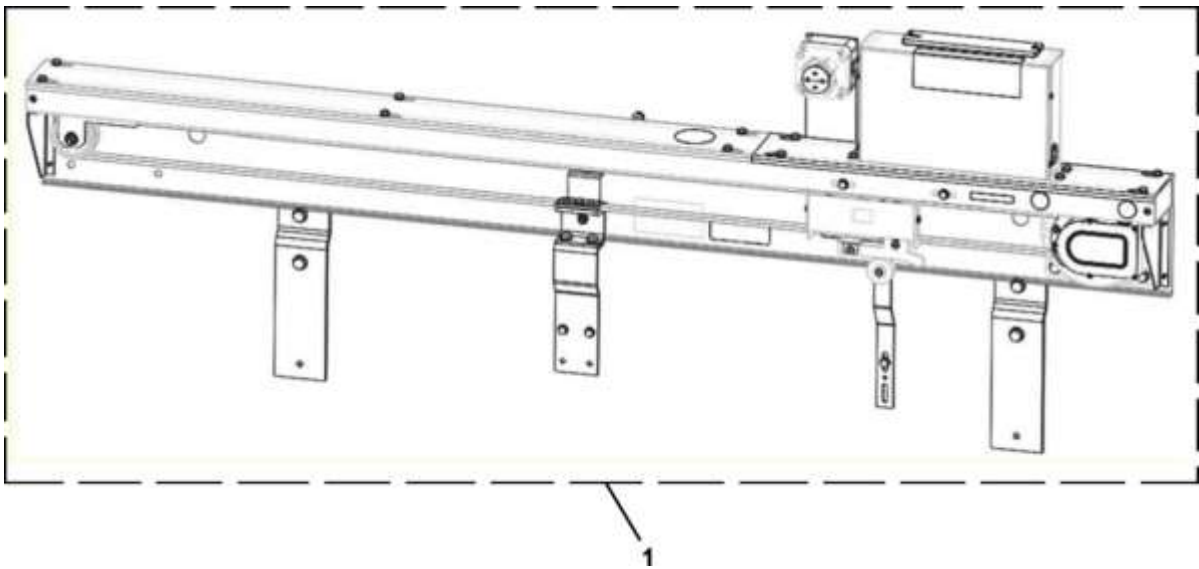


NOTE: See pages 5–6 for replacement spare parts.

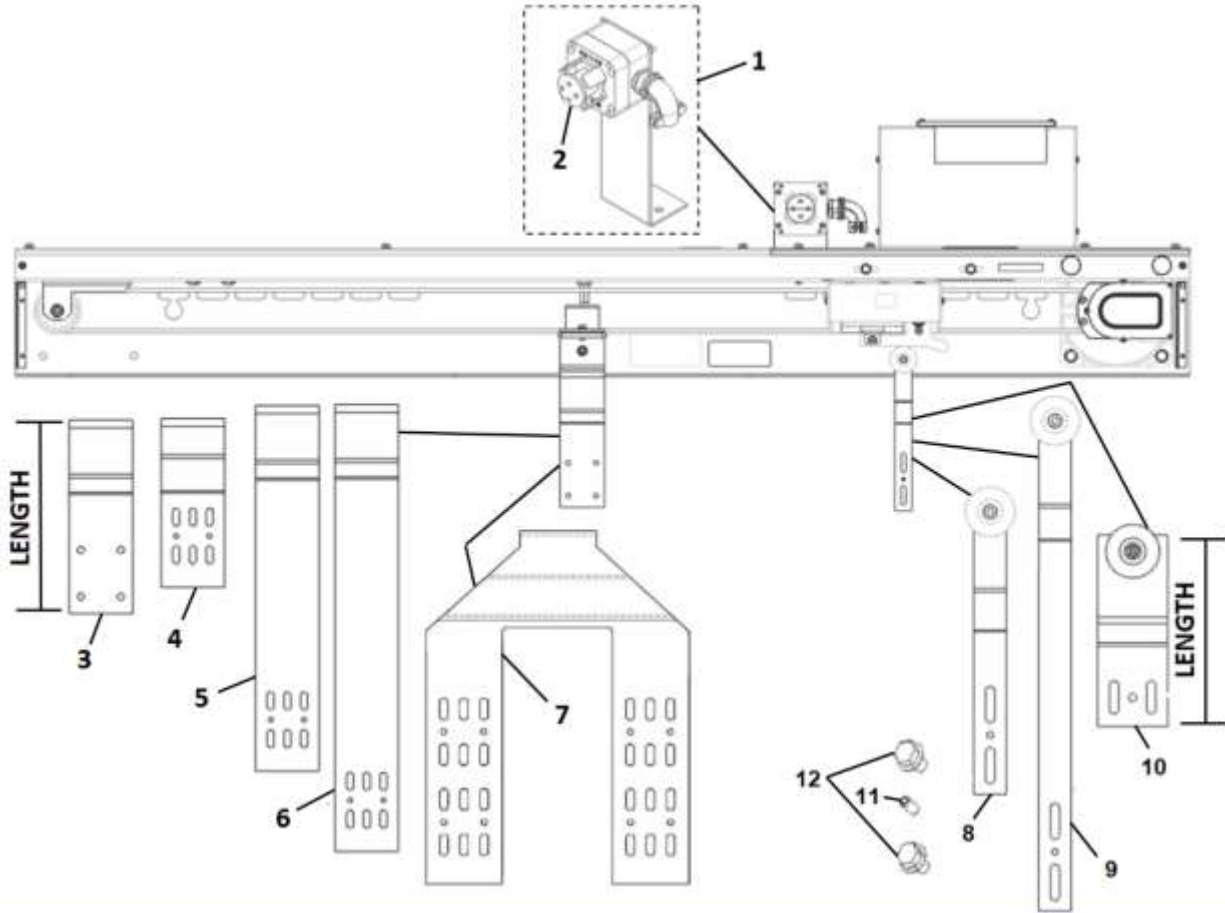
AAA24450AE					
REF. No.	PART No.	DESCRIPTION	EW (in.)	ENTRANCE TYPE	HAND
1	AAA25580BH1	Assembly, Stop Switch	---	---	---
2	AAA283BKX1	Bracket, Door Hitch	---	---	---
3	AAA24450AE13	Glide Door Operator, Front, 135W	42 and 48	C/O	RH
	AAA24450AE14		36 and 42	S/S	RH
	AAA24450AE15		48 and 54	2/S	RH
	AAA24450AE16		42 and 48	C/O	LH
	AAA24450AE17		36 and 42	S/S	LH
	AAA24450AE18		48 and 54	2/S	LH
	AAA24450AE19	Glide Door Operator, Rear, 135W	42 and 48	C/O	RH
	AAA24450AE20		36 and 42	S/S	RH
	AAA24450AE21		48 and 54	2/S	RH
	AAA24450AE22		42 and 48	C/O	LH
	AAA24450AE23		36 and 42	S/S	LH
	AAA24450AE24		48 and 54	2/S	LH
4	AAA288AEK2	Lever, Roller Arm	---	---	---

Otis Glide[®] Door Operator

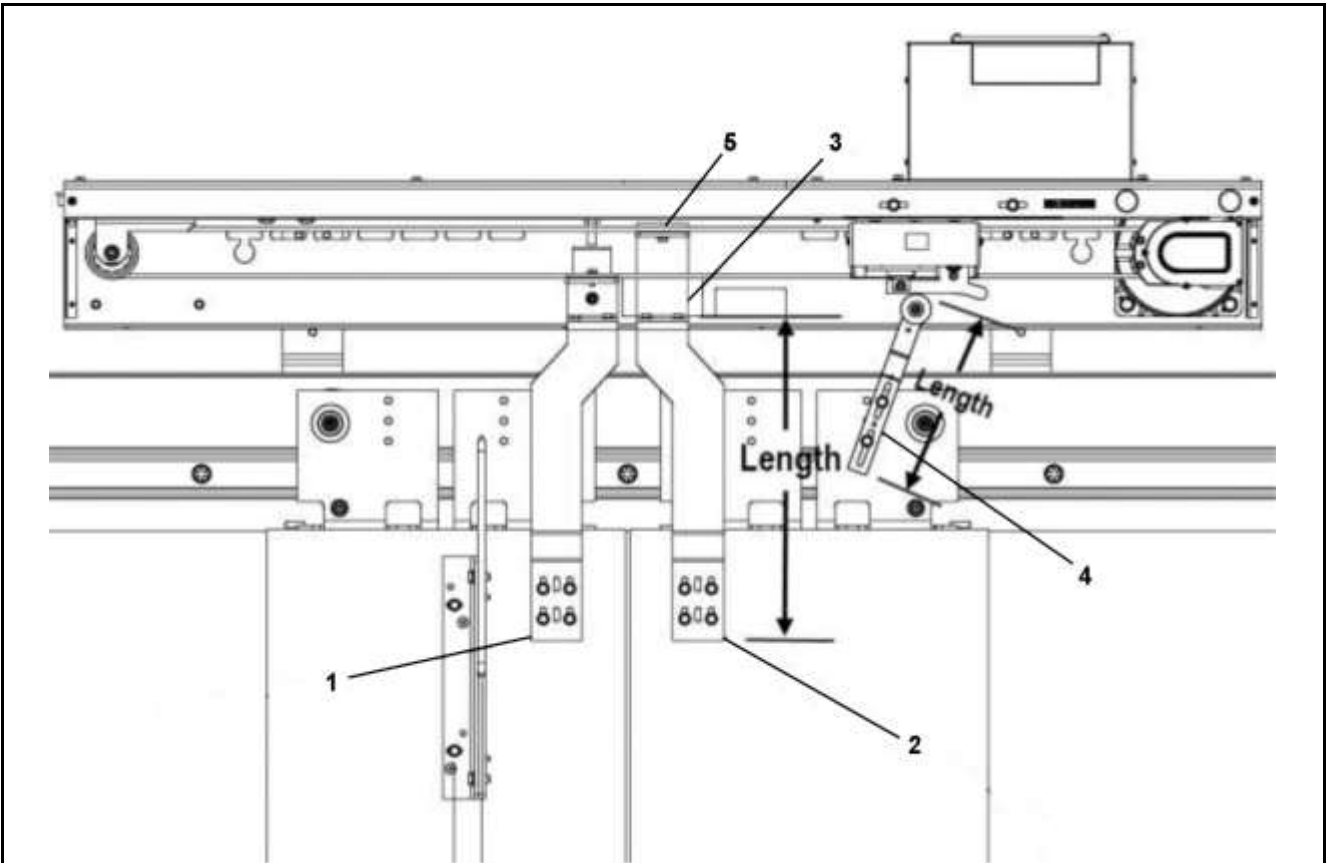
23-AAA24450AE



REF. No.	PART No.	DESCRIPTION	EW (in.)	ENTRANCE TYPE	HAND
1	AAA24450AE51	Glide A Door Operator, Front and Rear, with Load Weighing	48-60	2/S & S/S	RH
	AAA24450AE52		51-60	C/O	
	AAA24450AE53		41-47	2/S & S/S	
	AAA24450AE54		37-50	C/O	
	AAA24450AE55		39-40	2/S & S/S	
	AAA24450AE56		33-36	C/O	
	AAA24450AE57		24-38	2/S & S/S	
	AAA24450AE58		23-32	C/O	LH
	AAA24450AE59		48-60	2/S & S/S	
	AAA24450AE60		51-60	C/O	
	AAA24450AE61		41-47	2/S & S/S	
	AAA24450AE62		37-50	C/O	
	AAA24450AE63		39-40	2/S & S/S	
	AAA24450AE64		33-36	C/O	
	AAA24450AE65		24-38	2/S & S/S	
	AAA24450AE66		23-32	C/O	



AAA24450AE			
REF. No.	PART No.	DESCRIPTION	LENGTH (in)
1	AAA25580BH1	Assembly, Stop Switch	---
2	AAA22800H400	Stop Switch	---
3	AAA283BKK1	Bracket, Door Hitch	7.6
4	AAA283BKK3		6.7
5	AAA283BKK4		14.5
6	AAA283BKK5		24.4
7	AAA392EW1		24.4
8	AAA288AEK2	Lever, Roller Arm	9.0
9	AAA288AEK4		15.4
10	288RH46		5.8
11	---	Pin, Spring, 5 x 10	---
12	---	Screw, Hex Head, Serrated Flange, M6 x 10	---



		AAA24430AS		
REF. No.	PART No.	DESCRIPTION	LENGTH (in)	
1	AAA392EX1	Bracket, LH Hitch, Extended Reach	18.0	
	AAA392EX3	Bracket, LH Hitch, Standard Reach	10.3	
2	AAA392EX2	Bracket, RH Hitch, Extended Reach	18.0	
	AAA392EX4	Bracket, RH Hitch, Standard Reach	10.3	
3	AAA392DY2	Clamp, Belt	---	
*	AAA174CBA13	Extension Hardness, DCP Sensor (not shown)	15.7	
**	AAA24430AS1	Kit, Belt Relating, Standard Reach	---	
	AAA24430AS2	Kit Belt, Relating, Extended Reach, see NOTE	---	
4	AAA288AEK4	Lever, Roller Arm, Standard Reach	15.4	
	AAA288AEK6	Lever, Roller Arm, Extended Reach	17.8	
5	AAA386LQC4	Plate	---	

* Part not shown.

** Kit includes references 1, 2, 3, 4, 5 and p/n AAA174CBA13. See TIP 22.17.1-11 for more information on Glide A Belt Relating.