

Black Belt Door Operator, Linkage Assemblies

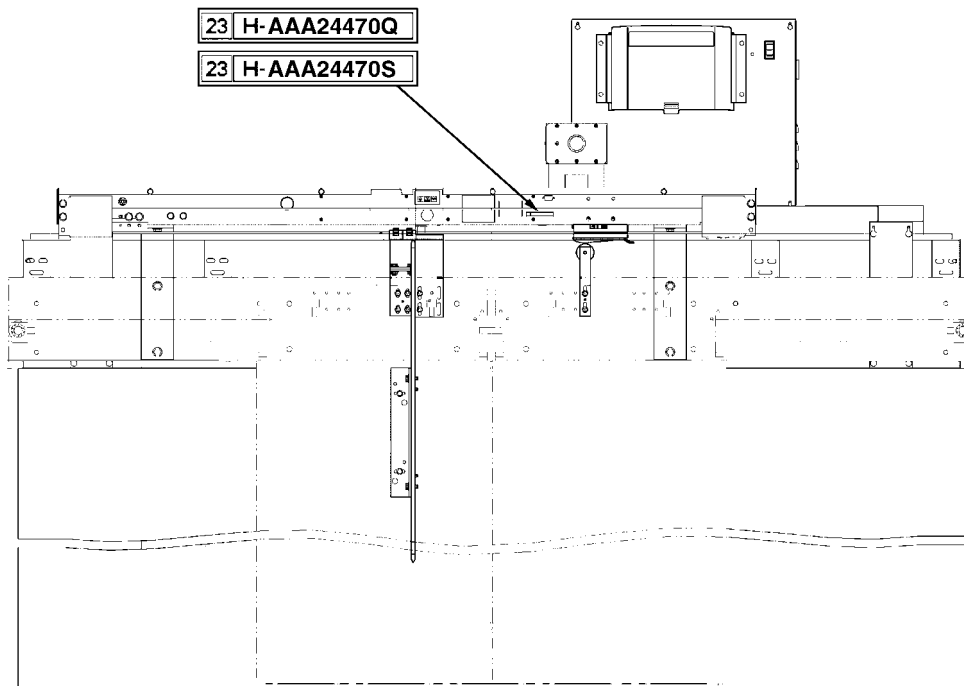
Spare Parts Leaflet
23-AAA24450S

February 2, 2022 / Page 1 of 6

OBSOLESCENCE NOTICE

The product covered in this SPL has been designated as obsolete and is no longer supported. See TIP 32.2-1, *Obsolete Components*, for potential upgrade. Replacement lower level parts listed within and unique to this design are not being restocked when depleted. Some of these parts, depending on availability and other factors, may be quoted through Customer Service, but most will have extended lead times and increased cost due to low volume production.

NOTE: The SPL includes LRUs for both the single-slide and center-opening Black Belt door operators.



Center-Opening Doors Operator System Shown

OTIS

This document does not contain any technical data subject to EAR or ITAR

SERVICE ENGINEERING
Otis Elevator Company
Bloomfield, Connecticut USA

Unpublished Work—© Otis Elevator Co.; 2022

Leaflet Description

This leaflet provides spare part information for the Black Belt Door Operator (BBDO) complete operator/linkage assemblies for 36 in. and 42 in. single-slide opening doors, and 42 in. center-opening doors. Part numbers and Lowest Replaceable Units (LRU) for the engine unit/controller are in SPL 23-AAA24350BN.

Leaflet Revisions

Date Revised	Subject Matter Expert	Reason for Revision
December 31, 2001	Jeffrey A. Smith	New SPL
February 2, 2022	Juan Murillo	Added Obsolescence Notice on cover page

Related Drawings

Drawing No.	Title	Drawing No.	Title
AAA24350BN	Assembly: Door Operator, Drive Unit	AAA24470Q	Arrangement and Assembly: Door Operator, Black Belt Center-Opening
AAA24450S	Arrangement and Assembly: Door Operator, Black Belt Single-Slide	---	---

Related Documents

Document ID	Title
SWP N-22.15.1	Standard Work Process (SWP) Black Belt Operator
AAA102ALC1	Installation Sheet, Black Belt Door Operator

Subject Matter Expert

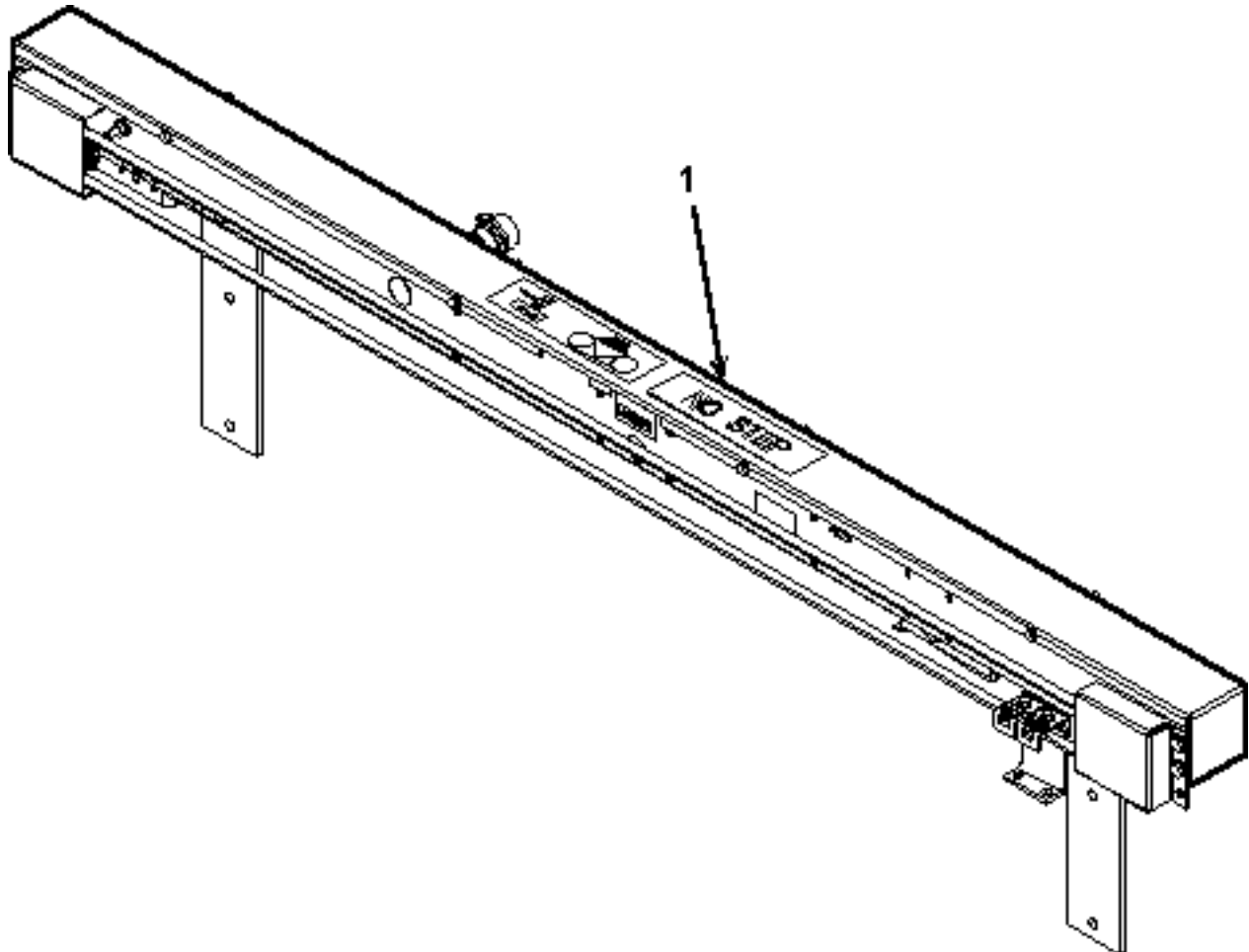
Name	Department
Juan Murillo	OSC Service Engineering

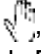

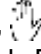
About Spare Parts Leaflets...

This document lists the lowest replaceable units (LRUs) for the standard version of the product. The LRUs are chosen by a team of Otis associates representing engineering and manufacturing.

While goal of this document is to make parts identification as easy as possible, the document cannot be all-inclusive. Elevator and escalator contracts classified as "special" or "custom" are not addressed here. For such contracts, please refer to specified information, the contract folder, TIPs, Field Education Articles, Construction Letters, etc. for further information.

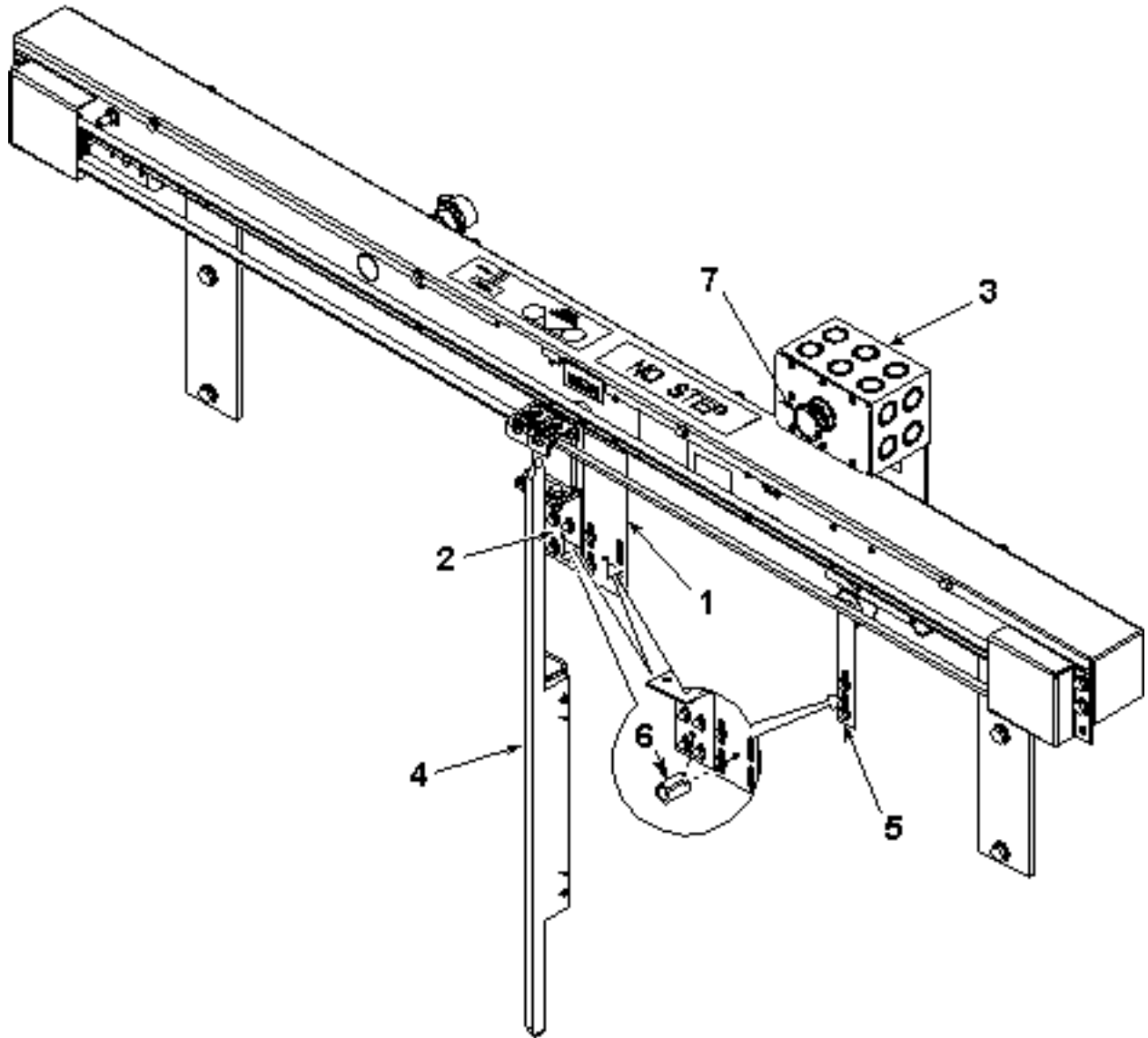
If you have any suggestions about this document, please contact the subject matter expert listed on this page.



REF. NO.	PART or ML	DESCRIPTION	
	AAA24470Q AAA24450S		
1	AAA24350BN1	Assembly, Door Operator, Drive Unit,  , for 914 mm (36 in.) or 1067 mm (42 in.) Single-Slide Door	 SPL 23-AAA24350BN
	AAA24350BN2	Assembly, Door Operator, Drive Unit,  , for 914 mm (36 in.) or 1067 mm (42 in.) Single-Slide Door	
	AAA24350BN3	Assembly, Door Operator, Drive Unit for 1067 mm (42 in.) Center-Opening Doors (shown)	

23-AAA24450S

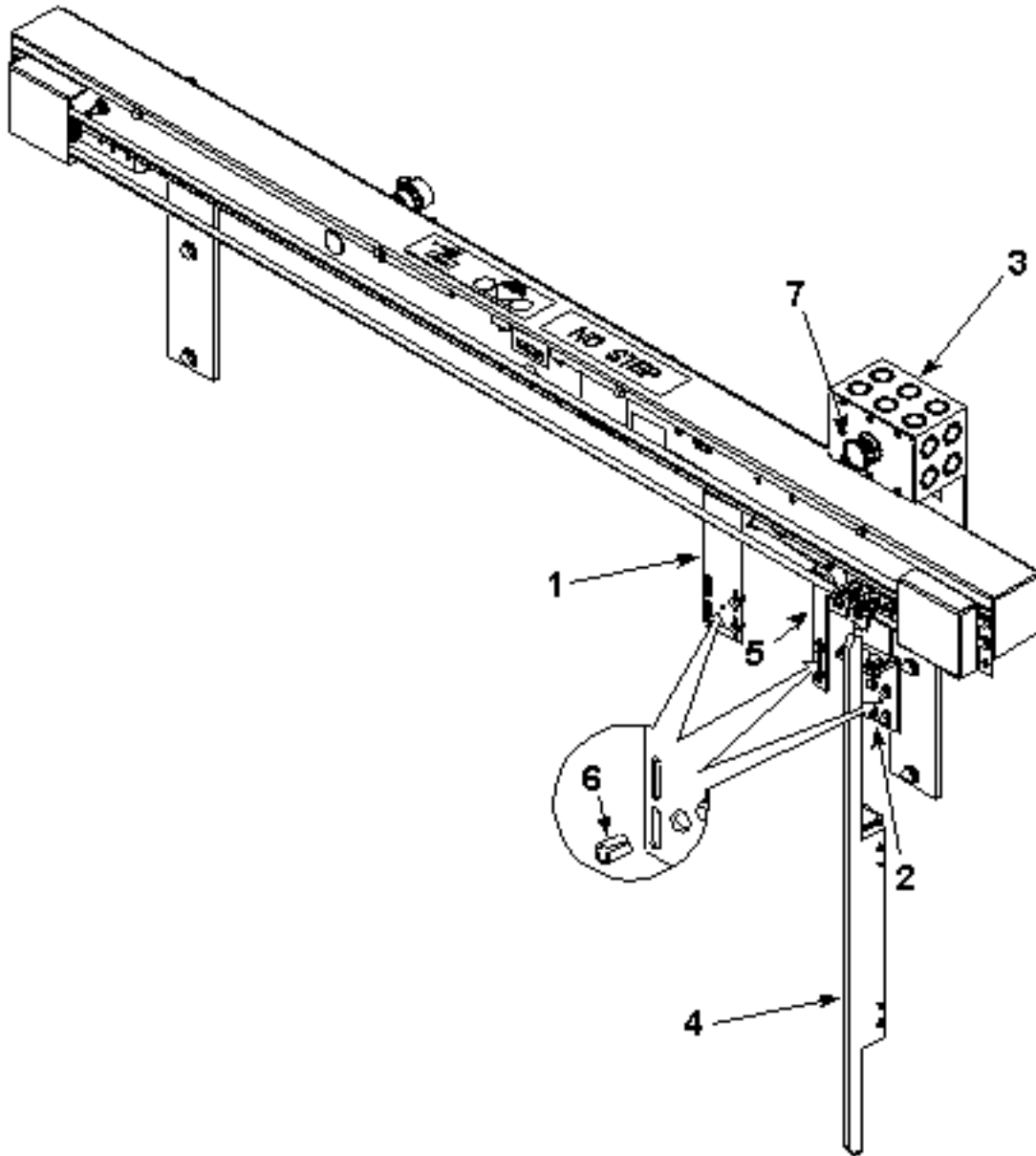
Center-Opening Door Linkage




REF. No.	AAA24470Q PART No.	DESCRIPTION
1	AAA283ASM1	Angle, Formed
2	AAA283ASR1	Angle, Formed
3	AAA25580AJ1	Assembly, Stop Switch
4	AAA6940BZ1	Assembly, Vane
5	288RH26	Lever, Arm Roller
6	ISO8752-5X10B	Pin, Spring, M5 x 10
7	AAA635L12	Switch

Single-Slide Door Linkage

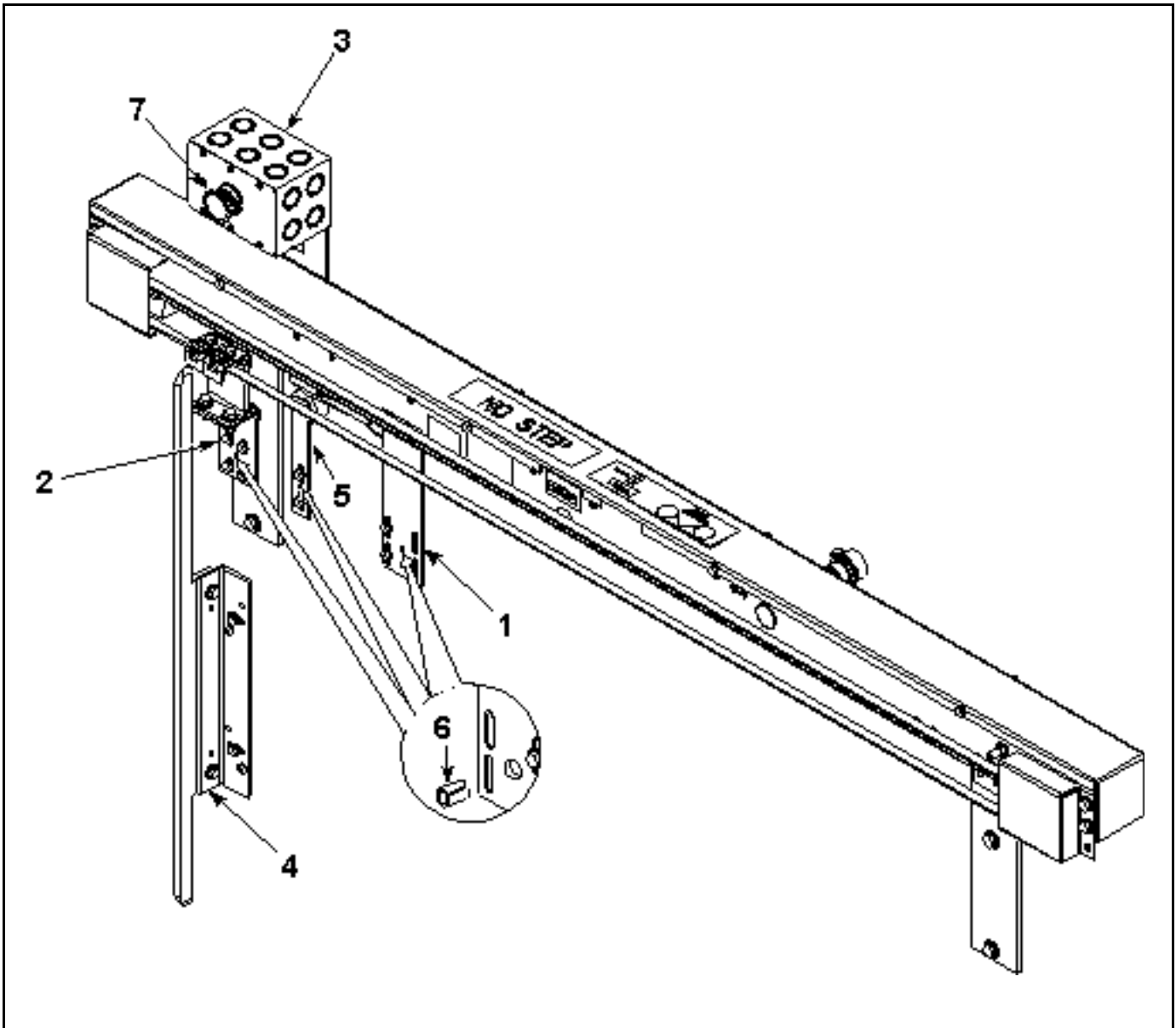
23-AAA24450S



REF. No.	PART No.	DESCRIPTION
1	AAA283ASM1	Angle, Formed
2	AAA283ASR1	Angle, Formed
3	AAA25580AJ1	Assembly, Stop Switch
4	AAA6940BZ1	Assembly, Vane 
5	288RH26	Lever, Arm Roller
6	ISO8752-5X10B	Pin, Spring, M5 x 10
7	AAA635L12	Switch

23-AAA24450S

Single-Slide Door Linkage



AAA24470S		
REF. No.	PART No.	DESCRIPTION
1	AAA283ASM1	Angle, Formed
2	AAA283ASR1	Angle, Formed
3	AAA25580AJ1	Assembly, Stop Switch
4	AAA6940BZ2	Assembly, Vane
5	288RH26	Lever, Arm Roller
6	ISO8752-5X10B	Pin, Spring, M5 x 10
7	AAA635L12	Switch