

Door Operator, AT400
Center-Opening Doors
(New Equipment)

Spare Parts Leaflet

23-AAA24470R

November 20, 2019 / Page 1 of 6

NOTE: The SPL includes LRUs for center-opening, single-slide, and two-speed door systems.

Single-Slide
Door

23 H - AAA24450T

23 H - ABA24450T

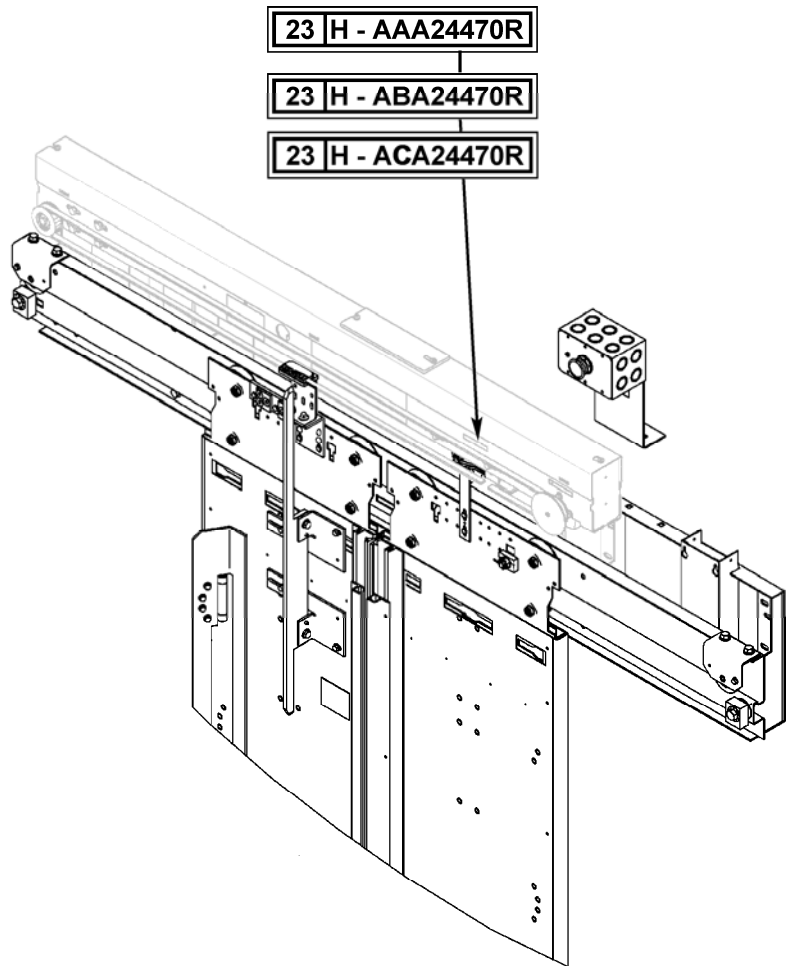
23 H - ACA24450T

Two-Speed
Doors

23 H - AAA24460G

23 H - ABA24460G

23 H - ACA24460G



Center-Opening Doors Operator System Shown



This document does not contain any technical data subject to EAR or ITAR

SERVICE ENGINEERING
Otis Elevator Company
Bloomfield, Connecticut USA

Unpublished Work—© Otis Elevator Co.; 2019

Leaflet Description

This leaflet describes the lowest replaceable parts (LRU) for the AT400 door operator's (new equipment) door system. The door arrangements supported are the center-opening, two-speed, and single-slide doors.

NOTE: SPL 23-AAA24470S describes the "modernization" AT400 door operator door system LRUs of converted 7300 type door operators.

Leaflet Revisions

Date Revised	Subject Matter Expert	Reason for Revision
April 8, 2002	Pankaj Kothari	New SPL (not published)
October 28, 2003	Jeffrey A. Smith	Update parts and reflect weldless door system changes
June 18, 2008	Troy Chicoine	Updated parts list
January 8, 2014	Brian Regan	Added Vintage ACA information
November 20, 2019	Peter Kelley	Revised history page

Related Drawings

Drawing No.	Title	Drawing No.	Title
AAA24350BK	AT400 Door Operator	ABA24470R	Arrangement and Assembly AT400 Center-Opening Door Operator
ABA24460G	Arrangement and Assembly AT400 Two-Speed Door Operator	ABA24450T	Arrangement and Assembly AT400 Single-Slide Door Operator

Related Documents

Document ID	Title
SPL 23-AAA24350BK	AT400 Door Operator
SPL 23-AAA24460G	Door Operator, AT400 (New Equipment) Linkage, Two-Speed Doors (pointer SPL)
SPL 23-AAA24450T	Door Operator, AT400 (New Equipment) Linkage, Single-Slide Door (pointer SPL)

Subject Matter Expert

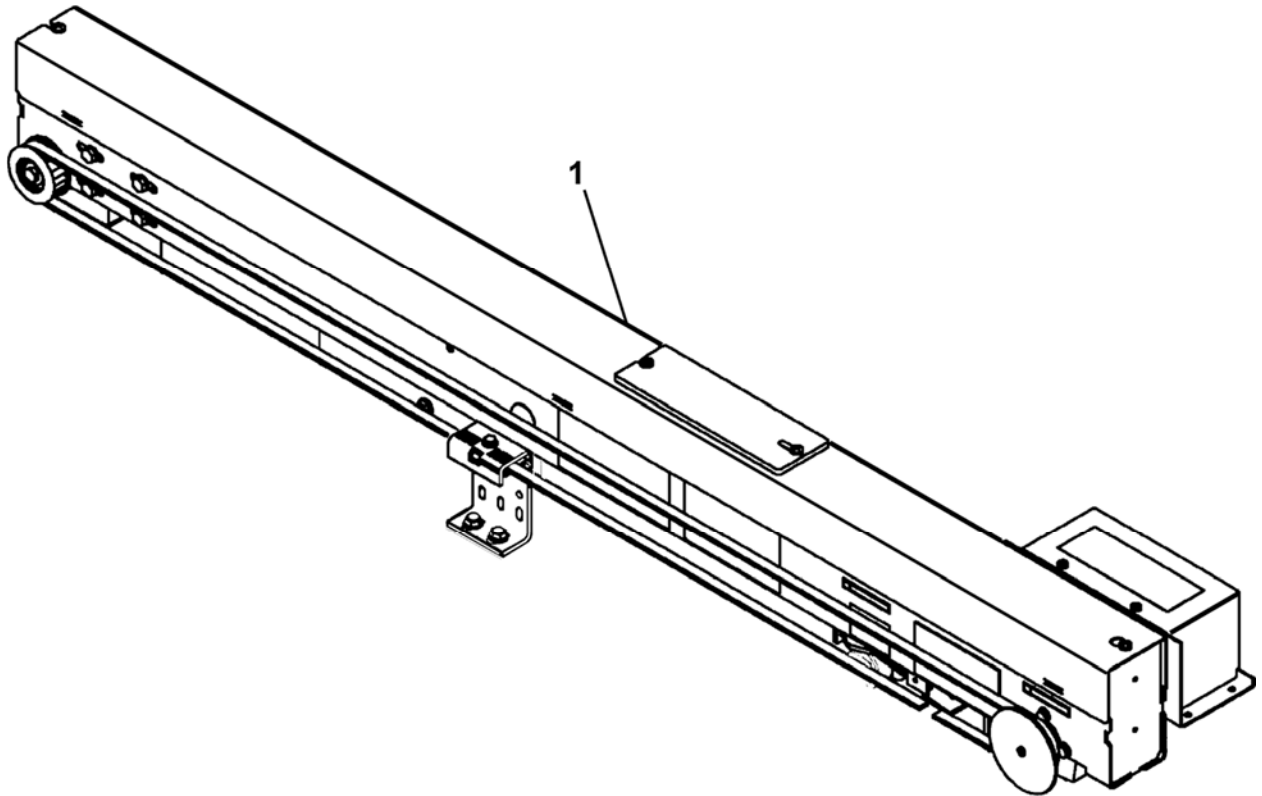
Name	Department
Peter Kelley	OSC Service Engineering


About Spare Parts Leaflets...

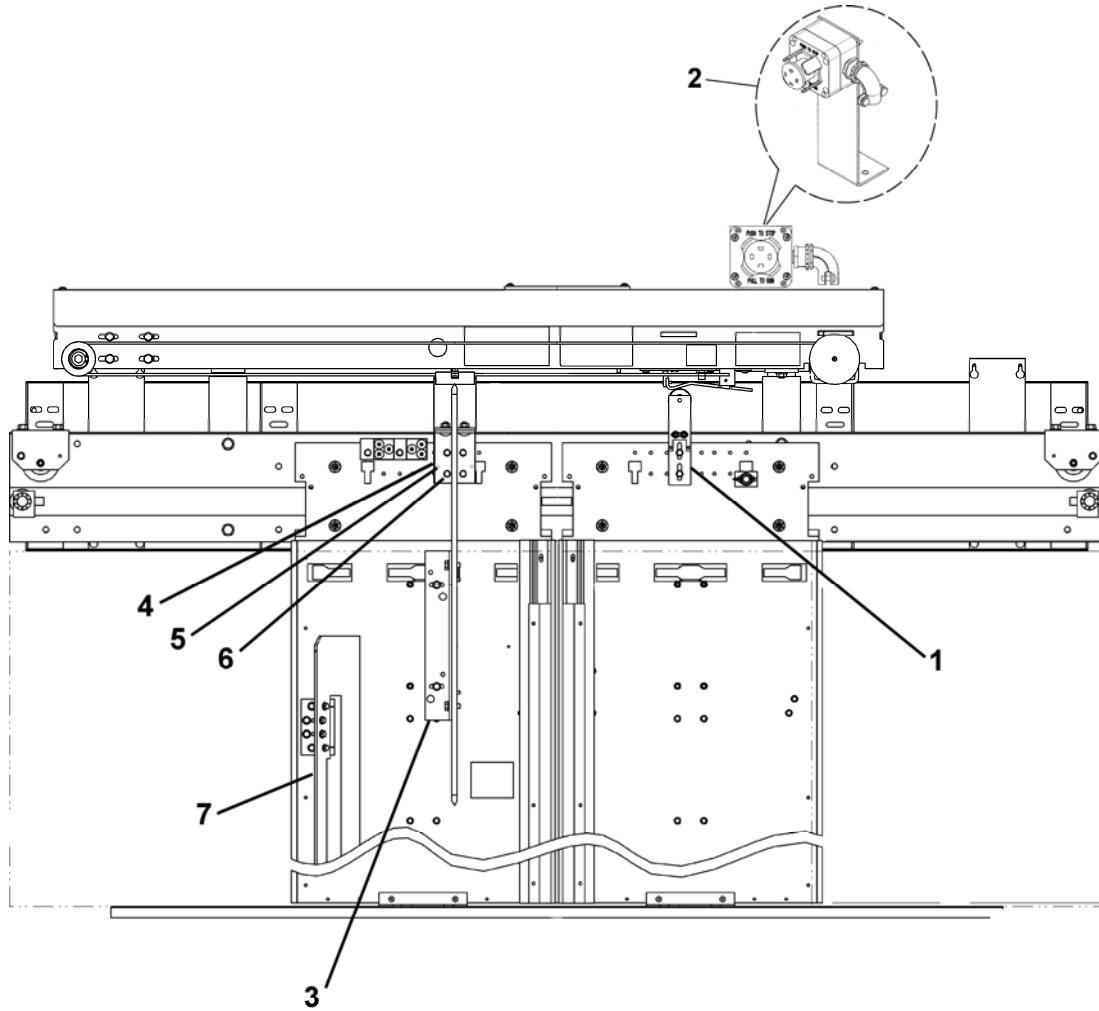
This document lists the lowest replaceable units (LRUs) for the standard version of the product. The LRUs are chosen by a team of Otis associates representing engineering and manufacturing.

While goal of this document is to make parts identification as easy as possible, the document cannot be all-inclusive. Elevator and escalator contracts classified as "special" or "custom" are not addressed here. For such contracts, please refer to specified information, the contract folder, TIPs, Field Education Articles, Construction Letters, etc. for further information.


If you have any suggestions about this document, please contact the subject matter expert listed on this page.



REF. NO.	PART or ML	DESCRIPTION
1	---	AT400 Door Operator  SPL 23-AAA24350BK

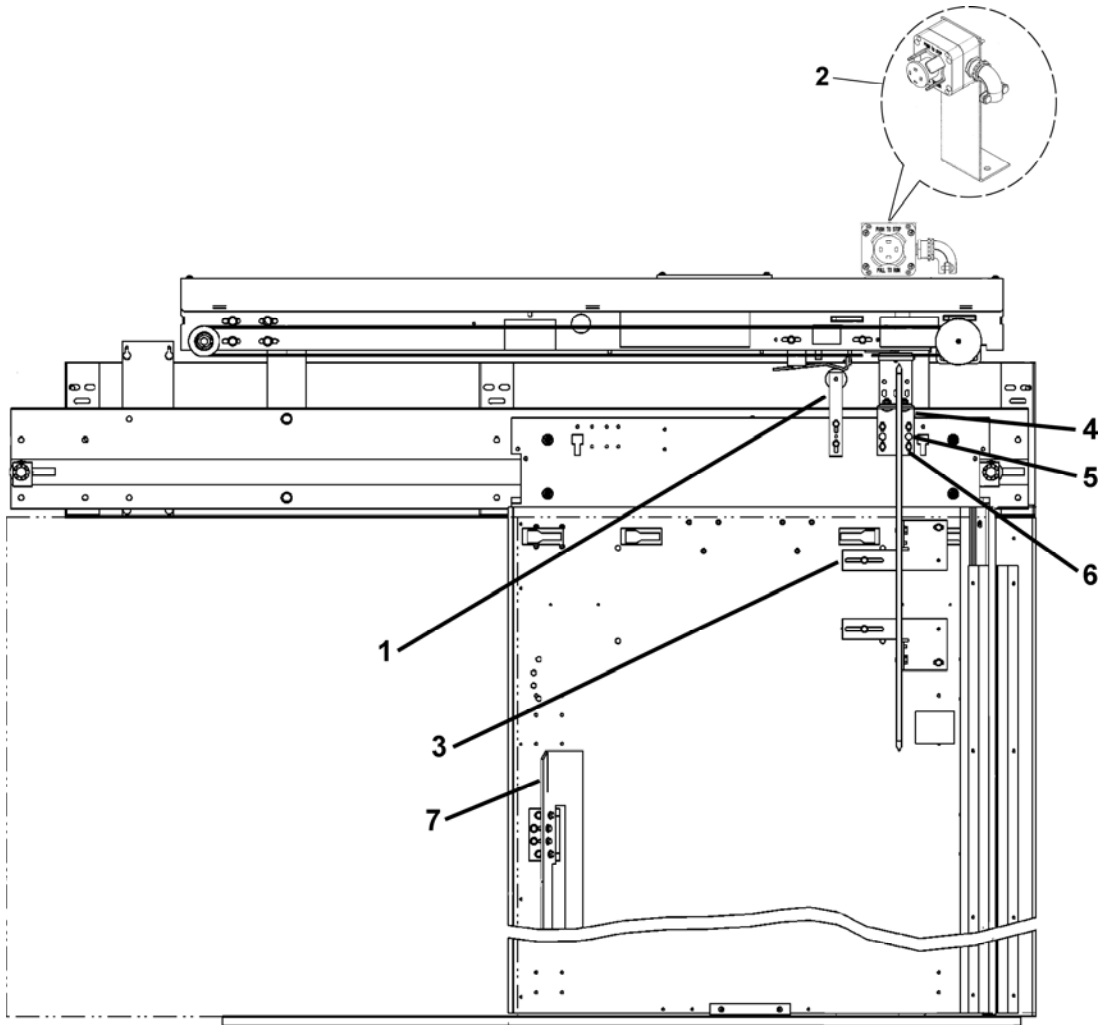


Type AAA24470R Center-Opening Doors System Shown


	AAA24470R	ABA24470R	ACA24470R	
REF. No.	PART No.			DESCRIPTION
1	AAA24520D2 288RH28		288RH28	Assembly, Gate Switch Roller
2	AAA25580AJ4 AAA25580BH1		AAA25580BH1	Assembly, Stop Switch
3	AAA6940BZ1	AAA24395C1		Assembly, Vane,  (type AAA6940BZ shown)
4	AAA283ATJ1	AAA283ATJ2		Bracket, Hitch
5	---	AAA141AV1		Rivet, Drive
6	109P2			Screw, Thread Forming, 1/4-20 x 5/8 in.
7	---			Stop, Auxiliary Door see SPL 19-AAA6940BY

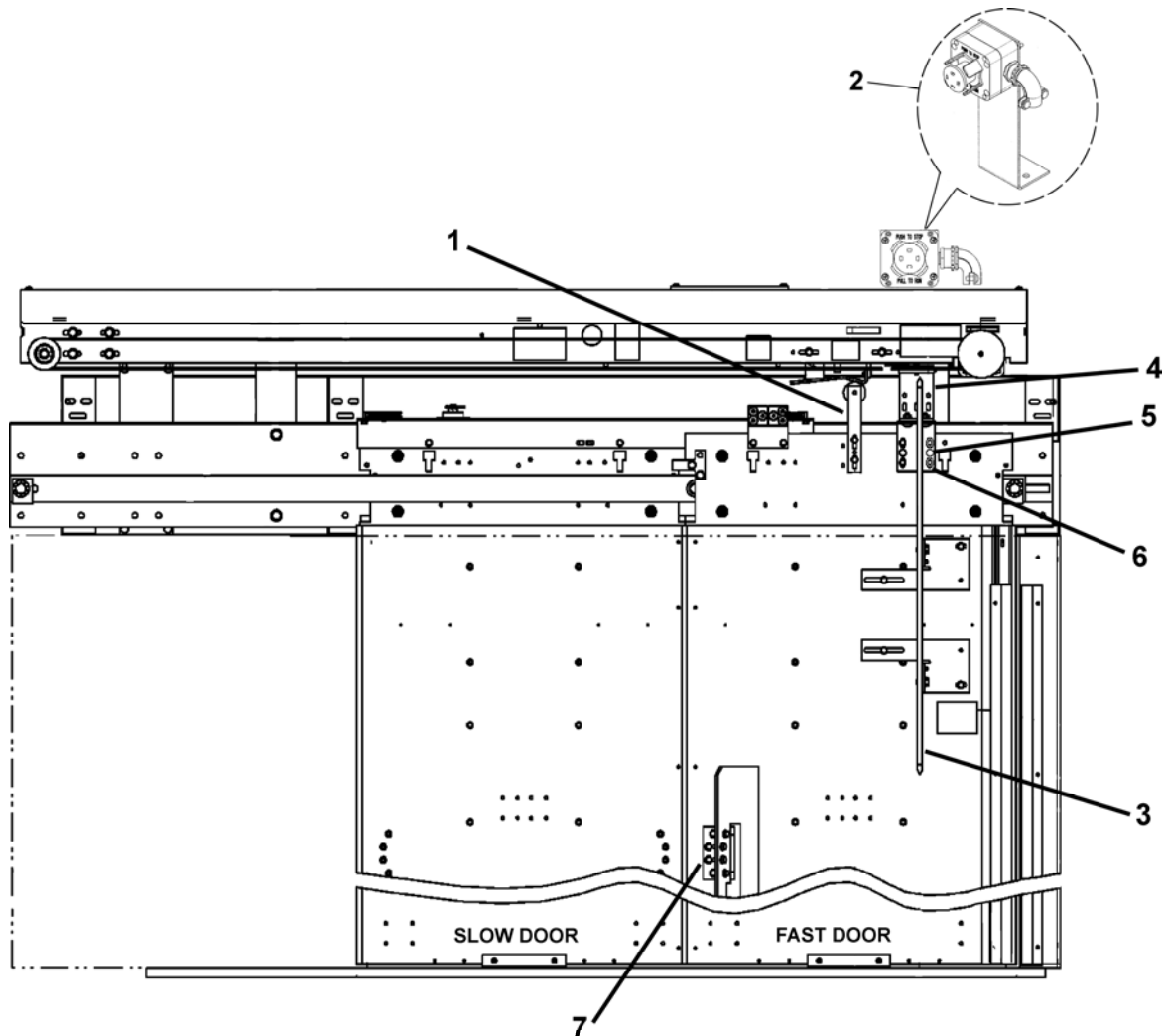
Single-Slide Door Linkage

23-AAA24470R





Type ABA24450T Single-Slide Door System Shown

REF. No.	PART No.		DESCRIPTION	
	AAA24450T	ABA24450T		ACA24450T
1	AAA24520D2 288RH28	288RH28		Assembly, Gate Switch Roller
2	AAA25580AJ4 AAA25580BH1		AAA25580BH1	Assembly, Stop Switch
3	AAA6940BZ1	AAA24395C1		Assembly, Vane,  (type AAA6940BZ shown)
	AAA6940BZ2	AAA24395C2		Assembly, Vane,  (type AAA6940BZ shown)
4	AAA283ATJ1	AAA283ATJ2		Bracket, Hitch
5	---	AAA141AV1		Rivet, Drive
6	109P2			Screw, Thread Forming, 1/4-20 x 5/8 in.
7	---			Stop, Auxiliary Door, see SPL 19-AAA6940BY



Type ABA24460G Two-Speed Doors System Shown

REF. No.	PART No.		DESCRIPTION
1	AAA24460G AAA24520D1 288RH30	ABA24460G 288RH30	ACA24460G Assembly, Gate Switch Roller
2	AAA25580AJ1 AAA25580BH1	AAA25580BH1	Assembly, Stop Switch
3	AAA6940BZ1	AAA24395C1	Assembly, Vane,  (type AAA6940BZ shown)
	AAA6940BZ2	AAA24395C2	Assembly, Vane,  (type AAA6940BZ shown)
4	AAA283ATJ1	AAA283ATJ2	Bracket, High
5	---	AAA141AV1	Rivet, Drive
6		109P2	Screw, Thread Forming, 1/4-20 x 5/8 in.
7		---	Stop, Auxiliary Door, see SPL 19-AAA6940BY