

Arrangement
i-MOTION® II and
Linkage Assemblies

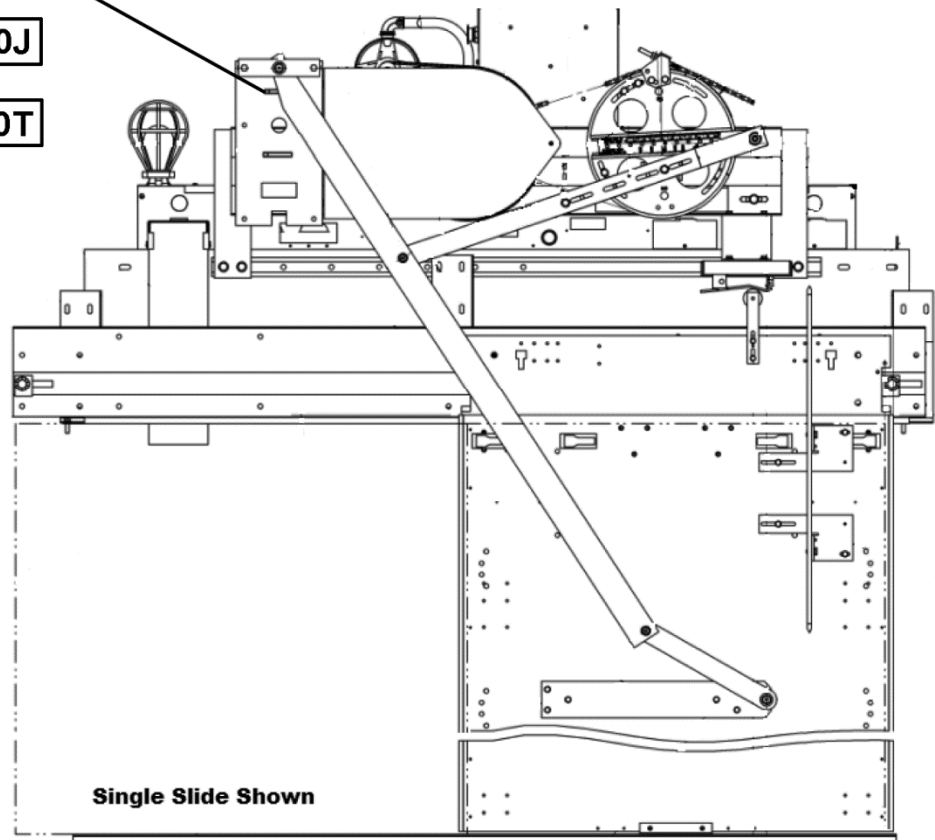
Spare Parts Leaflet
23-AAA24470T

November 20, 2019 / Page 1 of 5

23 H - AAA24450V

23 H - AAA24460J

23 H - AAA24470T



Single Slide Shown

OTIS

This document does not contain any
technical data subject to EAR or ITAR

SERVICE ENGINEERING
Otis Elevator Company
Bloomfield, Connecticut USA

Unpublished Work—© Otis Elevator Co.; 2019

Leaflet Description

This leaflet provides spare parts information for i-MOTION II door operator linkage assemblies for center-opening, single-slide, and two-speed doors. It covers AAA24450V, AAA24460J, and AAA24470T linkage assemblies.

Leaflet Revisions

Date Revised	Subject Matter Expert	Reason for Revision
December 4, 2013	Brian Regan	New SPL
November 20, 2019	Peter Kelley	Revised history page

Related Drawings

Drawing No.	Title	Drawing No.	Title
AAA24450V	Arrangement i-MOTION II and Linkage Assembly for S/S Door	AAA24460J	Arrangement i-MOTION II and Linkage Assembly for 2/S Door
AAA24470T	Arrangement i-MOTION II and Linkage Assembly for C/O Door	AAA24350BH	Door Operator i-MOTION II C/O, S/S, 2/S

Related Documents

Document ID	Title
23-AAA24350BH	Harmonic Drive i-MOTION II Door Operator Engine Unit

Subject Matter Expert

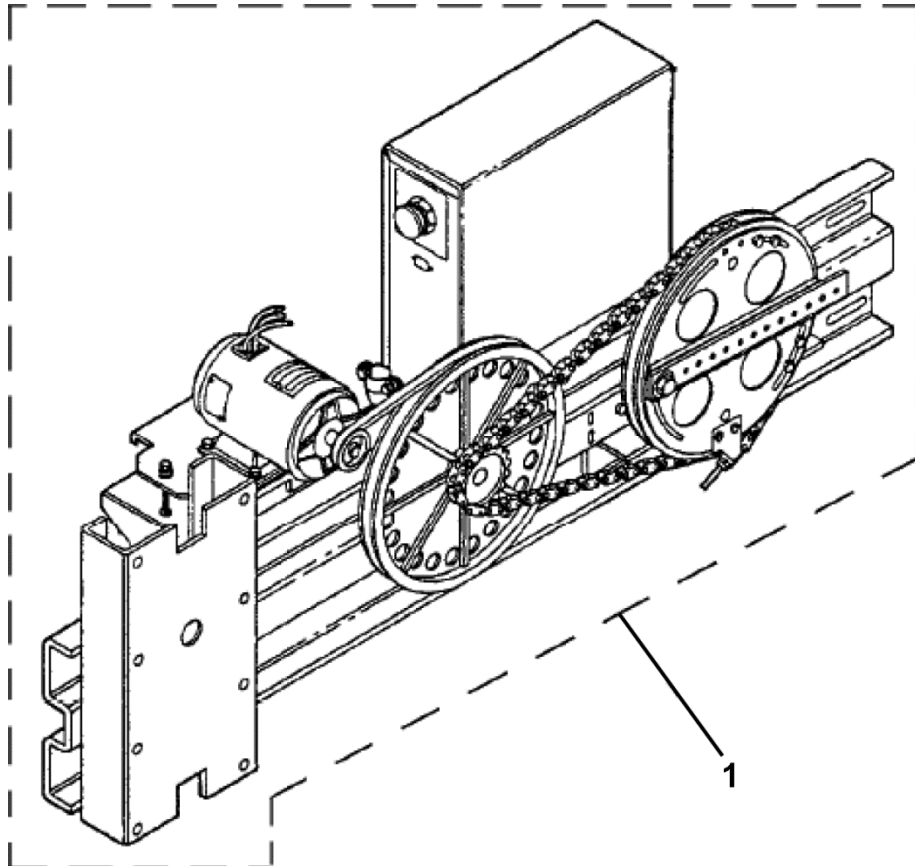
Name	Department
Peter Kelley	OSC Service Engineering




About Spare Parts Leaflets...


This document lists the lowest replaceable units (LRUs) for the standard version of the product. The LRUs are chosen by a team of Otis associates representing engineering and manufacturing.

While goal of this document is to make parts identification as easy as possible, the document cannot be all-inclusive. Elevator and escalator contracts classified as "special" or "custom" are not addressed here. For such contracts, please refer to specified information, the contract folder, TIPs, Field Education Articles, Construction Letters, etc. for further information.

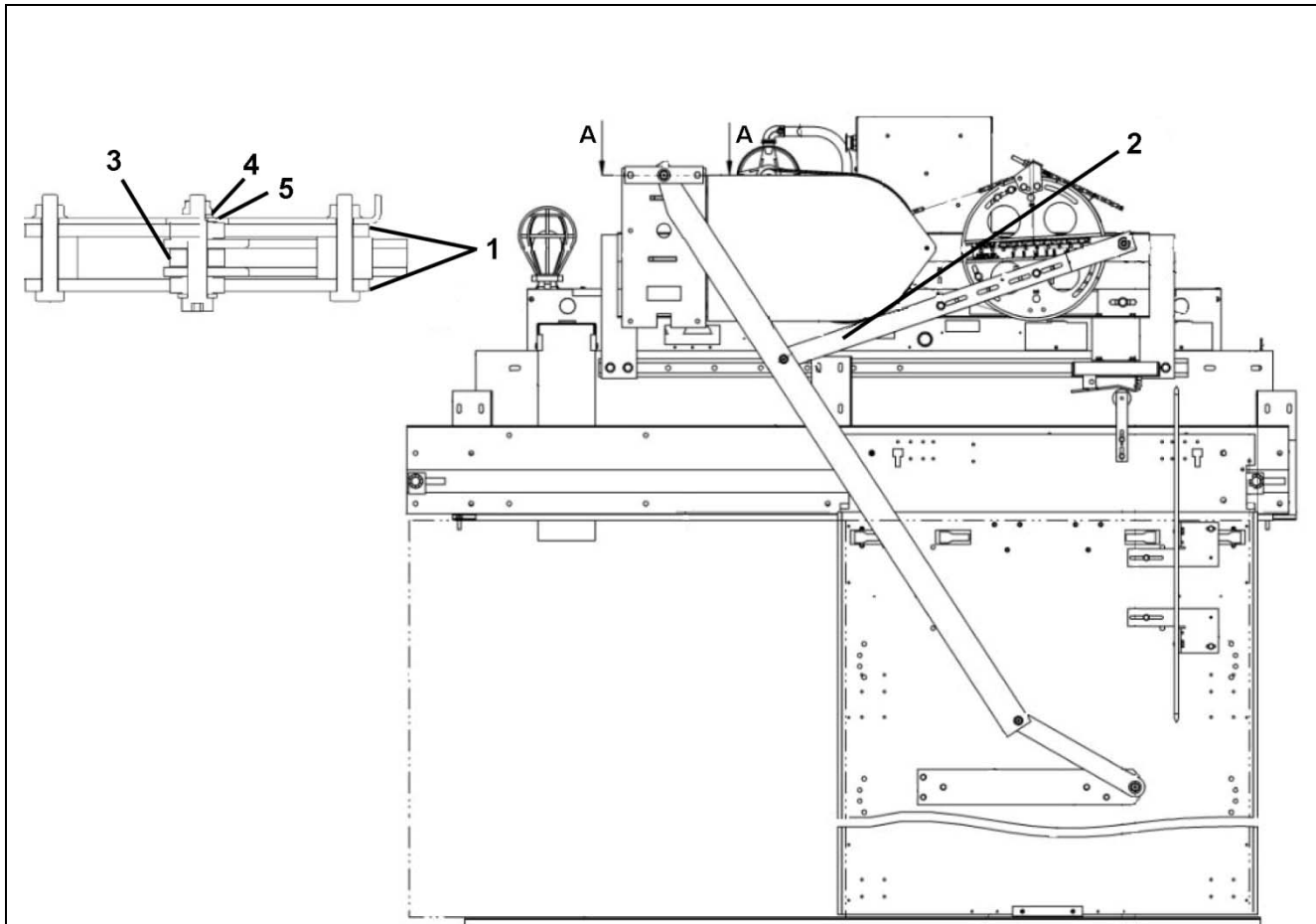
If you have any suggestions about this document, please contact the subject matter expert listed on this page.



	AAA24450V AAA24460J	AAA24470T		
REF. No.	PART No.		DESCRIPTION	WIRING
1	ABA24350BH9	---	Assembly, Operator Engine  , for 36-42 in. S/S, and 48-54 in. 2/S Doors	GEN2 Extended Duty
	---	ABA24350BH10	Assembly, Operator Engine  , for 42-48 in. C/O Doors	
	ABA24350BH11	---	Assembly, Operator Engine  , for 36-42 in. S/S, and 48-54 in. 2/S Doors	

NOTE: For more detailed information on component parts of the engine assembly,  SPL 23-AAA24350BH, Harmonic Drive i-MOTION II Door Operator Engine Unit.

Linkage Components: S/S, C/O, and 2-Speed

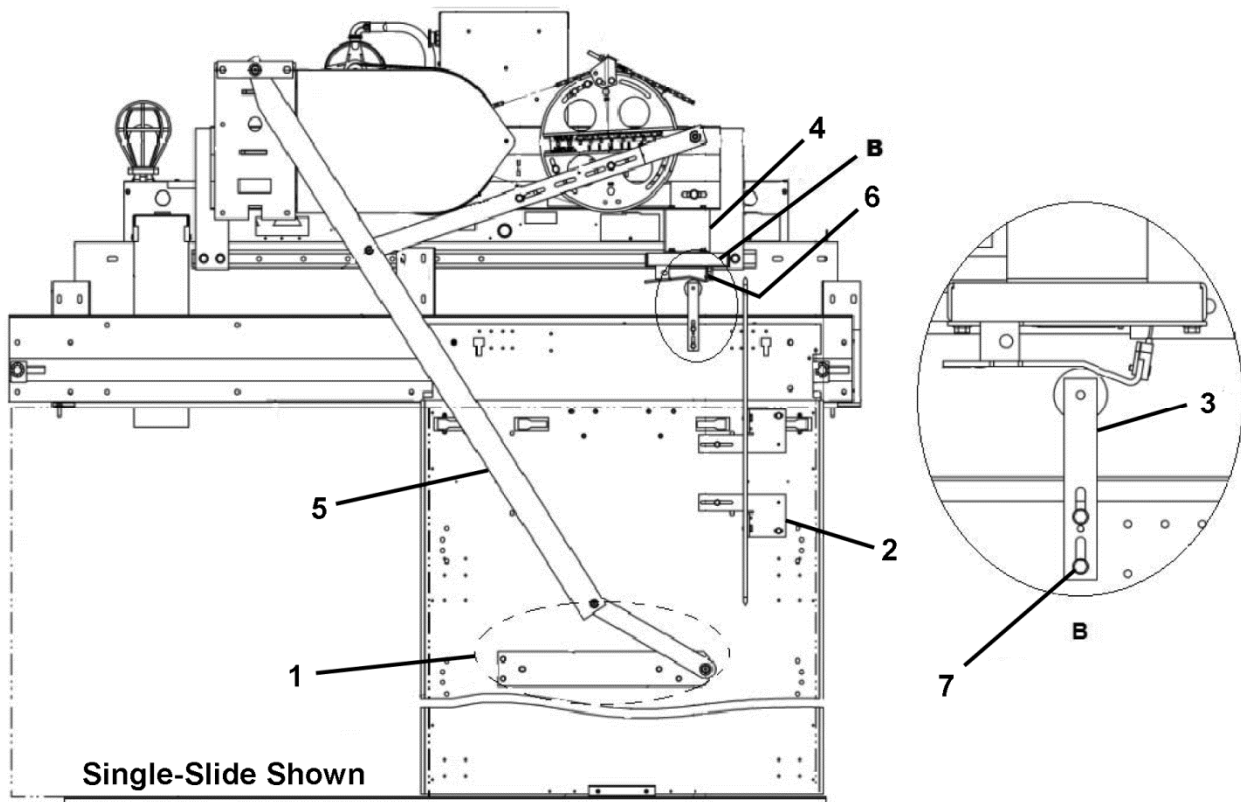




Single-Slide Shown

REF. No.	PART No.	DESCRIPTION
	AAA24450V AAA24460J AAA24470T	
1	AAA299ANY4	Assembly, Drive Arm Mounting Bar
2	395F3	Assembly, Transmission Arm
3	462HA145	Spacer, \varnothing 0.34 in.
	462HA144	Spacer, \varnothing 0.42 in.
4	ISO7089-M8-140HV-Z	Washer, M8 Plain, Normal Series
5	ISO7089-M10-140HV-Z	Washer, M10 Plain, Normal Series

Linkage Components

23-AAA24470T



REF. No.	AAA24450V	AAA24460J	AAA24470T	DESCRIPTION
	PART No.			
1	AAA430ES21	AAA430ES22	AAA430ES14	Assembly, Link
2	AAA24395C1			Assembly, Vane, 
	AAA24395C2		---	Assembly, Vane, 
3	288RH8	---	288RH8	Arm, Roller
	---	288RH22	---	
4	AAA316GLV3		AAA316GLV1	Bracket, Gate Switch
5	AAA288ACE8		AAA288ACE7	Lever, Door Drive
6	AAA25590X1			Switch, Gate
7	109P2			Screw, Hex Head Thread Rolling, 1/4-20 x 0.625 in.