

**Door Operator, AT400
Single-Slide, Center-
Opening, and Two-Speed
NG Door Systems**

**Spare Parts Leaflet
23-AAA24470X**

September 18, 2024 / Page 1 of 4

OBSOLESCENCE NOTICE

The product listed in this SPL is obsolete. Some components may still be available, but Otis recommends an upgrade (see TIP 32.2-1 for potential upgrade).

23 H - AAA24450AA

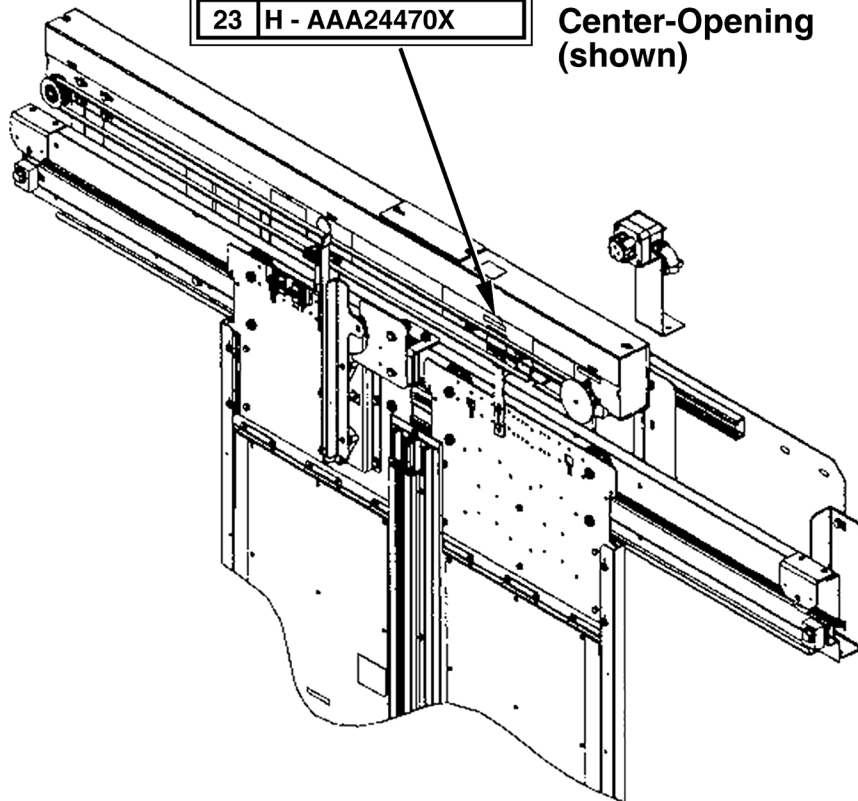
Single-Slide

23 H - AAA24460M

Two-Speed

23 H - AAA24470X

Center-Opening
(shown)



OTIS

This document does not contain any technical data subject to EAR or ITAR

**SERVICE ENGINEERING
Otis Elevator Company
Bloomfield, Connecticut USA**

Unpublished Work—© Otis Elevator Co.; 2024

Leaflet Description

This leaflet details the lowest replaceable units (LRUs) for the AT400 Door Operator used in the NG Door System. The door arrangements supported include center-opening, single-slide, and two-speed doors.

Leaflet Revisions

Date Revised	Subject Matter Expert	Reason for Revision
September 24, 2008	Troy Chicoine	New SPL
March 4, 2009	Troy Chicoine	Correct SPL I.D. from 19- to 24-AAA24390J.
December 4, 2013	Brian Regan	Updated p. 4
November 20, 2019	Peter Kelley	Revised history page
September 18, 2024	Juan Murillo	Added Obsolescence Notices

Related Drawings

Drawing No.	Title	Drawing No.	Title
AAA24350BW	AT400 Door Operator Assembly	AAA24460M	Arrangement AT400 Door Operator Two-Speed Doors
AAA24450AA	Arrangement AT400 Door Operator Single-Slide Door	AAA24470X	Arrangement AT400 Door Operator Center-Opening Doors

Related Documents

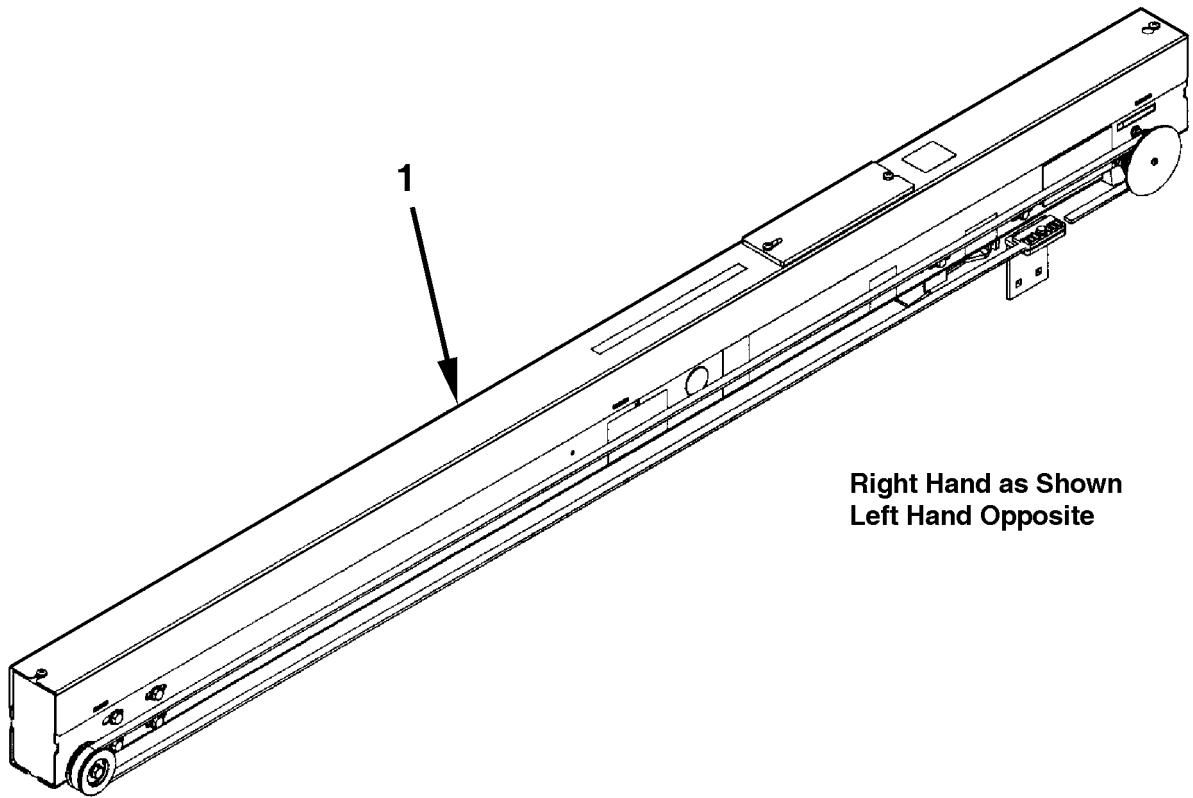
Document ID	Title
SPL 23-AAA24350BK	Door Operator, AT400 Engine Unit
SPL 23-AAA24350BW	AT400 Door Operator Assembly
SPL 23-AAA24450AA	Arrangement AT400 Door Operator Single-Slide Door
SPL 23-AAA24460M	Arrangement AT400 Door Operator Two-Speed Doors
SPL 23-AAA24470X	Arrangement AT400 Door Operator Center-Opening Doors
SPL 23-AAA24470M	I-Motion II Door Operator Linkage Assemblies
SPL 24-AAA24390J	Door Coupler, NG Door System
SPL 19-ABA24520K	Auxiliary Door Stop, NG Door System
SPL 19-AAA24600A	Car Door Hanger and Track NG Door Systems: Single-Slide, Center-Opening, Two-Speed
SPL 24-AAA24390L	Door Coupler, NG Door System

Subject Matter Expert

Name	Department
Peter Kelley	OSC Service Engineering

AT400 Door Operator Engine

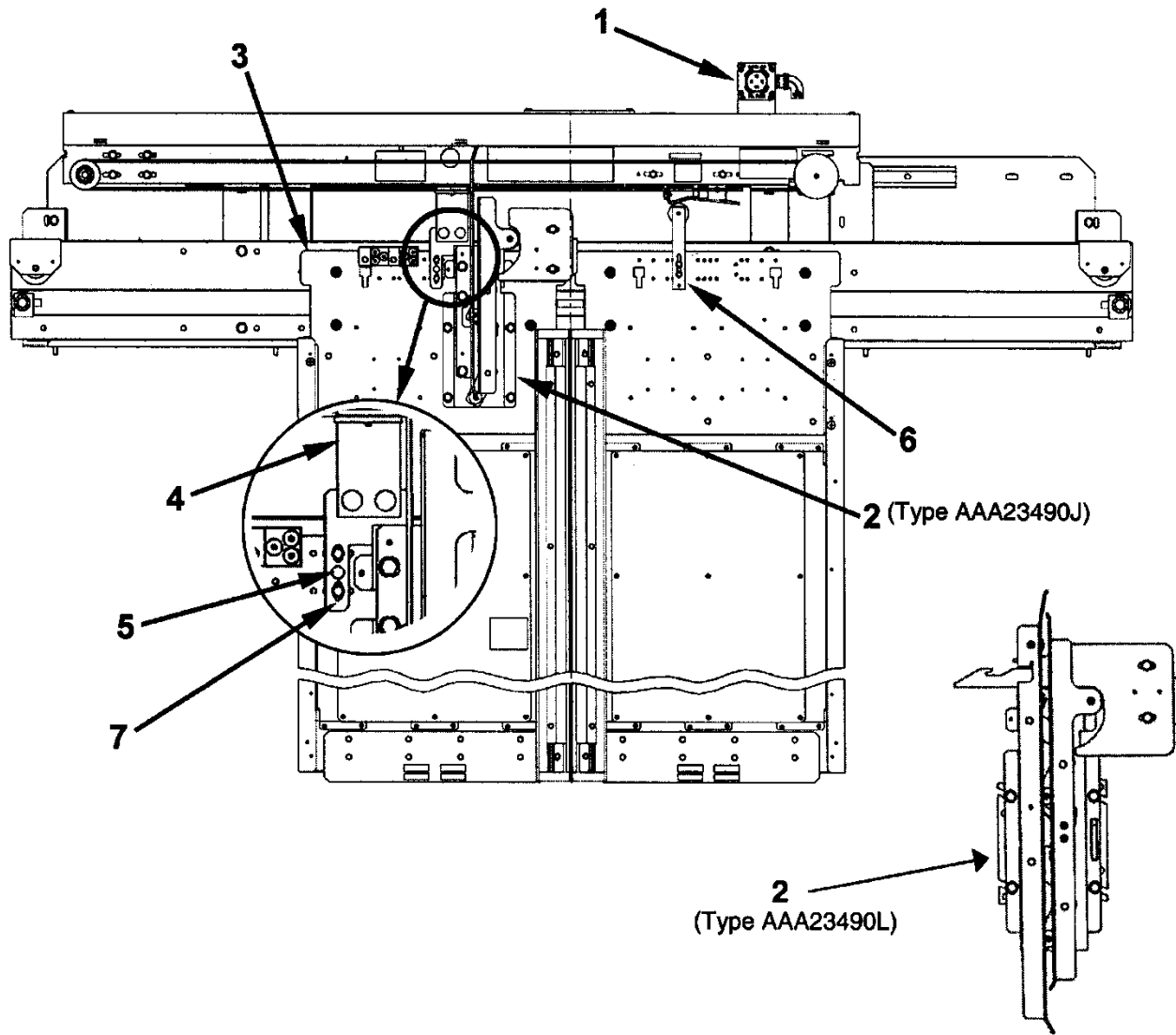
23-AAA24470X



Right Hand as Shown
Left Hand Opposite

REF. No.	PART No.	DESCRIPTION
1	AAA24470X	AT400 Door Operator, Type AAA24350BW, See SPL 23-AAA24350BK

Center-Opening Doors Parts



AAA24470X			
REF. No.	PART No.	DESCRIPTION	REMARKS
1	AAA25580BH1	Assembly, Stop Switch	
2	---	Assembly, Coupler Type AAA24390J, See SPL 24-AAA24390J	
	---	Assembly, Coupler Type AAA24390L, See SPL 24-AAA24390L	
3	---	Assembly, Hangers and Track, See SPL 19-AAA24600A	
4	AAA283AYX3	Bracket, Hitch	S/O and C/O
	AAA283AYX2		2/S
5	AAA141AV1	Rivet, Drive	
6	288RH38	Roller, Gate-Switch	C/O
	288RH28		S/S
	288RH30		2/S
7	109P2	Screw, Thread Forming, 1/4 -20 x 5/8"	