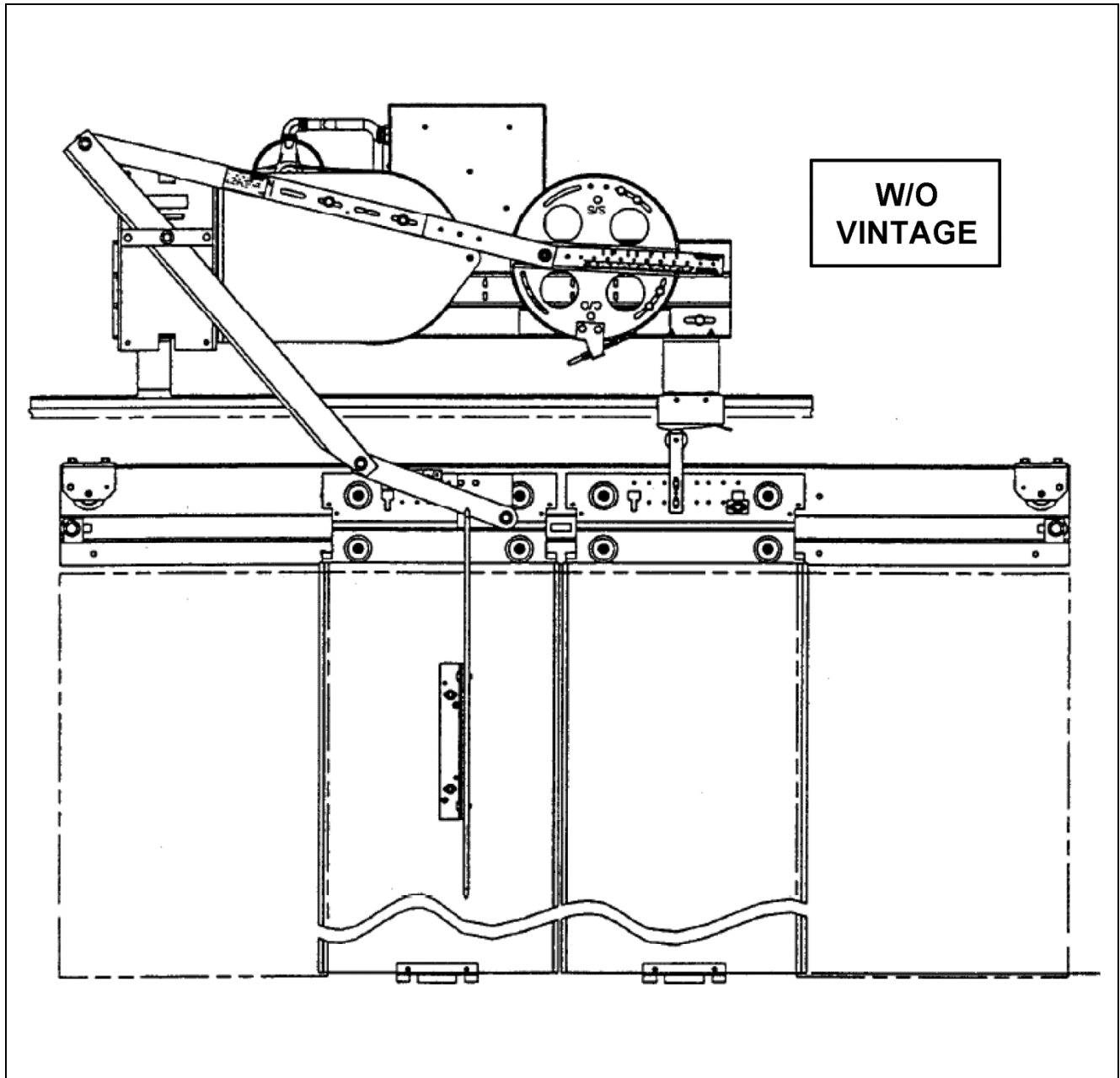


i-MOTION® II Door
Operator Linkage
Assemblies

Spare Parts Leaflet

23-AAA24470Y

November 20, 2019 / Page 1 of 6



OTIS

This document does not contain any
technical data subject to EAR or ITAR

SERVICE ENGINEERING

Otis Elevator Company

Bloomfield, Connecticut USA

Unpublished Work—© Otis Elevator Co.; 2019

Leaflet Description

This leaflet provides spare parts information for i-MOTION II door operator linkage assemblies for center-opening, single-slide, and two-speed doors for Gen2 and Hydro elevators.

Leaflet Revisions

Date Revised	Subject Matter Expert	Reason for Revision
January 8, 2014	Brian Regan	New SPL
January 14, 2015	Brian Regan	Corrected p/n typo in ref. 6 on p. 5
February 28, 2018	Brian Regan	Corrected p/n typo in ref. 1 on p. 5
November 20, 2019	Peter Kelley	Revised history page

Related Drawings

Drawing No.	Title	Drawing No.	Title
AAA24470Y	i-MOTION II Assembly	ABA24350BH	Door Operator, i-MOTION II

Related Documents

Document ID	Title
SPL 23-AAA24470M	i-MOTION II Door Operator Linkage Assemblies
SPL 23-AAA24350BH	Harmonic Drive i-MOTION II Door Operator Engine Unit

Subject Matter Expert

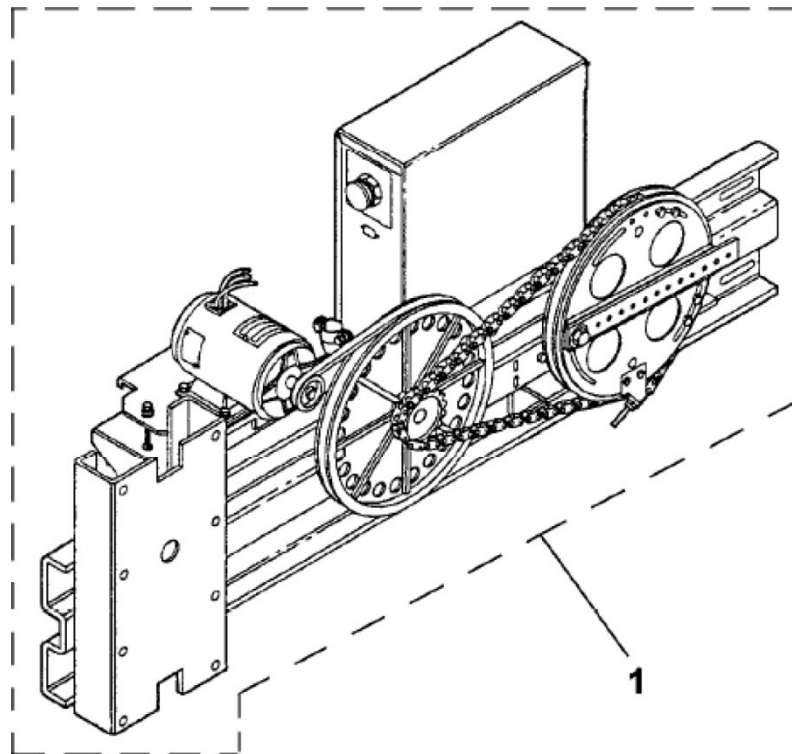
Name	Department
Peter Kelley	OSC Service Engineering








About Spare Parts Leaflets...


This document lists the lowest replaceable units (LRUs) for the standard version of the product. The LRUs are chosen by a team of Otis associates representing engineering and manufacturing.

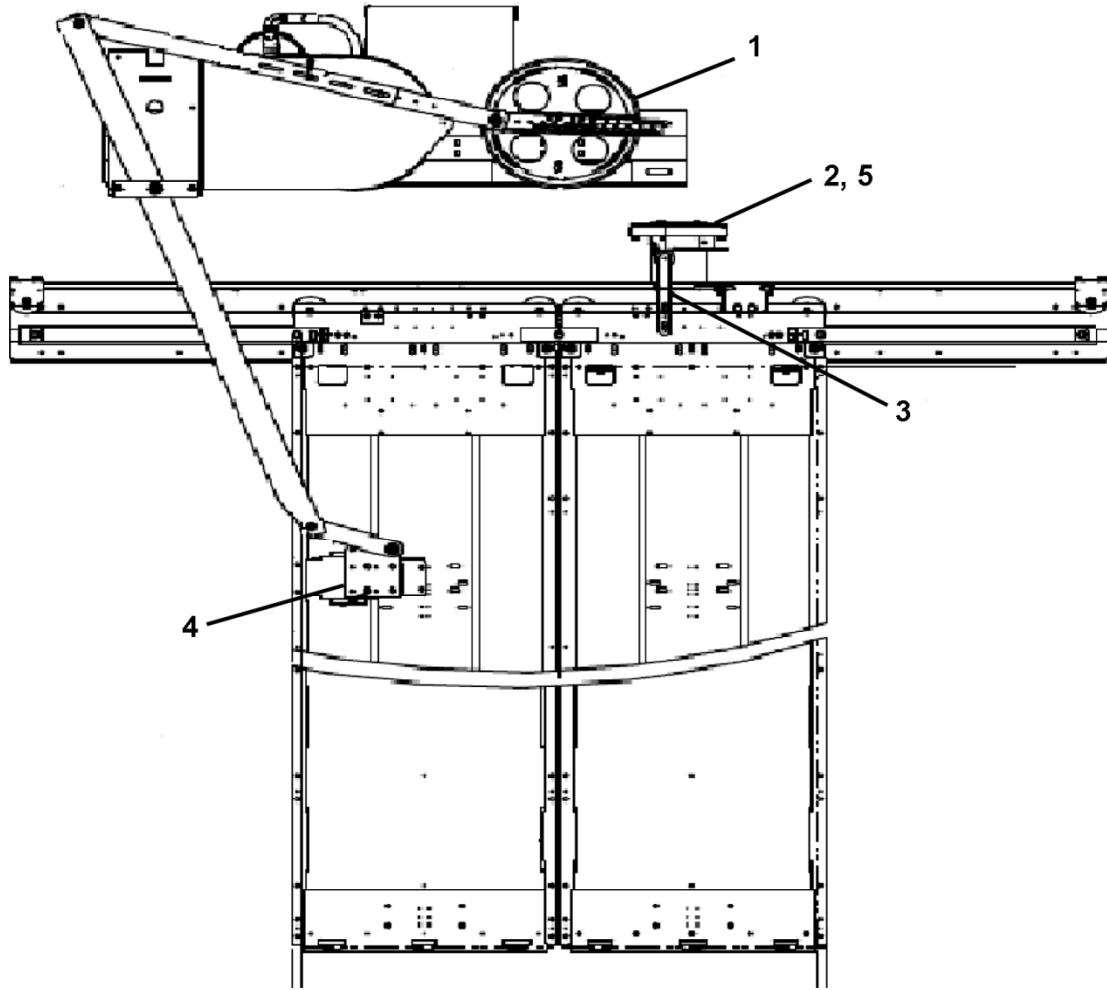
While goal of this document is to make parts identification as easy as possible, the document cannot be all-inclusive. Elevator and escalator contracts classified as “special” or “custom” are not addressed here. For such contracts, please refer to specified information, the contract folder, TIPS, Field Education Articles, Construction Letters, etc. for further information.

If you have any suggestions about this document, please contact the subject matter expert listed on this page.




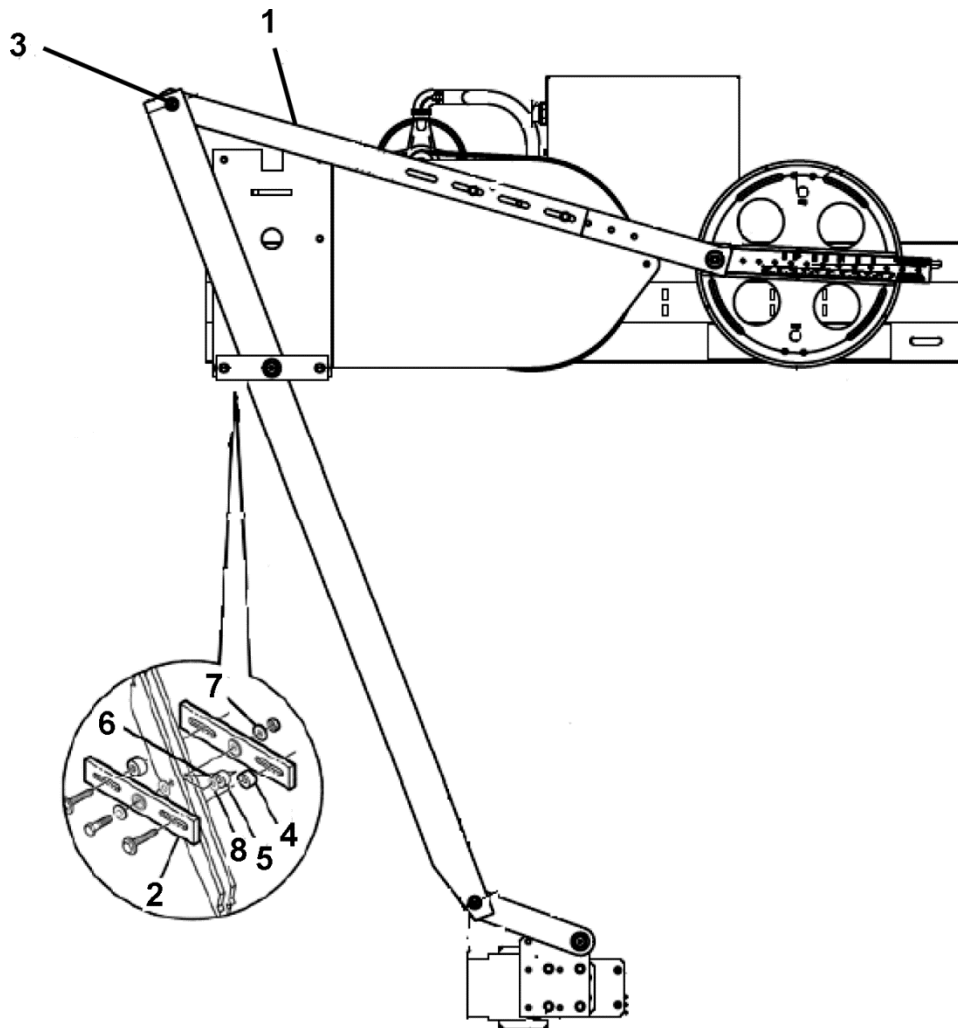
REF. No.	PART No.	DESCRIPTION	WIRING
	AAA24470Y		
1	ABA24350BH1	Assembly, Operator Engine  , for 36–42 in. S/S, and 48–54 in. 2/S Doors	Discrete
	ABA24350BH2	Assembly, Operator Engine  , for 42–48 in. C/O Doors	
	ABA24350BH3	Assembly, Operator Engine  , for 32–42 in. S/S, and 48–54 in. 2/S Doors	
	ABA24350BH9	Assembly, Operator Engine  , for 36–42 in. S/S and 48–54 in. 2/S Doors	MultiDrop w/ Loadweighing (Gen2 Extended Duty)
	ABA24350BH10	Assembly, Operator Engine  , for 42–48 in. C/O Doors	
	ABA24350BH11	Assembly, Operator Engine  , for 36–42 in. S/S, and 48–54 in. 2/S Doors	
	ABA24350BH12	Assembly, Operator Engine  , for 42–48 in. C/O Doors	

NOTE: For detailed information on component parts of the engine assembly,  SPL 23-AAA24350BH.

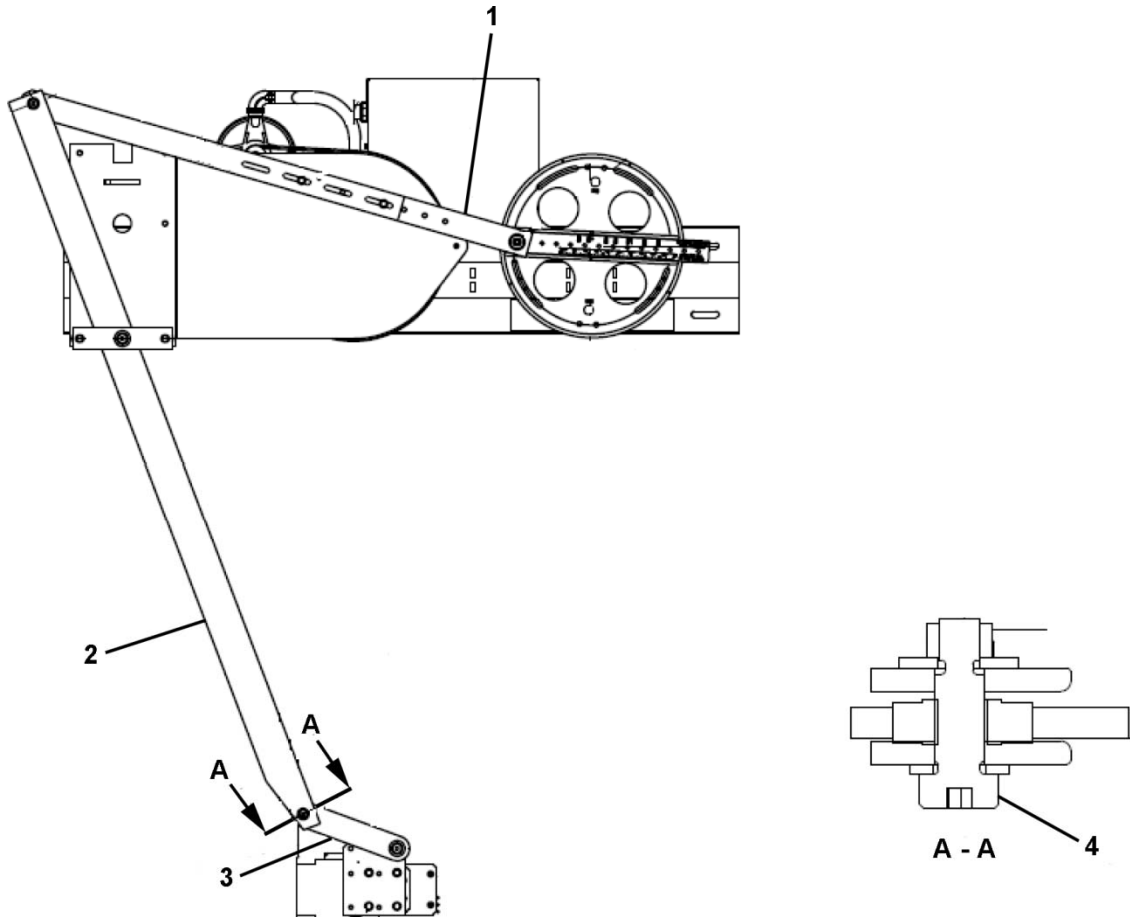


Center-Opening Shown

REF. No.	PART No.	DESCRIPTION
	AAA24470Y	
1	---	Assembly, Engine,  p. 3
2	AAA316GLW2	Bracket, Gate Switch, C/O and S/S
	AAA316GLW4	Bracket, Gate Switch, 2/S
3	AAA288ADZ2	Roller, Gate Switch
4	AAA255PF1	Shim
5	AAA25590X1	Switch, Gate



REF. No.	PART No.	DESCRIPTION
1	288TL8	Arm, Transmission
2	AAA299ANY4	Bar, Drive Motor Mounting
3	AAA124HG1	Screw, Socket HD Shoulder Screw
4	462HA144	Spacer, 0.42 in. Thick
5	462HA145	Spacer, 0.34 in. Thick
6	ISO7089M10-140HV-Z	Washer, M10 Standard
7	ISO7089M8-140HV-Z	Washer, M8 Standard
8	128AF18	Washer (Shim)



REF. No.	PART No.	DESCRIPTION
	AAA24470Y	
1	395G12	Arm, Transmission
2	AAA288ACE8	Lever, S/S and 2/S
	AAA288ACE9	Lever, C/O
3	AAA430GD1	Link, S/S and 2/S
	AAA430GD2	Link, C/O
4	AAA124HG1	Screw, Socket HD Shoulder