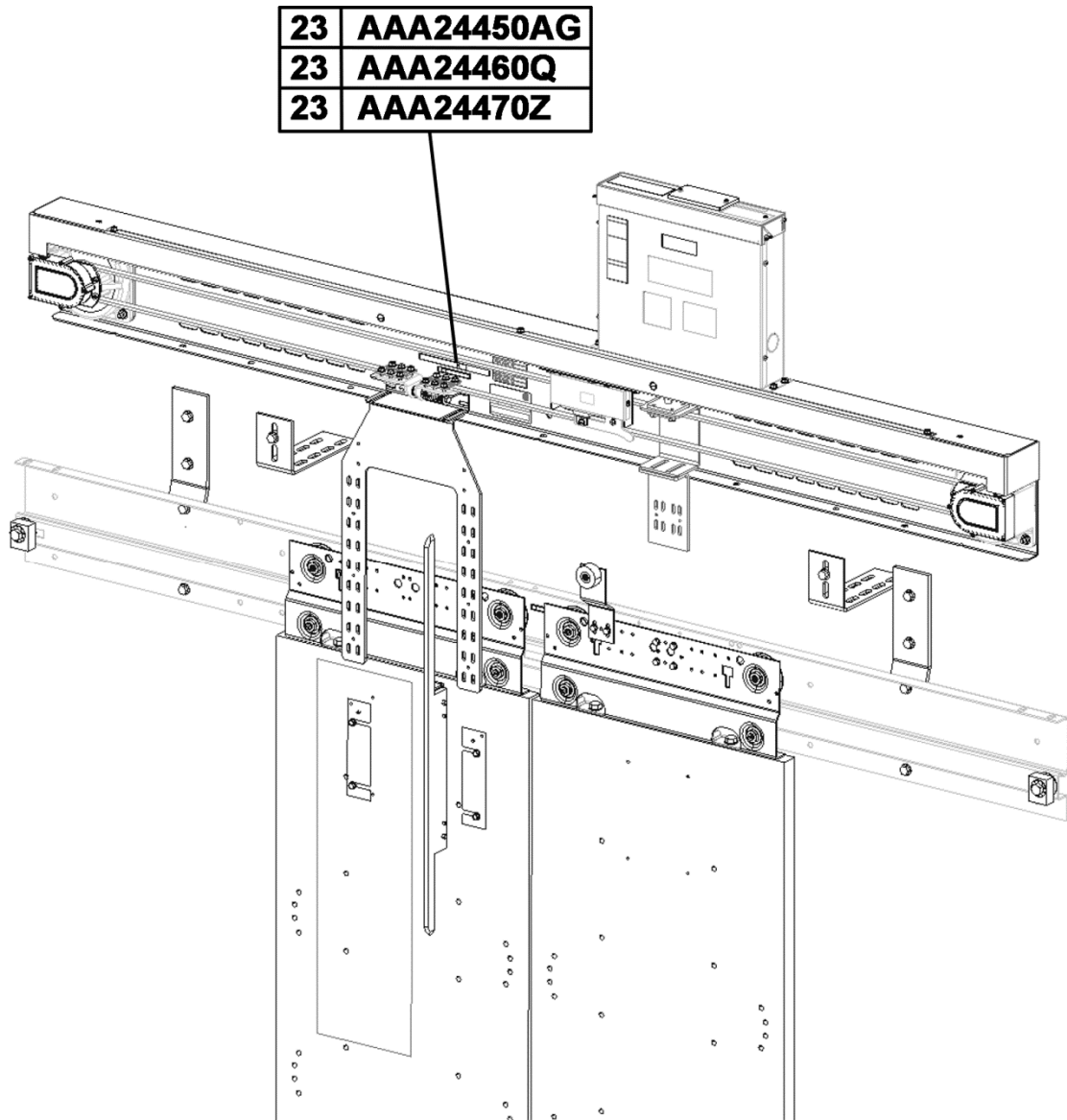


OTIS GLIDE® P Door Operator
C/O, S/S, and 2/S

Spare Parts Leaflet

23-AAA24470Z

November 20, 2019 / Page 1 of 7



OTIS

This document does not contain any
technical data subject to EAR or ITAR

SERVICE ENGINEERING
Otis Elevator Company
Bloomfield, Connecticut USA

Unpublished Work—© Otis Elevator Co.; 2019

Leaflet Description

This leaflet lists the lowest replaceable units for the OTIS GLIDE® P door system for Mod and Open Order. The arrangements covered include right hand and left hand single-slide, two-speed and center-opening doors. The operator referenced within is different from the New Equipment OTIS GLIDE® P, which can be identified by the integrated header, track, hanger, and coupler equipment within the operator.

Leaflet Revisions

Date Revised	Subject Matter Expert	Reason for Revision
November 4, 2014	Brian Regan	New SPL
November 20, 2019	Peter Kelley	Revised history page

Related Drawings

Drawing No.	Title	Drawing No.	Title
AAA24450AG	Door Operator Assembly	AAA24470Z	Door Operator Assembly
AAA24460Q	Door Operator Assembly	AAA24360T	Door Operator, Engine Unit
AAA24430AC	Mechanical Interface Assembly, Retrofit Kit for Glide P	AAA24430AD	Electrical Interface Assembly, Retrofit Kit for Glide P

Related Documents

Document ID	Title
SPL 10-KAA24360AAL	Door Controller, NGPOK System
SPL 23-AAA24360T	Door Operator, OTIS GLIDE® P for Mod and Open Order Engine Unit
TIP 22.17.2-7	Otis Glide® P for Mod: Mechanical Installation Guide

Subject Matter Expert

Name	Department
Peter Kelley	OSC Service Engineering

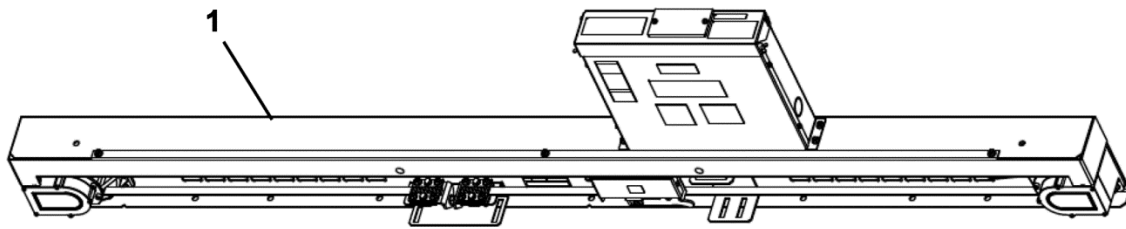
About Spare Parts Leaflets...

This document lists the lowest replaceable units (LRUs) for the standard version of the product. The LRUs are chosen by a team of Otis associates representing engineering and manufacturing.

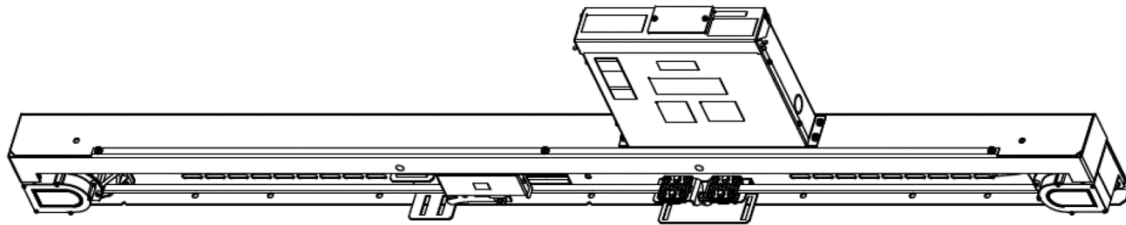
While goal of this document is to make parts identification as easy as possible, the document cannot be all-inclusive. Elevator and escalator contracts classified as "special" or "custom" are not addressed here. For such contracts, please refer to specified information, the contract folder, TIPs, Field Education Articles, Construction Letters, etc. for further information.

If you have any suggestions about this document, please contact the subject matter expert listed on this page.

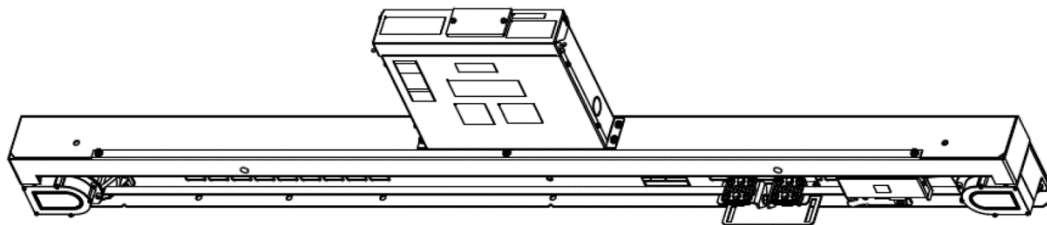
Open Order Operator Engine Unit



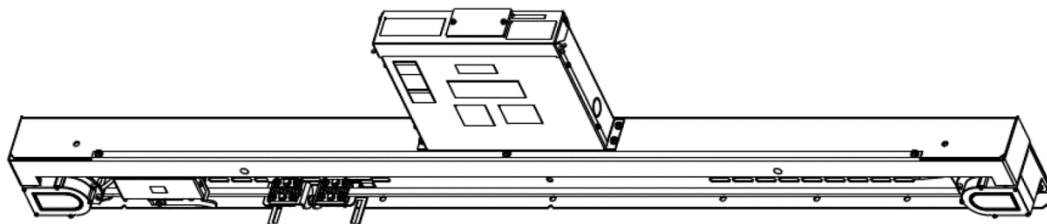
RH Center-Opening



LH Center-Opening



RH Single-Slide and Two-Speed

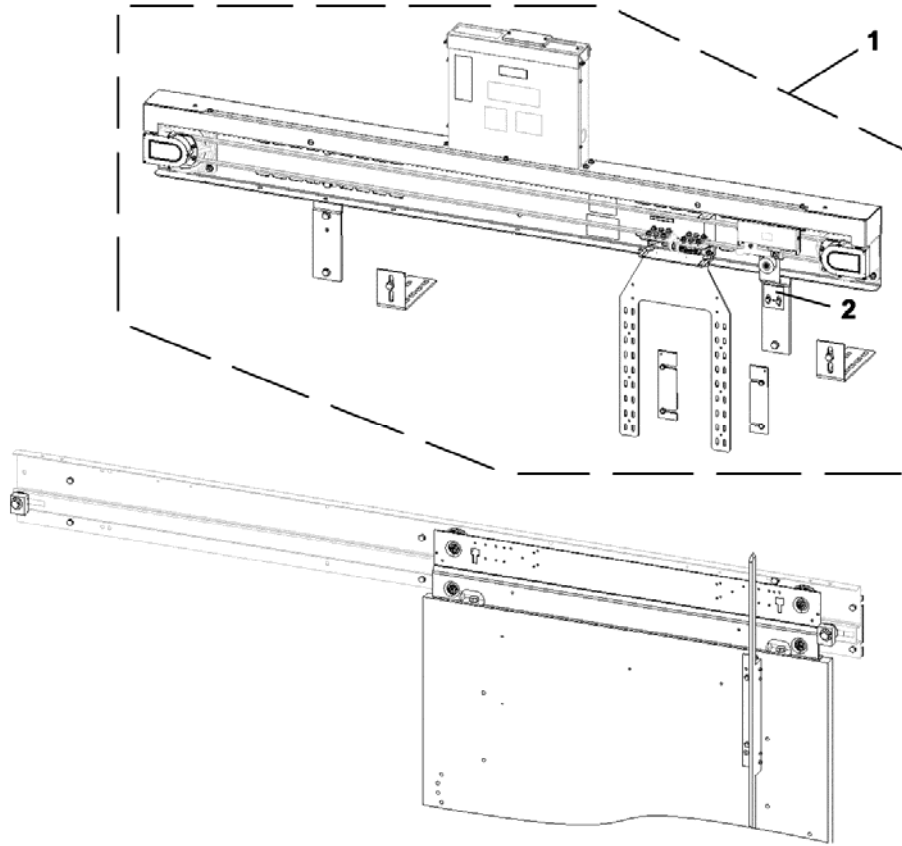


LH Single-Slide and Two-Speed

AAA24450AG
AAA24460Q
AAA24470Z

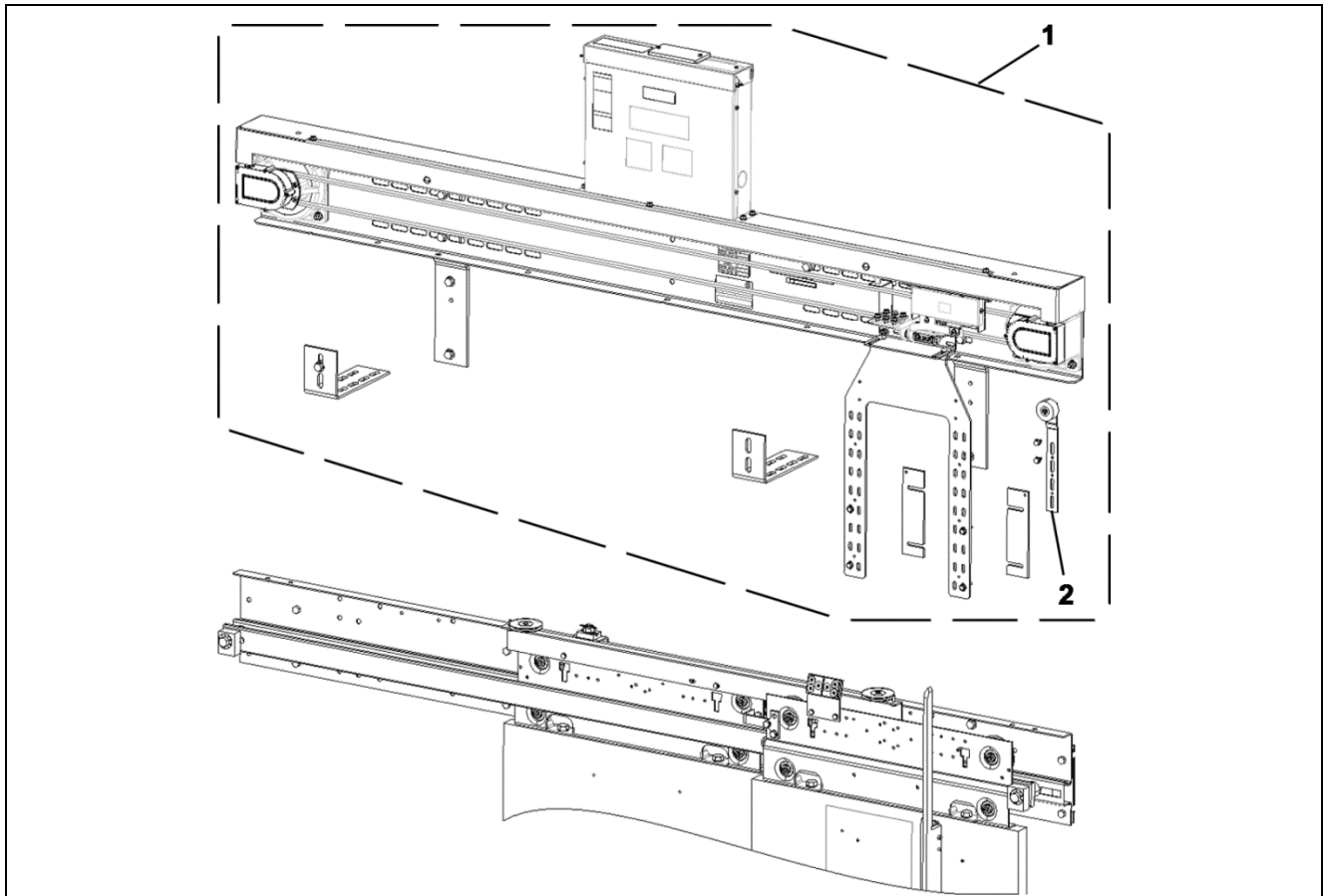
REF. No.	PART No.	DESCRIPTION
1	---	OTIS GLIDE® P for Door Operator Engine Unit, 👁 SPL 23-AAA24360T

Single-Slide Door Operator and Gate Switch Roller



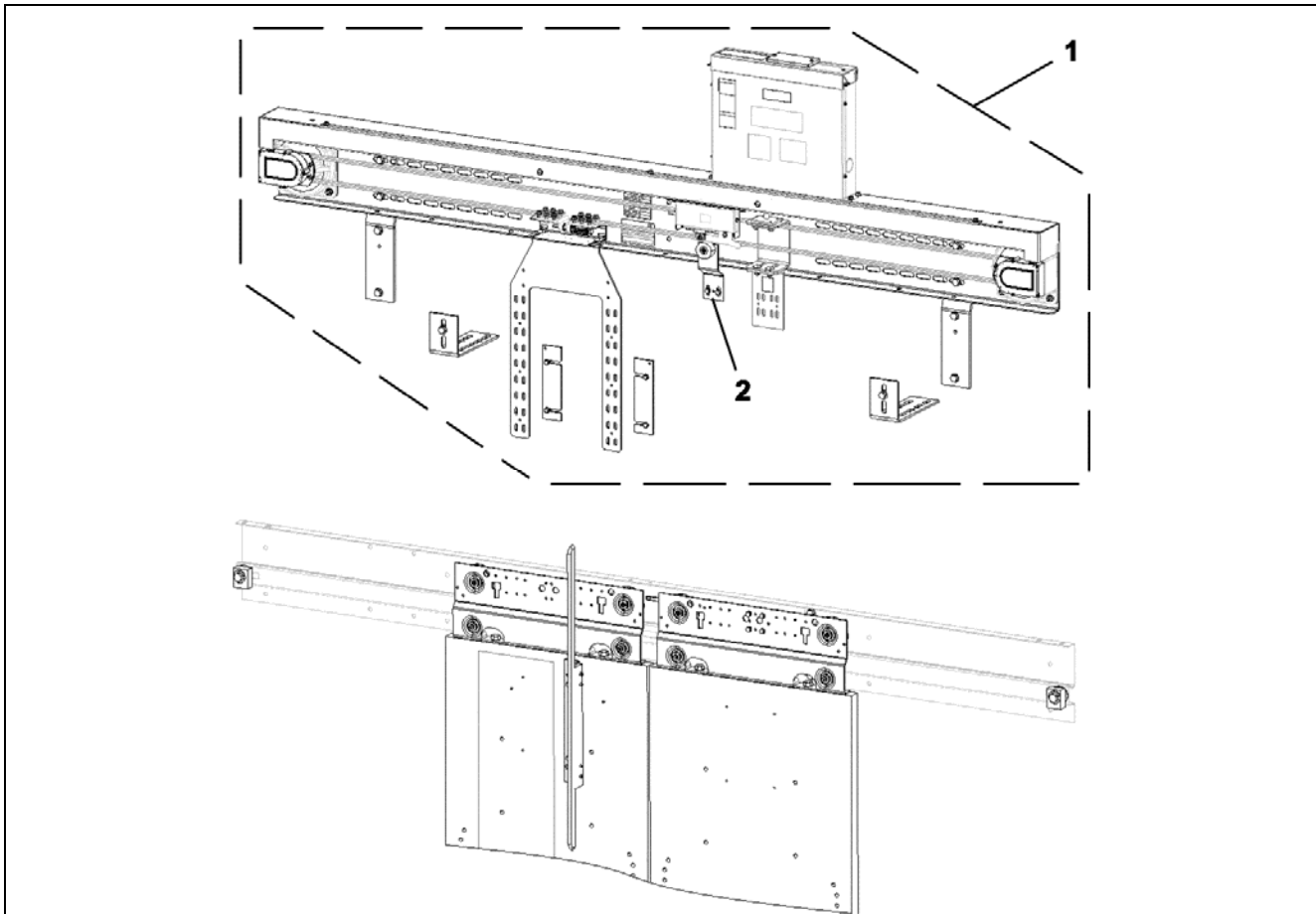
REF. No.	PART No.	OPENING WIDTH (in./mm)	HAND	DESCRIPTION
	AAA24450AG			
1	AAA24450AG1	32 in. (813 mm)	RH (Shown)	Assembly, OTIS GLIDE™ P for Single-Slide Door Operator
	AAA24450AG2	36 in. (914 mm)		
	AAA24450AG3	42 in. (1067 mm)		
	AAA24450AG4	31.5 in. (800 mm)		
	AAA24450AG5	35.5 in. (900 mm)		
	AAA24450AG6	39.4 in. (1000 mm)		
	AAA24450AG7	32 in. (813 mm)	LH (Opposite)	
	AAA24450AG8	36 in. (914 mm)		
	AAA24450AG9	42 in. (1067 mm)		
	AAA24450AG10	31.5 in. (800 mm)		
	AAA24450AG11	35.5 in. (900 mm)		
	AAA24450AG12	39.4 in. (1000 mm)		
2	288RH32	Lever, Gate Switch Roller with Offset Bracket, width = 1 in. (25.4 mm)		
	288RH46	Lever, Gate Switch Roller with Offset Bracket, width = 2.12 in. (58.8 mm) (shown)		

Two-Speed Door Operator and Gate Switch Roller



REF. No.	PART No.	OPENING WIDTH (in./mm)	HAND	DESCRIPTION
	AAA24460Q			
1	AAA24460Q1	42 in. (1067 mm)	RH (Shown)	Assembly, OTIS GLIDE™ P for Two- Speed Door Operator
	AAA24460Q2	44 in. (1118 mm)		
	AAA24460Q3	46 in. (1168 mm)		
	AAA24460Q4	48 in. (1219 mm)		
	AAA24460Q5	54 in. (1372 mm)		
	AAA24460Q6	60 in. (1524 mm)		
	AAA24460Q7	42 in. (1067 mm)	LH (Opposite)	
	AAA24460Q8	44 in. (1118 mm)		
	AAA24460Q9	46 in. (1168 mm)		
	AAA24460Q10	48 in. (1219 mm)		
	AAA24460Q11	54 in. (1372 mm)		
	AAA24460Q12	60 in. (1524 mm)		
2	288RH32	Lever, Gate Switch Roller with Offset Bracket, width = 1 in. (25.4 mm) (shown)		
	288RH46	Lever, Gate Switch Roller with Offset Bracket, width = 2.12 in. (58.8 mm)		

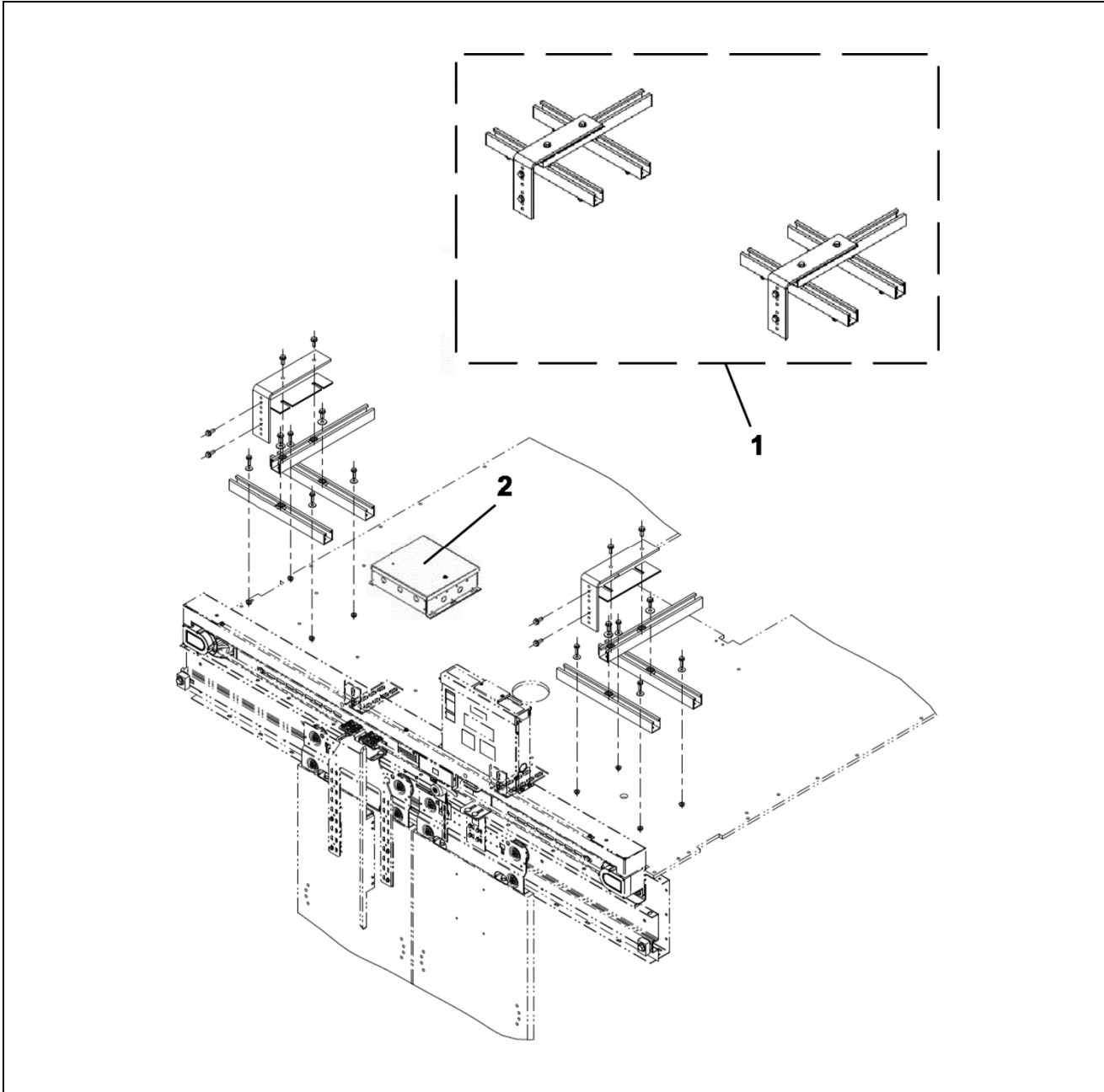
Center-Opening Door Operator and Gate Switch Roller



REF. No.	PART No.	OPENING WIDTH (in./mm)	HAND	DESCRIPTION
	AAA24470Z			
1	AAA24470Z1	36 in. (914 mm)	RH (shown)	Assembly, OTIS GLIDE™ P for OSC Center Opening Door Operator
	AAA24470Z2	42 in. (1067 mm)		
	AAA24470Z3	44 in. (1118 mm)		
	AAA24470Z4	48 in. (1219 mm)		
	AAA24470Z5	54 in. (1372 mm)		
	AAA24470Z6	60 in. (1524 mm)		
	AAA24470Z7	36 in. (914 mm)	LH (Opposite)	
	AAA24470Z8	42 in. (1067 mm)		
	AAA24470Z9	44 in. (1118 mm)		
	AAA24470Z10	48 in. (1219 mm)		
	AAA24470Z11	54 in. (1372 mm)		
	AAA24470Z12	60 in. (1524 mm)		
2	288RH32	Lever, Gate Switch Roller with Offset Bracket, width = 1 in. (25.4 mm)		
	288RH46	Lever, Gate Switch Roller with Offset Bracket, width = 2.12 in. (58.8 mm) (shown)		

OTIS GLIDE® P for Universal Interface Kits

23-AAA24470Z



W/O VINTAGE		
REF. No.	PART No.	DESCRIPTION
1	AAA24430AC2	Assembly, Retrofit Kit for Otis GLIDE P for OSC Door Operator (top-of-car strut mounting equipment) TIP 22.17.2-7
2	---	Assembly, Electrical Interface, Retrofit Kit for Otis GLIDE P, SPL 23-AAA24430AD