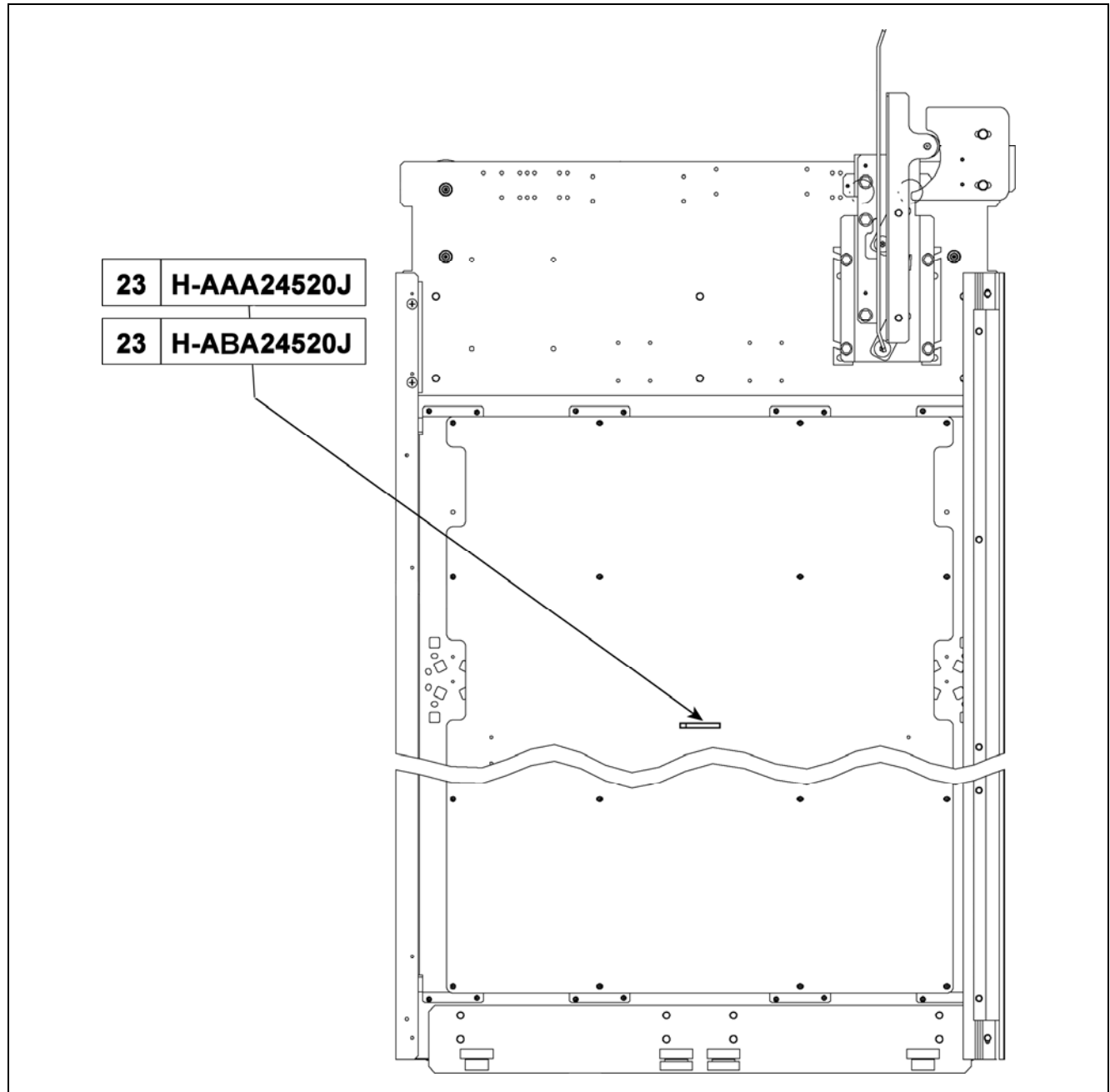


Car Door Equipment,  
NG Door System, Otis  
Pan Doors

Spare Parts Leaflet

23-AAA24520J

November 20, 2019 / Page 1 of 6



**OTIS**

This document does not contain any  
technical data subject to EAR or ITAR

SERVICE ENGINEERING

Otis Elevator Company

Bloomfield, Connecticut USA

Unpublished Work—© Otis Elevator Co.; 2019

## Leaflet Description

This leaflet details the lowest replaceable units (LRUs) for the Otis pan door equipment used on NG door system. For vendor doors used with NG door system, see SPL 19-AAA24600A.

## Leaflet Revisions

Date Revised	Subject Matter Expert	Reason for Revision
September 24, 2008	Brian Regan	New SPL
March 4, 2009	Troy Chicoine	Correct SPL I.D. from 19- to 24-AAA24390J.
September 5, 2012	Brian Regan	Added vintage ABA information
November 20, 2019	Peter Kelley	Revised history page

## Related Drawings

Drawing No.	Title	Drawing No.	Title
AAA24520J	Assembly and Arrangement, Car Door with Misc. Equipment	AAA24390J	Door Coupler, NG Door System
ABA24520J	Assembly and Arrangement, Car Door with Misc. Equipment	AAA24390L	Door Coupler, NG Door System

## Related Documents

Document ID	Title
SPL 23-AAA24470X	Door Operator AT400, S/S, C/O, 2/S, NG Door System
SPL 23-AAA24470M	I-MOTION II Door Operator Linkage Assemblies
SPL 24-AAA24390J	Door Coupler, NG Door System
SPL 19-AAA24600A	Car Door Misc. Equipment, NG Door System, Vendor Doors
SPL 19-AAA24520K	Auxiliary Door Stop: NG Door System
SPL 24-AAA24390L	Door Coupler, NG Door System

## Subject Matter Expert

Name	Department
Peter Kelley	OSC Service Engineering

## About Spare Parts Leaflets...

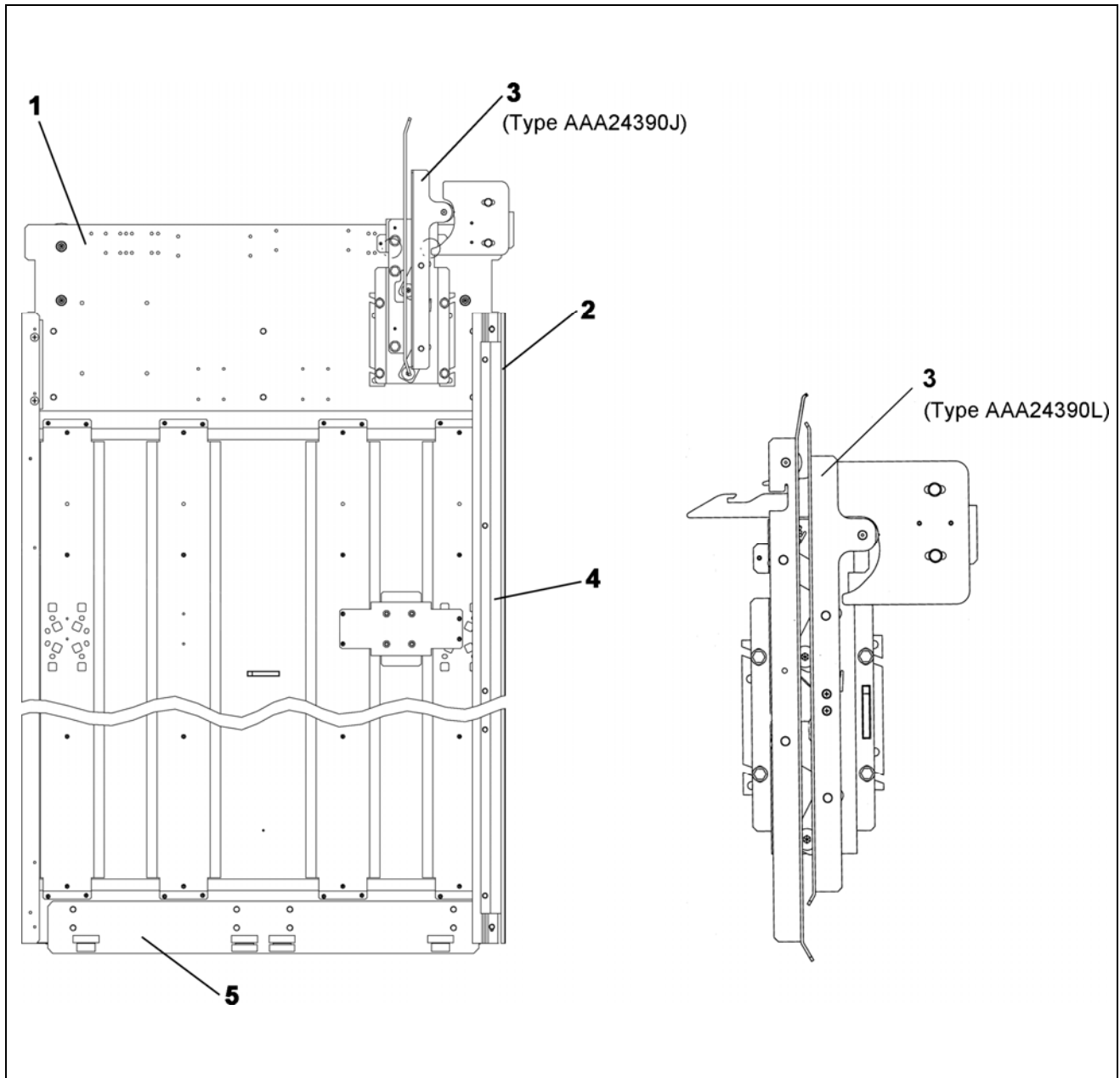
This document lists the lowest replaceable units (LRUs) for the standard version of the product. The LRUs are chosen by a team of Otis associates representing engineering and manufacturing.

While goal of this document is to make parts identification as easy as possible, the document cannot be all-inclusive. Elevator and escalator contracts classified as "special" or "custom" are not addressed here. For such contracts, please refer to specified information, the contract folder, TIPs, Field Education Articles, Construction Letters, etc. for further information.

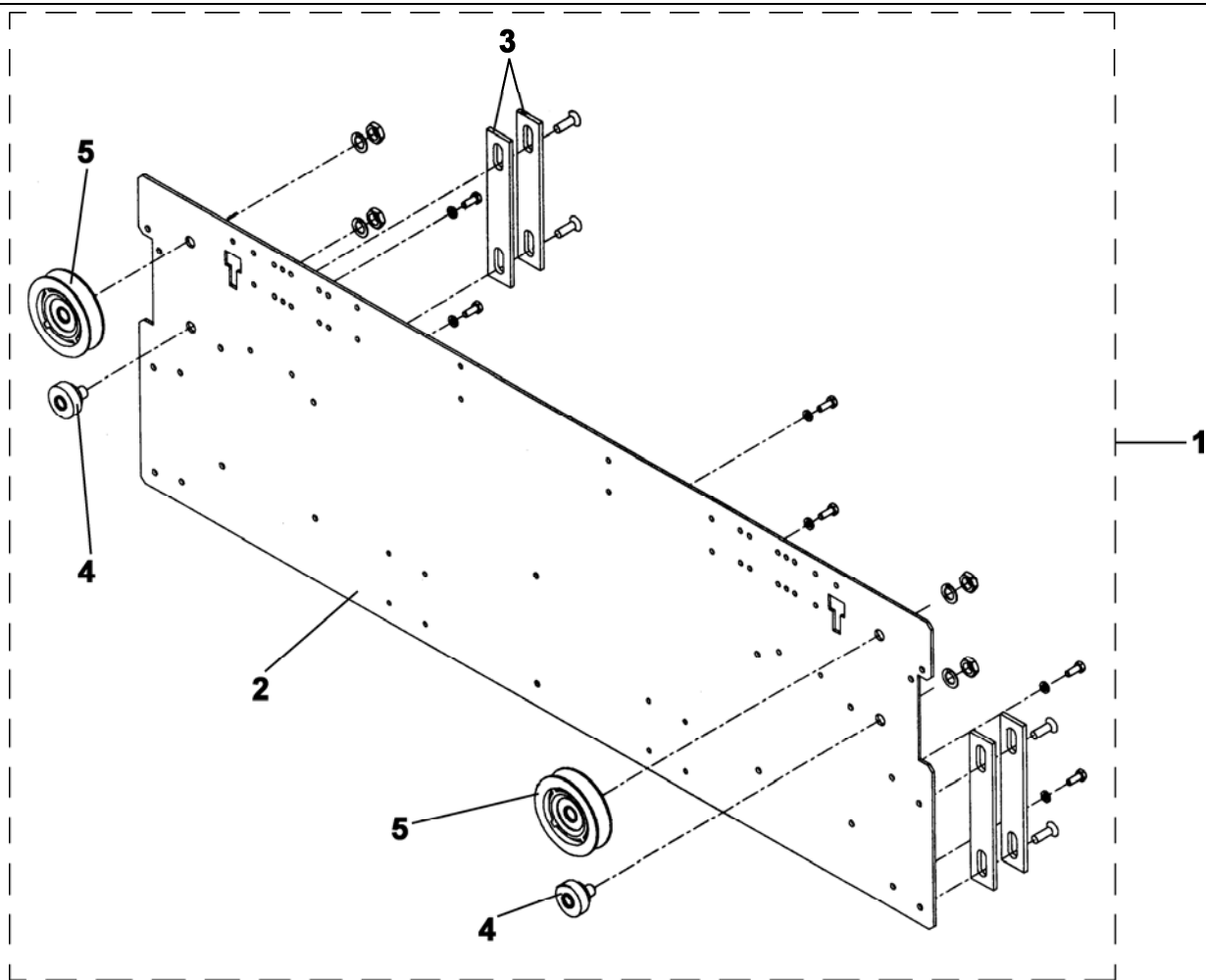
If you have any suggestions about this document, please contact the subject matter expert listed on this page.

# Otis Pan Door Assembly

23-AAA24520J

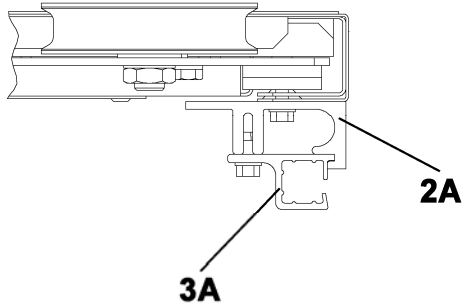


REF. No.	PAGE No.	DESCRIPTION	VINTAGE
1	4	Assembly, Hanger	AAA / ABA24520J
2	5	Astragal	
---	---	Auxiliary Door Stop (not shown), See SPL 19-AAA24520K	AAA24520J
3	---	Coupler, See SPL 24-AAA24390J	
	---	Coupler, See SPL 24-AAA24390L	
4	5	Detector and Mounting Bracket	AAA / ABA24520J
5	6	Door Guide	

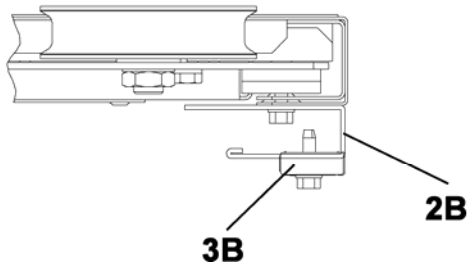


REF. No.	PART No.	DESCRIPTION	ENT WIDTH (in.)	ENT TYPE
	AAA24520J ABA24520J			
1	AAA24510J1	Assembly, Hanger, w/Square Profile Roller	36	S/S
	AAA24510J2		42	
	AAA24510J3		42	C/O
	AAA24510J4		48	
	AAA24510J5		48	2/S
	AAA24510J6		54	
2	AAA316HHH1	Hanger	36	S/S
	AAA316HHH2		42	
	AAA316HHH3		42	C/O
	AAA316HHH4		48	
	AAA316HHH5		48	2/S
	AAA316HHH6		54	
3	AAA299AQK1	Bar		
4	AAA456XZ2	Roller, Eccentric		
5	AAA456YA5	Roller, Hanger	---	---
	AAA456YA2			

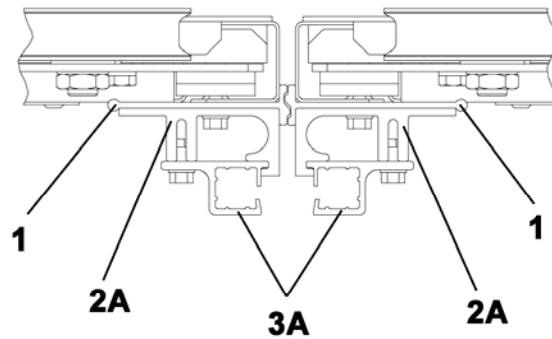
S/S (shown) and 2/S  
Lambda 3D Coupler Assembly



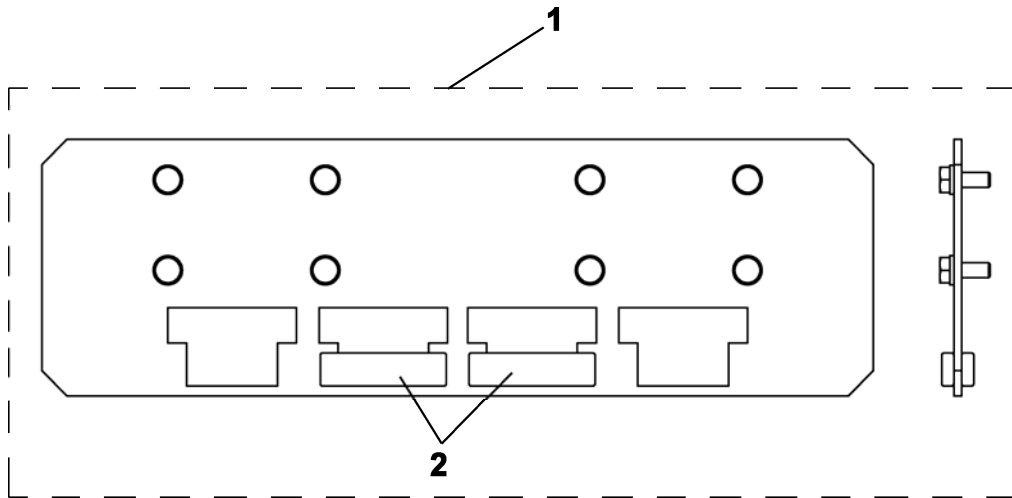
S/S (shown) and 2/S  
Lambda Coupler Assembly



C/O  
Lambda 3D Coupler Assembly



REF. No.	PART No.	DESCRIPTION	ENT HEIGHT (in.)	ENT TYPE	REMARKS
	AAA24520J ABA24520J				
1	AAA402ZX4	Astragal	84	C/O	Lambda or Lambda 3D
	AAA402ZX5		96		
2A	AAA326AJ1	Bracket,	84	ALL	Lambda 3D
	AAA326AJ2	Lambda Mount	96		
2B	AAA326AN1		84		Lambda
	AAA326AN2		96		
3A	ABA24591T1	Detector, Lambda 3D	≤96	---	---
	ABA24591T7		>96		
3B	ABA24591AC11	Detector,	≤96		
	ABA24591AC14	Lambda 2D	>96		



	AAA24520J ABA24520J			
REF. No.	PART No.	DESCRIPTION	ENT HEIGHT (in.)	ENT TYPE
1	AAA24179D1	Assembly, Bottom Door Guide	36	S/S
	AAA24179D2		42	
	AAA24179D3		42	C/O
	AAA24179D4		48	
	AAA24179D5		48	2/S
	AAA24179D6		54	
2	AAA251EG1	Insert, Door Guide		