

Harmonic Drive i-Motion® Operator

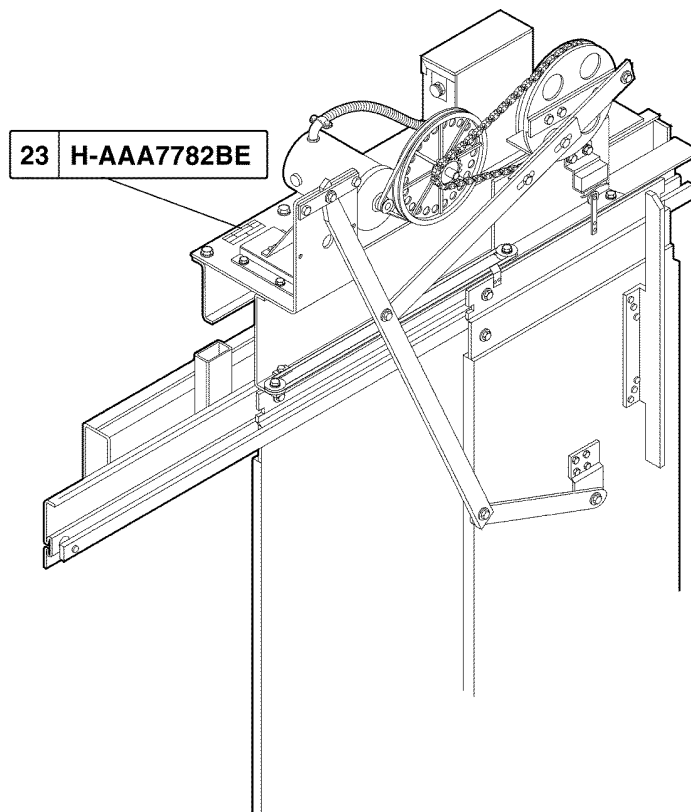
Spare Parts Leaflet

23-AAA7782BE

May 18, 2022 / Page 1 of 10

OBSOLESCENCE NOTICE

The product covered in this SPL has been designated as obsolete and is no longer supported. See TIP 32.2-1, *Obsolete Components*, for potential upgrade. Replacement lower level parts listed within and unique to this design are not being restocked when depleted. Some of these parts, depending on availability and other factors, may be quoted through Customer Service, but most will have extended lead times and increased cost due to low volume production.



OTIS

This document does not contain any technical data subject to EAR or ITAR

SERVICE ENGINEERING
Otis Elevator Company
Bloomfield, Connecticut USA

Unpublished Work—© Otis Elevator Co.; 2022

Leaflet Description

This leaflet provides spare parts information for the AAA7782BE Harmonic Drive i-Motion™ Door Operator. It covers LRUs for the engine unit only. Part numbers and LRUs for the complete operator and the linkage parts are found in SPL 23-AAA7782BJ.

Leaflet Revisions

Date Revised	Subject Matter Expert	Reason for Revision
July 13, 1999	Duane Stupienski	Spare part information, preliminary leaflet
November 1, 1999	Duane Stupienski	Update artwork.
August 1, 2001	Duane Stupienski	Add references to: cam kits, motor brush, bearing stand assembly.
November 9, 2011	Brian Regan	Added 477FK2, AAA27EF10, AAA635L12.
November 20, 2019	Peter Kelley	Revised history page
May 18, 2022	Pete Kelley	Updated document template and obsolescence info

Related Drawings

Drawing No.	Title	Drawing No.	Title
AAA7782BE	i-Motion™ Otis Harmonic Drive C/O, S/S, 2/S	AAA25580P	i-Motion™ Control Box Assembly
AAB7782BE	i-Motion™ Otis Harmonic Drive C/O, S/S, 2/S		

Related Documents

Document ID	Title
SPL 23-7782AA	Harmonic Drive QL Operator
SPL 23-AAA7782AT	Harmonic Drive QL Operator
SPL 23-AAA7782BJ	i-Motion™ Door Operator Linkage Arrangements
TIP 22.13-2	New i-Motion™ Limit Cam and Cover Installation

Subject Matter Expert

Name	Department
Peter Kelley	OSC Service Engineering

About Spare Parts Leaflets...

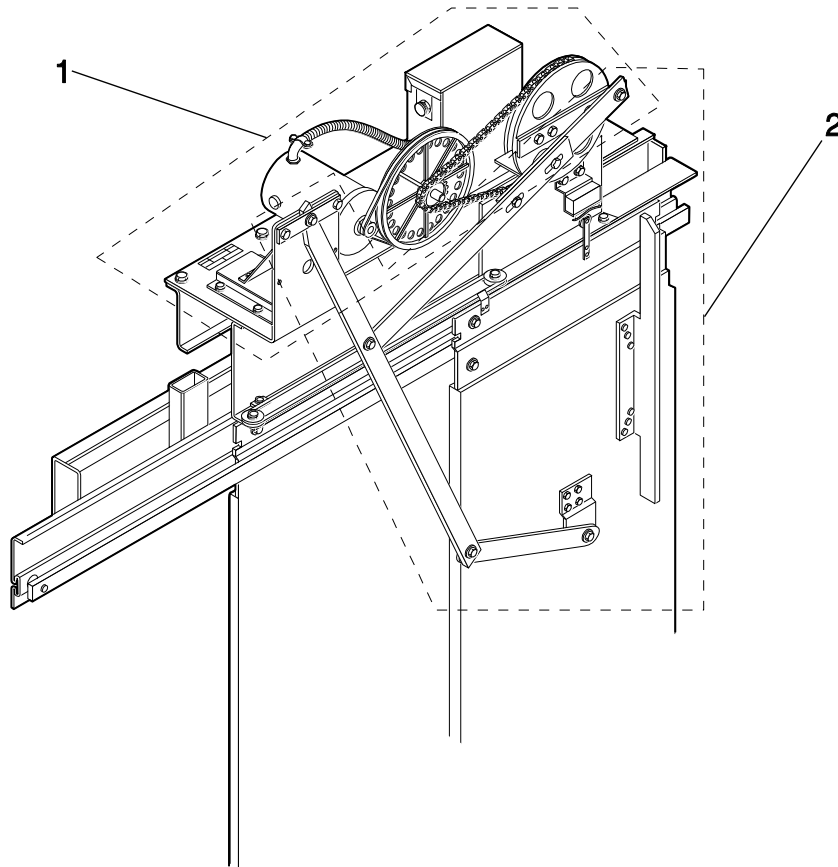
This document lists the lowest replaceable units (LRUs) for the standard version of the product. The LRUs are chosen by a team of Otis associates representing engineering and manufacturing.


While goal of this document is to make parts identification as easy as possible, the document cannot be all-inclusive. Elevator and escalator contracts classified as “special” or “custom” are not addressed here. For such contracts, please refer to specified information, the contract folder, TIPs, Field Education Articles, Construction Letters, etc. for further information.

If you have any suggestions about this document, please contact the subject matter expert listed on this page.

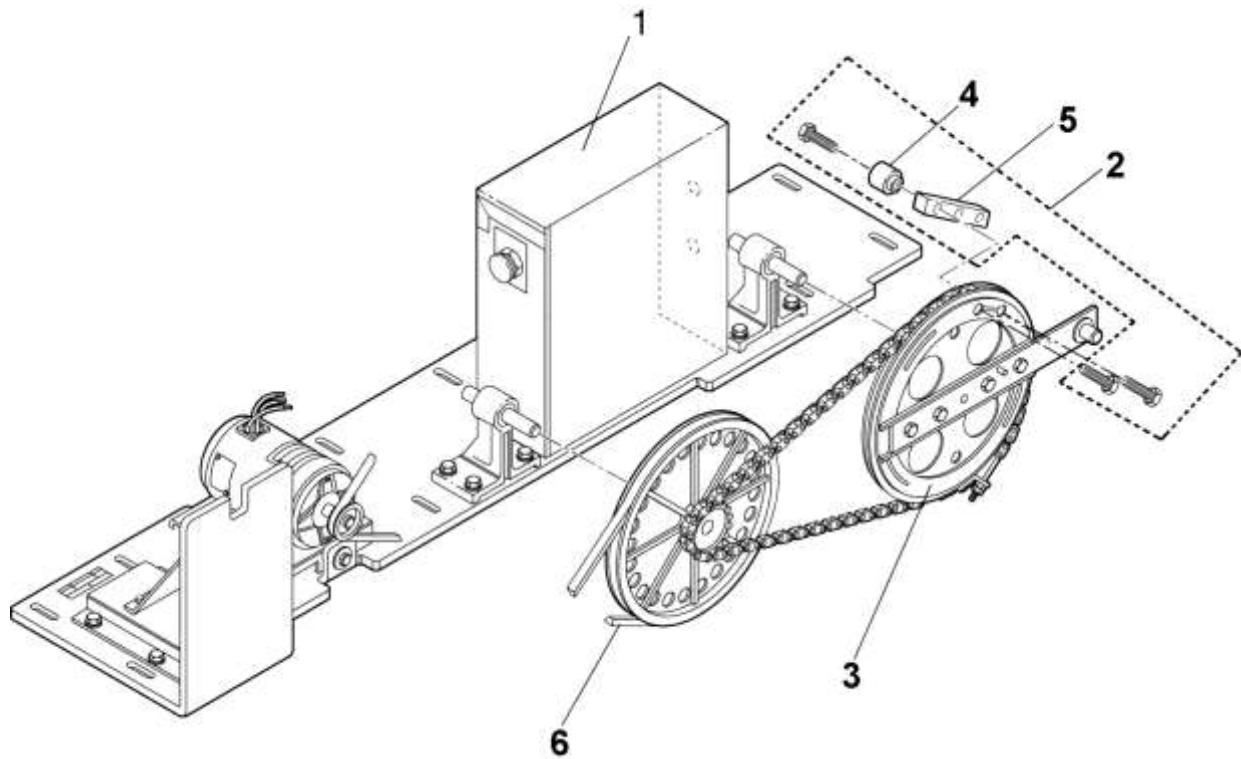
Door Operator Engine and Linkage Assemblies


23-AAA7782BE



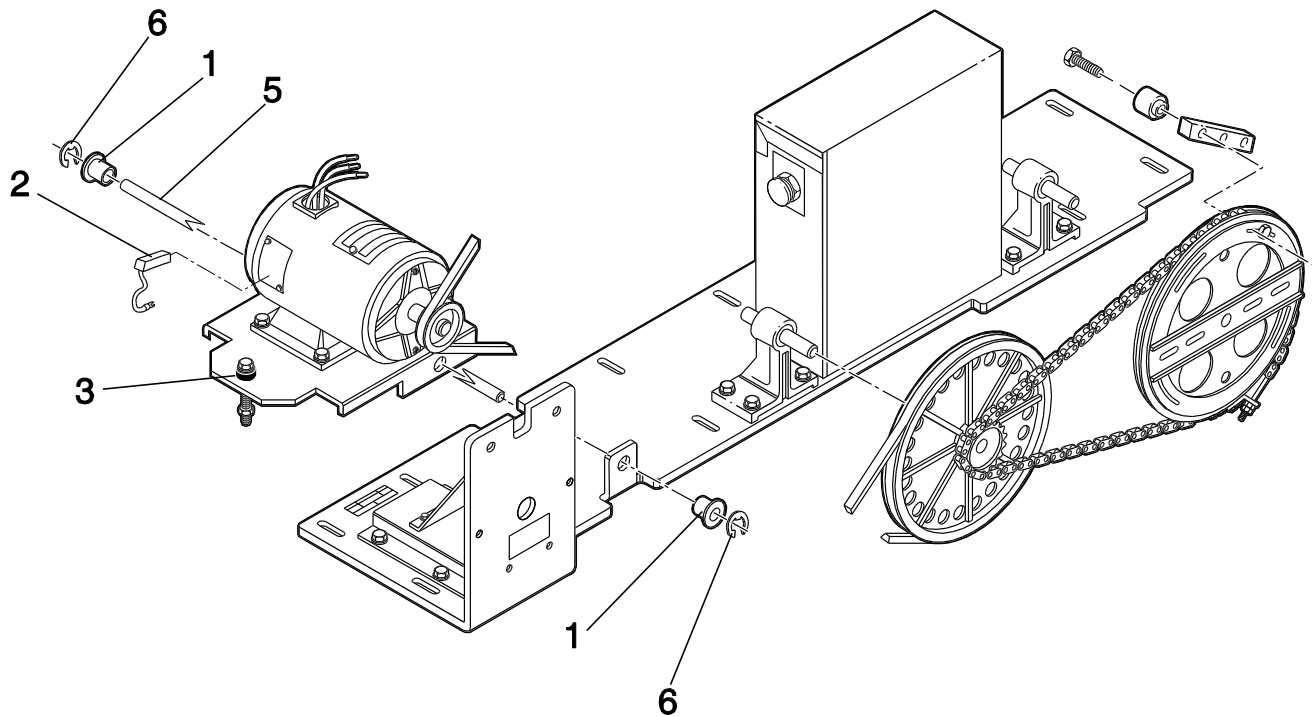
	VINTAGE		
REF. No.	PART No.	DESCRIPTION	
1	---	Assembly, Door Operator Engine, Type AAB7782BE, Center-Opening = 36 in.-60 in., Single-Slide = 32 in.-42 in., Two-Speed = 36 in.-55 in.	 SPL 23-AAA7782BJ
2	---	Components, Door Operator Linkage, for Type AAA7782BJ, Center-Opening Doors	
	---	Components, Door Operator Linkage, for Type AAA7782BK, Single-Slide Door	
	---	Components, Door Operator Linkage, for Type AAA7782BL, Two-Speed Doors	

Drive Pulley & Roller Stop



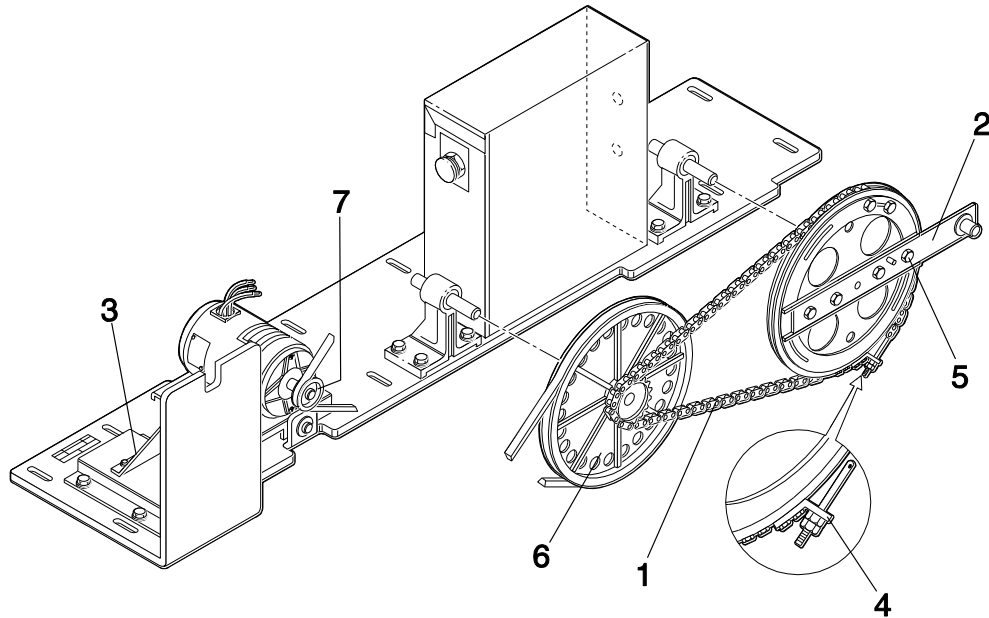
AAA7782BE		
REF. No.	PART No.	DESCRIPTION
1	---	Assembly, Control Box, Type AAA25580P,  pp. 8, 9, 10
2	477FK2	Assembly, Stop Roller and Bracket
3	B198AJ1	Pulley, Drive
4	456EY1	Stop, Roller
5	477FK1	Stop, Roller Mount
6	AAA717J1	V-Belt

Bearing, Motor & Retaining Ring



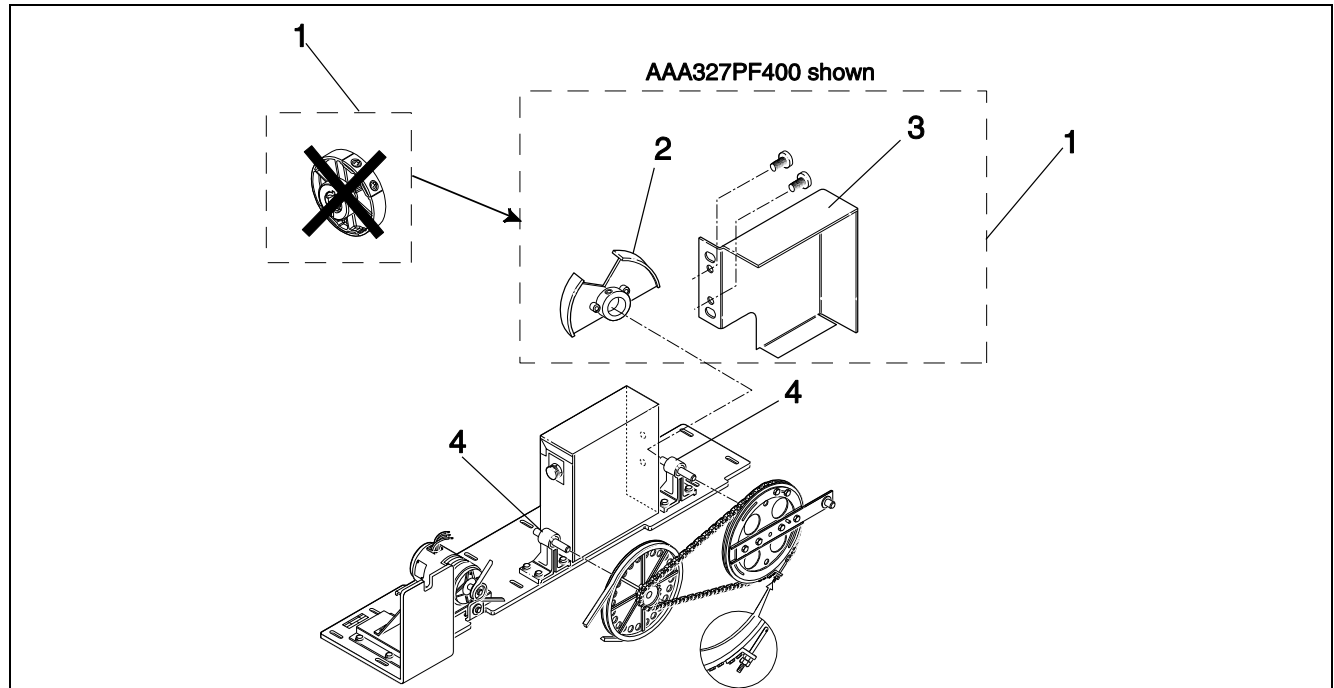
AAA7782BE		
REF. No.	PART No.	DESCRIPTION
1	212AB4	Bearing, Nylon Bushing (two places)
2	AAA240AM1	Brush, Carbon
3	321FD1	Bushing, Rubber (two places)
4	AAA6333EZ1	Motor, 115 VDC, 1/6 HP, 1140 RPM
5	81DY2	Pin, Hinge
6	172DR4	Ring, Retaining (two places)

Bracket, Lever Arm & Pulley



AAA7782BE		
REF. No.	PART No.	DESCRIPTION
1	AAA332BM1	Assembly, Chain
2	395E4	Assembly, Lever Arm
3	AAA315WY1	Brace, Pivot
4	AAA316GBE1	Bracket,
	AAA316GBE2	Bracket,
5	81AX59	Pin, Spring
6	AAA198AV1	Pulley, Intermediate
7	265BX1	Sheave, V-Belt

AAA7782BE Engine Components Bearing Stand, Cam & Cover Kit



AAA7782BE			
REF. No.	PART No.	DESCRIPTION	
1	AAA327NX2 ABA327NX2	Cam/Wheel, TIP 22.13-2*	 NOTE
	AAA327PF400	Kit, Cam & Cover, w/Mounting Sundries, and Center-Opening (RH & C/O), w/TIP 22.13-2*	
	AAA327PF401	Kit, Cam & Cover, w/Mounting Sundries, , w/TIP 22.13-2*	
2	AAA327PF2	Cam, Individual, TIP 22.13-2	
3	AAA285ST1	Cover, i-Motion™ Cam, and Center-Opening (RH & C/O), TIP 22.13-2*	
	AAA285ST2	Cover, i-Motion™ Cam, , TIP 22.13-2*	
4	471GB4	Stand, Bearing, w/Bearing for Both Intermediate & Drive Pulleys	

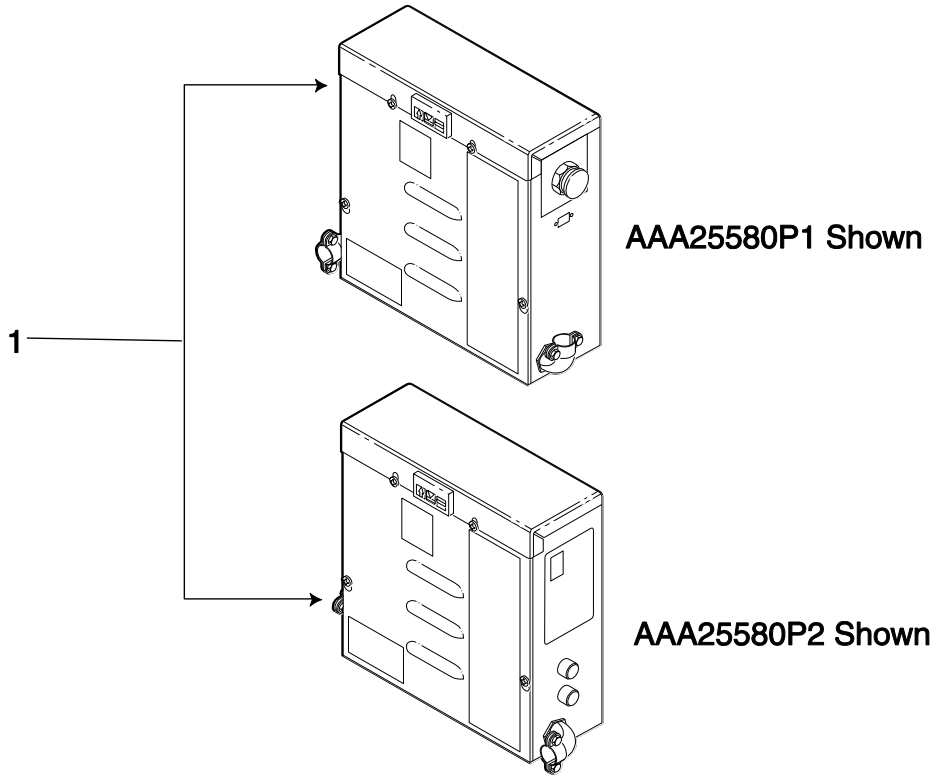
NOTE: Once cam kit has been installed, only individual cam (ref. 2) or individual cover (ref. 3) will need service replacing.

* TIP 22.13-2, *New i-Motion™ Limit Cam and Cover Installation.*

Type AAA25580P

23-AAA7782BE

Control Box Assembly

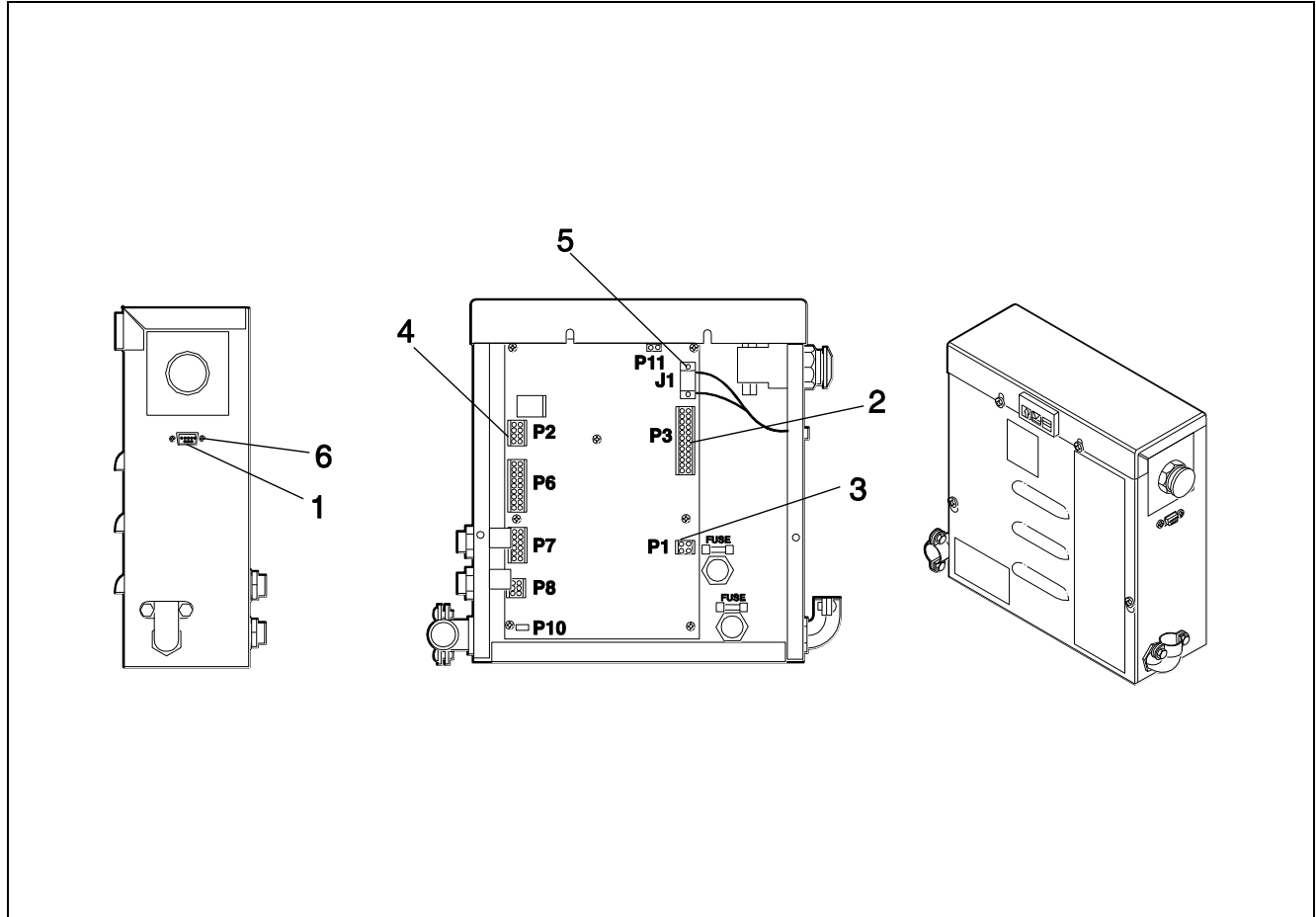




AAA7782BE			
REF. No.	PART No.	DESCRIPTION	APPLICATION
1	AAA25580P1	Assembly, i-Motion™ Control Box, Center-Opening, Single-Slide, & Two-Speed, w/o Door Control SubSystem	
	AAA25580P2	Assembly, i-Motion™ Control Box, Single-Slide & Two-Speed, w/o Door Control SubSystem	
	AAA25580P3	Assembly, i-Motion™ Control Box, Center-Opening, Single-Slide, & Two-Speed, w/ Door Control SubSystem	
	AAA25580P4	Assembly, i-Motion™ Control Box, Single-Slide & Two-Speed, w/ Door Control SubSystem	

AAA25580P Control Box

23-AAA7782BE

Components, Cable & Connector



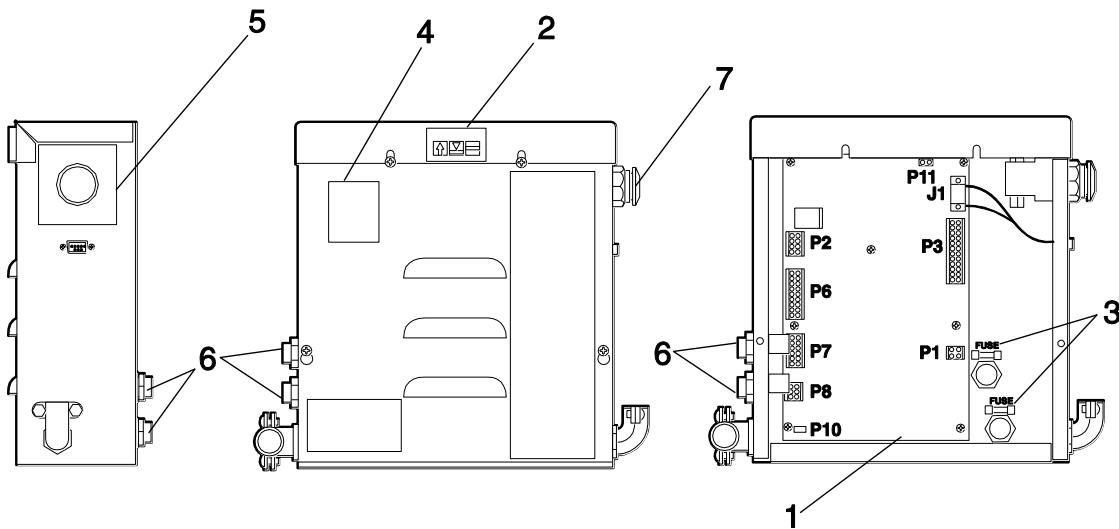
AAA7782BE		
REF. No.	PART No.	DESCRIPTION
*	174HT3	Cable, Electrical
1	AAA329BL1	Cap, Sub D Connectors
2	AAA447AP25	Connector, 12-Pole
3	AAA447AP16	Connector, 2-Pole
4	AAA447AP18	Connector, 4-Pole
5	AAA648A305	Connector, Rack/Panel, Male Screw Kit
6	AAA648A307	Connector, Rack/Panel, Female Screw Kit
---	AAA375BY11	Fuse, 3A,  NOTE
---	AAA447AP100 AAA27EF10	Tool, Wire Insertion,  NOTE

* For location only. Part not shown.

NOTE: The fuse and wire insertion tool are packaged separately and shipped with specific AAA25580P arrangements.

AAA25580P Control Box

Components, Label & Switch



AAA7782BE		
REF. No.	PART No.	DESCRIPTION
1	AAA26800XF1	Board, Door Operator Control, CLQL
2	AAA635R1	Keypad
3	AAA102AFQ1	Label, Lettering
4	AAA443DZ1	Lens, Window
5	AAA102AFE3	Plate, Data
6	AAA608D8	Switch, Proximity (four places)
7	AAA635L10 AAA635L12	Switch, Push Button