

i-Motion Door Operator Linkage Assemblies

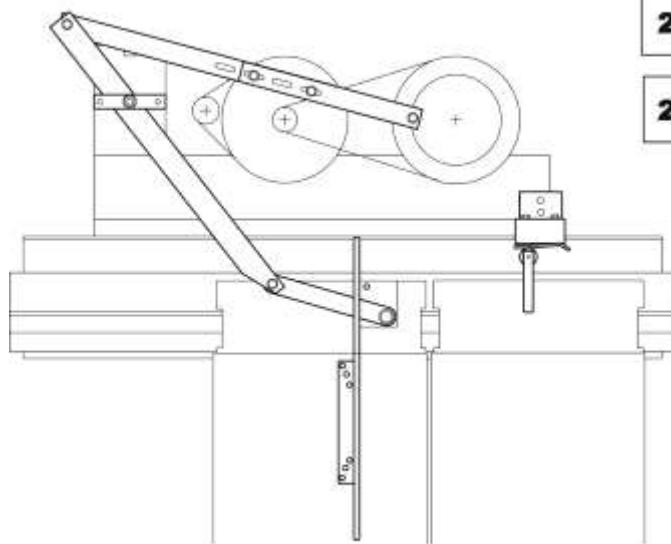
Spare Parts Leaflet

23-AAA7782BJ

May 18, 2022 / Page 1 of 10

OBSOLESCENCE NOTICE

The product covered in this SPL has been designated as obsolete and is no longer supported. See TIP 32.2-1, *Obsolete Components*, for potential upgrade. Replacement lower level parts listed within and unique to this design are not being restocked when depleted. Some of these parts, depending on availability and other factors, may be quoted through Customer Service, but most will have extended lead times and increased cost due to low volume production.



23	H-AAA7782BJ
-----------	--------------------

23	H-AAA7782BK
-----------	--------------------

23	H-AAA7782BL
-----------	--------------------

Center-Opening Doors Shown

OTIS

This document does not contain any technical data subject to EAR or ITAR

SERVICE ENGINEERING
Otis Elevator Company
Bloomfield, Connecticut USA

Unpublished Work—© Otis Elevator Co.; 2022

Leaflet Description

This leaflet provides spare parts information for AAA7782BJ/BK/BL i-Motion™ door operator linkage assemblies for center-opening, single-slide, and two-speed doors. This revision initiates LRU callout for transmission arm, type 395F as one-piece assembly.

Leaflet Revisions

Date Revised	Subject Matter Expert	Reason for Revision
October 1, 1999	Duane Stupienski	New Leaflet, Initial Release
August 1, 2001	Duane Stupienski	Update parts
May 18, 2022	Pete Kelley	Updated document template and obsolescence info

Related Drawings

Drawing No.	Title	Drawing No.	Title
AAA7782BJ	i-Motion™ and Linkage Assembly for C/O Doors 36"-60" Openings Arrangement	AAA7782BE	i-Motion™ Otis Harmonic Drive C/O, S/S, 2/S
AAA7782BK	i-Motion™ and Linkage Assembly for S/S Doors 32"-42" Openings Arrangement	AAB7782BE	i-Motion™ Otis Harmonic Drive C/O, S/S, 2/S
AAA7782BL	i-Motion™ and Linkage Assembly for 2/S Doors 36"-55" Openings Arrangement		

Related Documents

Document ID	Title
23-AAA7782BE	Harmonic Drive i-Motion™ Operator
23-7782AA	Harmonic Drive QL Operator
23-AAA7782AT	Harmonic Drive QL Operator
23-AAA24350BH	i-Motion™ II Operator Engine Unit
23-AA24470M	i-Motion™ II Operator Linkages

Subject Matter Expert

Name	Department
Pete Kelley	OSC Service Engineering

About Spare Parts Leaflets...

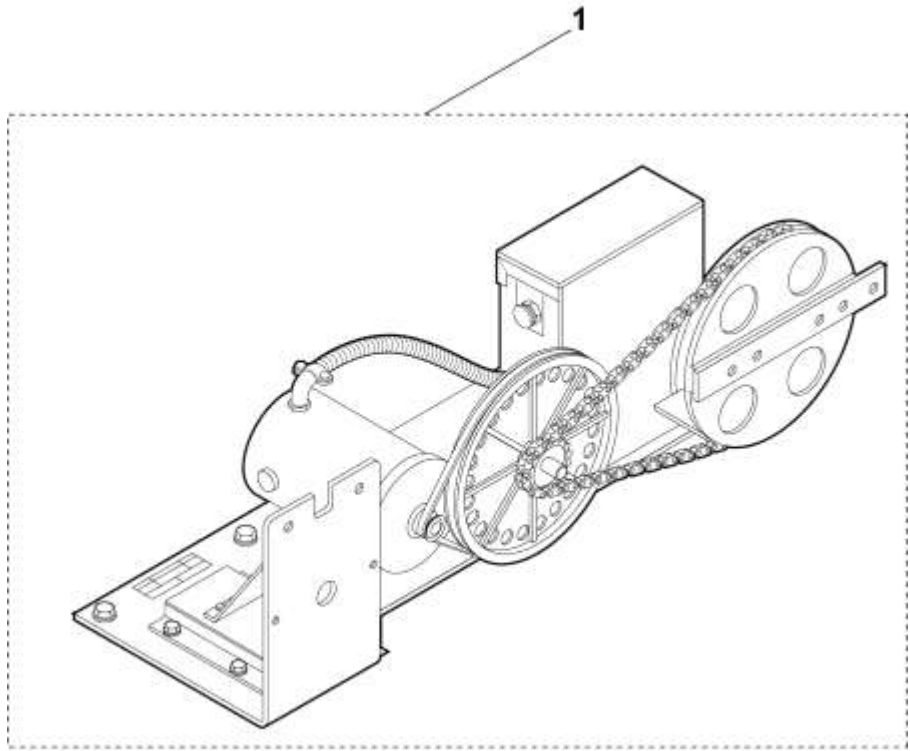
This document lists the lowest replaceable units (LRUs) for the standard version of the product. The LRUs are chosen by a team of Otis associates representing engineering and manufacturing.


While goal of this document is to make parts identification as easy as possible, the document cannot be all-inclusive. Elevator and escalator contracts classified as "special" or "custom" are not addressed here. For such contracts, please refer to specified information, the contract folder, TIPs, Field Education Articles, Construction Letters, etc. for further information.

If you have any suggestions about this document, please contact the subject matter expert listed on this page.





AAA7782BE Engine Assembly

23-AAA7782BJ



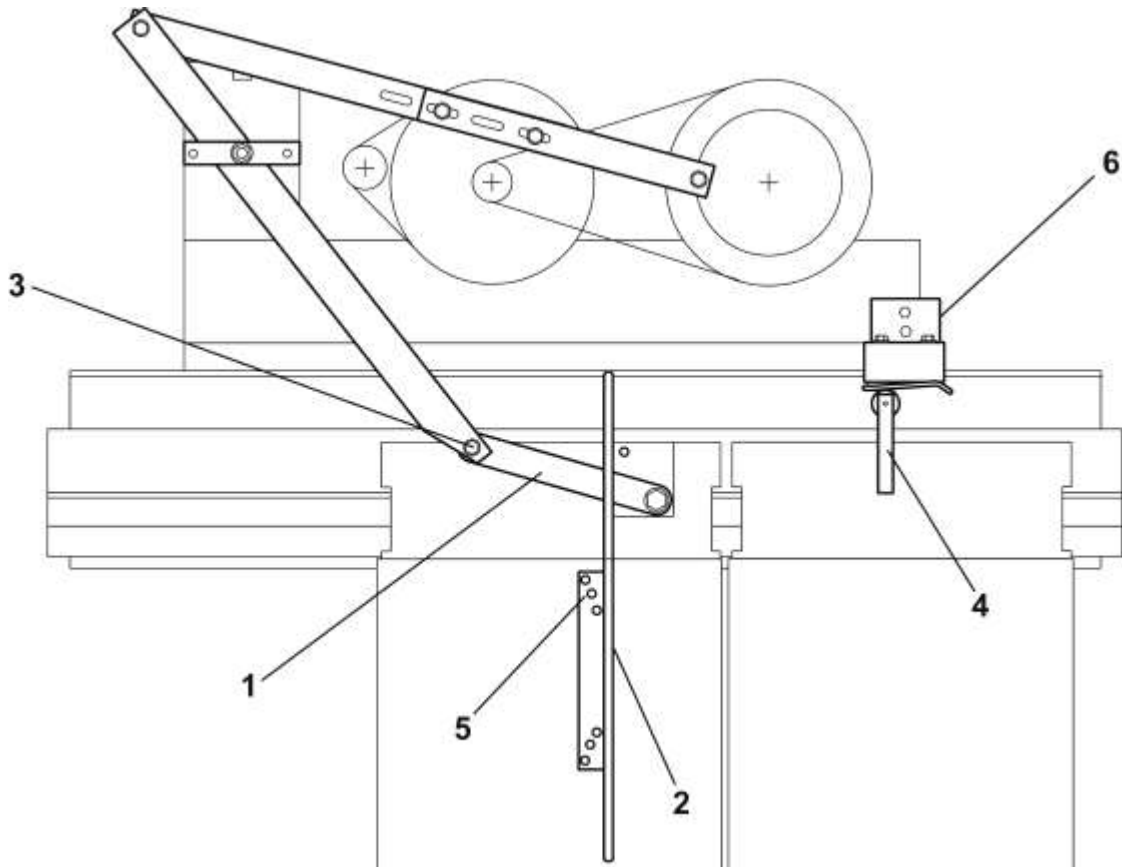
 23-AAA7782BE for spare parts information

**AAA7782BJ
AAA7782BK
AAA7782BL**

REF. No.	PART No.	DESCRIPTION	APPLICATION
1	AAB7782BE1	Assembly, Operator Engine, S/S Opening = 32-42 in., 2/S Opening = 36-55 in.	 , S/S, 2/S, w/o DCSS
	AAB7782BE2	Assembly, Operator Engine, S/S Opening = 32-42 in., 2/S Opening = 36-55 in.	 , S/S, 2/S, w/o DCSS
	AAB7782BE3	Assembly, Operator Engine, C/O Opening = 36-60 in.	C/O, w/o DCSS
	AAB7782BE4	Assembly, Operator Engine, S/S Opening = 32-42 in., 2/S Opening = 36-55 in.	 , S/S, 2/S, w/DCSS
	AAB7782BE5	Assembly, Operator Engine, S/S Opening = 32-42 in., 2/S Opening = 36-55 in.	 , S/S, 2/S, w/DCSS
	AAB7782BE6	Assembly, Operator Engine, C/O Opening = 36-42 in.	C/O, w/DCSS

23-AAA7782BJ

AAA7782BJ Linkage for Center-Opening Doors

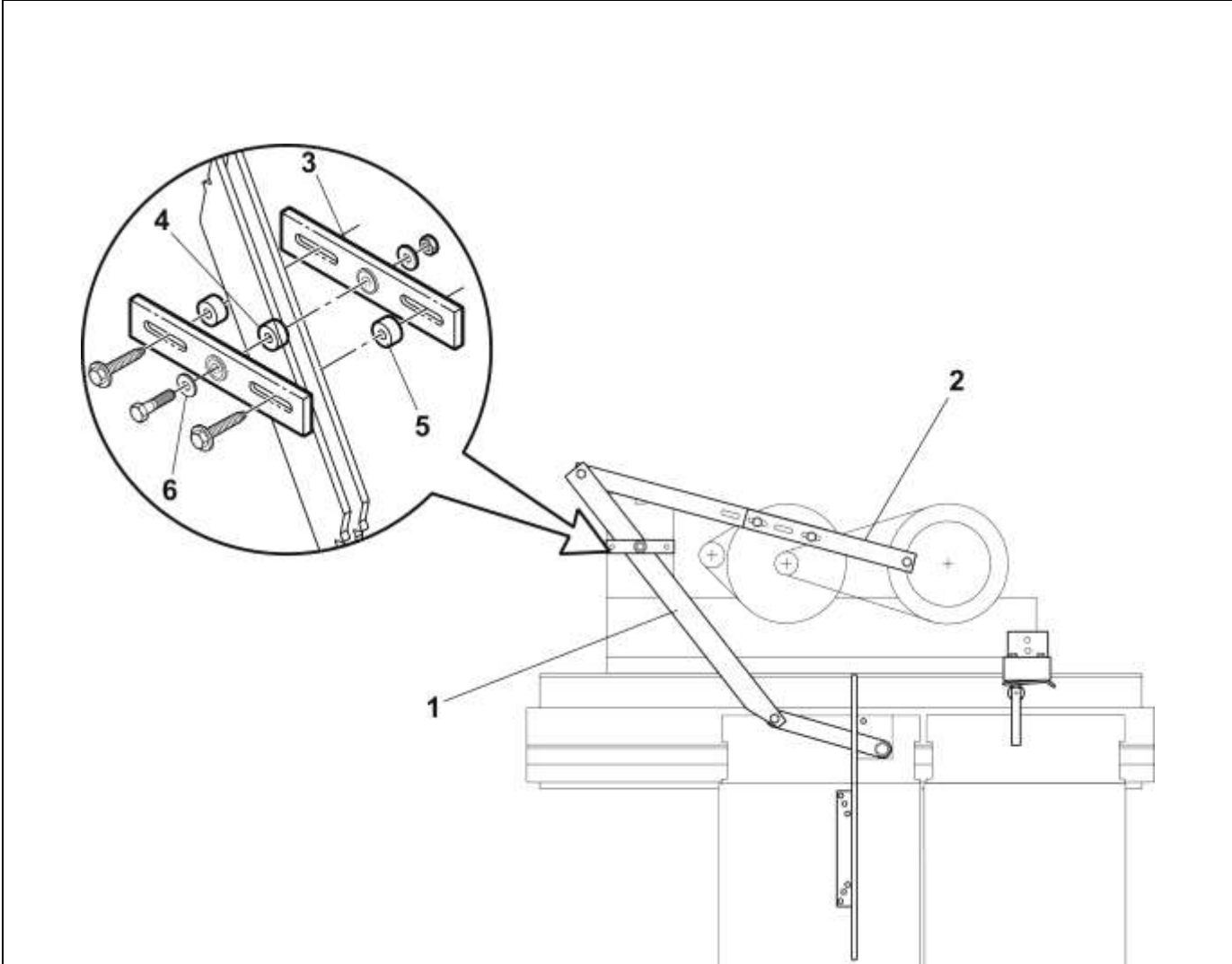


REF. No.	AAA7782BJ PART No.	DESCRIPTION
1	AAA430ES1	Assembly, Link
2	A6940AT3	Assembly, Stationary Vane
3	58AP4	Bolt, Shoulder
4	288RH8	Roller, Arm
5	109P2	Screw, Thread-Rolling, 1/4 in. × 5/8 in.
6	6098MV2	Switch, Gate

(Continued on next page)

AAA7782BJ Linkage for Center-Opening Doors

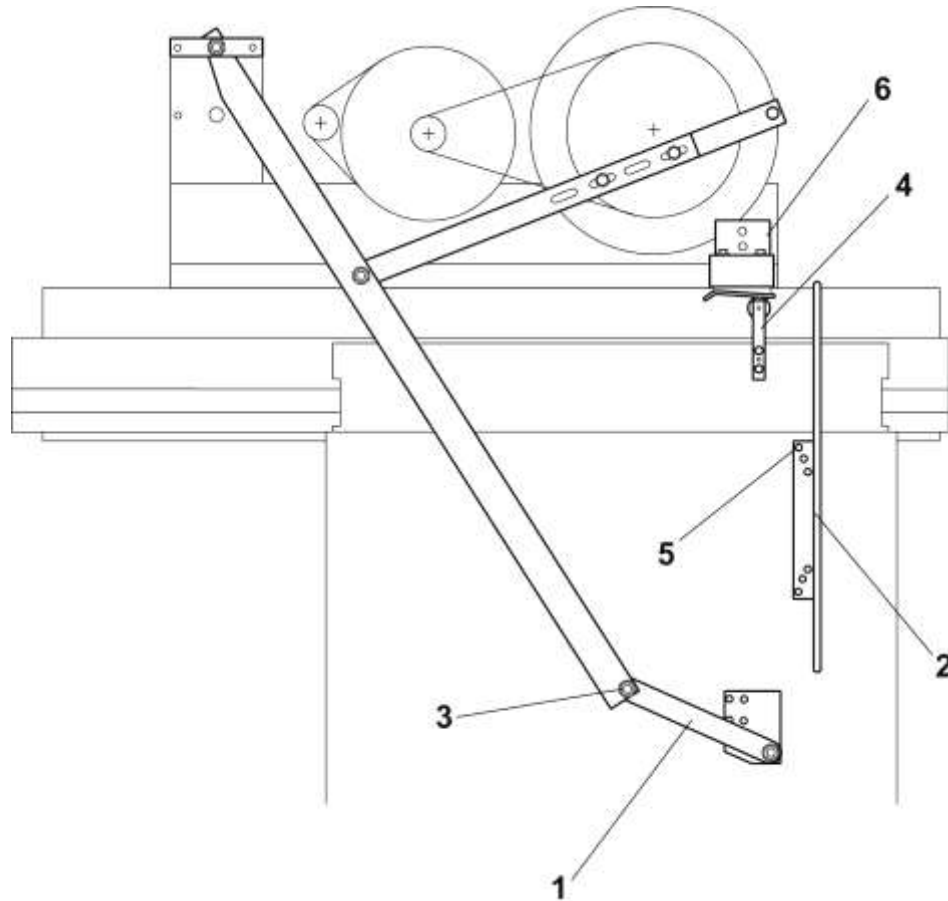
23-AAA7782BJ



AAA7782BJ		
REF. No.	PART No.	DESCRIPTION
1	288TJ9	Arm, Drive, 36 in.-60 in., Center-Opening
2	395F2	Assembly, Transmission Arm
3	299AKG4	Bar, Drive Arm Mounting
4	462HA129	Spacer, Aluminum (1 at center pivot)
5	462HA113	Spacer, Steel (2 required)
6	128AF18	Washer (shim)

AAA7782BK Linkage for Single-Slide Door

23-AAA7782BJ

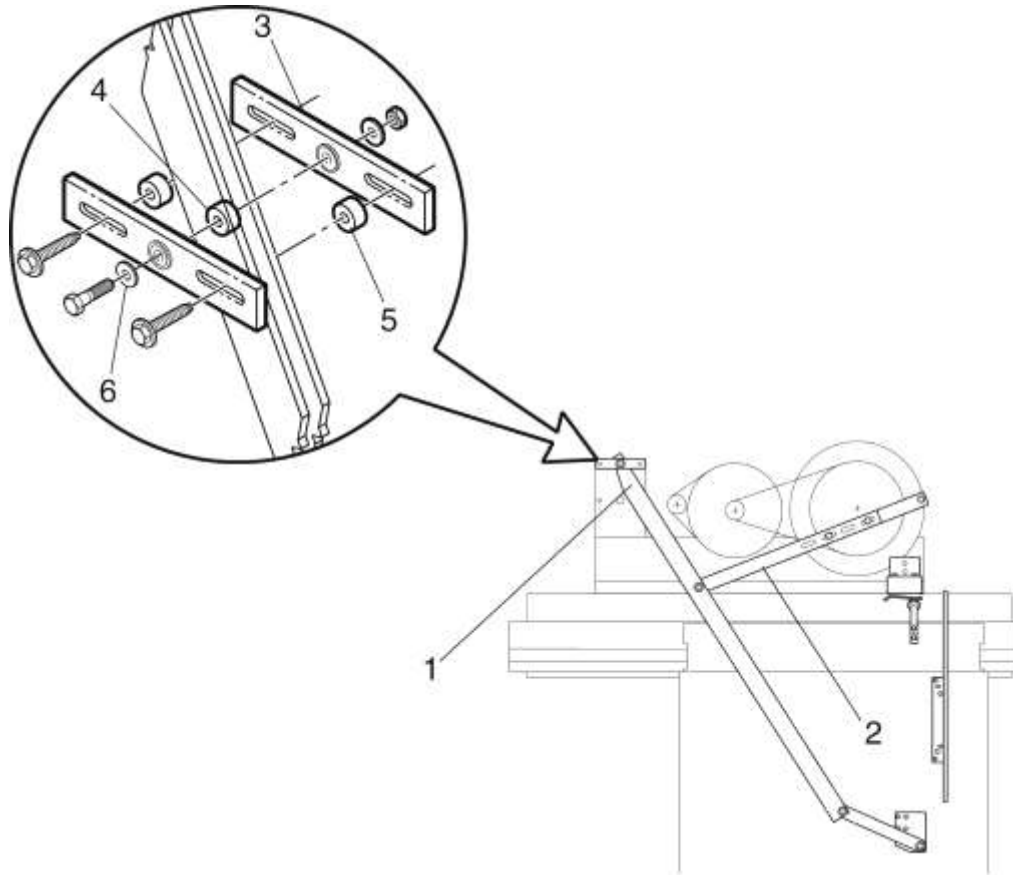


AAA7782BK		
REF. No.	PART No.	DESCRIPTION
1	AAA430ES2	Assembly, Link
	AAA430ES3	
2	A6940AT3	Assembly, Stationary Vane
	A6940AT4	
3	58AP4	Bolt, Shoulder
4	288RH8	Roller, Arm
5	109P2	Screw, Thread-Rolling, 1/4 in. × 5/8 in.
6	6098MV2	Switch, Gate

(Continued on next page)

23-AAA7782BJ

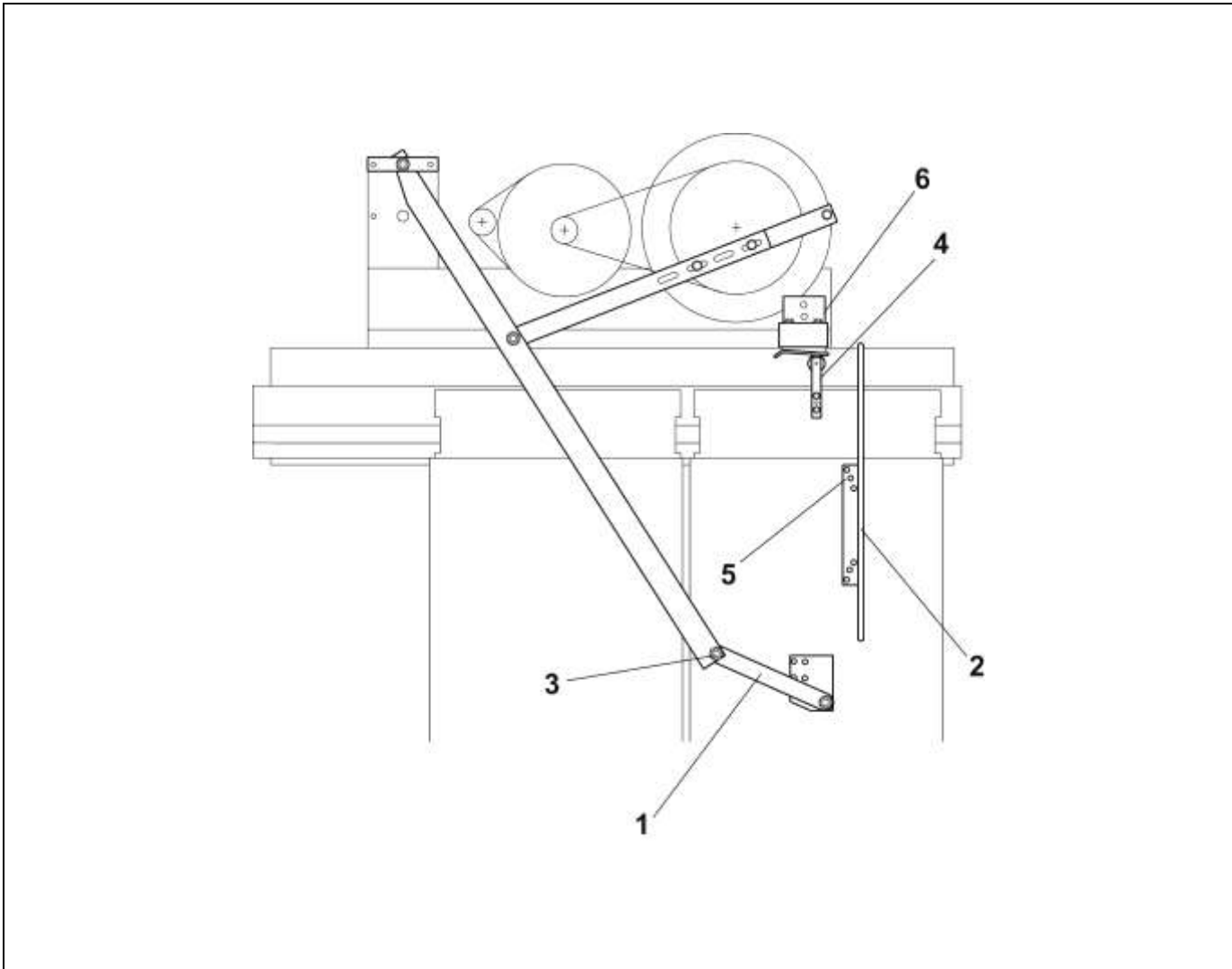
AAA7782BK Linkage for Single-Slide Door



AAA7782BK		
REF. No.	PART No.	DESCRIPTION
1	288TJ10	Arm, Drive, 32 in. - 42 in., Single-Slide
2	395F2	Assembly, Transmission Arm
3	299AKG4	Bar, Drive Arm Mounting
4	462HA129	Spacer, Aluminum (1 at center pivot)
5	462HA113	Spacer, Steel (2 required)
6	128AF18	Washer (shim)

AAA7782BL Linkage for Two-Speed Doors

23-AAA7782BJ

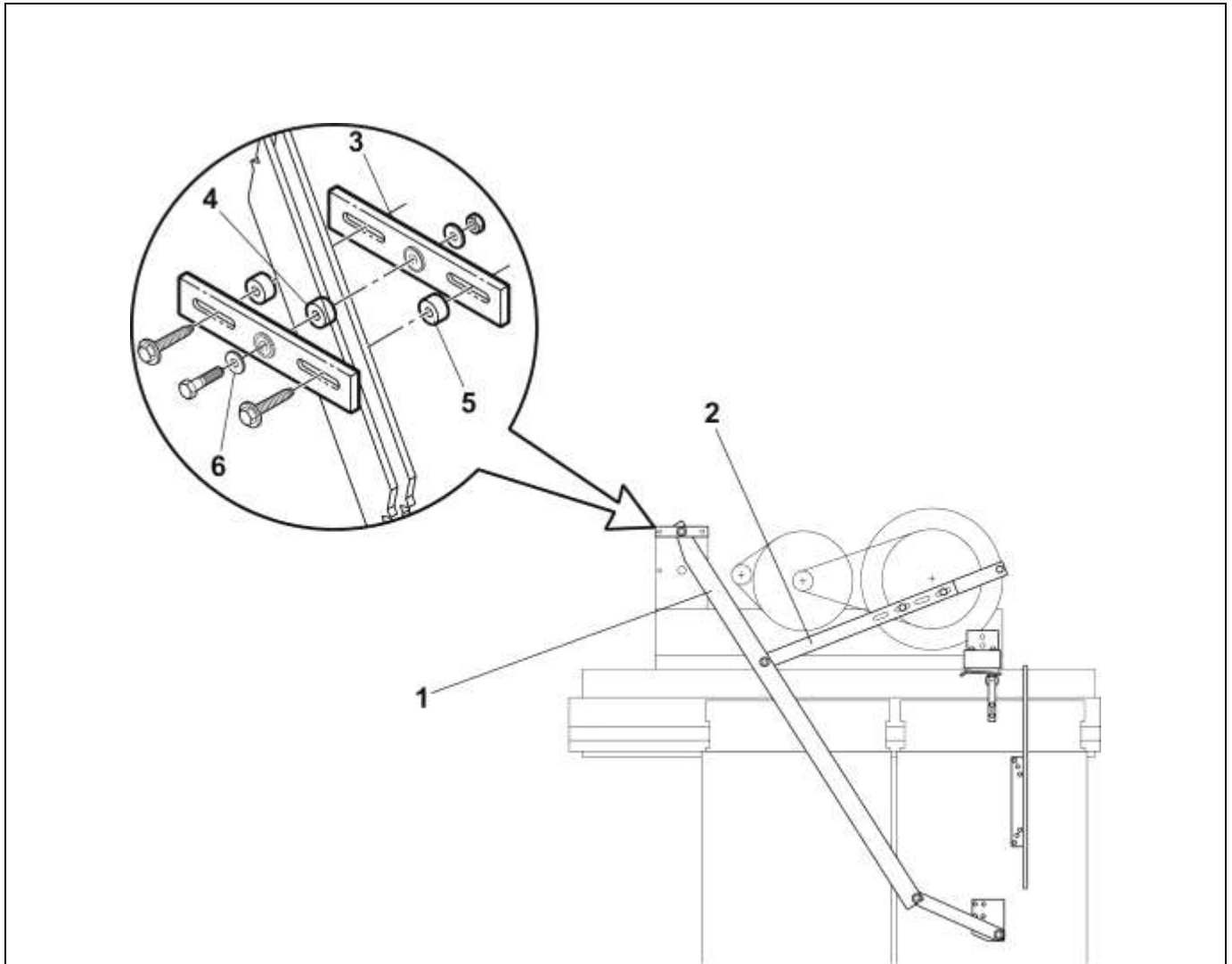


AAA7782BL		
REF. No.	PART No.	DESCRIPTION
1	AAA430ES2	Assembly, Link
	AAA430ES3	
2	A6940AT3	Assembly, Stationary Vane
	A6940AT4	
3	58AP4	Bolt, Shoulder
4	288RH8	Roller, Arm
5	109P2	Screw, Thread-Rolling, 1/4 in. × 5/8 in.
6	6098MV2	Switch, Gate

(Continued on next page)

23-AAA7782BJ

AAA7782BL Linkage for Two-Speed Doors



AAA7782BL		
REF. No.	PART No.	DESCRIPTION
1	288TJ10	Arm, Drive, 36 in. - 55 in., Two-Speed
2	395F2	Assembly, Transmission Arm
3	299AKG4	Bar, Drive Arm Mounting
4	462HA129	Spacer, Aluminum (1 at center pivot)
5	462HA113	Spacer, Steel (2 required)
6	128AF18	Washer (shim)