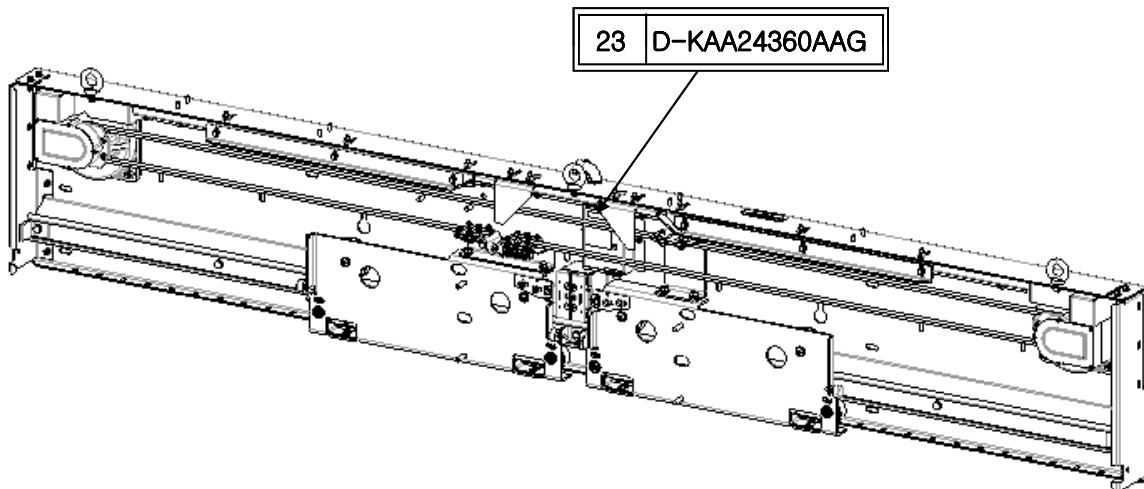


**Door Operator,  
Center-Opening,  
2-Motor, 2-Coupler  
GLIDE® P System**

**Spare Parts Leaflet**  
**23-KAA24360AAG**  
April 23, 2014 / Page 1 of 15



Unpublished Work—© Otis Elevator Co.; 2014

**OTIS**

**Safety First!**

**SERVICE ENGINEERING**  
**Otis Elevator Company**  
**Bloomfield, Connecticut USA**

**Leaflet Description**

This Spare Parts Leaflet (SPL) reflects the Lowest Replaceable Units (LRUs) for NG premium car door operator, GLIDE P.

**Leaflet Revisions**

<b>Date Revised</b>	<b>Subject Matter Expert</b>	<b>Reason for Revision</b>
December 3, 2009	JungSam Kim, JinKoo Lee and ByeongSam Yoo	New SPL
February 10, 2012	JungSam Kim and JinKoo Lee	Updated SPL based on NSAA SIT review
May 11, 2012	JungSam Kim and JinKoo Lee	Updated SPL based on NAA OSC review
September 20, 2012	JungSam Kim and JinKoo Lee	Updated SPL based on NAA OSC review
June 27, 2013	JungSam Kim and JinKoo Lee	Changed part no. of upthrust roller in page 11 (was KAA456ABH1)
April 23, 2014	JungSam Kim and Brian Regan	Updated SPL based on NAA OSC review

**Related Drawings**

<b>Drawing No.</b>	<b>Title</b>
KAA24360AAQ	Car Door Operator Module, Center Opening, 2 Coupler
KAA389ABT	Bracket, Hanger, Hanger Assy Car Door
KAA717AAM	Belt, Door Operator
KAA24354AAG	Motor Assy, Flat PM Motor, Door Operator

**Related Documents**

<b>Document ID</b>	<b>Title</b>
SPL 23-KAA24360AAQ	Car Door Operator Module, Center Opening, 2 Coupler
SPL 24-KAA24392AAQ	Coupler Arrangement, Center Opening , 2 Coupler
SPL 10-KAA24360AAL	Door Controller, For NGPOK

**Subject Matter Expert**

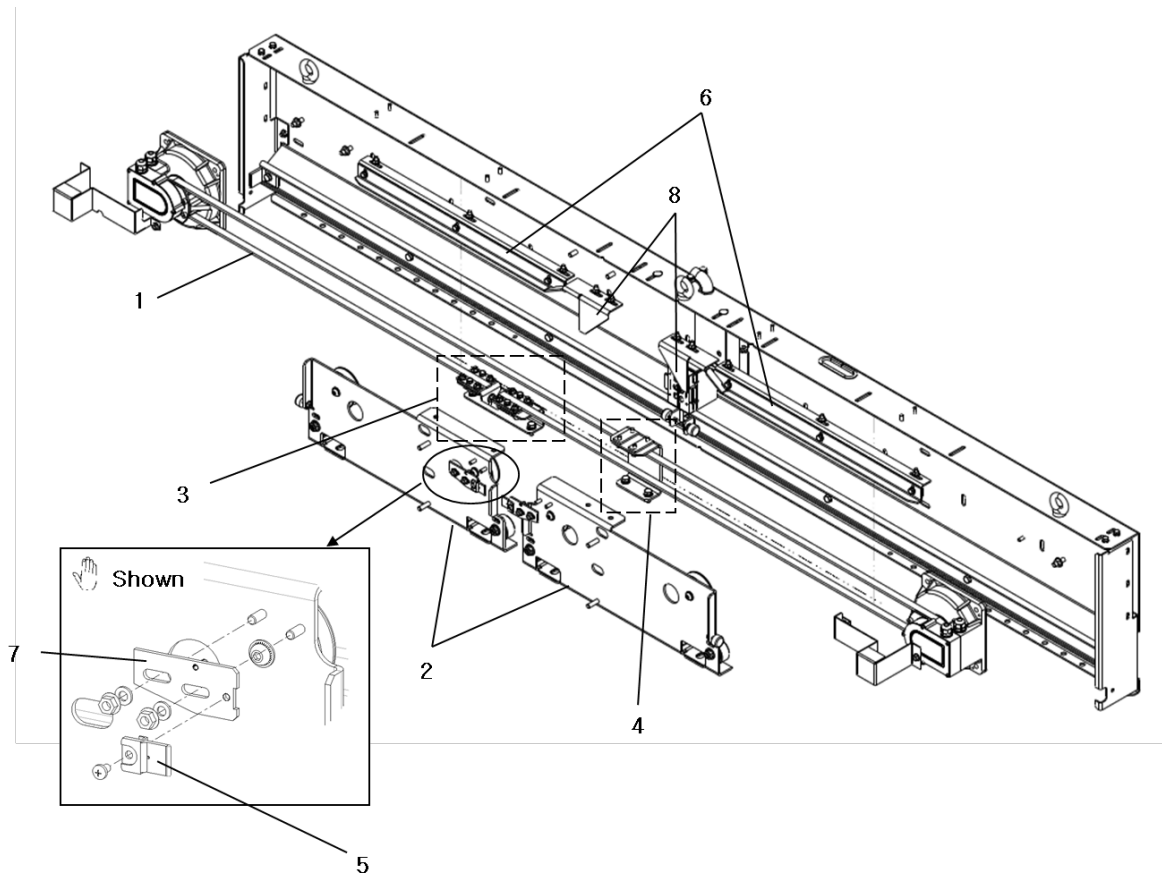
<b>Name</b>	<b>Department</b>
Peter Kelley	OSC SERVICE ENGINEERING







**About Spare Parts Leaflets...**

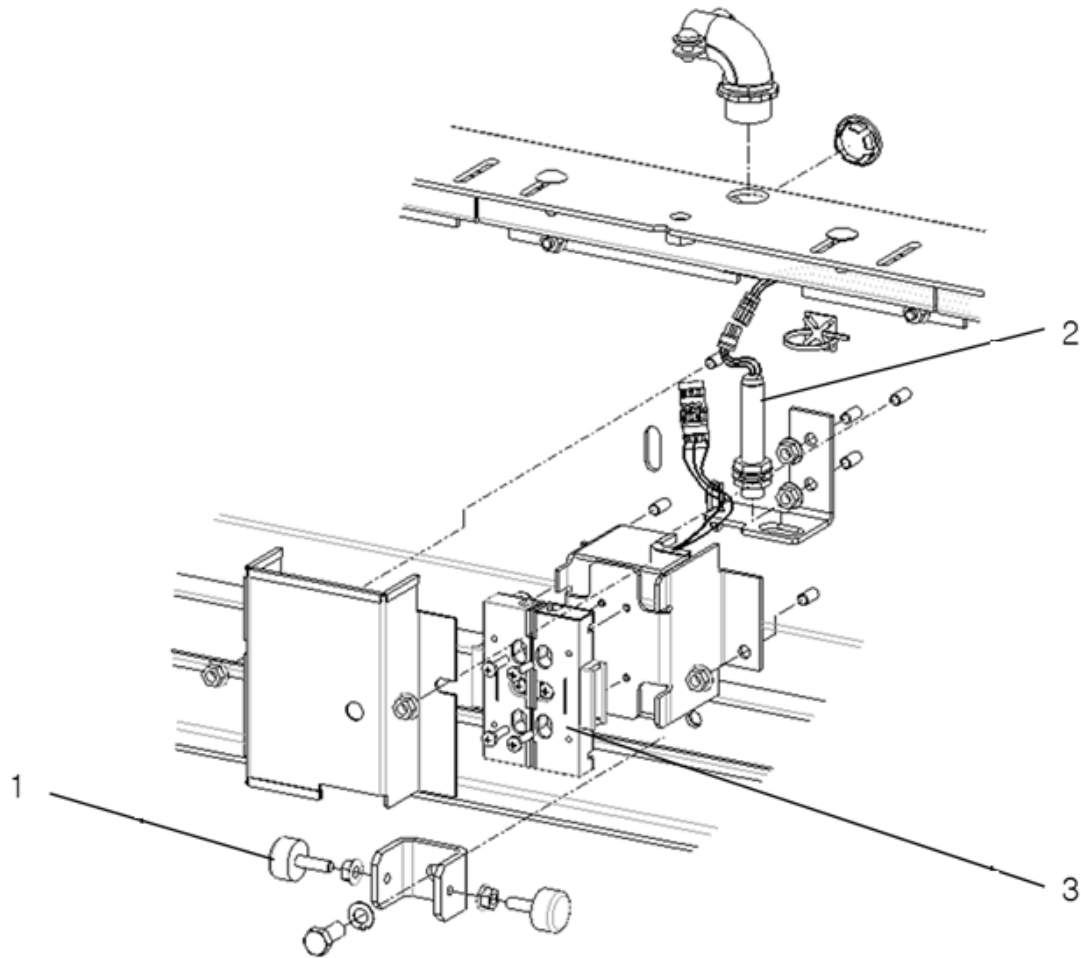
This document lists the lowest replaceable units (LRUs) for the standard version of the product. The LRUs are chosen by a team of Otis associates representing engineering and manufacturing.

While goal of this document is to make parts identification as easy as possible, the document cannot be all-inclusive. Elevator and escalator contracts classified as "special" or "custom" are not addressed here. For such contracts, please refer to specified information, the contract folder, TIPS, Field Education Articles, Construction Letters, etc. for further information.

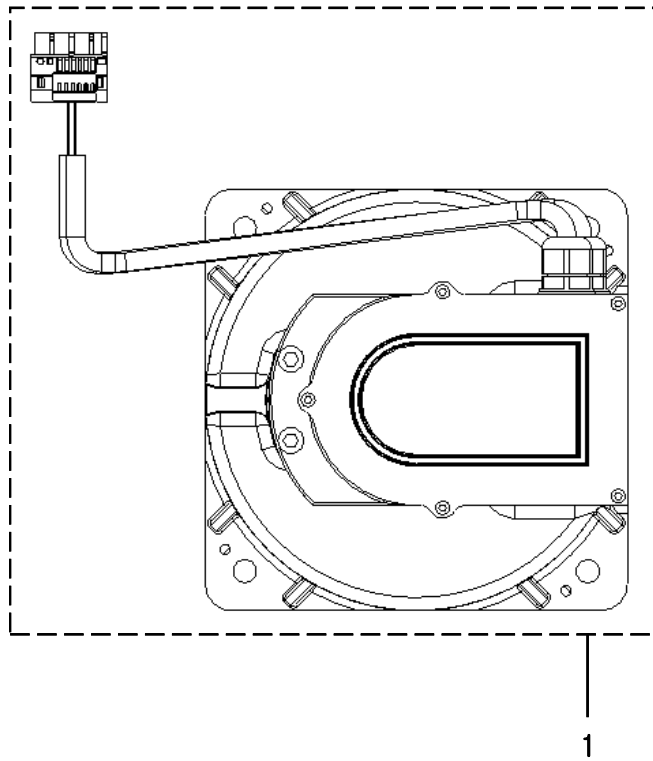
If you have any suggestions about this document, please contact the subject matter expert listed on this page.




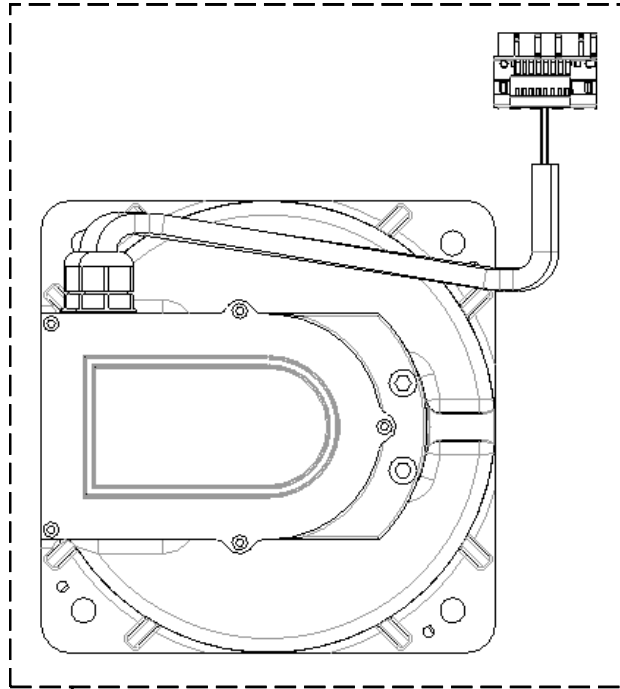
KAA24360AAG		
REF. No.	PART No.	DESCRIPTION
1	---	Belt, Door Operator, See page 8
2	---	Hanger Assy (  and  ), See page 9, 10, 11
3	KAA336AAW1	Assy, Belt Clamp w/ belt tensioning
4	KAA336AAQ1	Assy, Belt Clamp w/o belt tensioning
5	KAA156AAA1	Contactors, Short Bar
6	---	Guide, Coupler Roller Guide (  and  ), See page 12 & 13
7	KAA180AAZ1	Holder, Short Bar
8	KAA477AAJ1	Stop, Roller 
	KAA477AAJ2	Stop, Roller 




<b>KAA24360AAG</b>		
<b>REF. No.</b>	<b>PART No.</b>	<b>DESCRIPTION</b>
1	AAA320EG2	Bumper, Rubber
2	---	Proximity Switch and Wiring, See page 7
3	KAA661AAQ1	Gate Switch



<b>KAA24360AAG</b>					
<b>REF. No.</b>	<b>PART No.</b>	<b>DESCRIPTION</b>	<b>Opening width (OP) mm/in</b>	<b>REMARK</b>	
1	KAA24354AAG1	Motor Assy, Flat PM Motor, Door Operator	800/31.5"	 Select the motor for the next greater Opening width if you have an OP not shown.	
	KAA24354AAG2		900/35.4"		
	KAA24354AAG3		1000/39.4"		
	KAA24354AAG4		1100/43.3"		
	KAA24354AAG5		1200/47.2"		
	KAA24354AAG6		1300/51.2"		
	KAA24354AAG7		1400/55.1"		
	KAA24354AAG11		914/36"		
	KAA24354AAG12		1067/42"		
	KAA24354AAG13		1219/48"		
	KAA24354AAG14		1372/54"		
	KAA24354AAG15		1524/60"		
	KAA24354AAG16		---		Wire length 1740mm/68.5"
	KAA24354AAG17		---		Wire length 2390mm/94.1"

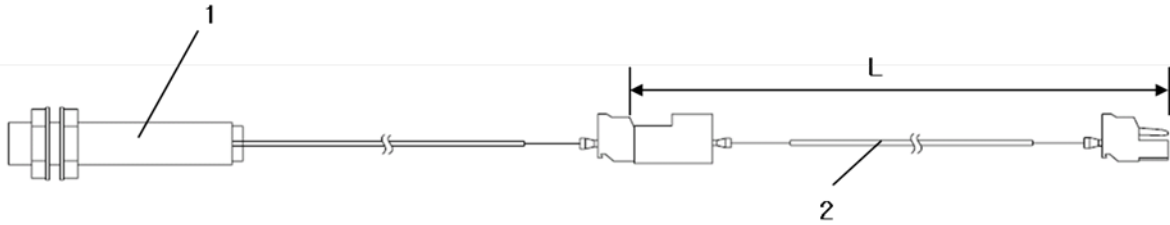


1

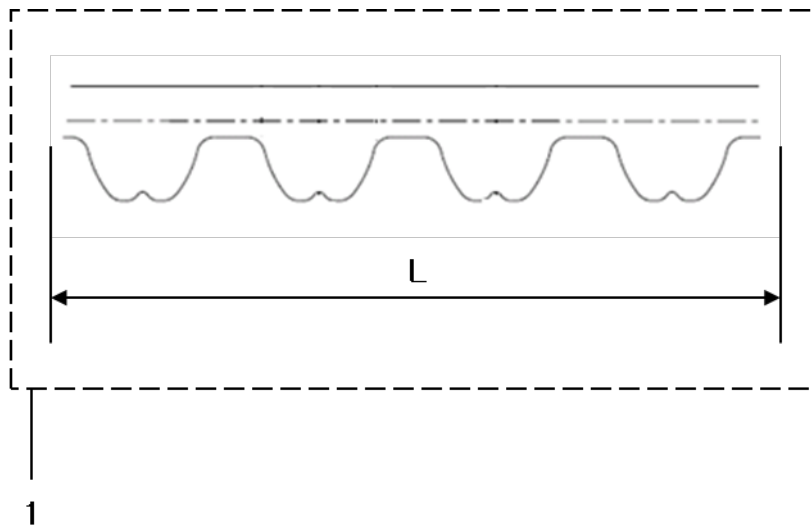
<b>KAA24360AAG</b>				
<b>REF. No.</b>	<b>PART No.</b>	<b>DESCRIPTION</b>	<b>Opening width (OP) mm/in</b>	<b>REMARK</b>
1	KAA24354AAG21	Motor Assy, Flat PM Motor, Door Operator	800/31.5"	 Select the motor for the next greater Opening width if you have an OP not shown.
	KAA24354AAG22		900/35.4"	
	KAA24354AAG23		1000/39.4"	
	KAA24354AAG24		1100/43.3"	
	KAA24354AAG25		1200/47.2"	
	KAA24354AAG26		1300/51.2"	
	KAA24354AAG27		1400/55.1"	
	KAA24354AAG31		914/36"	
	KAA24354AAG32		1067/42"	
	KAA24354AAG33		1219/48"	
	KAA24354AAG34		1372/54"	
	KAA24354AAG35		1524/60"	

# Proximity Switch and Wiring, GLIDE P

**23-KAA24360AAG**



<b>KAA24360AAG</b>				
<b>REF. No.</b>	<b>PART No.</b>	<b>DESCRIPTION</b>	<b>Opening Width (OP) mm/in</b>	<b>L mm/in</b>
1	AAA24431B1	Switch, Proximity	---	---
2	KAA174AJY1	Cable, Electrical	800/31.5"	640/25.2"
	KAA174AJY2		900/35.4" to 914/36"	690/27.2"
	KAA174AJY3		1000/39.4"	740/29.1"
	KAA174AJY4		1100/43.3" to 1067/42"	790/31.1"
	KAA174AJY5		1200/47.2" to 1219/48"	840/33.1"
	KAA174AJY6		1300/51.2"	890/35"
	KAA174AJY7		1400/55.1" to 1372/54"	940/37"
	KAA174AJY8		1524/60"	990/39"



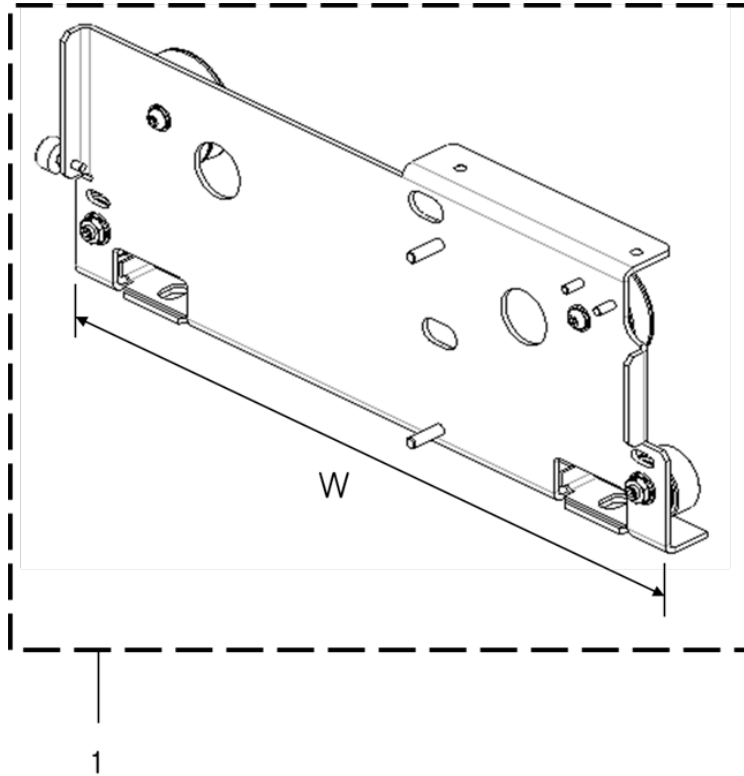
<b>KAA24360AAG</b>				
<b>REF. No.</b>	<b>PART No.</b>	<b>DESCRIPTION</b>	<b>Opening width (OP) mm/in</b>	<b>LENGTH (L) mm/in</b>
1	KAA717AAM1	Belt, Door Operator	800/31.5"	3168/124.7"
	KAA717AAM2		900/35.4"	3408/134.2"
	KAA717AAM3		1000/39.4"	3808/149.9"
	KAA717AAM4		1100/43.3"	4208/165.7"
	KAA717AAM5		1200/47.2"	4608/181.4"
	KAA717AAM6		1300/51.2"	5008/197.2"
	KAA717AAM7		1400/55.1"	5408/212.9"
	KAA717AAM11		914/36"	3464/136.4"
	KAA717AAM12		1067/42"	4080/160.6"
	KAA717AAM13		1219/48"	4688/184.6"
	KAA717AAM14		1372/54"	5296/208.5"
	KAA717AAM15		1524/60"	5904/232.4"
	KAA717AAM999-__			See note


**NOTE:** For arr 999, order to length of belt, approximately 4 x opening width in mm.  
 Example, for 1500mm belt length, order KAA717AAM999-1500



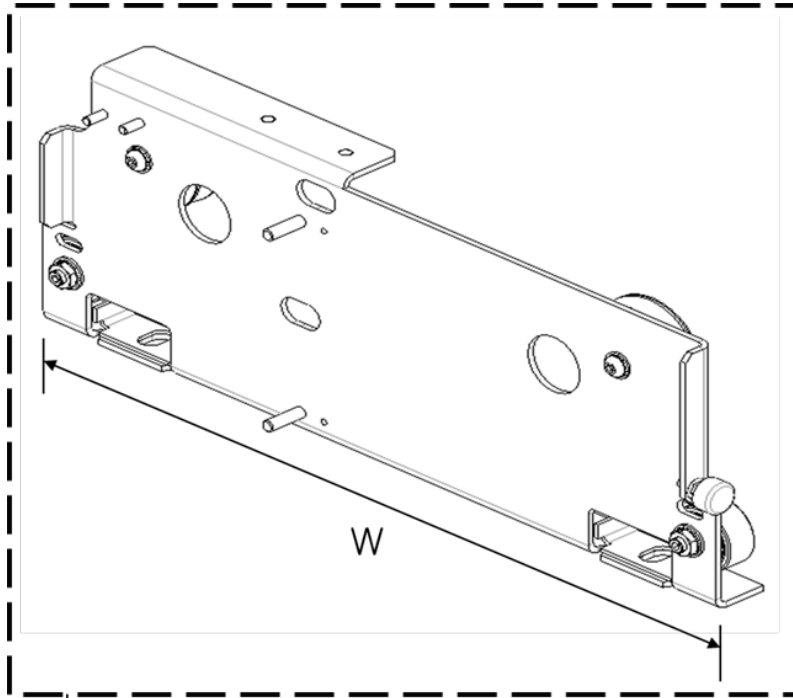
# Hanger Assy, GLIDE P



**23-KAA24360AAG**



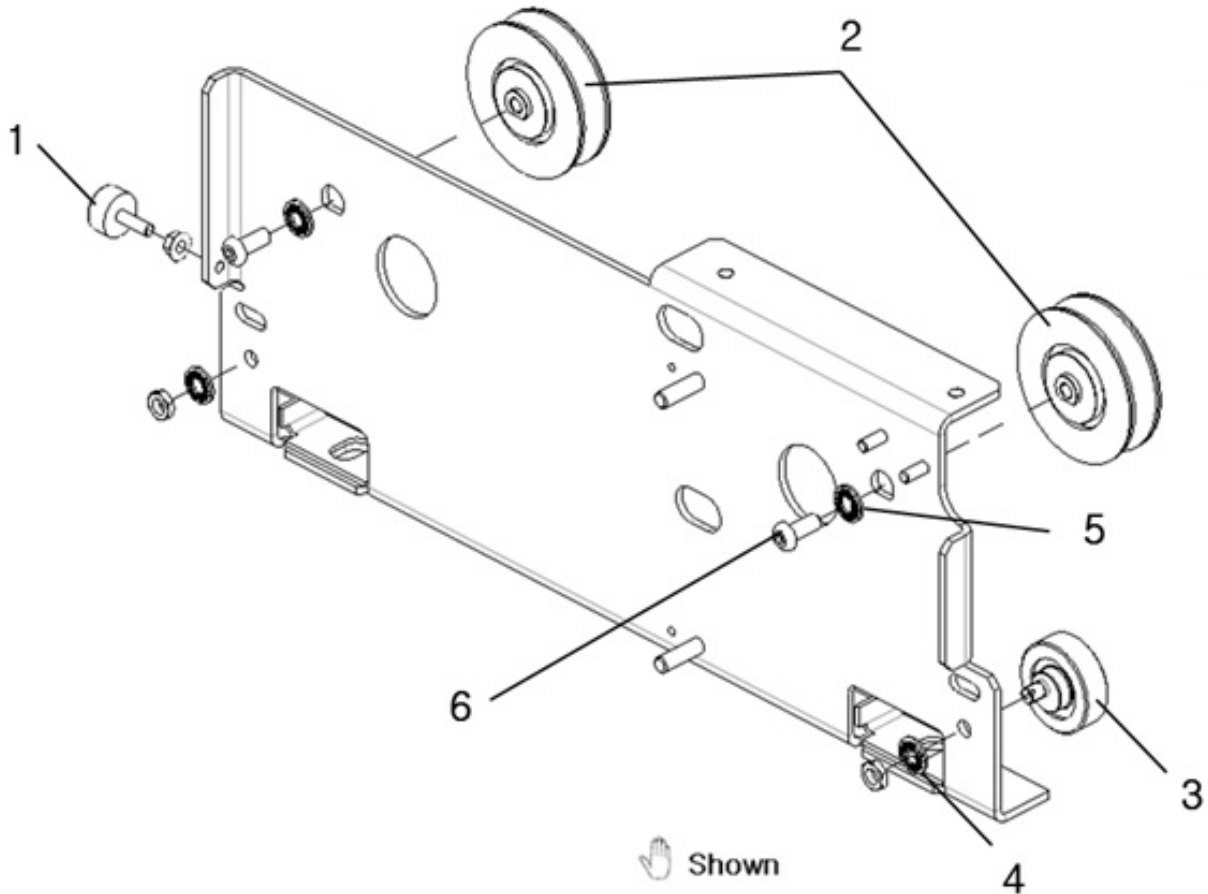
KAA24360AAG					
REF. No.	PART No.	DESCRIPTION	Opening width (OP) mm/in	W [mm/in]	REMARK
1	KAA389ABT1	Bracket, Hanger Hanger Assy Car Door	800/31.5"	370/14.6"	
	KAA389ABT2		900/35.4"	420/16.5"	
	KAA389ABT3		1000/39.4"	470/18.5"	
	KAA389ABT4		1100/43.3"	520/20.5"	
	KAA389ABT5		1200/47.2"	570/22.4"	
	KAA389ABT6		1300/51.2"	620/24.4"	
	KAA389ABT7		1400/55.1"	670/26.4"	
	KAA389ABT11		914/36"	427/16.8"	
	KAA389ABT12		1067/42"	503.5/19.8"	
	KAA389ABT13		1219/48"	579.5/22.8"	
	KAA389ABT14		1372/54"	656/25.8"	
	KAA389ABT15		1524/60"	732/28.8"	
	KAA389ABT999-__		---	OP/2-30	

**NOTE:** Provide "W" dimension in mm

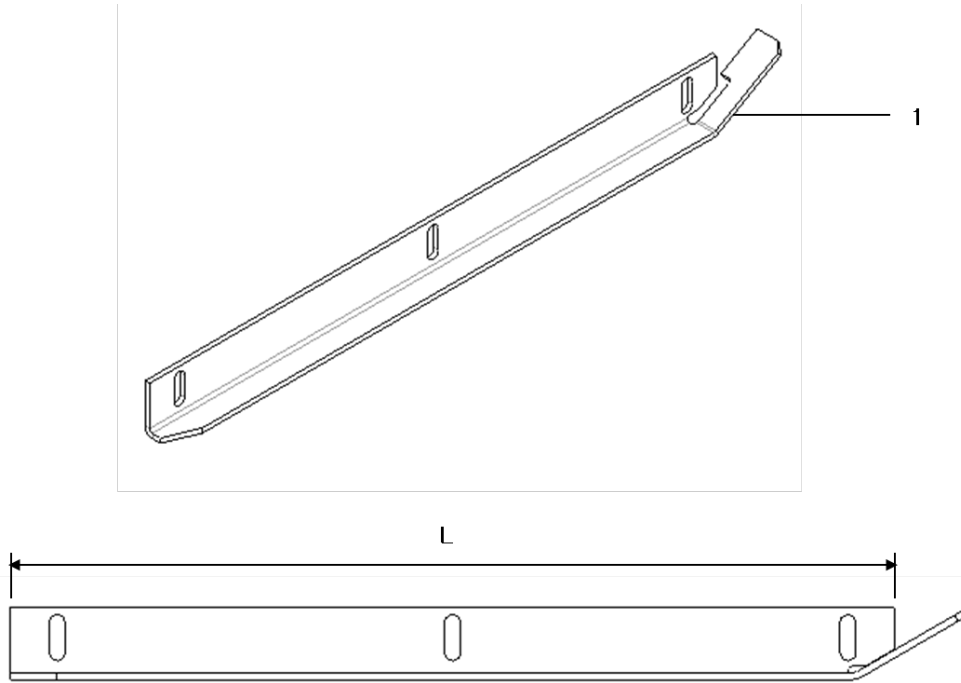



<b>KAA24360AAG</b>						
<b>REF. No.</b>	<b>PART No.</b>	<b>DESCRIPTION</b>	<b>Opening width (OP) mm/in</b>	<b>W mm/in</b>	<b>REMARK</b>	
1	KAA389ABT101	Bracket, Hanger Hanger Assy Car Door	800/31.5"	370/14.6"		
	KAA389ABT102		900/35.4"	420/16.5"		
	KAA389ABT103		1000/39.4"	470/18.5"		
	KAA389ABT104		1100/43.3"	520/20.5"		
	KAA389ABT105		1200/47.2"	570/22.4"		
	KAA389ABT106		1300/51.2"	620/24.4"		
	KAA389ABT107		1400/55.1"	670/26.4"		
	KAA389ABT111		914/36"	427/16.8"		
	KAA389ABT112		1067/42"	503.5/19.8"		
	KAA389ABT113		1219/48"	579.5/22.8"		
	KAA389ABT114		1372/54"	656/25.8"		
	KAA389ABT115		1524/60"	732/28.8"		
	KAA389ABT998-__		---	OP/2-30		 see note

**NOTE:** Provide "W" dimension in mm

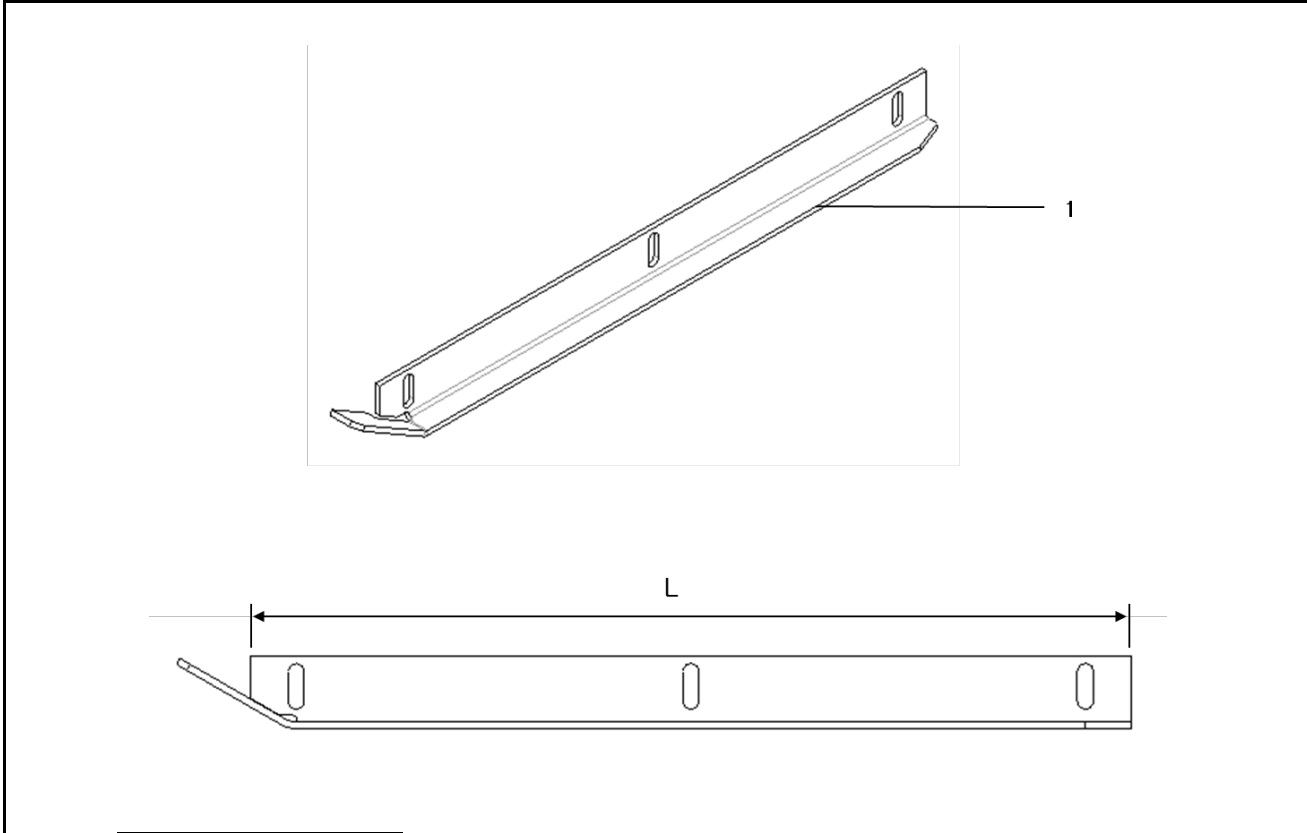


KAA24360AAG		
REF. No.	PART No.	DESCRIPTION
1	AAA320EG2	Bumper
2	AAA456ZB1	Roller, Door
3	KAA456ABH2	Roller, Upthrust
4	KAA130AAB1	Washer, conical serrated (M8)
5	KAA130AAB2	Washer, conical serrated (M10)
6	ISO7380M8X20-10.9B	M8X20 Hexagon Socket Button Head Screw



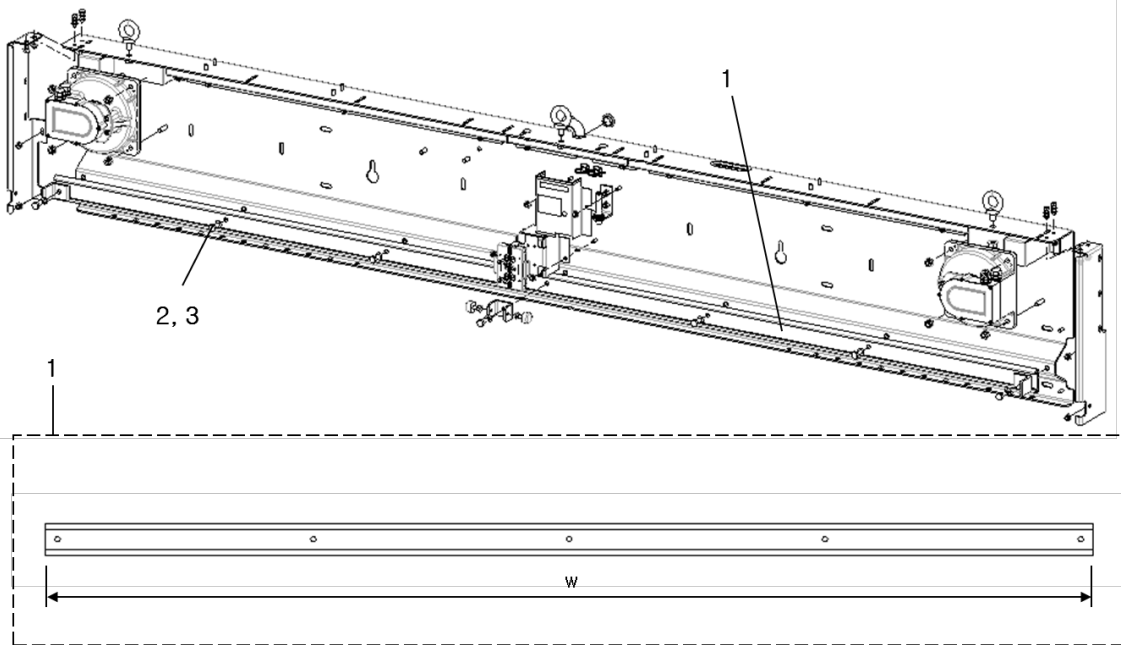
<b>KAA24360AAG</b>					
<b>REF. No.</b>	<b>PART No.</b>	<b>DESCRIPTION</b>	<b>OP</b>	<b>L(mm/in)</b>	<b>REMARK</b>
1	KAA385ABF1	Guide, Coupler Roller Guide	800/31.5"	380/15"	
	KAA385ABF2		900/35.4"	430/16.9"	
	KAA385ABF3		1000/39.4"	480/18.9"	
	KAA385ABF4		1100/43.3"	530/20.9"	
	KAA385ABF5		1200/47.2"	580/22.8"	
	KAA385ABF6		1300/51.2"	630/24.8"	
	KAA385ABF7		1400/55.1"	680/26.8"	
	KAA385ABF11		914/36"	437/17.2"	
	KAA385ABF12		1067/42"	513.5/20.2"	
	KAA385ABF13		1219/48"	589.5/23.2"	
	KAA385ABF14		1372/54"	666/26.2"	
	KAA385ABF15		1524/60"	742/29.2"	
	KAA385ABF999-___		---	OP/2	

**NOTE:** Provide "L" dimension in mm



KAA24360AAG					
REF. No.	PART No.	DESCRIPTION	OP	L1 mm/in	REMARK
1	KAA385ABF101	Guide, Coupler Roller Guide	800/31.5"	380/15"	
	KAA385ABF102		900/35.4"	430/16.9"	
	KAA385ABF103		1000/39.4"	480/18.9"	
	KAA385ABF104		1100/43.3"	530/20.9"	
	KAA385ABF105		1200/47.2"	580/22.8"	
	KAA385ABF106		1300/51.2"	630/24.8"	
	KAA385ABF107		1400/55.1"	680/26.8"	
	KAA385ABF111		914/36"	437/17.2"	
	KAA385ABF112		1067/42"	513.5/20.2"	
	KAA385ABF113		1219/48"	589.5/23.2"	
	KAA385ABF114		1372/54"	666/26.2"	
	KAA385ABF115		1524/60"	742/29.2"	
	KAA385ABF999-__		---	OP/2	

**NOTE:** Provide "L" dimension in mm



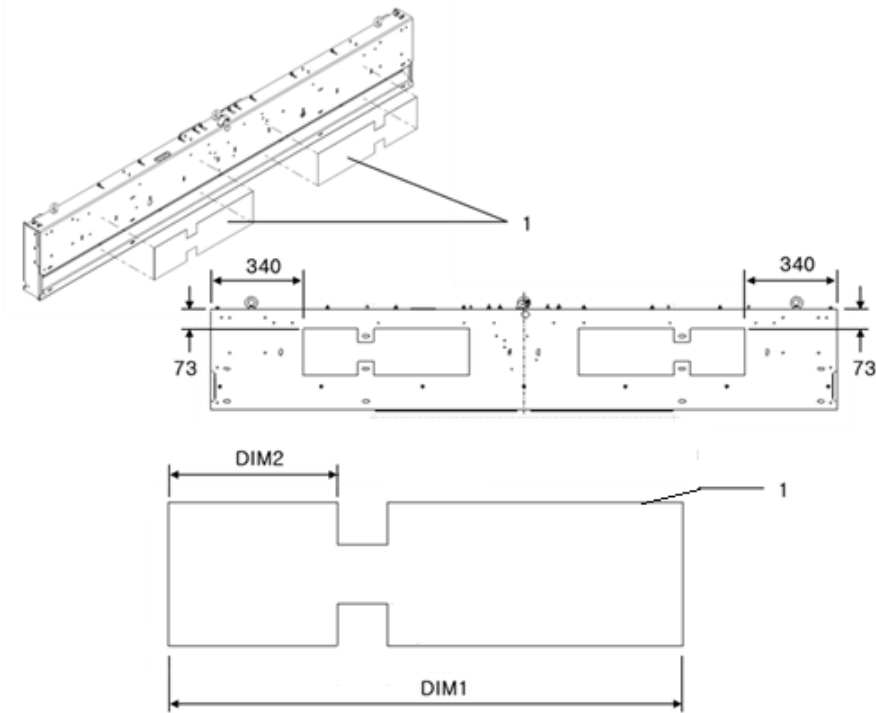
**KAA24350AAG**

REF. No.	PART No.	DESCRIPTION	Opening width (OP) mm/in	W mm/in	Number of mounting holes
1	KAA483AAL1	Track, Rail	800/31.5"	1672/65.8"	5
	KAA483AAL2		900/35.4"	1872/73.7"	5
	KAA483AAL3		1000/39.4"	2074/81.7"	7
	KAA483AAL4		1100/43.3"	2272/89.4"	7
	KAA483AAL5		1200/47.2"	2476/97.5"	7
	KAA483AAL6		1300/51.2"	2674/105.3"	7
	KAA483AAL7		1400/55.1"	2872/113.1"	7
	KAA483AAL11		914/36"	1900/74.8"	5
	KAA483AAL12		1067/42"	2206/86.9"	7
	KAA483AAL13		1219/48"	2512/98.9"	7
	KAA483AAL14		1372/54"	2818/110.9"	7
	KAA483AAL15		1524/60"	3120/122.8"	9
			KAA483AAL999-___	Track, Rail, See note	---
2	ISO4017 M8X20-8.8Z	M8X20 HEXAGON HEAD SCREW			
3	DIN6797A-M8-350HV-Z	M8 EXTERNAL TOOTH LOCK WASHER			

**NOTE:** Provide "W" dimension in mm

# Damper, GLIDE P

**23-KAA24360AAG**



<b>KAA24360AAG</b>					
<b>REF. No.</b>	<b>PART No.</b>	<b>DESCRIPTION</b>	<b>OP mm/in</b>	<b>DIM1 mm/in</b>	<b>DIM2 mm/in</b>
1	KAA386AFV1	Damper, Foil	800/31.5"	500/19.7"	50/1.97"
	KAA386AFV2		900/35.4"	600/23.6"	100/3.9"
	KAA386AFV3		1000/39.4"	610/24"	150/5.9"
	KAA386AFV4		1100/43.3"		200/7.9"
	KAA386AFV5		1200/47.2"		250/9.8"
	KAA386AFV6		1300/51.2"		300/11.8"
	KAA386AFV7		1400/55.1"		350/13.8"
	KAA386AFV11		914/36"		107/4.2"
	KAA386AFV12		1067/42"		183.5/7.2"
	KAA386AFV13		1219/48"		259.5/10.2"
	KAA386AFV14		1372/54"		336/13.2"
	KAA386AFV15		1524/60"		412/16.2"
	KAA386AFV900		Replacement Kit (610mm X 1372mm), Cut to DIM1 and DIM2 to be equivalent to KAA386AFV part no.		