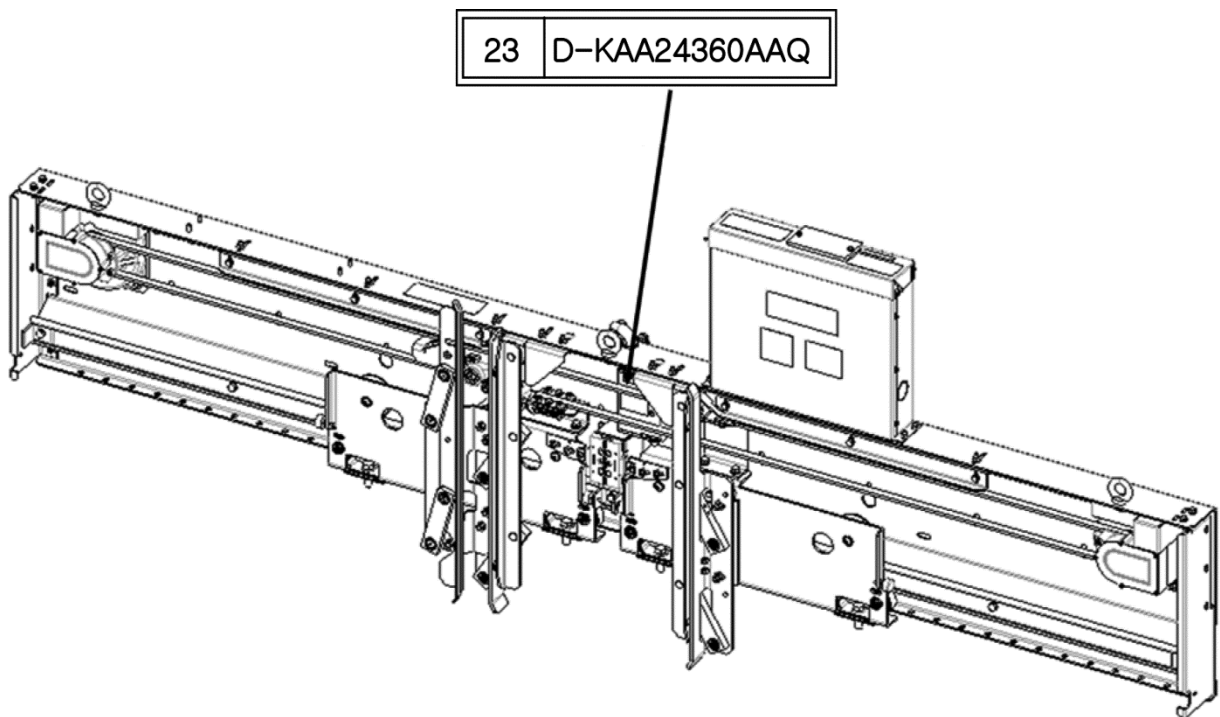


**Car Door Operator  
Module Center-  
Opening, Two-Coupler  
GLIDE® P System**

**Spare Parts Leaflet  
23-KAA24360AAQ**

**February 10, 2012 / Page 1 of 3**



**OTIS**

**SERVICE ENGINEERING  
Otis Elevator Company  
Bloomfield, Connecticut USA**

Unpublished Work—© Otis Elevator Co.; 2012

**Leaflet Description**

This Spare Parts Leaflet (SPL) reflects the Lowest Replaceable Units (LRUs) for NG premium car door operator Module, GLIDE™P.

**Leaflet Revisions**

<b>Date Revised</b>	<b>Subject Matter Expert</b>	<b>Reason for Revision</b>
December 3, 2009	JungSam Kim, JinKoo Lee and ByeongSam Yoo	New SPL
February 10, 2012	JungSam Kim and JinKoo Lee	Updated SPL based on NSAA SIT review

**Related Drawings**

<b>Drawing No.</b>	<b>Title</b>
KAA24360AAG	Door Operator, Center Opening, 2 Motor, 2 Coupler
KAA24392AAQ	Coupler Arrangement, Center Opening, 2 Coupler
KAA24360AAL	Door Controller, For NGPOK

**Related Documents**

<b>Document ID</b>	<b>Title</b>
SPL 23-KAA24360AAG	Door Operator, Center Opening, 2 Motor, 2 Coupler
SPL 24-KAA24392AAQ	Coupler Arrangement, Center Opening, 2 Coupler
SPL 10-KAA24360AAL	Door Controller, For NGPOK
SPL 23-AAA24476ZA	NGPOK Door Operator System, Center Opening

**Subject Matter Expert**

<b>Name</b>	<b>Department</b>
Peter Kelley	OSC Service Engineering

**About Spare Parts Leaflets...**

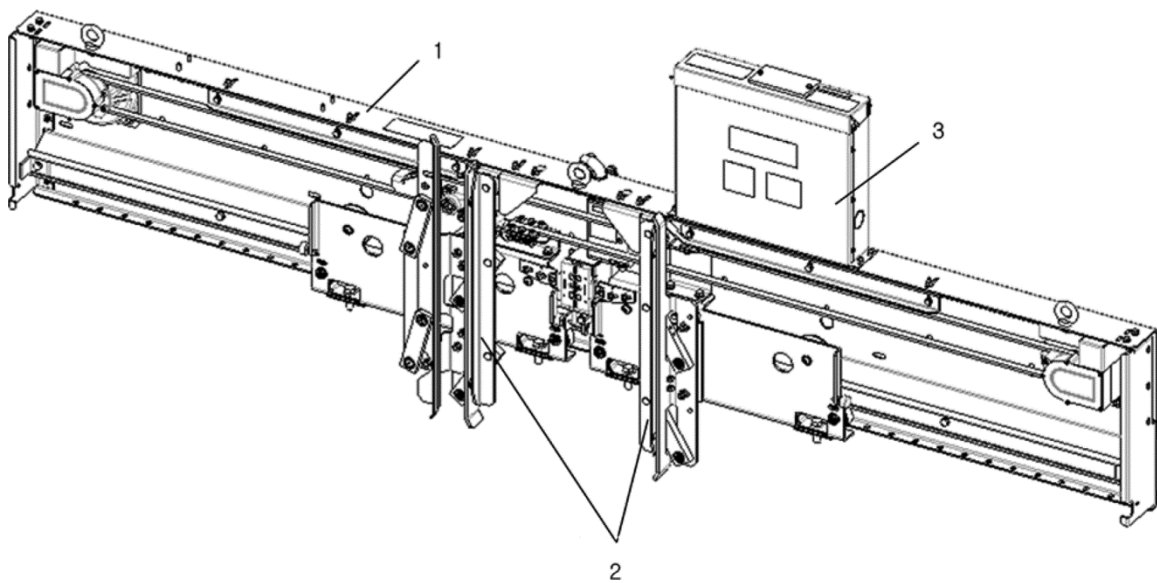
This document lists the lowest replaceable units (LRUs) for the standard version of the product. The LRUs are chosen by a team of Otis associates representing engineering and manufacturing.

While goal of this document is to make parts identification as easy as possible, the document cannot be all-inclusive. Elevator and escalator contracts classified as "special" or "custom" are not addressed here. For such contracts, please refer to specified information, the contract folder, TIPs, Field Education Articles, Construction Letters, etc. for further information.

If you have any suggestions about this document, please contact the subject matter expert listed on this page.

# Car Door Operator Module, GLIPE® P

**23-KAA24360AAQ**



Ref. No.	DESCRIPTION
1	Door Operator, Center-Opening, 2-Motor, 2-Coupler, See SPL 23-KAA24360AAG
2	Coupler Arrangement, Center-Opening, 2-Coupler, See SPL 24-KAA24392AAQ
3	Door Controller, See SPL 10-KAA24360AAL