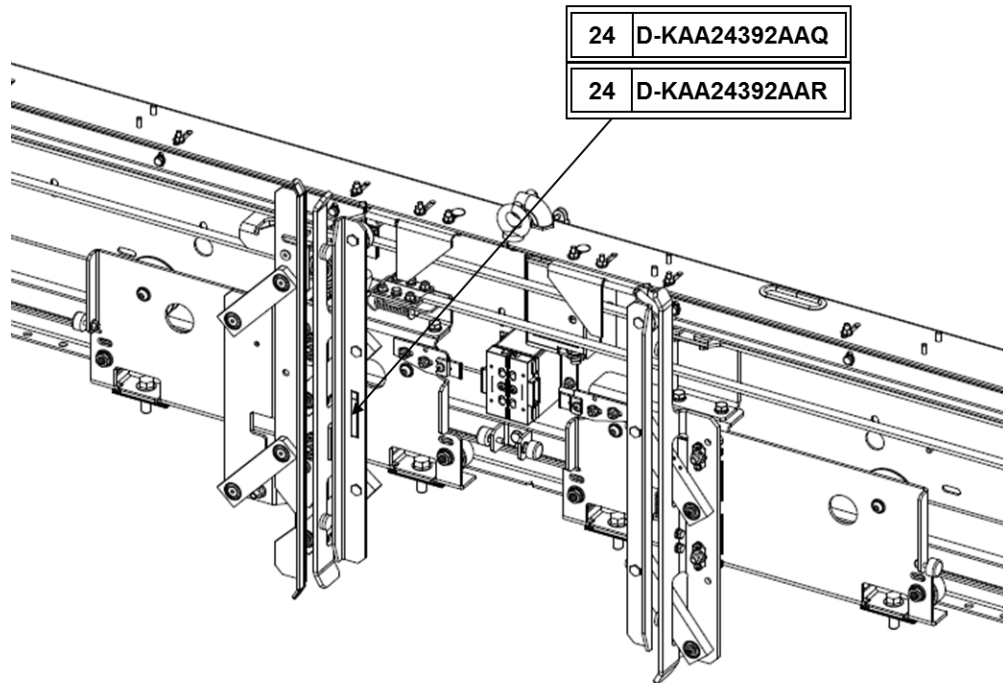


**Coupler Arrangement  
2 Coupler and 1 Coupler  
Glide® P/E System**

**Spare Parts Leaflet  
24-KAA24392AAQ**

**November 09, 2018 / Page 1 of 13**



Unpublished Work—© Otis Elevator Co.; 2014

**OTIS**

This document contains  
technical information  
subject to  
EAR. ECCN=EAR99

**SERVICE ENGINEERING  
Otis Elevator Company  
Bloomfield, Connecticut USA**

# History

**24-KAA24392AAQ**

## Leaflet Description

This Spare Parts Leaflet (SPL) reflects the Lowest Replaceable Units (LRUs) for Coupler and Deterrent of NG premium car door operator, GLIDE P.

## Leaflet Revisions

Date Revised	Subject Matter Expert	Reason for Revision
December 3, 2009	JungSam Kim, JinKoo Lee and ByeongSam Yoo	New SPL
February 10, 2012	JungSam Kim and JinKoo Lee	Updated SPL based on NSAA SIT review
May 11, 2012	JungSam Kim and JinKoo Lee	Updated SPL based on NAA OSC review
September 20, 2012	JungSam Kim and JinKoo Lee	Updated SPL based on NAA OSC review
April 23, 2014	JungSam Kim and Brian Regan	Updated SPL based on NAA OSC review
October 21, 2015	JungSam Kim and Brian Regan	Updated SPL, complying for ASME A17.1-2013
November 14, 2016	JungSam Kim and Brian Regan	Updated SPL of Roller service kit (page 7)
November 09, 2018	JongKon Bae and JungSam Kim	Updated SPL for EN 81-20 and Different landing floor height
Dec 09, 2022	Joseph Yang and Brian Regan	Updated SPL to cover Glide-E door
July 17, 2024	Tang Jian Liang	Update Page 12-13 picture part No. of 2 and 3.

## Related Drawings

Drawing No.	Title		
KAA24392AAQ	Coupler Arrangement, Center Opening, 2 Coupler	KAA24392AAR	Coupler Arrangement, Center Opening, 1 Coupler
KAA24392AAN	Coupler W / Deterrent	KAA24392AAP	Coupler Assembly (LH / RH)
KAA24392AAM	Evacuation Deterrent	KAA509AAM	Hook, Deterrent Hook
KAA255ABZ	Shim, Coupler Shim	KAA255AAC	Shim, Deterrent Shim

## Related Documents

Document ID	Title
SPL 23-KAA24360AAQ	Car Door Operator Module, Center Opening, 2 Coupler
SPL 23-KAA24360AAR	Car Door Operator Module, Center Opening, 1 Coupler
SPL 23-WAA24350A	Glide-E Car Door Operator

## Subject Matter Expert

Name	Department
Tang Jian Liang	

### About Spare Parts Leaflets...

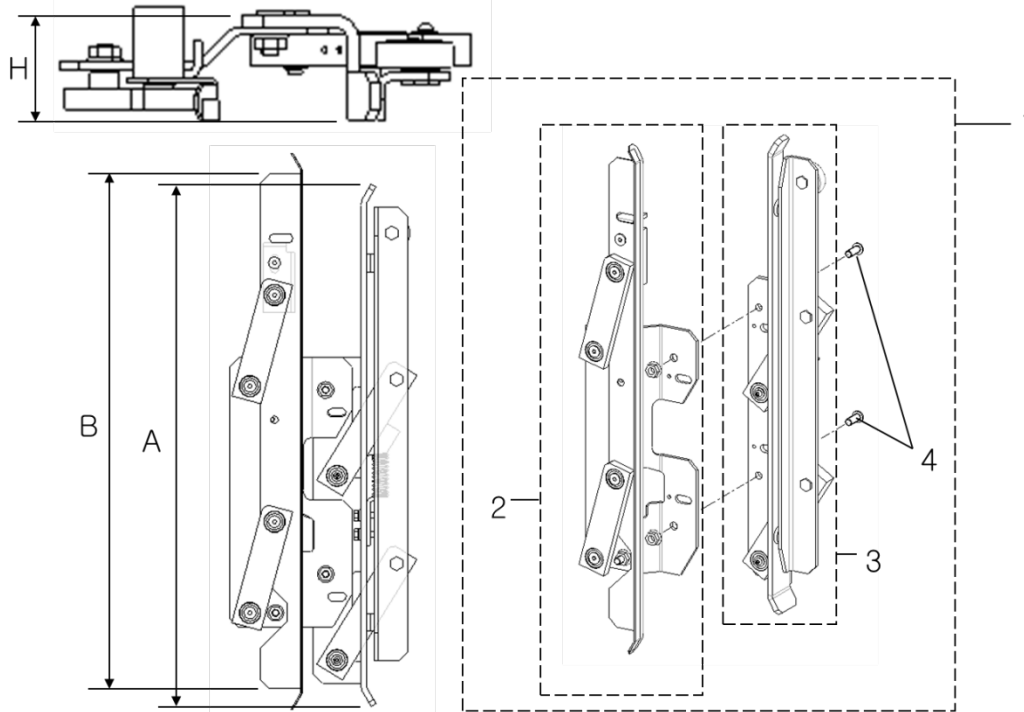
This document lists the lowest replaceable units (LRUs) for the standard version of the product. The LRUs are chosen by a team of Otis associates representing engineering and manufacturing.

While goal of this document is to make parts identification as easy as possible, the document cannot be all-inclusive. Elevator and escalator contracts classified as “special” or “custom” are not addressed here. For such contracts, please refer to specified information, the contract folder, TIPs, Field Education Articles, Construction Letters, etc. for further information.



If you have any suggestions about this document, please contact the subject matter expert listed on this page.

# Coupler W/Deterrent, Glide P

**24-KAA24392AAQ**

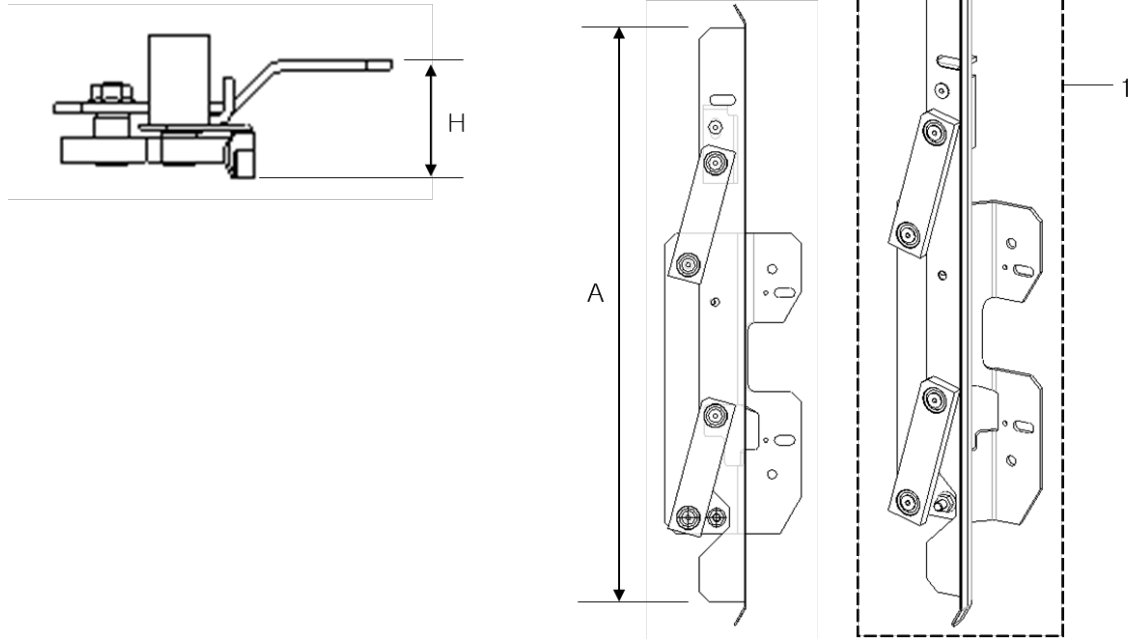




**KAA24392AAQ**  
**KAA24392AAR**

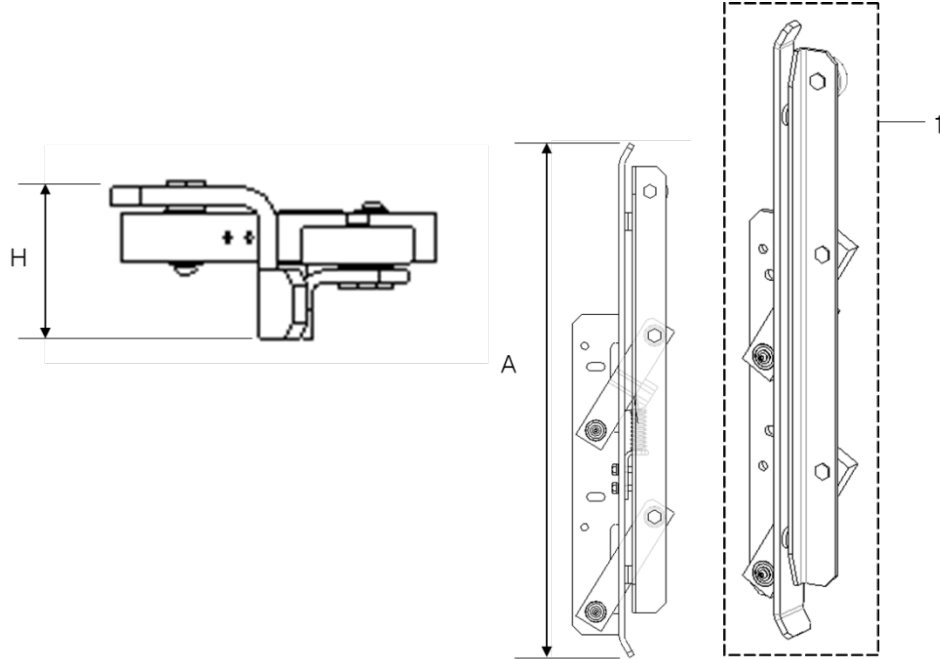
REF. No.	PART No.	DESCRIPTION	H (mm/in)	A (mm/in)	B (mm/in)	HAND	Notes		
1	KAA24392AAN1	Coupler W/Deterrent, Center Opening	48/1.89"	553/22.7"	545/21.5"		<b>18" Unlocking Zone : A17.1-2010 and earlier</b>		
	KAA24392AAN2		51/2.01"						
	KAA24392AAN3		56/2.20"						
	KAA24392AAN4		58/2.28"						
	KAA24392AAN5		48/1.89"	643/25.3"	630/24.8"				
	KAA24392AAN6		51/2.01"						
	KAA24392AAN7		56/2.20"						
	KAA24392AAN8		58/2.28"						
	KAA24392AAN11	Coupler W/Deterrent, Center Opening	48/1.89"	312/12.3"	350/13.8"				
	KAA24392AAN12		51/2.01"						
	KAA24392AAN13		56/2.20"						
	KAA24392AAN14		58/2.28"						
	2	---	Evacuation Deterrent, See page 6						
	3	---	Coupler Assembly, See page 7, 8						
4	KAA65ABY1	Hexagon Socket Head Screw with Special Low Head (M8x20)							



# Evacuation Deterrent, Glide P

**24-KAA24392AAQ**



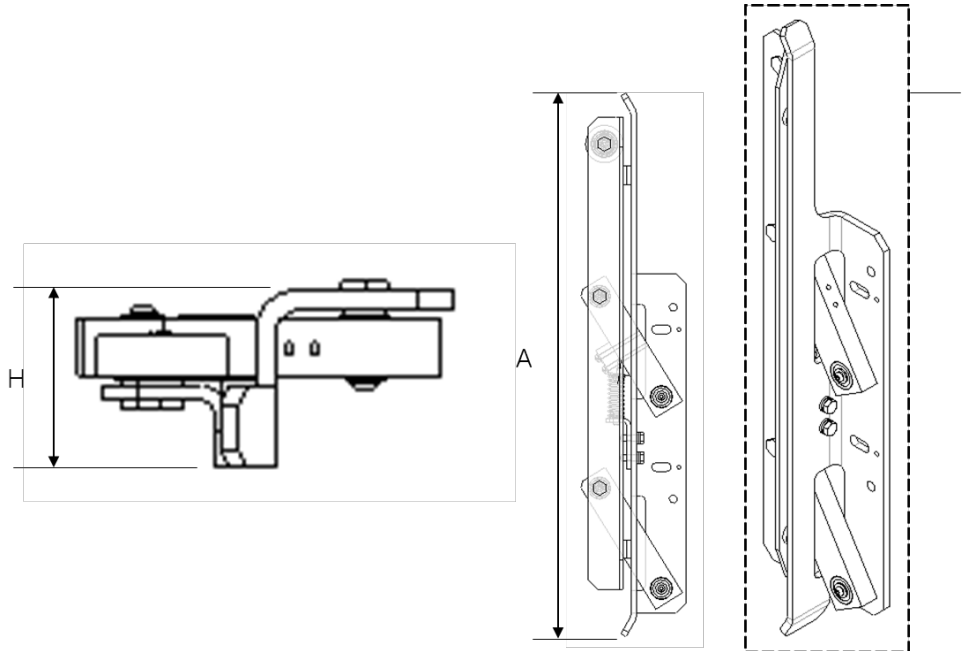
KAA24392AAQ KAA24392AAR							
REF. No.	PART No.	DESCRIPTION	H mm/in	A mm/in	HAND	Notes	
1	KAA24392AAM1	Evacuation Deterrent	42/1.65"	545/21.5"		<b>18" Unlocking Zone : A17.1-2010 and earlier</b>	
	KAA24392AAM2		45/1.77"				
	KAA24392AAM3		50/1.97"				
	KAA24392AAM4		52/2.05"				
	KAA24392AAM5		42/1.65"	630/24.8"			
	KAA24392AAM6		45/1.77"				
	KAA24392AAM7		50/1.97"				
	KAA24392AAM8		52/2.05"				
	KAA24392AAM11	Evacuation Deterrent	42/1.65"	350/13.8"			<b>7" Unlocking Zone : A17.1-2013 and later</b>
	KAA24392AAM12		45/1.77"				
	KAA24392AAM13		50/1.97"				
	KAA24392AAM14		52/2.05"				





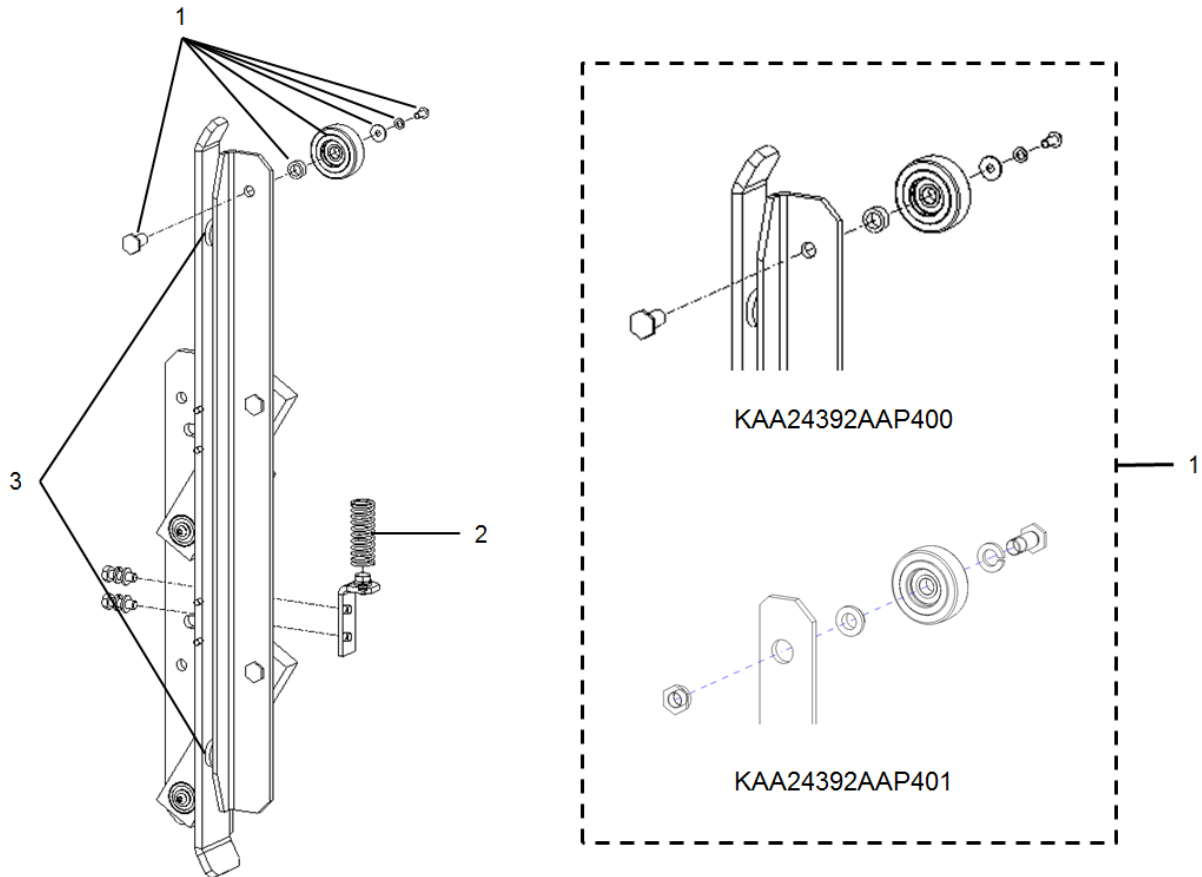
<b>KAA24392AAQ KAA24392AAR</b>						
<b>REF. No.</b>	<b>PART No.</b>	<b>DESCRIPTION</b>	<b>H mm/in</b>	<b>A mm/in</b>	<b>HAND</b>	<b>Notes</b>
1	KAA24392AAP1	Coupler Assembly Center Opening	48/1.89"	553/21.8"		<b>18" Unlocking Zone : A17.1-2010 and earlier</b>
	KAA24392AAP2		51/2.01"			
	KAA24392AAP3		56/2.20"			
	KAA24392AAP4		58/2.28"			
	KAA24392AAP5		48/1.89"	643/25.3"		
	KAA24392AAP6		51/2.01"			
	KAA24392AAP7		56/2.20"			
	KAA24392AAP8		58/2.28"			
	KAA24392AAP11	Coupler Assembly Center Opening	48/1.89"	312/12.3"		
	KAA24392AAP12		51/2.01"			
	KAA24392AAP13		56/2.20"			
	KAA24392AAP14		58/2.28"			

# Coupler Assembly, Glide P

**24-KAA24392AAQ**



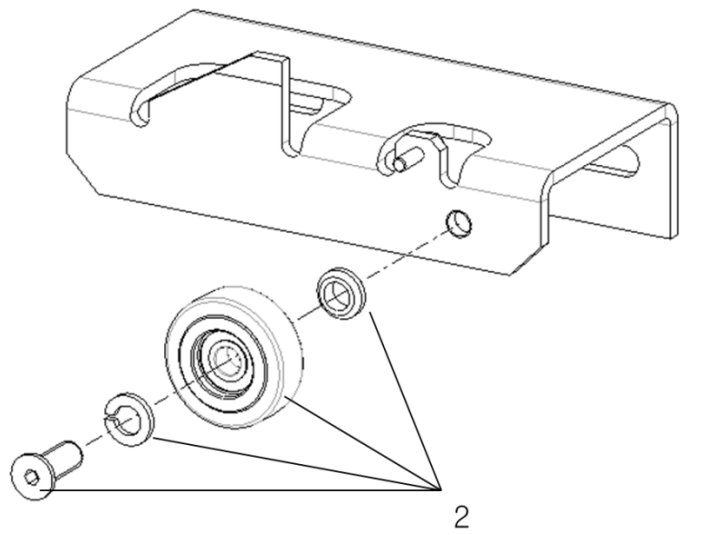
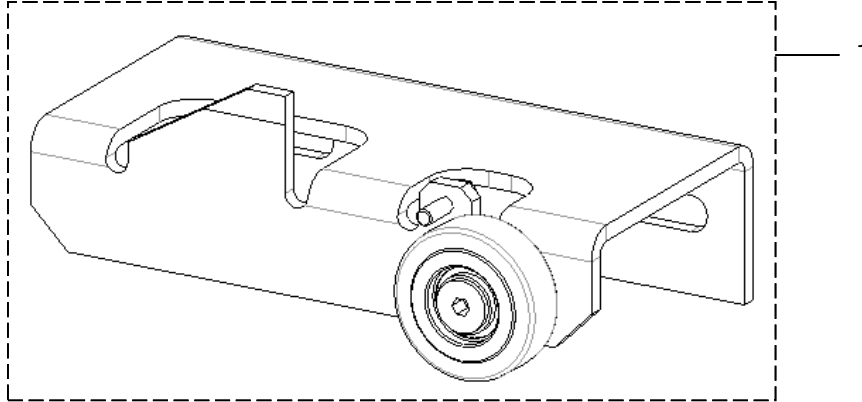
KAA24392AAQ						
REF. No.	PART No.	DESCRIPTION	H mm/in	A mm/in	HAND	Notes
1	KAA24392AAP101	Coupler Assembly Center Opening, 2 Coupler	48/1.89"	553/21.8"		<b>18" Unlocking Zone : A17.1-2010 and earlier</b>
	KAA24392AAP102		51/2.01"			
	KAA24392AAP103		56/2.20"			
	KAA24392AAP104		58/2.28"			
	KAA24392AAP105		48/1.89"	643/25.3"		
	KAA24392AAP106		51/2.01"			
	KAA24392AAP107		56/2.20"			
	KAA24392AAP108		58/2.28"			
	KAA24392AAP111	Coupler Assembly Center Opening, 2 Coupler	48/1.89"	312/12.3"		<b>7" Unlocking Zone : A17.1-2013 and later</b>
	KAA24392AAP112		51/2.01"			
	KAA24392AAP113		56/2.20"			
	KAA24392AAP114		58/2.28"			



<b>KAA24392AAQ KAA24392AAR</b>		
REF. No.	PART No.	DESCRIPTION
1	KAA24392AAP400	Service Kit, Roller
	KAA24392AAP401	Service Kit, Roller
2	KAA90AAH1	Spring
3	KAA320ABD1	Bumper, See Note

Note: Apply Bumper with Loctite 401

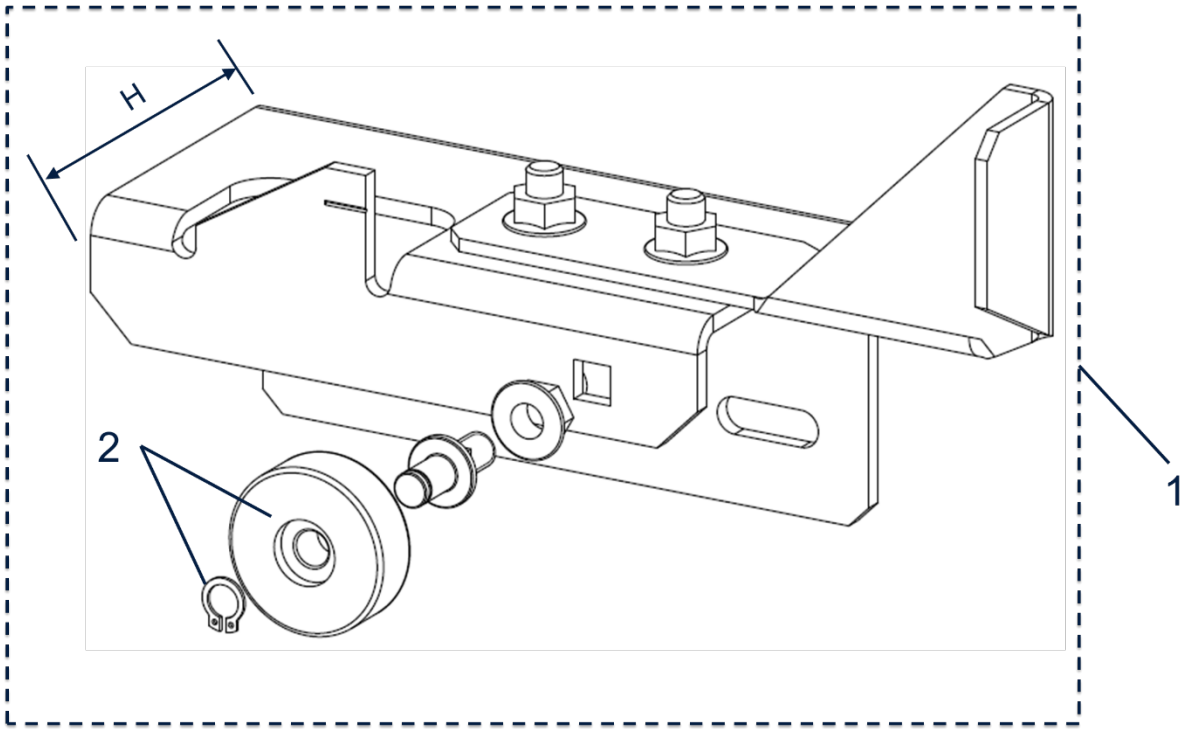




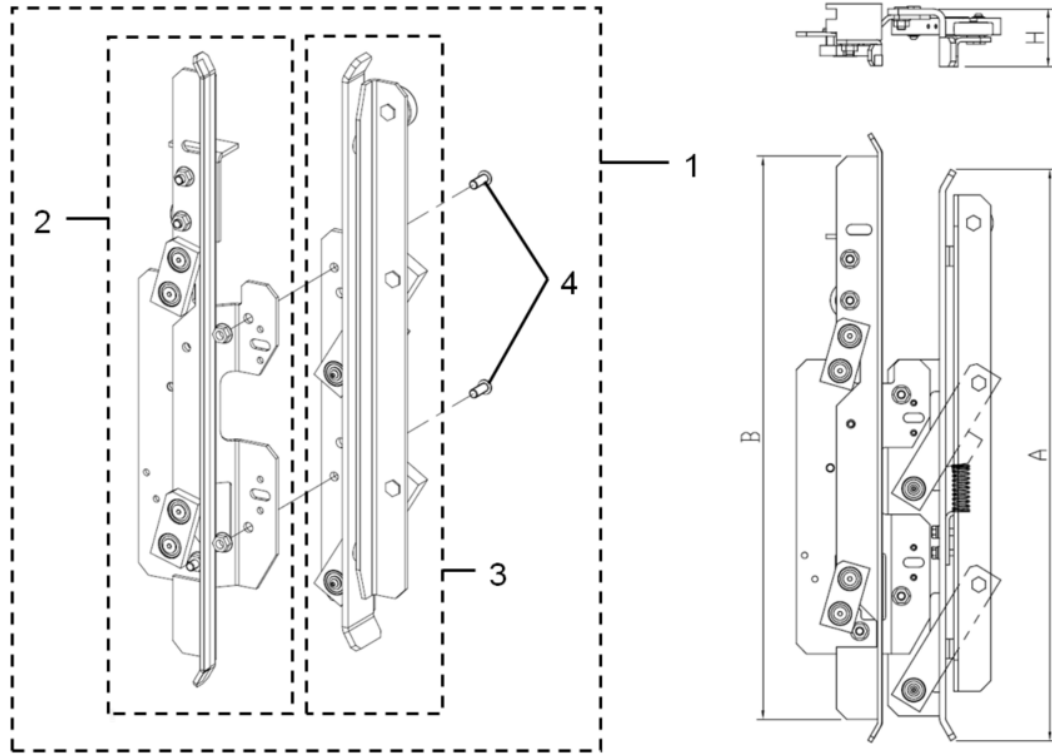
REF. No.	PART No.	DESCRIPTION
	<b>KAA24392AAQ</b> <b>KAA24392AAR</b>	
1	KAA509AAM1	Hook, Deterrent Hook
2	KAA509AAM400	Service Kit, Roller

# Hook, Glide E

**24-KAA24392AAQ**



KAA24392AAQ KAA24392AAN		Right Hand Shown		
REF. No.	PART No.	DESCRIPTION	Door type	H mm/in
1	WAA509B1	Hook, Deterrent Hook	Glide E CO/SS-RH	77.5/3.1"
	WAA509B2		Glide E TLD-RH	100.5/4"
	WAA509B3		Glide E CO/SS-LH	77.5/3.1"
	WAA509B4		Glide E TLD-LH	100.5/4"
2	WAA509B400	Service Kit, Roller	All	---

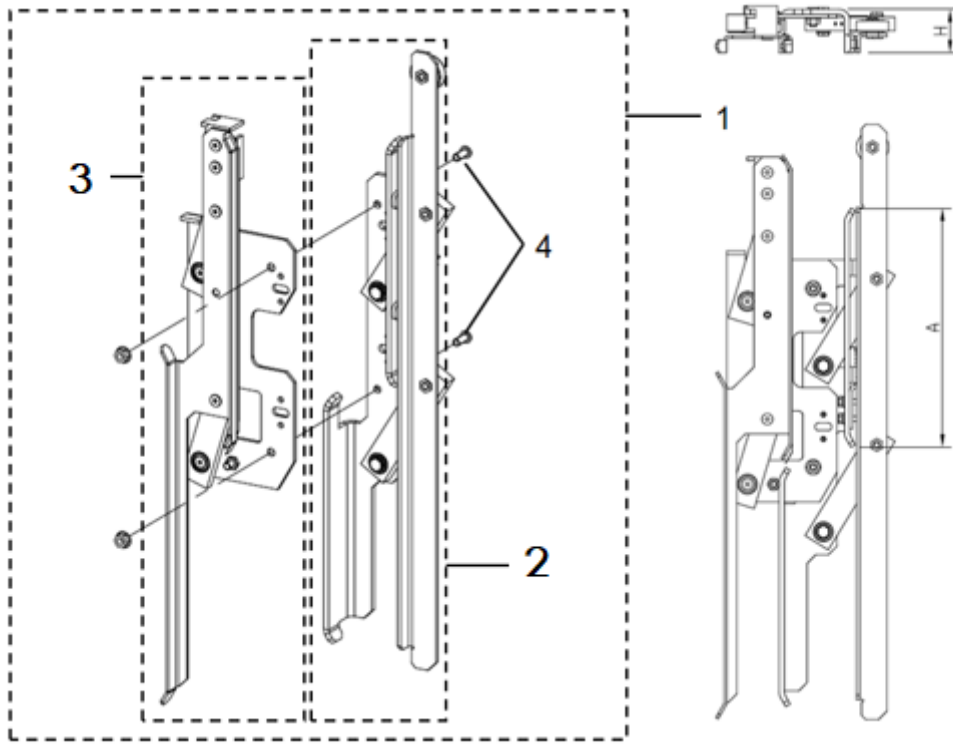


**KAA24392AAQ  
KAA24392AAR**





REF. No.	PART No.	DESCRIPTION	H (mm/in)	A (mm/in)	B (mm/in)	HAND	Notes
1	KAA24392AAN51	Coupler W/Deterrent, Center Opening	56/2.20"	553 /22.7"	545 /21.5"		<b>18" Unlocking Zone : EN81-20</b>
	KAA24392AAN151		56/2.20"	553 /22.7"	545 /21.5"		
2	KAA24392AAM51	Evacuation Deterrent	---	---	545 /21.5"		
	KAA24392AAM151		---	---	545 /21.5"		
3	KAA24392AAP3	Coupler Assembly Center Opening	56/2.20"	553 /22.7"	---		
	KAA24392AAP103	Coupler Assembly Center Opening, 2 Coupler	56/2.20"	553 /22.7"	---		
4	KAA65ABY1	Hexagon Socket Head Screw with Special Low Head (M8x20)					

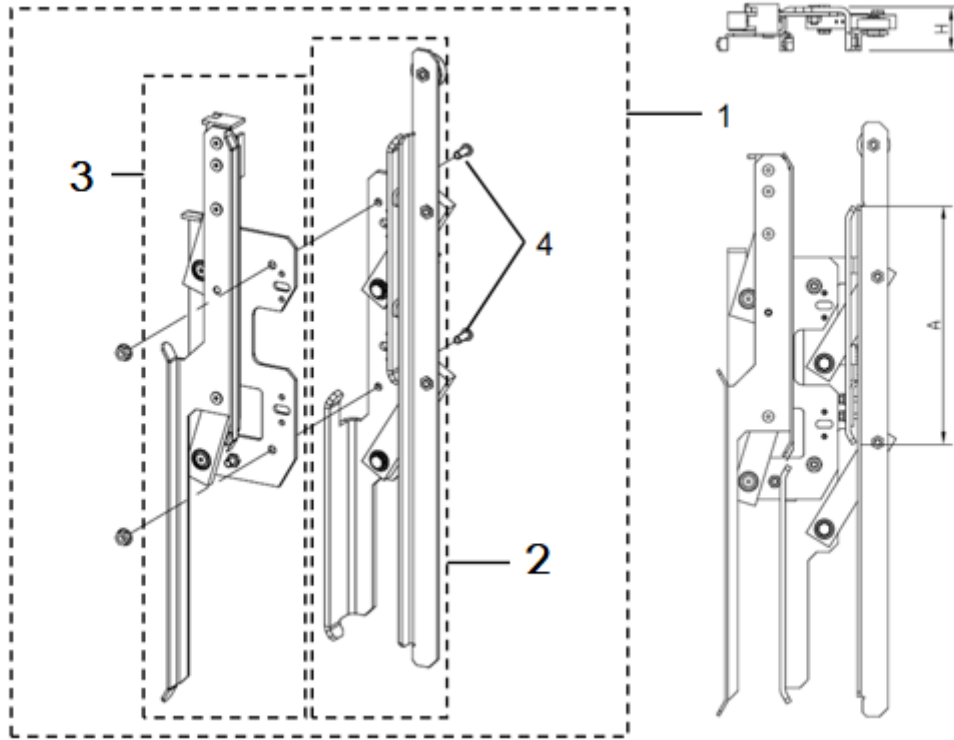
# Coupler W/Deterrent, Glide P

**24-KAA24392AAQ**





**KAA24392AAQ  
KAA24392AAR**

REF. No.	PART No.	DESCRIPTION	H (mm/in)	A (mm/in)	RC	HAND	Notes
1	KAA24392AAN61	Coupler W/Deterrent, Center Opening	48/1.89"	281/11.1"	20		<b>7" Unlocking Zone : A17.1-2013 and later (Different Height Landing Door)</b>
	KAA24392AAN62		51/2.01"		25		
	KAA24392AAN63		56/2.20"		30		
	KAA24392AAN64		58/2.28"		32		
	KAA24392AAN161	Coupler W/Deterrent, Center Opening	48/1.89"	281/11.1"	20		
	KAA24392AAN162		51/2.01"		25		
	KAA24392AAN163		56/2.20"		30		
	KAA24392AAN164		58/2.28"		32		
2	KAA24392AAP21	Evacuation Deterrent	---	---	20		<b>7" Unlocking Zone : A17.1-2013 and later (Different Height Landing Door)</b>
	KAA24392AAP22		---	---	25		
	KAA24392AAP23		---	---	30		
	KAA24392AAP24		---	---	32		
	KAA24392AAP121		---	---	20		
	KAA24392AAP122		---	---	25		
	KAA24392AAP123		---	---	30		
	KAA24392AAP124		---	---	32		



**KAA24392AAQ  
KAA24392AAR**

REF. No.	PART No.	DESCRIPTION	H (mm/in)	A (mm/in)	RC	HAND	Notes
3	KAA24392AAM61	Coupler Assembly Center Opening	48/1.89"	281/11.1"	20		<b>7" Unlocking Zone : A17.1-2013 and later (Different Height Landing Door)</b>
	KAA24392AAM62		51/2.01"		25		
	KAA24392AAM63		56/2.20"		30		
	KAA24392AAM64		58/2.28"		32		
	KAA24392AAM161	Coupler Assembly Center Opening, 2 Coupler	48/1.89"	281/11.1"	20		
	KAA24392AAM162		51/2.01"		25		
	KAA24392AAM163		56/2.20"		30		
	KAA24392AAM164		58/2.28"		32		
4	KAA65ABY1	Hexagon Socket Head Screw with Special Low Head (M8x20)					