

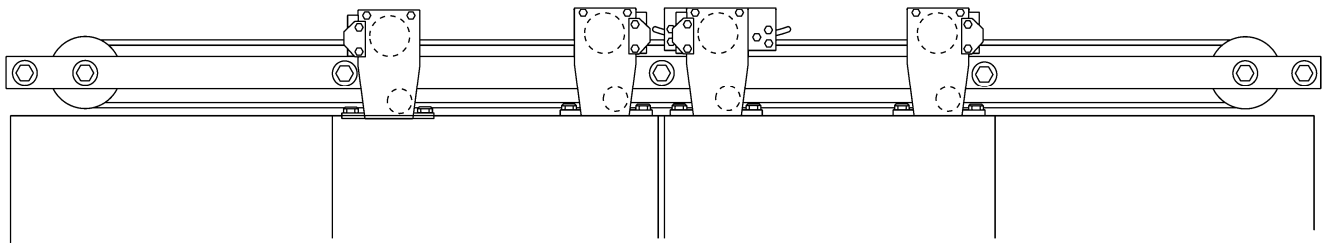
Applied Hanger Hoistway Door Systems
Center-Opening, Single-Slide
Two-Speed

Spare Parts Leaflet

25-7060A

June 1, 2000 / Page 1 of 11

**W/O
VINTAGE**



Center-Opening Doors Shown

OTIS

Safety First!

SERVICE ENGINEERING

Otis Elevator Company
Bloomfield, Connecticut USA

History
25-7060A
First Published: June 1, 2000

Applied Hanger Hoistway Door Systems

REVISED DATE	RESPONSIBLE ENGINEER	PRIMARY REASON FOR REVISION
June 1, 2000	Duane Stupienski	Spare parts information, new leaflet

Leaflet Description


This leaflet covers applied door hangers, aircord drive parts, and related parts for Otis-installed units having vendor hoistway door panels from 1959 through the mid 1960s. Contemporary applied hangers of similar but slightly later designs were the 7087A cast iron hanger types. Drawings in the series of A6920BA-BH and later record changes depicted the 7087 applied hanger types. Approximate implementation date for 7087 hangers was in 1963.

RELATED LEAFLET NUMBERS	TITLES
---	---

DRAWING REFERENCES	
6920BA	7060A
6920BB	7060B
6920BC	7060C
6920BD	6178W
6920BE	50ADF
6929BF	A385HJ
6920BG	402EG
6929BH	402EH

RELATED DOCUMENT NUMBERS	TITLES
25-7087A	Type 7087 Applied Hanger Bracket

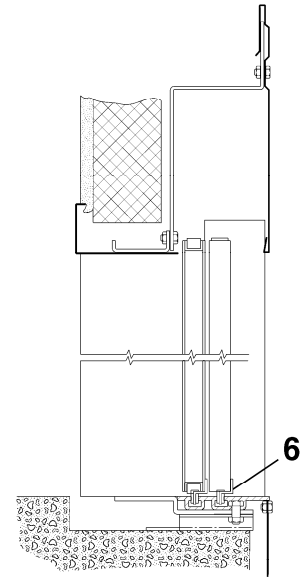
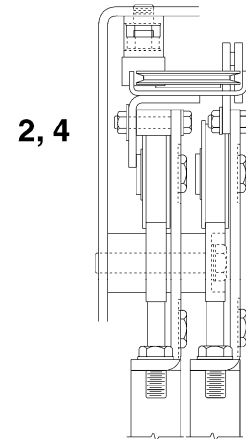
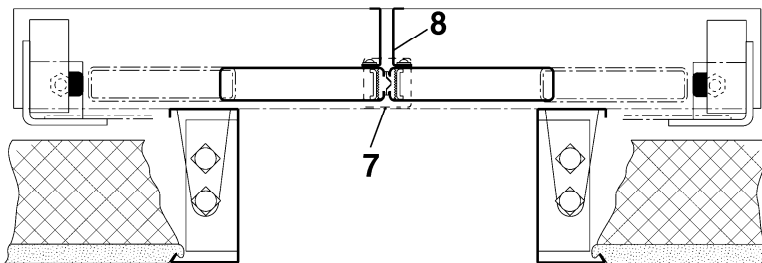
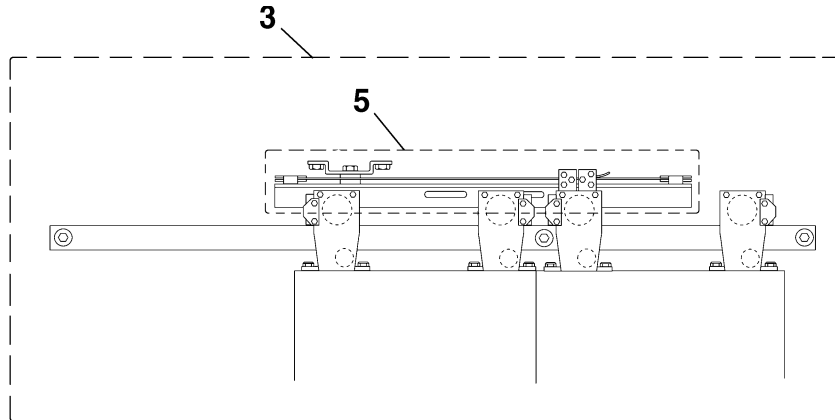
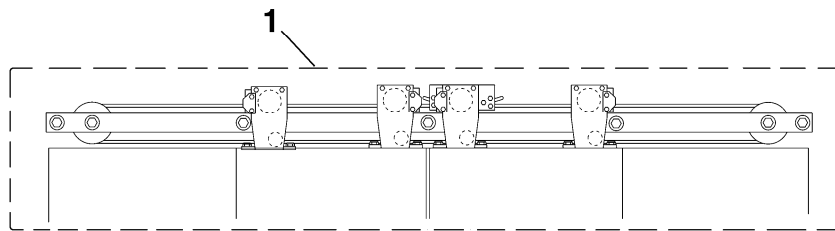
This Spare Parts Leaflet (SPL) is prepared to assist you in determining the Lowest Replaceable Units (LRU) supported by the Otis Service Center for the standard version of the product titled on the preceding page. The parts are chosen by Otis associates from: Engineering, Field Engineering, Service Engineering, and Manufacturing. We attempt to make part identification as easy as possible. The SPL, however, cannot be all inclusive. Elevator and escalator contracts classified as either "special" or "custom" are not addressed. Alternative sources of information such as: the Contract Folder, Technical Information Publications, Field Education Articles, Construction Letters, etc. may give the information you are after. You live in the real world of maintaining your elevator and escalator contracts. On a daily basis, situations arise regarding parts identification and at times, for some reason, the part you need is not in the SPL. If you think a standard part not listed should be—let us know. We will respond.











Duane Stupienski—OSC Service Engineering

Table of Contents

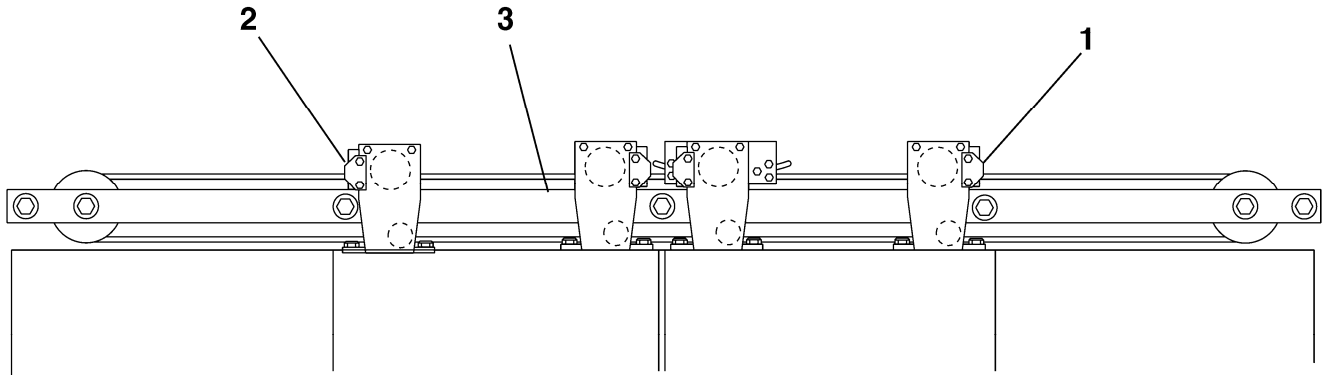
25-7060A



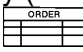


REF. NO.	PAGE	DESCRIPTION
1	 p. 4	Type 483LJ Center-Opening & Single-Slide Hoistway Door Header/Track Assembly
2	 p. 5	Center-Opening & Single-Slide Hoistway Door Header/Track, Hangers & Relating Cable Components
3	 p. 6	Type 483LJ Two-Speed Hoistway Door Header/Track Assembly
4	 p. 7	Two-Speed Hoistway Door Header/Track, Hangers & Aircord Drive Components
5	 p. 8	Aircord Drive Assembly, Two-Speed
6	 p. 9	Type A385HJ Door Guide Assembly
7	 p. 10	Center-Opening Hoistway Door Astragals
8	 p. 11	Type 384JM Sight Guard

Type 483LJ Center-Opening & Single Slide Hoistway Door Header/Track Assembly

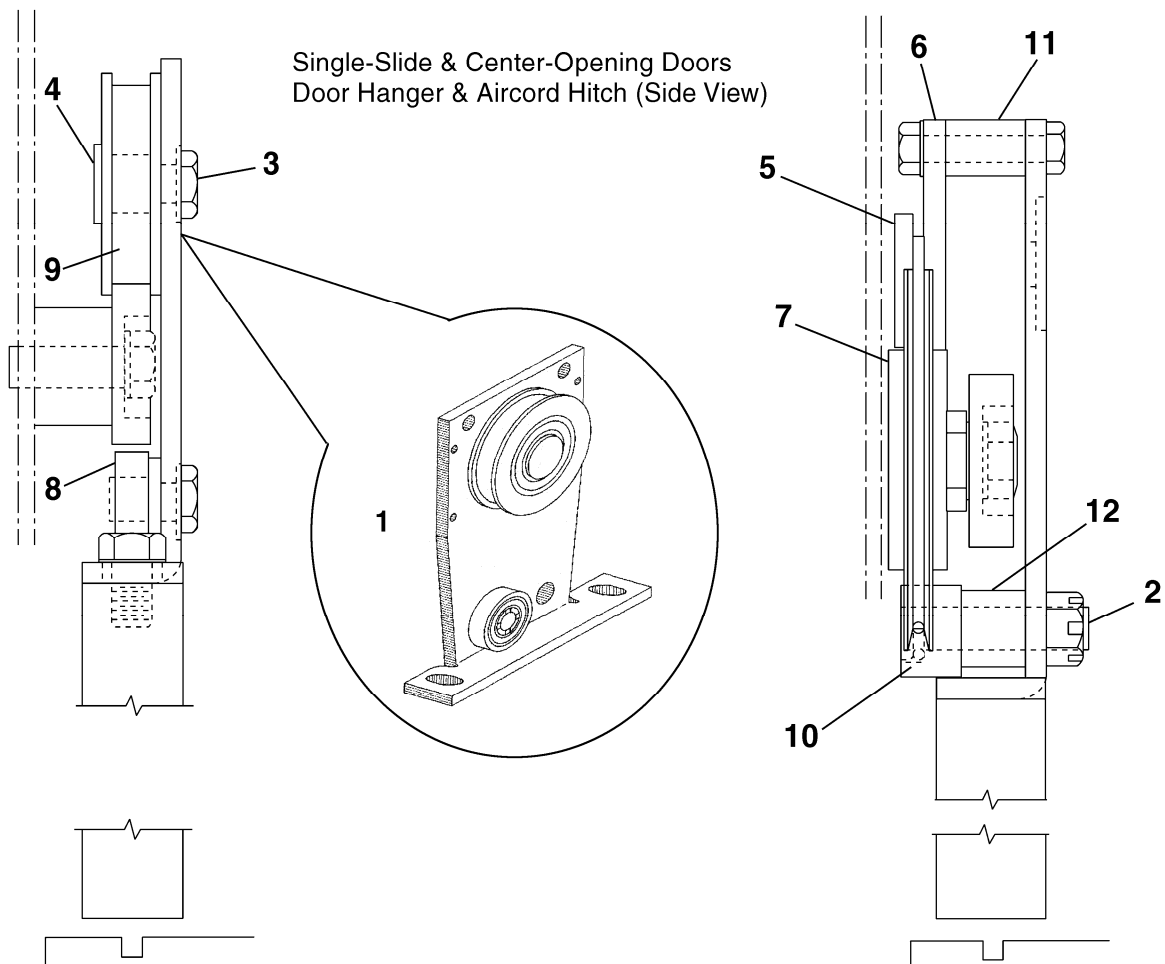
Center-Opening Doors
Door View



REF. NO.	W/O VINTAGE PART or ML	DESCRIPTION	L (in.)
1	180AT2	Lubricator, Holder 	---
2	180AT3	Lubricator, Holder 	---
3	483LJ11	Track, Center-Opening & Single-Slide Hoistway Door	72.5
	483LJ12		78.5
	483LJ13	Track, Center-Opening Hoistway Door	84.5
	483LJ14		90.5
	483LJ15		96.5
		50ADF1-162	Track, Shape Only (Field to Cut & Drill as Needed). If Specific Track Is Desired,  483LJ Type

Center-Opening & Single-Slide Hoistway Door Header/Track, Hangers & Relating Cable Components

25-7060A

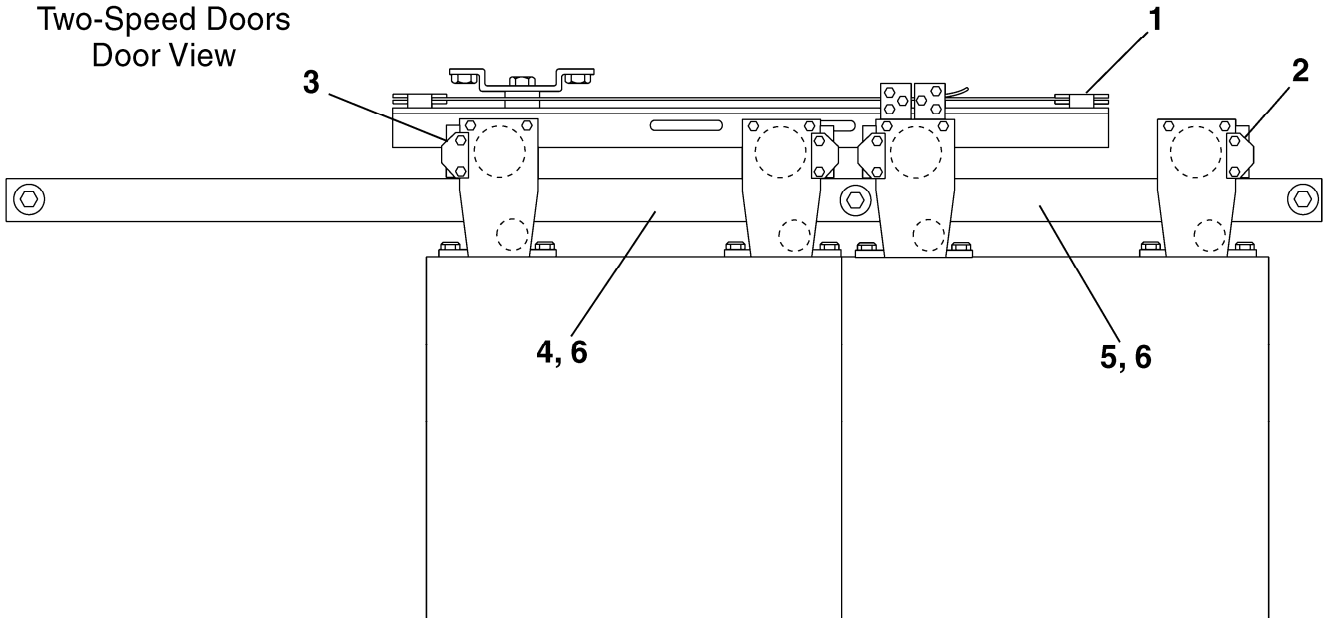


REF. NO.	W/O VINTAGE PART or ML	DESCRIPTION
1	389J2	Bracket, Hanger (steel construction)
2	124CH2	Bolt, Aircord Hitch
3	72AF2	Nut
4	77RK1	Pin, Eccentric
5	298FK1	Plates, Clamp
6	299VY2	Plate, Hitch
7	265BK2	Pulley, Aircord
8	207Z4	Roller (Bearing), Upthrust
9	456CC1	Roller, Steel
	456CC2	Roller, Poly Tire
10	231D1	Socket, Aircord Hitch
11	462HA52	Spacer, 5/8 x 7/8
12	462HA58	Spacer, 7/8 x 11/16

25-7060A

Type 483LJ Two-Speed Hoistway Door Header/Track Assembly

Two-Speed Doors
Door View

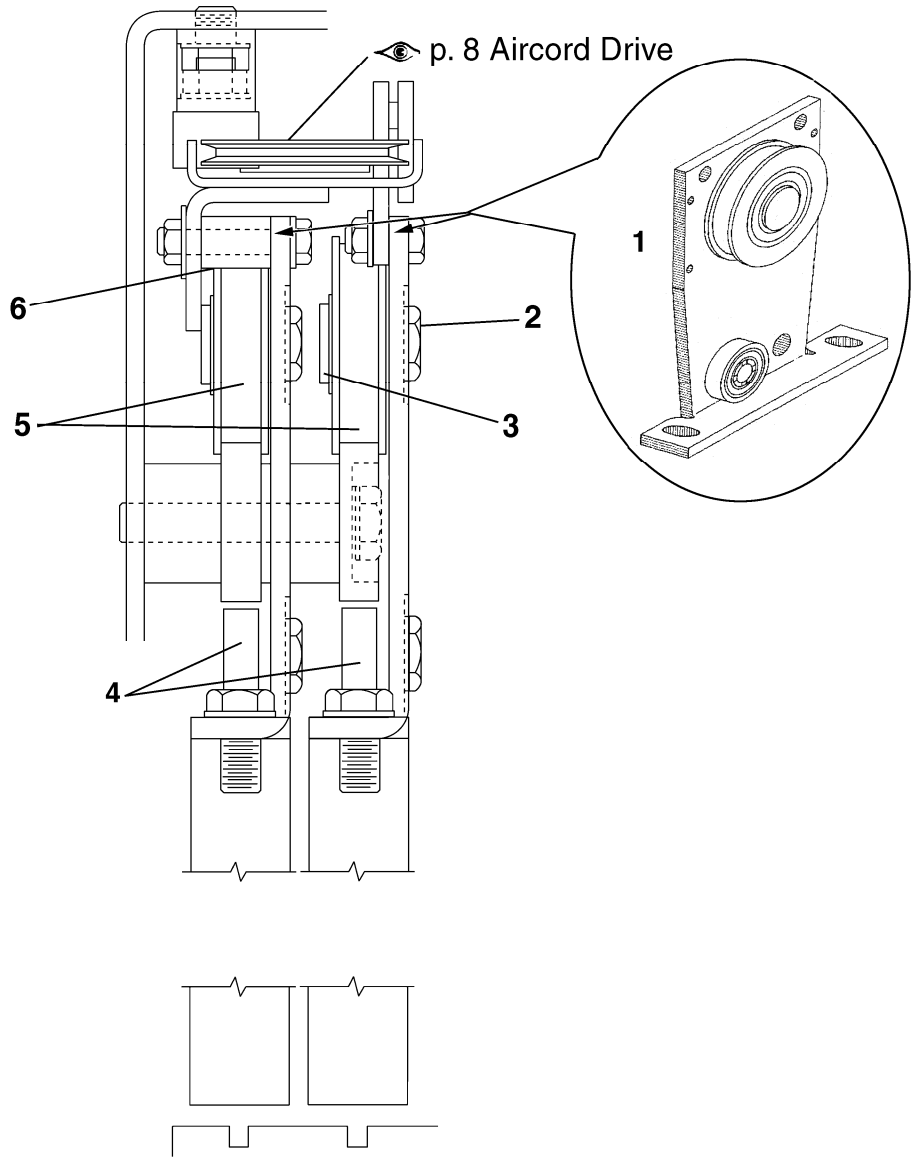


W/O VINTAGE						
REF. NO.	PART or ML	DESCRIPTION	L (in.)			
1	Type 6178W	Assembly, Aircord Drive, Detail p. 8	---			
2	180AT2	Lubricator, Holder	---			
3	180AT3	Lubricator, Holder	---			
4	483LJ1	Track, Two-Speed Slow Hoistway Door	38.5			
	483LJ2		41.5			
	483LJ3		44.5			
	483LJ4		47.5			
	483LJ5		50.5			
5	483LJ6	Track, Two-Speed Fast Hoistway Door	55.5			
	483LJ7		60.5			
	483LJ8		64.5			
	483LJ9		69.5			
	483LJ10		73.5			
6	50ADF1-162	Track, Shape Only (Field to Cut & Drill as Needed). If Specific Track Is Desired, <table border="1" style="display: inline-table; vertical-align: middle;"><tr><td>ORDER</td></tr><tr><td> </td></tr><tr><td> </td></tr></table> Ref. 4 & 5	ORDER			
ORDER						

Two-Speed Hoistway Door Header/Track, Hangers & Aircord Drive Components

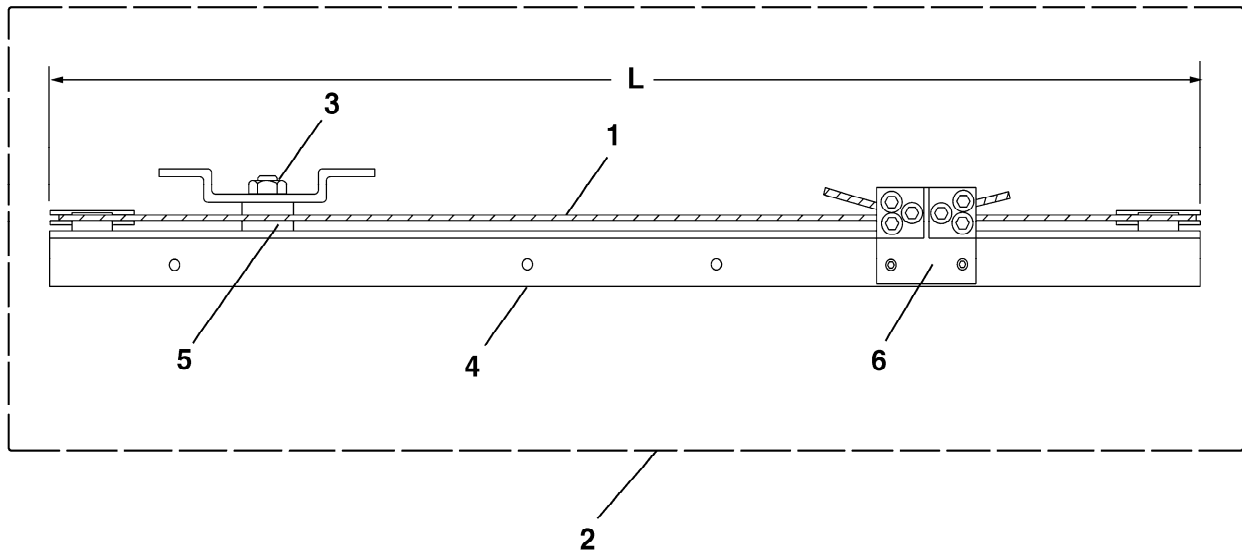
25-7060A

Two-Speed Doors
Side Hanger View



REF. NO.	W/O VINTAGE PART or ML	DESCRIPTION
1	389J2	Bracket, Hanger
2	72AF2	Nut
3	77RK1	Pin, Eccentric
4	207Z4	Roller (Bearing), Upthrust
5	456CC1	Roller, Steel
	456CC2	Roller, Poly Tire
6	462HA52	Spacer, 5/8 x 7/8

Type 6178W Aircord Drive Assembly

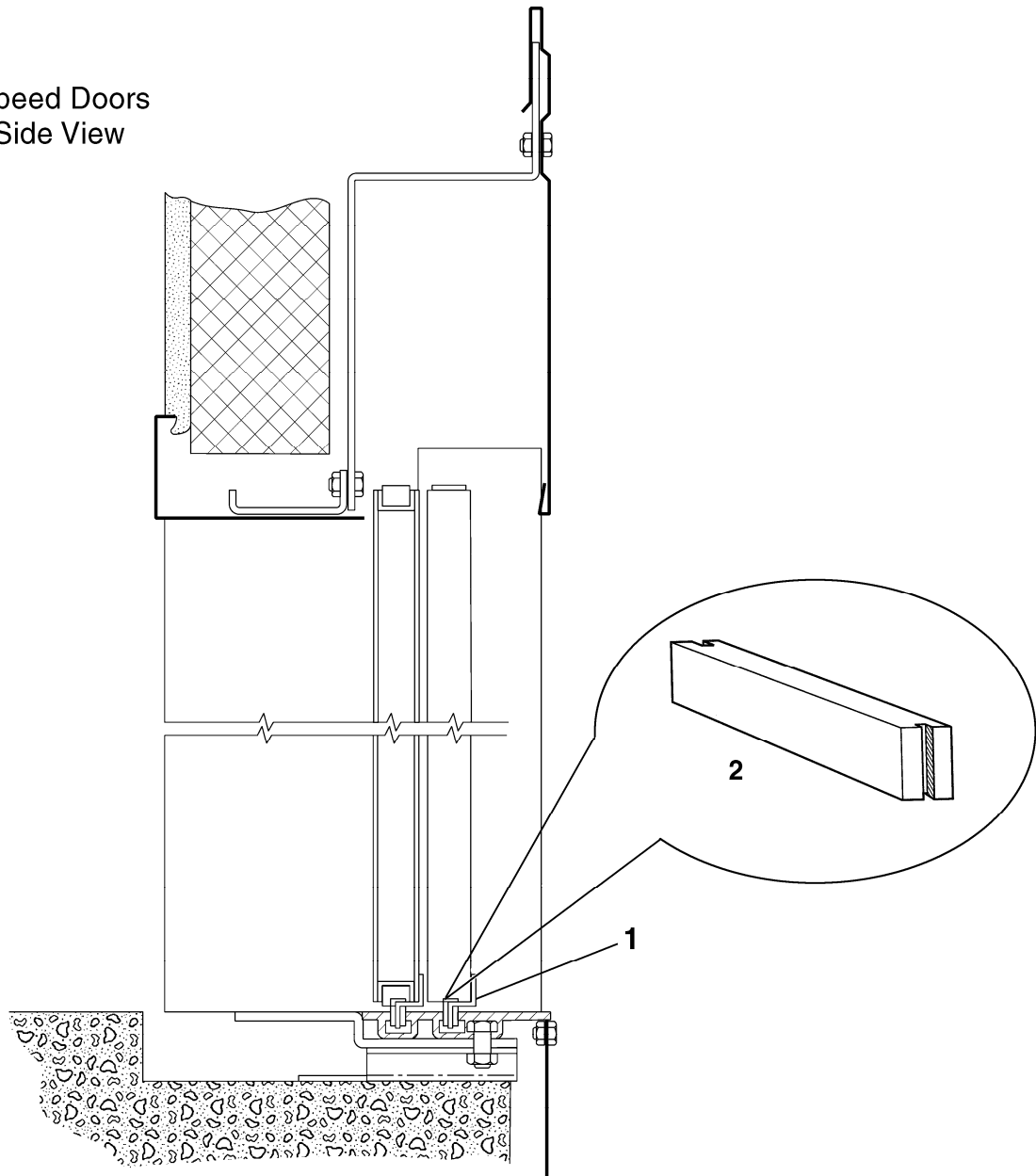


REF. NO.	W/O VINTAGE	DESCRIPTION
	PART or ML	
1	174AS6	Aircord (79.3 in. L)
	174AS995	Aircord, Order per Foot (non-standard contract conditions)
2	6178W4	Assembly, Aircord Drive, 34 in. to 48 in. Opening, (34.75 in. L)
3	124CH2	Bolt, Aircord Hitch
4	283BA4	Bracket
5	231D1	Socket, Rope
6	298HB1	Strip, Anchor

Type A385HJ Door Guide Bracket

25-7060A

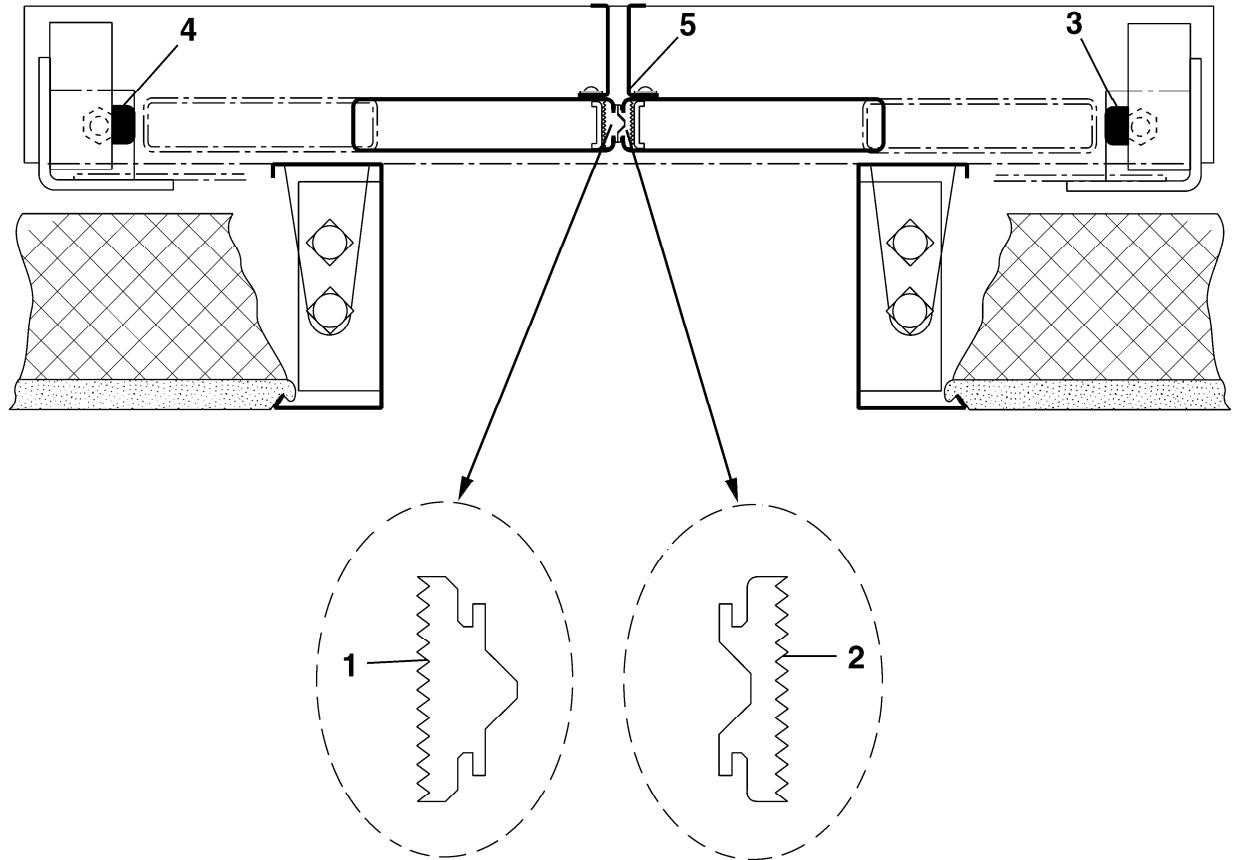
Two-Speed Doors
Full Side View



REF. NO.	W/O VINTAGE	DESCRIPTION	L (in.)
	PART or ML		
1	A385HJ1	Bracket, Bottom Door Guide	20
	A385HJ2		23
	A385HJ3		17
	A385HJ4		29
	A385HJ5		26
	A395HJ6		14
2	251AW1	Insert, Door Guide (slotted to fit bracket)	

Center-Opening Hoistway Door Astragals

Center-Opening Doors
Plan View

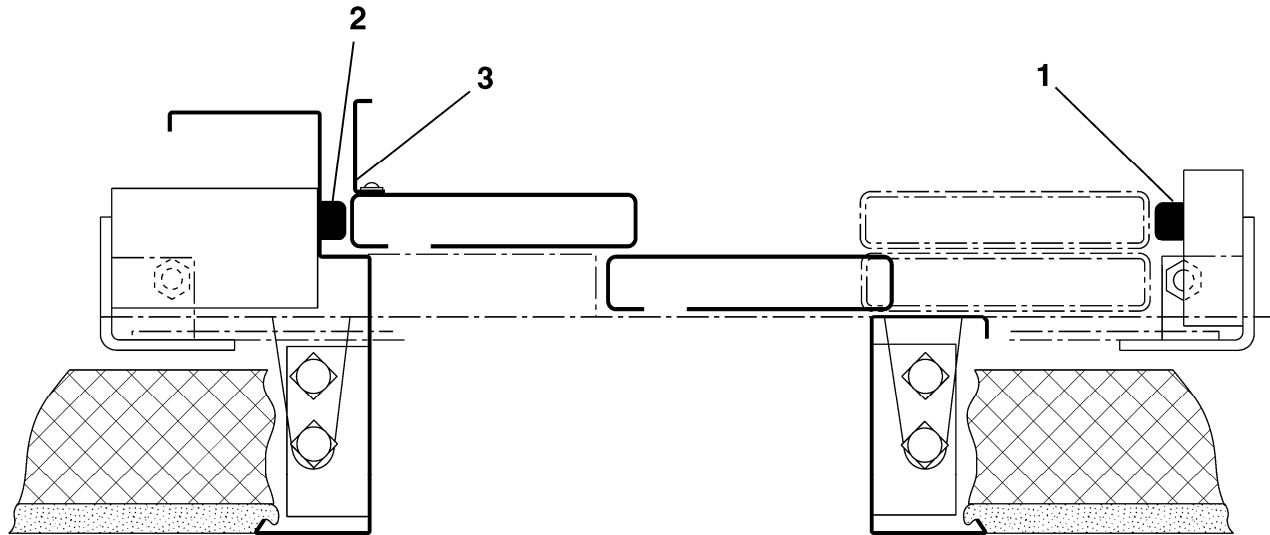


REF. NO.	W/O VINTAGE	
	PART or ML	DESCRIPTION
1	402EG1	Astragal, Male
2	402EH1	Astragal, Female
3	320AP1	Bumper, Return, Center-Opening & Single-Slide
4	320AP2	Bumper, Strike, Single-Slide
5	384JM3	Guard, Sight, Steel, 83.5 in. L, 2.06 in. W (8 Mounting Slots, 13.6 in. Spacing)
	384JM8	Guard, Sight, Steel, 83.5 in. L, 2.06 in. W (7 Mounting Slots, 16 in. Spacing)

Type 384JM Sight Guard

25-7060A

Two-Speed Doors
Plan View



REF. NO.	W/O VINTAGE	
	PART or ML	DESCRIPTION
1	320AP1	Bumper, Return
2	320AP2	Bumper, Strike
3	384JM3	Guard, Sight, Steel, 83.5 in. L, 2.06 in. W (8 Mounting Slots, 13.6 in. Spacing)
	384JM8	Guard, Sight, Steel, 83.5 in. L, 2.06 in. W (7 Mounting Slots, 16 in. Spacing)