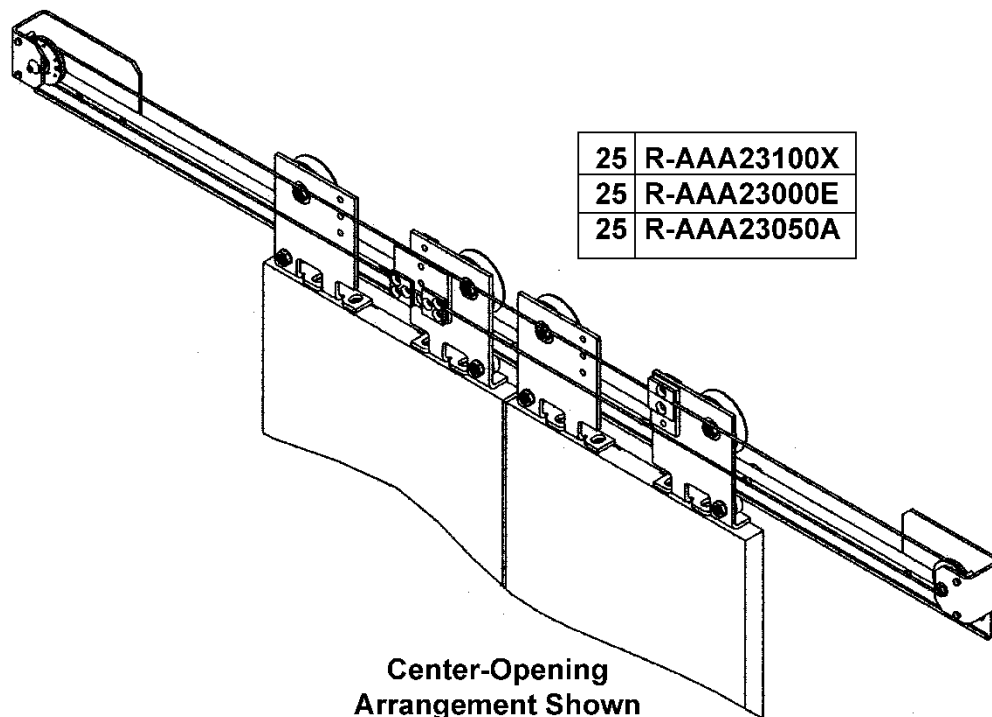


Otis Mod Track and Hanger  
Package—Hoistway Door  
C/O, S/S and 2spd

Spare Parts Leaflet  
25-AAA23100X

November 27, 2019 / Page 1 of 7



**OTIS**

This document does not contain any  
technical data subject to EAR or ITAR

SERVICE ENGINEERING  
Otis Elevator Company  
Bloomfield, Connecticut USA

Unpublished Work—© Otis Elevator Co.; 2019

## Leaflet Description

This SPL provides spare parts information for types AAA23100X, AAA23050A, and AAA23000E hoistway door track and hanger arrangements.

### Leaflet Revisions

Date Revised	Subject Matter Expert	Reason for Revision
October 16, 2002	Jeff Smith	New SPL
January 20, 2003	Jeff Smith	Added a reference to SPL 26-AAA6940CB in the related documents table, in the history page.
May 23, 2018	Brian Regan	Corrected p/n in Ref. 1 on p. 7
November 27, 2019	Peter Kelley	Revised history page

### Related Drawings

Drawing No.	Title	Drawing No.	Title
AAA23100X	Center Opening Hoistway Door Track and Hanger Arrangement	AAA23000E	Single-Slide Hoistway Door Track and Hanger Arrangement
AAA23050A	Two-Speed Hoistway Door Track and Hanger Arrangement		

### Related Documents

Document ID	Title
25-AAA23000E	Otis Mod Track and Hanger Package—Hoistway Door Single-Slide
25-AAA24460B	Otis Mod Track and Hanger Package—Hoistway Door Two-Speed
26-AAA6940CB	Door Closer—Mod Track and Hanger Package

### Subject Matter Expert

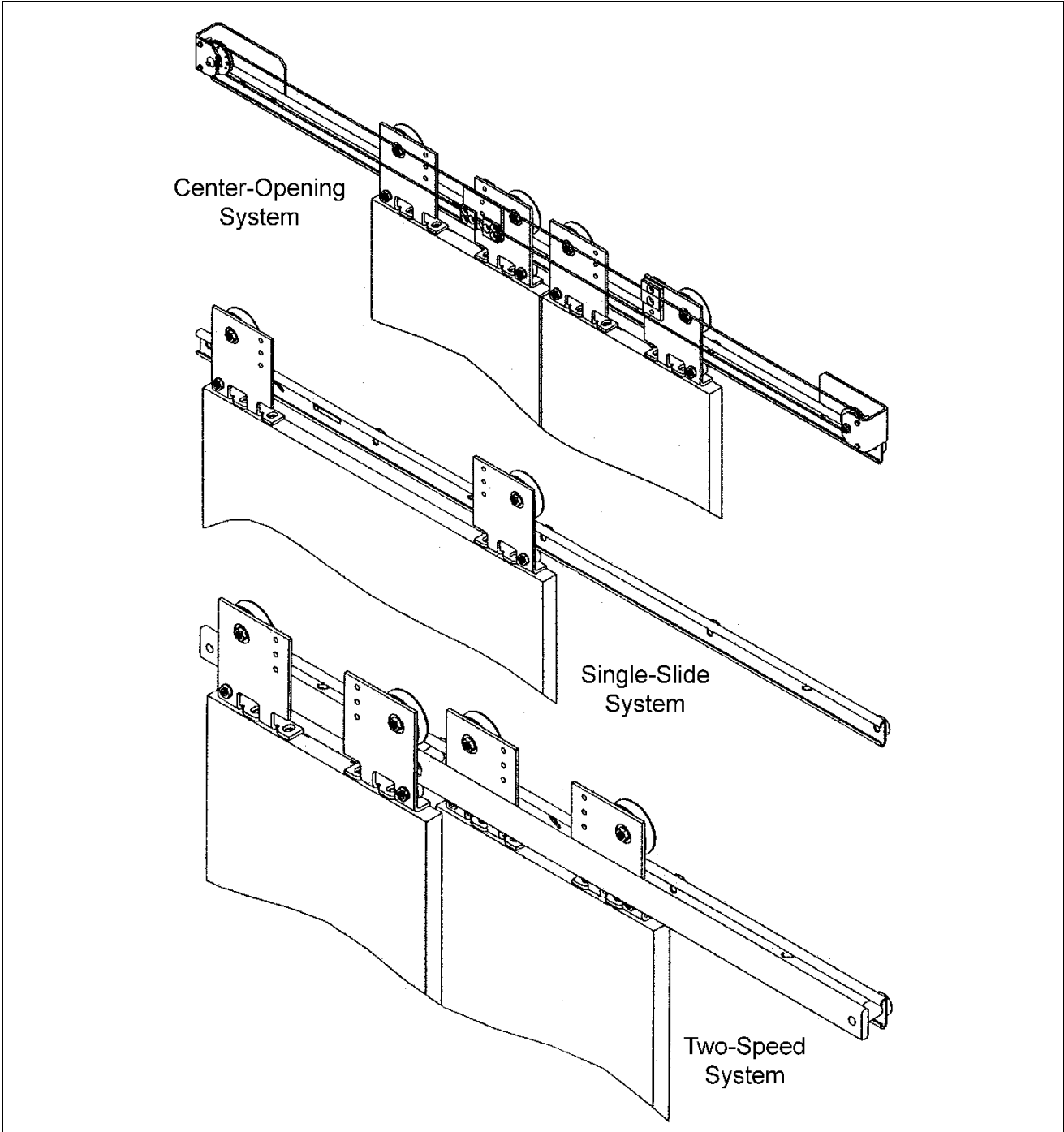
Name	Department
Peter Kelley	OSC Service Engineering

### About Spare Parts Leaflets...

This document lists the lowest replaceable units (LRUs) for the standard version of the product. The LRUs are chosen by a team of Otis associates representing engineering and manufacturing.

While goal of this document is to make parts identification as easy as possible, the document cannot be all-inclusive. Elevator and escalator contracts classified as “special” or “custom” are not addressed here. For such contracts, please refer to specified information, the contract folder, TIPS, Field Education Articles, Construction Letters, etc. for further information.

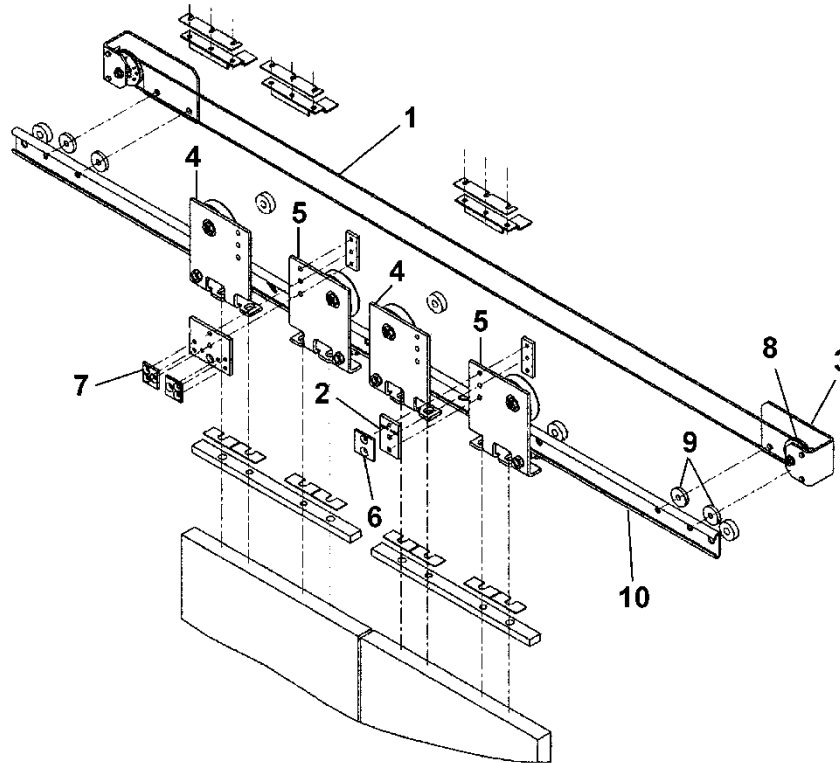
If you have any suggestions about this document, please contact the subject matter expert listed on this page.








PAGE	DESCRIPTION
4	Center-Opening Hoistway Door Track and Hanger Components
5	Single-Slide Hoistway Door Track and Hanger Components
6	Two-Speed Hoistway Door Track and Hanger Components
7	Type AAA24510D Applied Hangers

25-AAA23100X

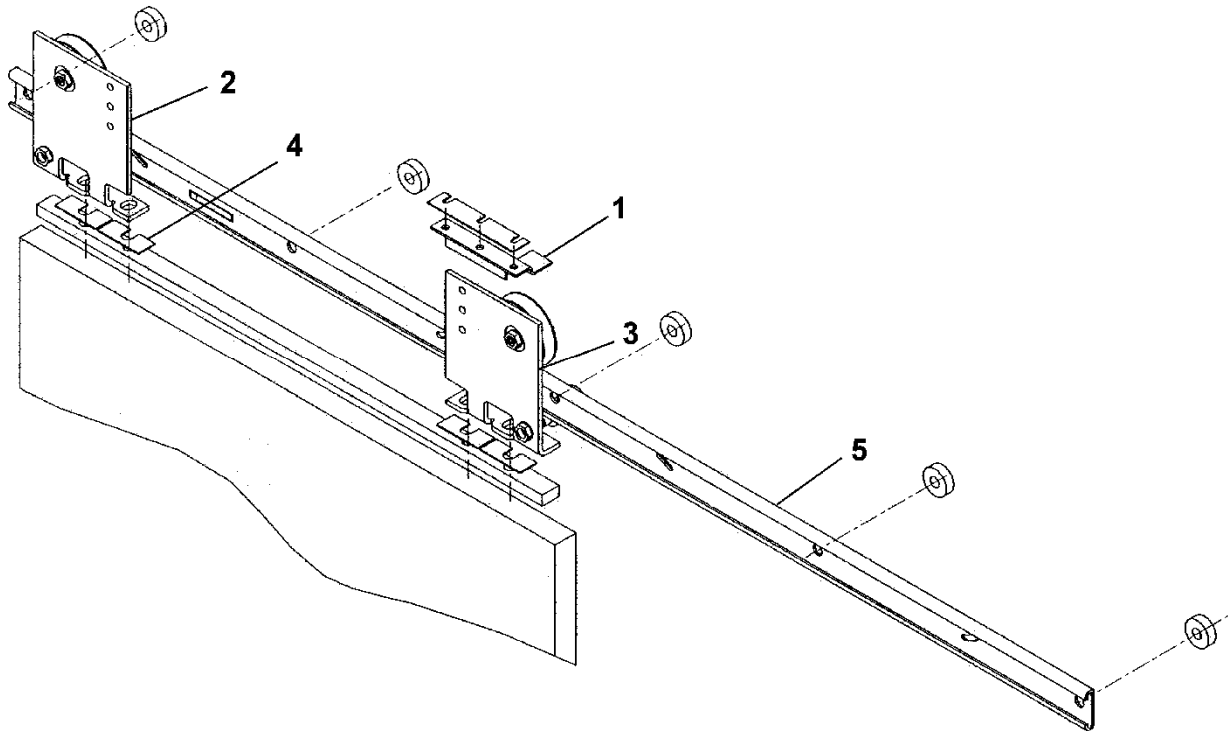
# Center-Opening Hoistway Door Track and Hanger Components







REF. No.	PART No.	DESCRIPTION				
	AAA23100X					
1	174AS995	Aircord, <table border="1" style="display: inline-table; vertical-align: middle;"><tr><td>ORDER</td></tr><tr><td> </td></tr><tr><td> </td></tr></table> Per Foot to Suit Field Specifications	ORDER			
ORDER						
2	AAA316GGV1	Bracket				
3	AAA316GQM1	Bracket, Sheave Assembly				
	AAA316GQM2					
4	AAA24510D__	Hanger, Door,  Page 7 for Details				
5	AAA24510D__					
6	AAA386LKS1	Plate, Clamp				
7	386AKS1	Plate, Clamp				
8	AAA198BH2	Sheave, w/Pin				
9	AAA462ME3	Spacer				
10	AAA483WW10	Track	36 in. Entrance Width			
	AAA483WW11		42 in. Entrance Width			
	AAA483WW12		44 in. Entrance Width			
	AAA483WW13		48 in. Entrance Width			
	AAA483WW14		54 in. Entrance Width			
	AAA483WW997		Special			
	AAA347BJK1	Track Shape; Order AAA347BJK1-"LENGTH"				

# Single-Slide Hoistway Door Track and Hanger Components

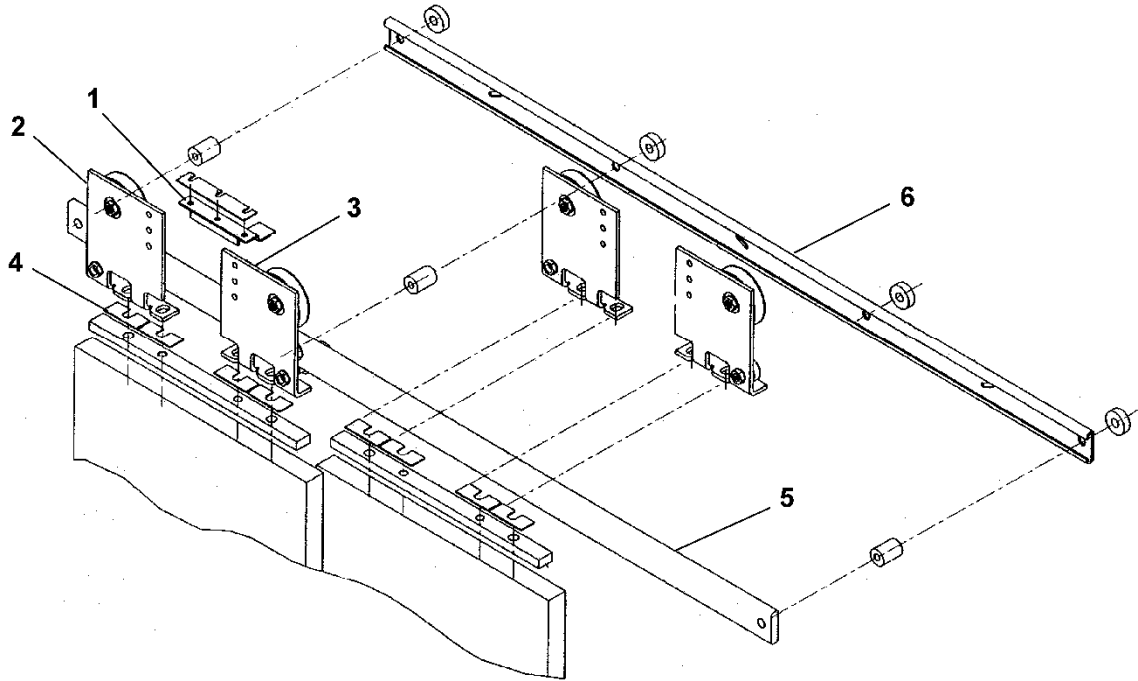
25-AAA23100X



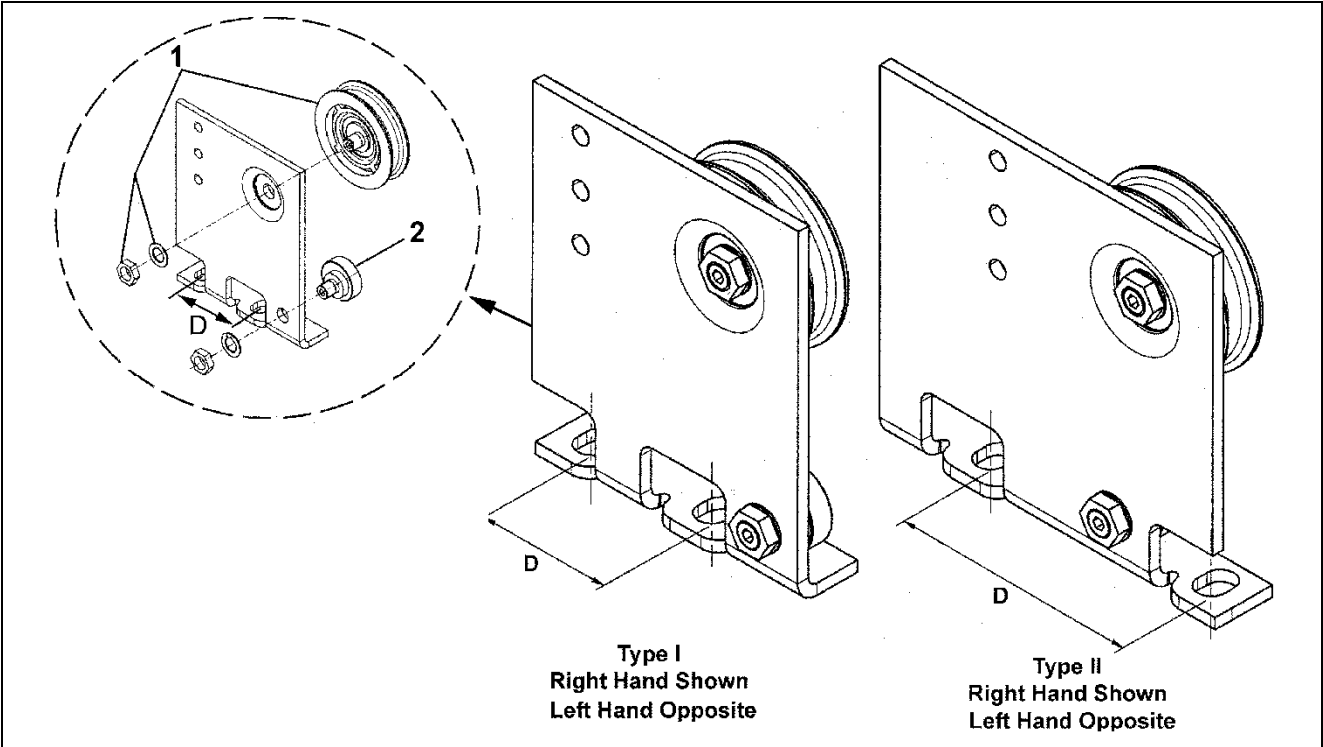
REF. No.	PART No.	DESCRIPTION	
	AAA23000E		
1	A389AH3	Bracket, Retaining	
2	AAA24510D__	Hanger, Door,   Page 7 for Details	
3	AAA24510D__	Hanger, Door,   Page 7 for Details	
4	AAA255KK1	Shim, Hanger	For 1/2 in. Hardware
	AAA255KK2		For 3/8 in. Hardware
5	AAA483WW17	Track	36 in. Entrance Width
	AAA483WW18		42 in. Entrance Width
	AAA483WW19		48 in. Entrance Width
	AAA483WW996		Special
	AAA347BJK1	Track Shape; Order AAA347BJK1-"LENGTH"	

25-AAA23100X

# Two-Speed Hoistway Door Track and Hanger Components



REF. No.	PART No.	DESCRIPTION	ENTRANCE WIDTH
	AAA23050A		
1	A389AH3	Bracket, Retaining	
2	AAA24510D__	Hanger, Door,   Page 7 for Details	
3	AAA24510D__	Hanger, Door,   Page 7 for Details	
4	AAA255KK1	Shim, Hanger, for 1/2 in. Hardware	
	AAA255KK2	Shim, Hanger, for 3.8 in. Hardware	
5	AAA483WW1	Track, Fast	36 in.
	AAA483WW2		42 in.
	AAA483WW3		48 in.
	AAA483WW4		54 in.
	AAA483WW999		Special
	50ADF1	Fast Track Shape; Order 50ADF1-"LENGTH"	
6	AAA483WW5	Track, Slow	36 in.
	AAA483WW6		42 in.
	AAA483WW7		48 in.
	AAA483WW8		54 in.
	AAA483WW998		Special
	AAA347BJK1	Track Shape; Order AAA347BJK1-"LENGTH"	



PART	TYPE	HAND	HANGER FASTENER	DIMENSION "D"
AAA24510D1	I		1/2 in.	2.50 in.
AAA24510D2				4.63 in.
AAA24510D3	II		3/8 in.	4.13 in.
AAA24510D4				>= 2.50 to <= 3.50
AAA24510D5				
AAA24510D6				> 3.50 to <= 4.75
AAA24510D999	I		1/2 in.	>= 2.50 to <= 3.50
AAA24510D998				
AAA24510D997	II		3/8 in.	> 3.50 to <= 4.75
AAA24510D996				
AAA24510D995	I		3/8 in.	>= 2.50 to <= 3.50
AAA24510D994				
AAA24510D993	II		3/8 in.	> 3.50 to <= 4.75
AAA24510D992				
AAA456YA3	Assembly, Roller,  Ref. 1			
AAA456YP3	Roller, Upthrust,  Ref. 2			