

HPLIM Hoistway Door  
System: Center-  
Opening & Single-Slide

Spare Parts Leaflet

25-AAA23101J

October 3, 2018 / Page 1 of 13

W/O VINTAGE

25 R-ABA23101J

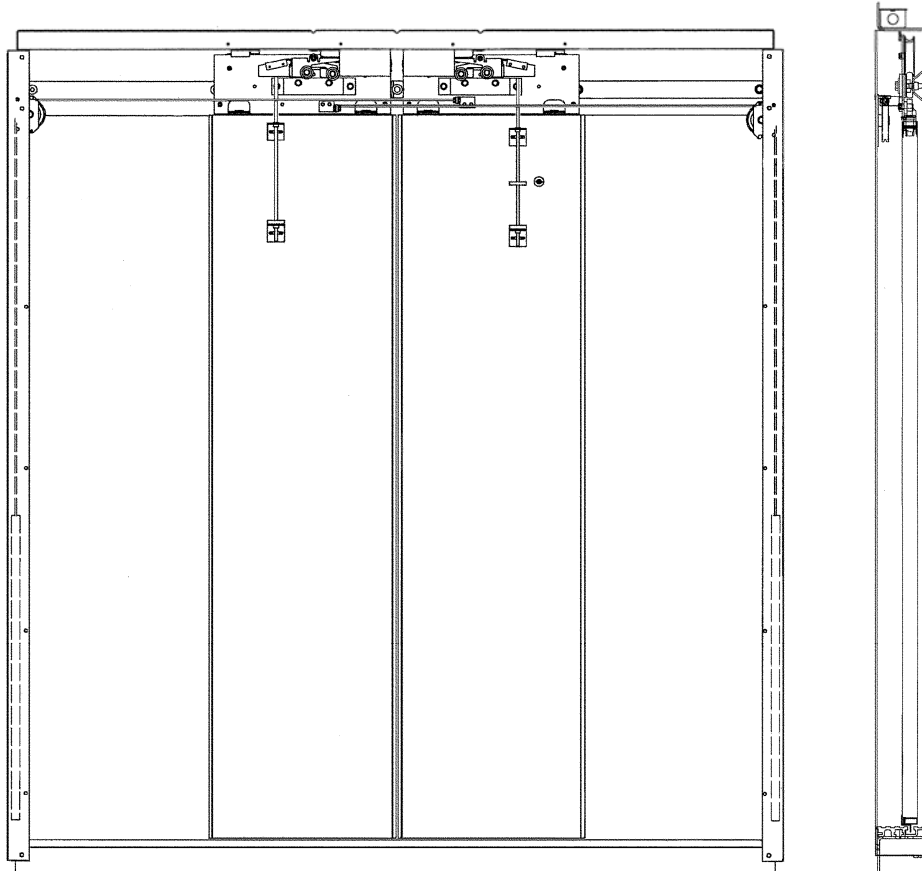
25 R-ABA23101K

25 R-ABB23101J

25 R-ABB23101K

25 R-ACA23101J

25 R-ACA23101K



Center-Opening System Shown

**OTIS**

This document does not contain any  
technical data subject to EAR or ITAR

SERVICE ENGINEERING  
Otis Elevator Company  
Bloomfield, Connecticut USA

Unpublished Work—© Otis Elevator Co.; 2018

## Leaflet Description

This leaflet lists the lowest replaceable parts (LRUs) for the HPLIM hoistway door system. New LRUs added per ABA and ABB record changes include newer stops AAA316GCN2. Also, entrance material, such as tracks and hangers, has been removed from this SPL and is shown in SPL 25-AAA23100G.

## Leaflet Revisions

Date Revised	Subject Matter Expert	Reason for Revision
June 1998	Blair Cohen	New leaflet
February 15, 2002	Duane Stupienski	Update to include changes per ABA and AAA record changes
February 15, 2007	Diem Tran	Corrected typos.
November 18, 2009	Brian Regan	Added dimension "D" information on p. 13; ACA record change
October 3, 2018	Pete Kelley	Added Ref. 3 on p. 8

## Related Drawings

Drawing No.	Title	Drawing No.	Title
AAA23101J ABA23101J ABB23101J ACA23101J	HPLIM Door System Center Opening Hoistway Side	AAA24479AAA	Door Guide
AAA23100AAA	Hoistway Entrance Center Opening	AAA6331CC ABA6331CC ABB6331CC	Hanger Assembly Hoistway
AAA23101K ABA23101K ABB23101K ACA23101K	HPLIM Door System Single Slide Hoistway Side		

**(Continued on next page)**

## Related Documents

Document ID	Title
SPL 10-AAA24350AY	(HPLIM) Door Operator Controller
SPL 23-AAA24450D	HPLIM Door Operator, Single Slide
SPL 23-AAA24470F	HPLIM Door Operator, Center Opening
SPL 25-AAA23100G	Hoistway Entrances—OVL & HPLIM (Flush & Non-Flush Mounting)
SPL 25-AAA23100AAB	Hoistway Entrance
SPL 26-AAA23402L	Door Weight Closer
SPL 27-AAA23400C	“Techna” Interlock Assembly
TIP 22.12-1	HPLIM® Service Tool Manual
SU 13-100	Passenger Elevator Entrance Hoistway Doors
SU 11-102	Preassembled Entrances
SU 14-300	Interlocks & Unlocking Devices

## Subject Matter Expert

Name	Department
Pete Kelley	OSC Service Engineering

## About Spare Parts Leaflets...

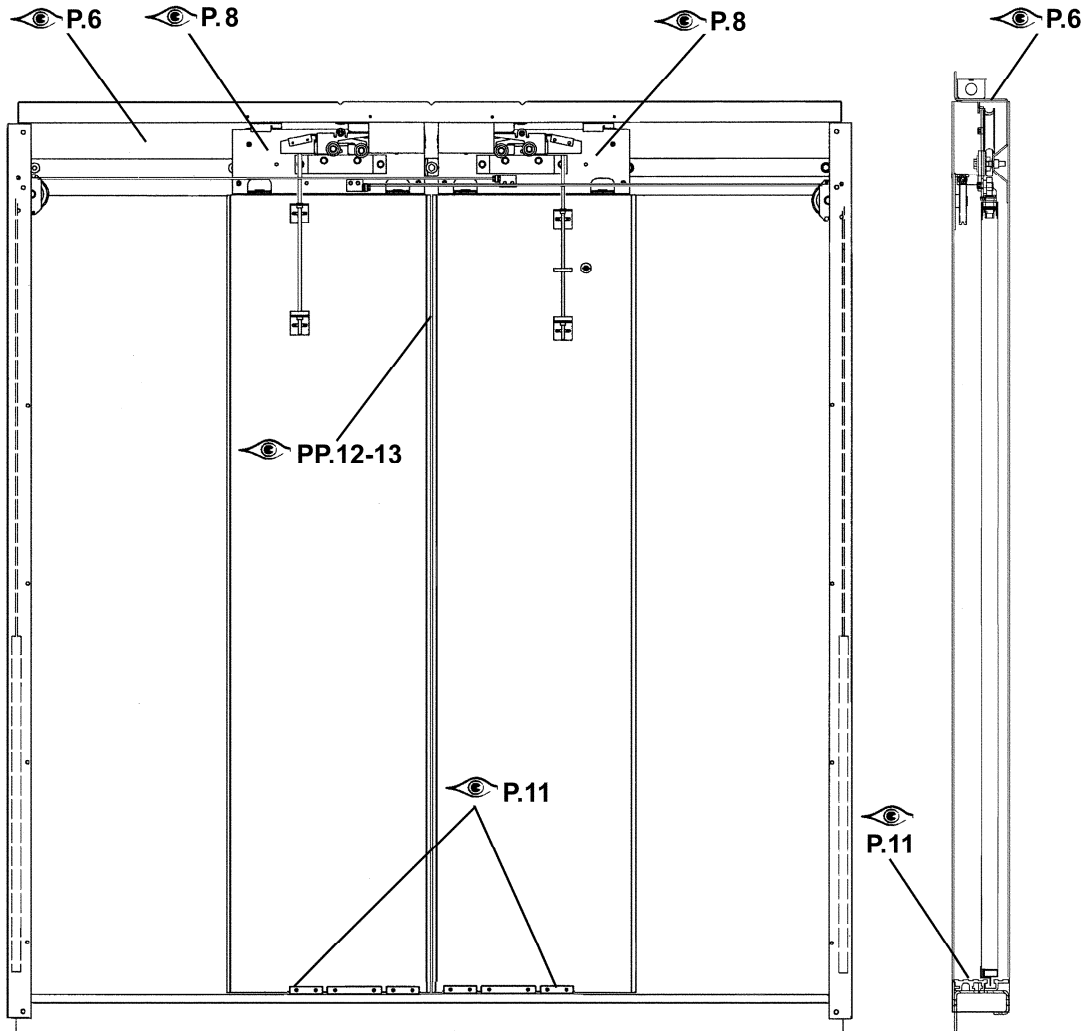
This document lists the lowest replaceable units (LRUs) for the standard version of the product. The LRUs are chosen by a team of Otis associates representing engineering and manufacturing.



While goal of this document is to make parts identification as easy as possible, the document cannot be all-inclusive. Elevator and escalator contracts classified as “special” or “custom” are not addressed here. For such contracts, please refer to specified information, the contract folder, TIPS, Field Education Articles, Construction Letters, etc. for further information.

If you have any suggestions about this document, please contact the subject matter expert listed on this page.

25-AAA23101J

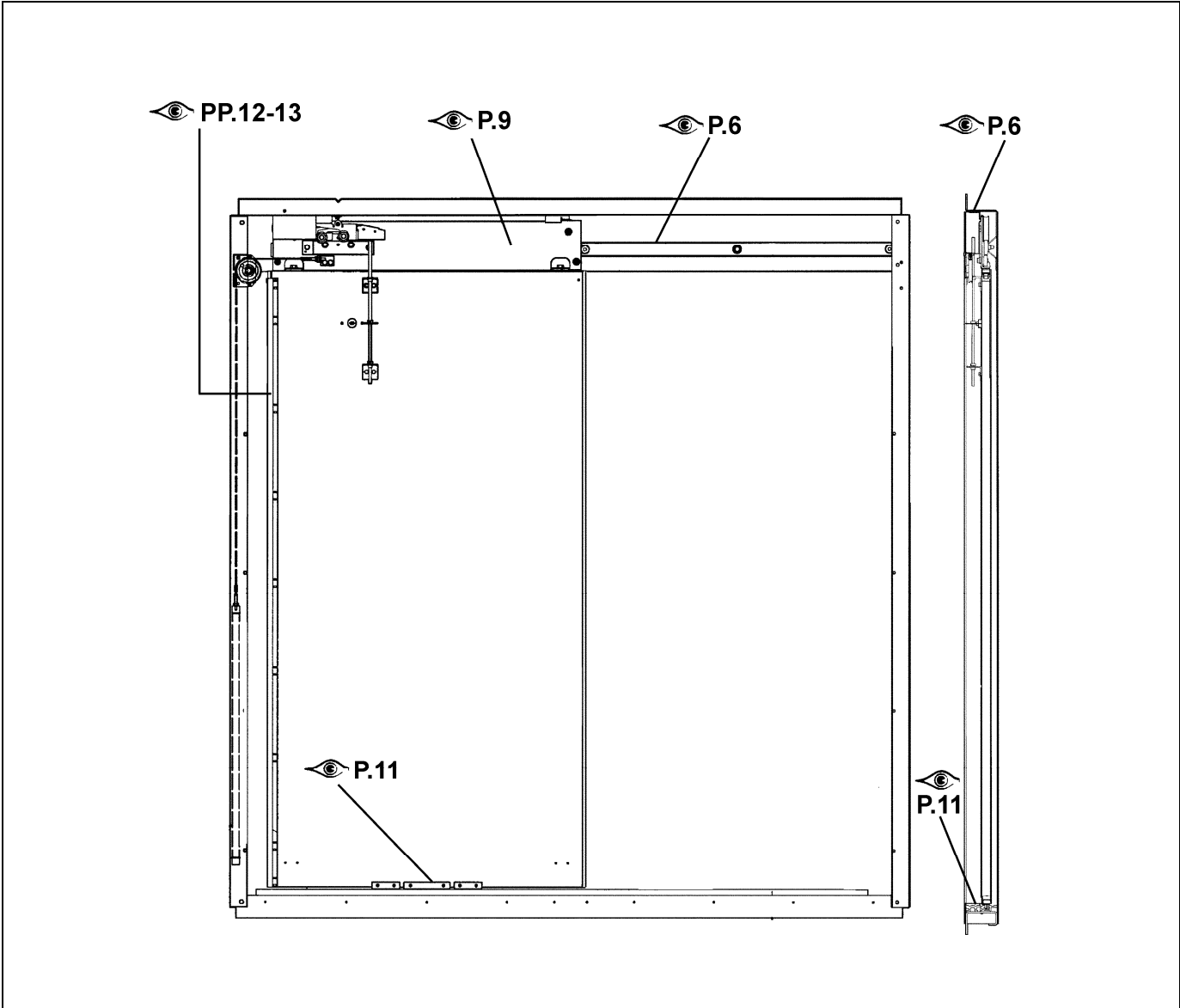
Type AAA23101J Hoistway Door  
System: Center-Opening Doors



PAGE No.	DESCRIPTION
6	Header Related Parts,  SPL 25-AAA23100G
8	Hoistway Door Hanger Assembly: Center-Opening
10	Hoistway Door Hanger Parts
11	Hoistway Door Guides,  SPL 25-AAA24479AAA
12-13	Hoistway Door Astragal & Sight Guard

Type AAA23101K Hoistway Door  
 System: Single-Slide Door

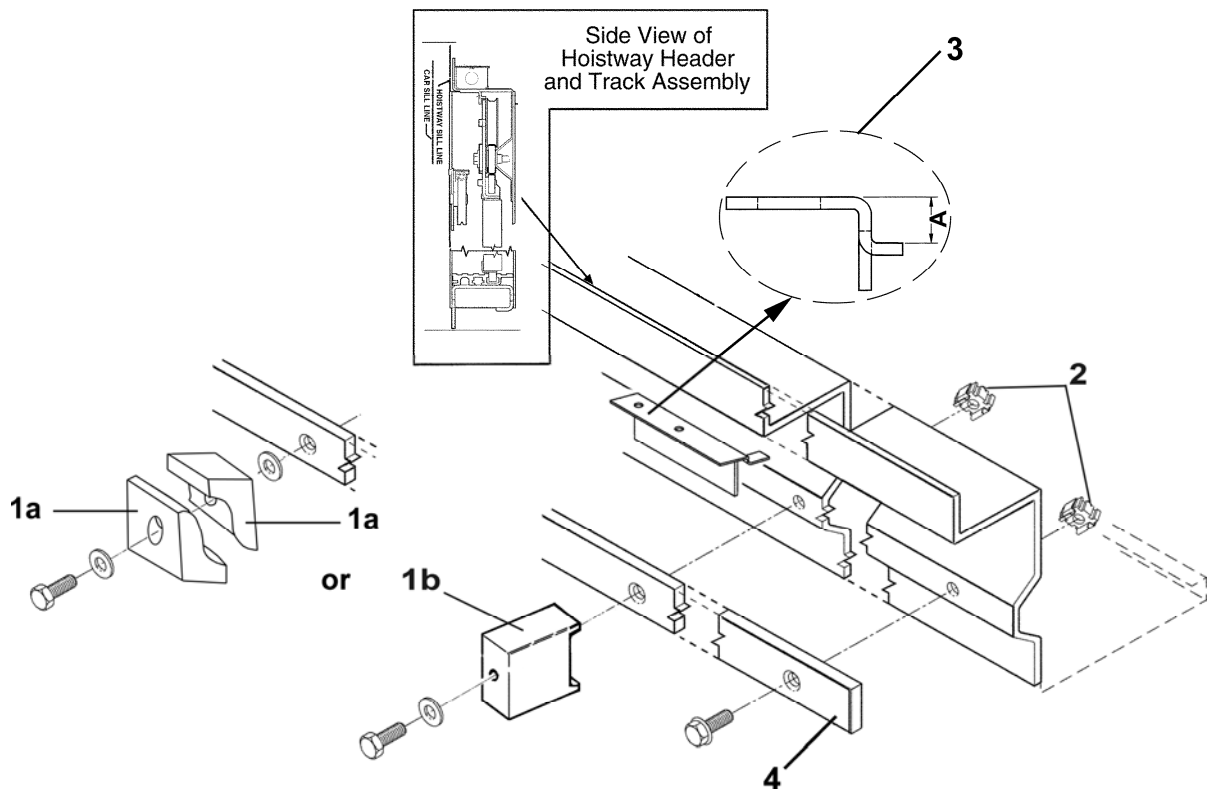
25-AAA23101J



PAGE No.	DESCRIPTIO
6	Header Related Parts,  SPL 25-AAA23100G
9	Hoistway Door Hanger Assembly: Single-Slide
10	Hoistway Door Hanger Parts
11	Hoistway Door Guides,  SPL 25-AAA24479AAA
12-13	Hoistway Door Astragal & Sight Guard

25-AAA23101J

# Type AAA409GM/GV Header & Track




W/O VINTAGE

ABA23101J

ABB23101J

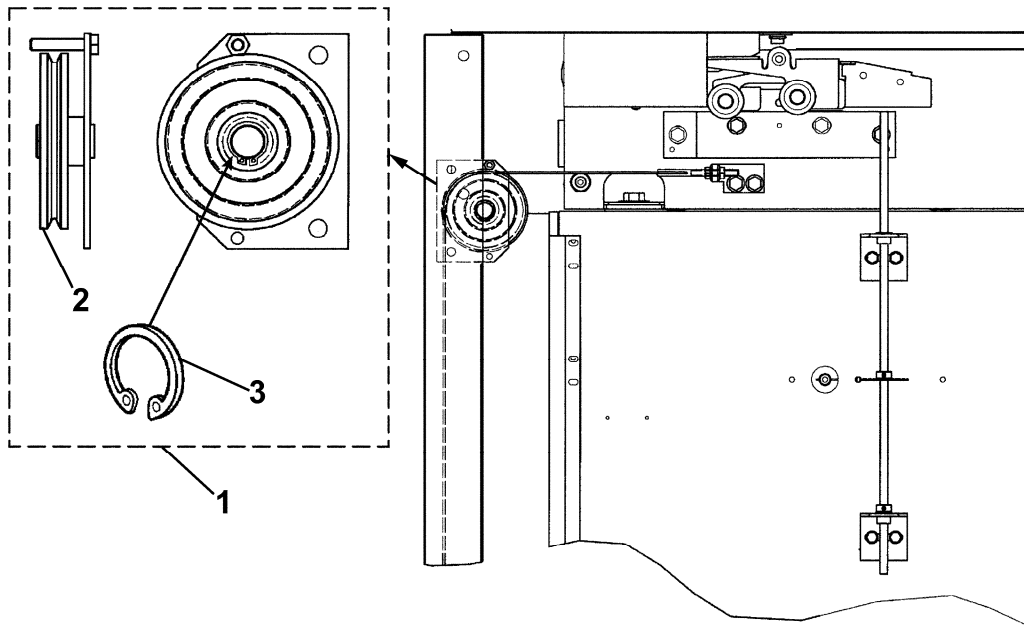
AAA23101J

ACA23101J

REF. No.	PART No.		DESCRIPTION
1a	AAA320EZ1	---	Bumper, Center-Opening Doors (two needed)
1b	---	AAA477GH1	Bumper, Center-Opening Doors
2	72DJ15		Nut, Grip
3	316EAS1		Retainer
	316EAS2		
4	---		Track,  SPL 25-AAA23100G, Hoistway Entrances—OVL & HPLIM (Flush & Non-Flush Mounting)


# HPLIM: Weight Closer Pulley Assembly

25-AAA23101J



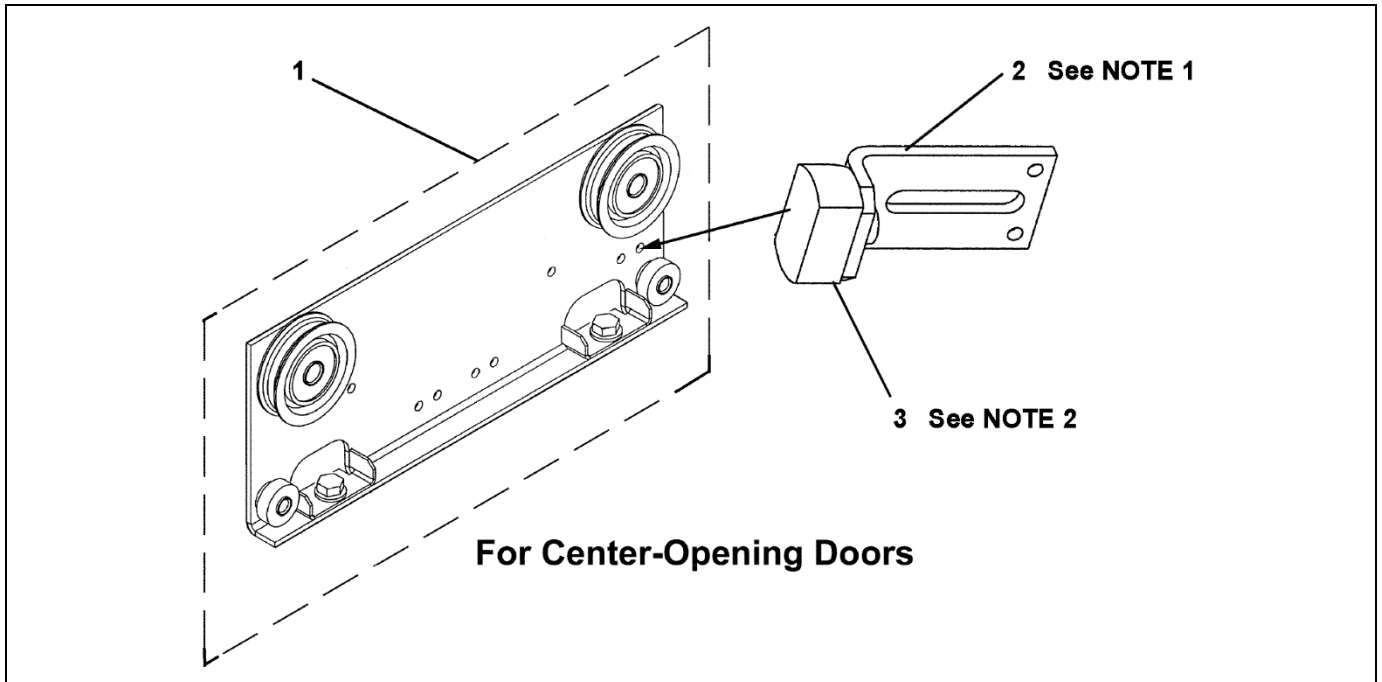
W/O VINTAGE  
ABA23101J  
ABB23101J  
ACA23101J

REF. No.	PART No.	DESCRIPTION
1	AAA24450H1	Assembly, Pulley
2	AAA198AM1	Pulley
3	DIN471N-17-480HV-B 172PM13	Ring, Retaining

**NOTE:** For other weight closer parts and information,  SPL 26-AAA23402L.

25-AAA23101J

# Type A\*\*6331CC Hanger Assembly



	ABA23101J	ABB23101J ACA23101J	DESCRIPTION
REF. No.	PART No.	PART No.	
1	ABA6331CC15	ABB6331CC15	Assembly, Hanger, C/O Doors, 36 in. Opening, 🖐️
	ABA6331CC16	ABB6331CC16	Assembly, Hanger, C/O Doors, 36 in. Opening, 🖐️
	ABA6331CC17	ABB6331CC17	Assembly, Hanger, C/O Doors, 42 in. Opening, 🖐️ or 🖐️
	ABA6331CC18	ABB6331CC18	Assembly, Hanger, C/O Doors, 48 in. Opening, 🖐️ or 🖐️
	ABA6331CC22	ABB6331CC22	Assembly, Hanger, C/O Doors, 900 mm Opening, 🖐️
	ABA6331CC23	ABB6331CC23	Assembly, Hanger, C/O Doors, 900 mm Opening, 🖐️
	ABA6331CC24	ABB6331CC24	Assembly, Hanger, C/O Doors, 1000 mm Opening, 🖐️ or 🖐️
	ABA6331CC25	ABB6331CC25	Assembly, Hanger, C/O Doors, 1100 mm Opening, 🖐️ or 🖐️
	ABA6331CC26	ABB6331CC26	Assembly, Hanger, C/O Doors, 1200 mm Opening, 🖐️ or 🖐️
2	AAA316GCN2	AAA316GCN2	Bracket with Bumper, see <b>NOTE 1</b>
3	320P4	320P4	Bumper, see <b>NOTE 2</b>

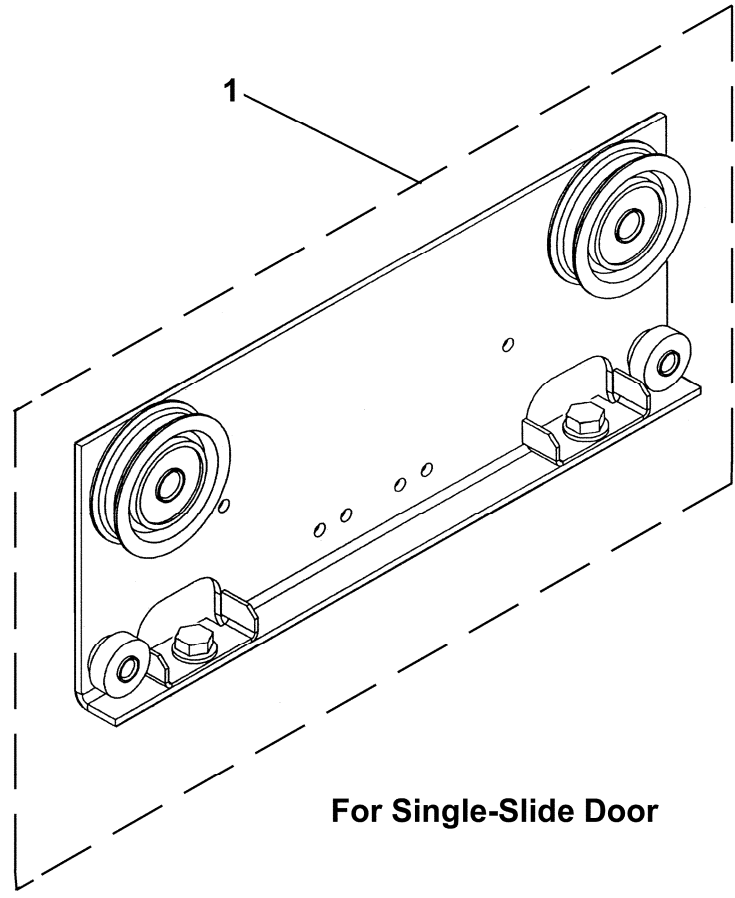
**NOTE 1:** Reference 2 bumper bracket is not included with hanger assembly.

**NOTE 2:** Secure bumper to bracket with Locktite 454 (p/n VP-700140).



Type A\*\*6331CC Hanger Assembly:  
Otis & Vendor Door Application

25-AAA23101J

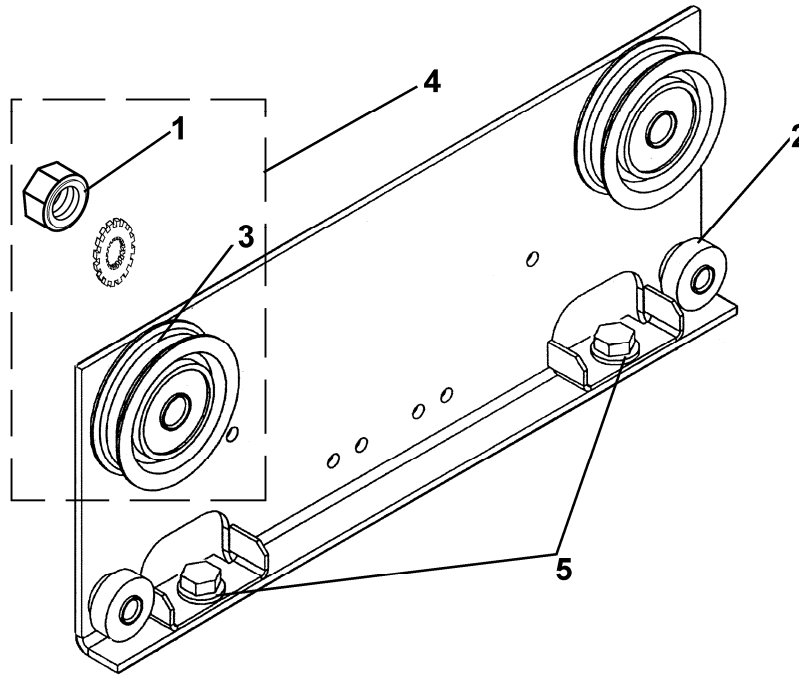


W/O VINTAGE	
ABA23101K	
ABB23101K	ACA23101K

REF. No.	PART No.		DESCRIPTION
1	AAA6331CC19	ABB6331CC19	Assembly, Hanger, S/S Doors, 32 in. Opening,  or
	AAA6331CC20	ABB6331CC20	Assembly, Hanger, S/S Doors, 36 in. Opening,  or
	AAA6331CC21	ABB6331CC21	Assembly, Hanger, S/S Doors, 42 in. Opening,  or
	AAA6331CC27	ABB6331CC27	Assembly, Hanger, S/S Doors, 900 mm Opening,  or
	AAA6331CC28	ABB6331CC28	Assembly, Hanger, S/S Doors, 1000 mm Opening,  or

25-AAA23101J

## Applied Hanger Components: Otis & Vendor Door Application

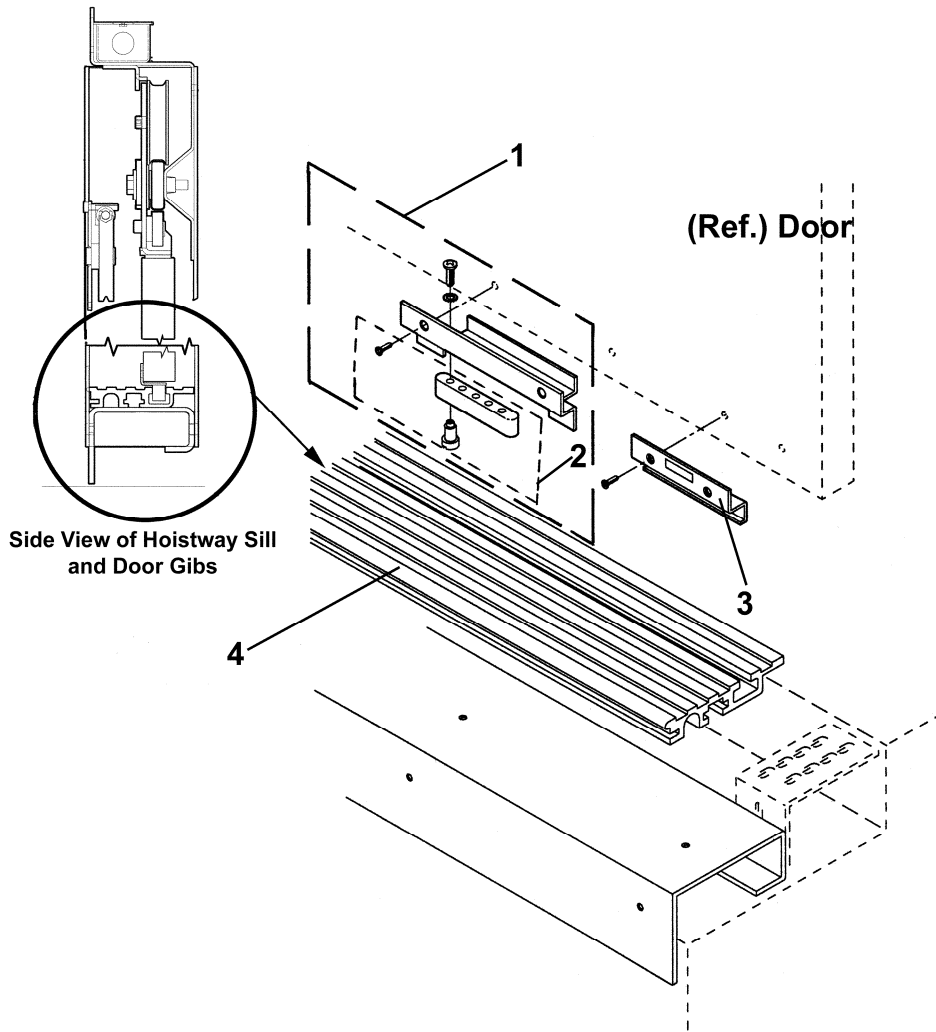


REF. No.	W/O VINTAGEABA23101J ABA23101K	ABB23101J ABB23101K ACA23101J ACA23101K	DESCRIPTION
1	72AF5	---	Nut, Lock ( <b>NOTE:</b> Don't order separately if buying rollers as well.)
2	456FE4 AAA456XZ6	AAA456XZ6	Roller, Lower (hardware provided)
3	AAA456XD1 AAA456YA4	---	Roller, Upper (hardware provided), See NOTE
4	---	AAA456YA4	
5	130J11		Washer, Internal-External

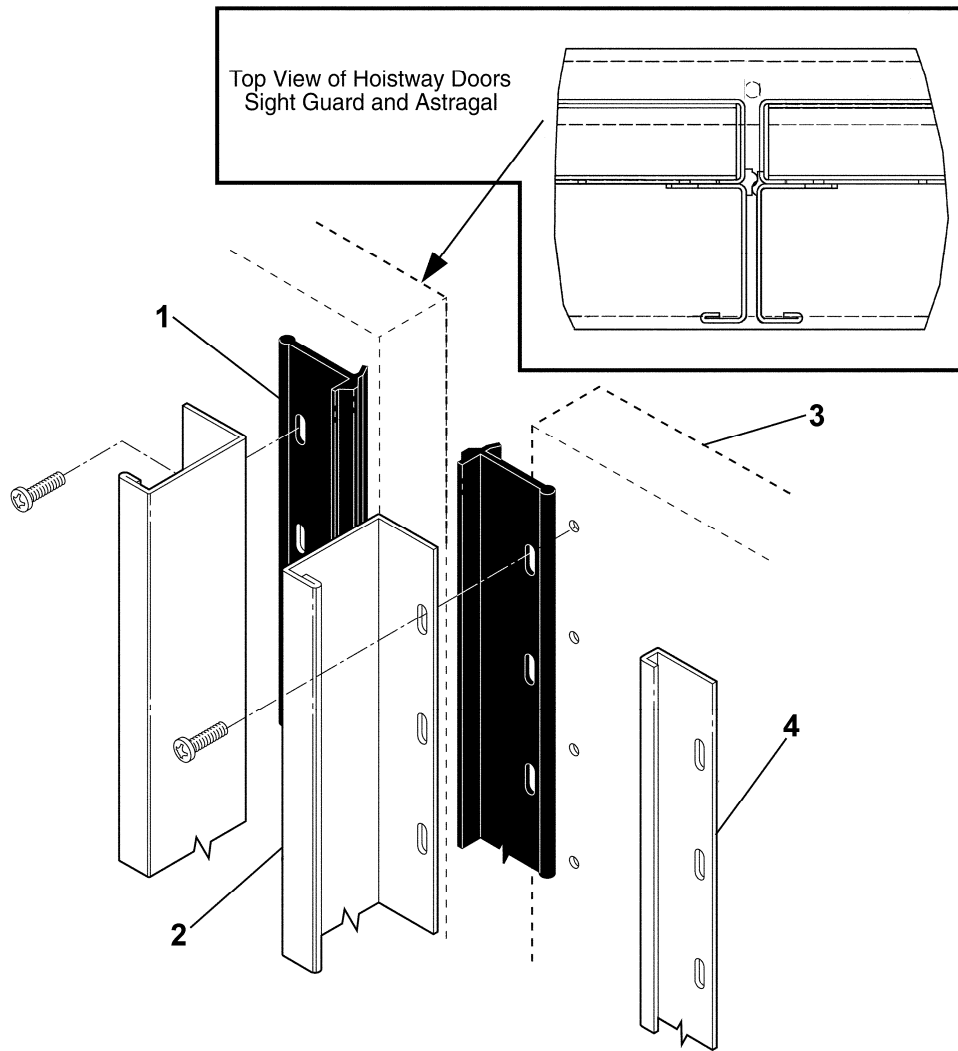
**NOTE:** Ref. 3 is now AAA456YA4, which includes hardware: M12 x 1.5 nut and lock washer.


# Hoistway Sill & Door Gib

25-AAA23101J



REF. No.	W/O VINTAGE	ABA23101J ABA23101K	ABB23101J ABB23101K ACA23101J ACA23101K	DESCRIPTION
1	AAA24479AAA12 AAA24479C400		AAA24479AAA19 AAA24479C400	Guide, Door
2		---		Components, Door Guide, 👁 SPL 25-AAA24479AAA
3	AAA385RF3			Retainer
4		---		Sill Shape, C/O or S/S, 👁 SPL 25-AAA23100AAB



W/O VINTAGE		
REF. No.	PART No.	DESCRIPTION
1	AAA402ZW1	Astragal, EH $\geq$ 2100 mm & $\leq$ 2134 mm
	AAA402ZW2	Astragal, EH $>$ 2104 mm & $\leq$ 2439 mm
	AAA402ZW3	Astragal, EH $>$ 2439 mm & $\leq$ 2744 mm
2	---	Guard, Sight, Type AAA384ZF,  Detailed Listing on Page 13
3	---	Door (HPLIM), Hollow Metal, Type A**413EV (reference only)
4	---	Retainer, Astragal, Type AAA384ZG (special order only)

**NOTE:** EH = Entrance Height  
(Continued on next page)

# Type AAA384ZF Sight Guard

25-AAA23101J



**Type I Sight Guard**



**Type II Sight Guard**

	P/N Suffix (***) Designation	Material & Finish
<b>Type I Suffixes</b>	SS4	= Stainless Steel, Brushed
	SS8	= Stainless Steel, Mirror
	Steel&Primer	= Steel with Primer
<b>Type II Suffixes</b>	BR7	= Brass, Brushed
	BR8	= Brass, Mirror

**NOTE:** When ordering, specify the three letter suffix (\*\*\*) for material/finish.

**Example:** Part AAA384ZF3 in Brushed Bronze

P/N = AAA384ZF3-BR7

	W/O VINTAGE			
Material Types	PART No. w/Material Suffix	EH (mm)	D (mm)	Sight Guard Types
Steel or Stainless Steel	AAA384ZF1-***	2133	30	Type I
	AAA384ZF2-***	2438		
	AAA384ZF5-***	2100		
	AAA384ZF6-***	2300		
	AAA384ZF9-***	2133	32.5	
	AAA384ZF10-***	2438		
	AAA384ZF13-***	2100		
	AAA384ZF14-***	2300		
Bronze	AAA384ZF3-***	2133	30	Type II
	AAA384ZF4-***	2438		
	AAA384ZF7-***	2100		
	AAA384ZF8-***	2300		
	AAA384ZF11-***	2133	32.5	
	AAA384ZF12-***	2438		
	AAA384ZF15-***	2100		
	AAA384ZF16-***	2300		