

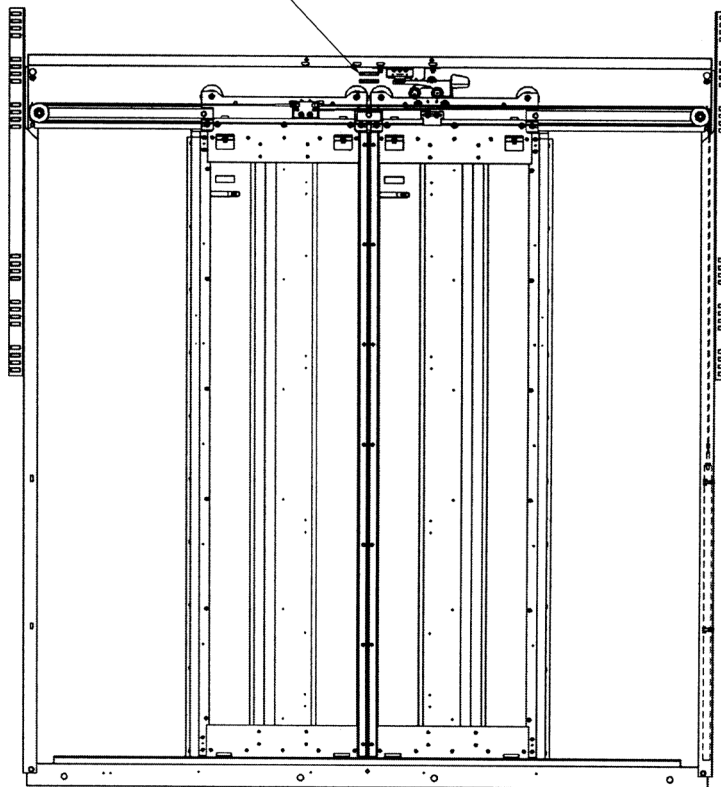
**NG Hoistway Door System:  
Center-Opening w/Single &  
Double Lock, Single-Slide,  
and Two-Speed**

**Spare Parts Leaflet**

**25-AAA23101P**

**June 19, 2024 / Page 1 of 26**

- 25 A - AAA23101N Center-Opening, Double Lock  
NG Hoistway Door
- 25 A - AAA23101P Center-Opening, Single Lock  
NG Hoistway Door
- 25 A - AAA23010B Single-Slide, NG Hoistway Door
- 25 A - AAA23050C Two-Speed, NG Hoistway Door



Center-Opening, Single Lock NG Door Shown



This document contains technical data  
subject to EAR. ECCN=EAR99

**SERVICE ENGINEERING**

**Otis Elevator Company**

**Bloomfield, Connecticut USA**

Unpublished Work—© Otis Elevator Co.; 2024

# History

**25-AAA23101P**

## Leaflet Description

This SPL reflects the Lowest Replaceable Units for NG hoistway door system that support “Weldless” doors for center-opening with single lock (C/O–1L), single-slide (S/S), and two-speed (2-SP) openings for both “Flush” and “Non-Flush” hoistway entrances. Flush and non-flush pertains to hoistway sill construction types. Flush-mounted sills are anchored with support brackets to vertical hoistway walls. Non-flush mounting sills are supported by brackets fastened to a sill ledge (concrete or steel), which is backfilled with concrete grout.

## Leaflet Revisions

See next page for revision history.

## Related Drawings

Drawing No.	Title	Drawing No.	Title
AAA23101P	Hoistway Entrance Assembly, Center-Opening, Single Lock (C/O–1L)	AAA23050D	Relator Assembly, Two-Speed (2–SP)
AAA23010B	Hoistway Entrance Assembly, Single-Slide (S/S)	AAA23470G	Sill Support Assembly, Center–Opening & Single–Slide (90 mm Door Space)
AAA23050C	Hoistway Entrance Assembly, Two-Speed (2–SP)	AAA23470J	Sill Support Assembly, Center–Opening & Single–Slide (127 mm Door Space)
AAA23125B	Header Assembly, Center-Opening, Single Lock (C/O–1L)	AAA23470H	Sill Support Assembly, Two-Speed (127 mm Door Space)
AAA23050E	Header Assembly, Two-Speed (2-SP)	AAA23470K	Sill Support Assembly, Two-Speed (165 mm Door Space)
AAA23101N	Hoistway Entrance Assembly, Center-Opening, Double Lock (C/O–2L)	---	---

## Related Documents

Document ID	Title
SPL 26-AAA23402M	<i>Door Weight Closer</i>
SPL 27-AAA23400S	<i>Interlock Assembly</i>
SPL 27-AAA23400X	<i>Unlocking Device Assembly</i>

## Subject Matter Expert

Name	Department
Jordan Thomas	OSC Service Engineering

# History (continued)

**25-AAA23101P**

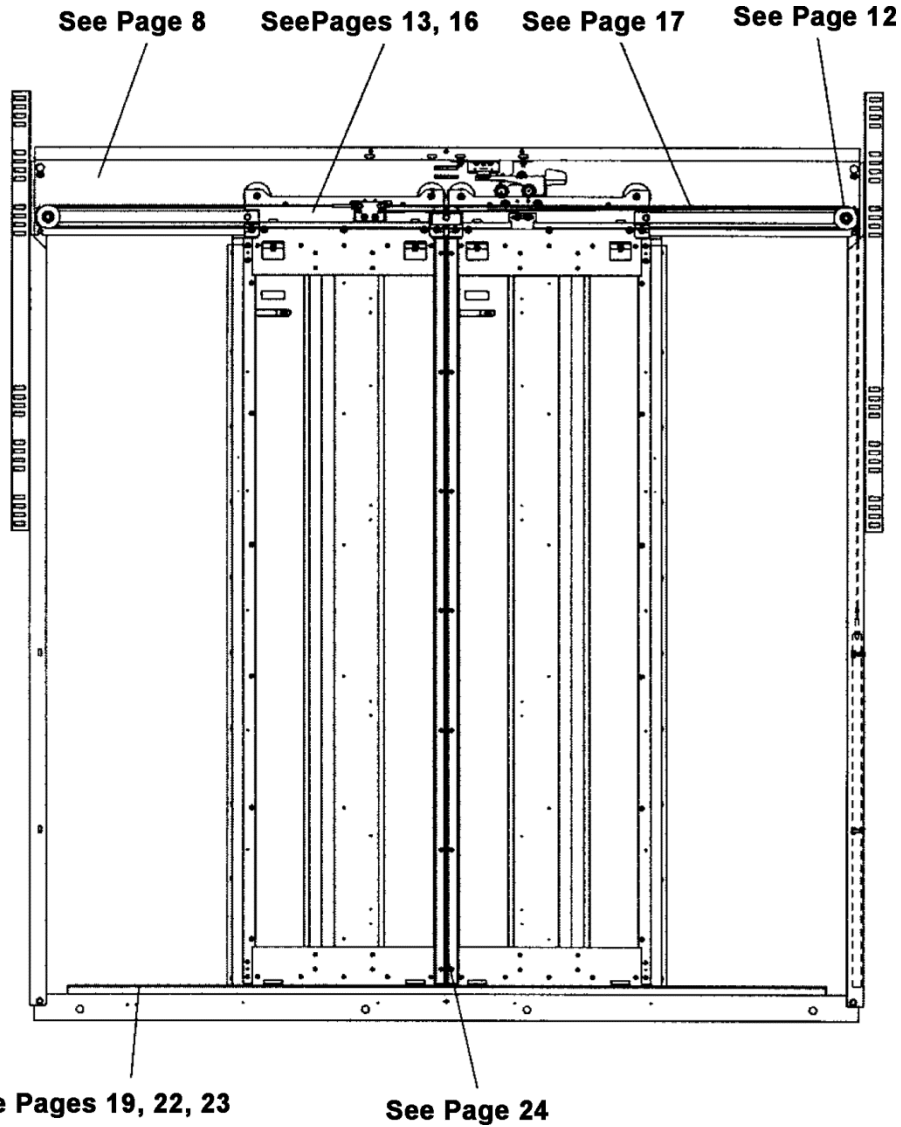
## Leaflet Revisions

<b>Date Revised</b>	<b>Subject Matter Expert</b>	<b>Reason for Revision</b>
April 4, 2008	Grant Hu, Michael Tracey, and Diem Tran	New SPL
September 9, 2008	Brian Regan	Updated p. 20
November 20, 2008	Brian Regan	Updated p. 21
September 15, 2010	Brian Regan	Added double-lock vintage.
March 12, 2014	Brian Regan	Updated information throughout
May 27, 2015	Brian Regan	Corrected typo on p. 21
January 27, 2016	Brian Regan	Added relator information on p. 18
May 11, 2016	Brian Regan	Corrected Ref. 1 on p. 18
March 8, 2017	Brian Regan	Added p/n AAA255ML1 on newly inserted p. 16
December 13, 2017	Brian Regan	Added p/n AAA316HDY1 on p. 26
November 27, 2019	Peter Kelley	Revised history page
June 19, 2024	Jordan Thomas	Moving p/n AAA483XD999-2823-BLANK to ref. 5 & adding p/n AAA483XE101 (p. 11).

# Table of Contents

**25-AAA23101P**

## Type AAA23101P NG Hoistway Door System: Center-Opening w/Single Lock



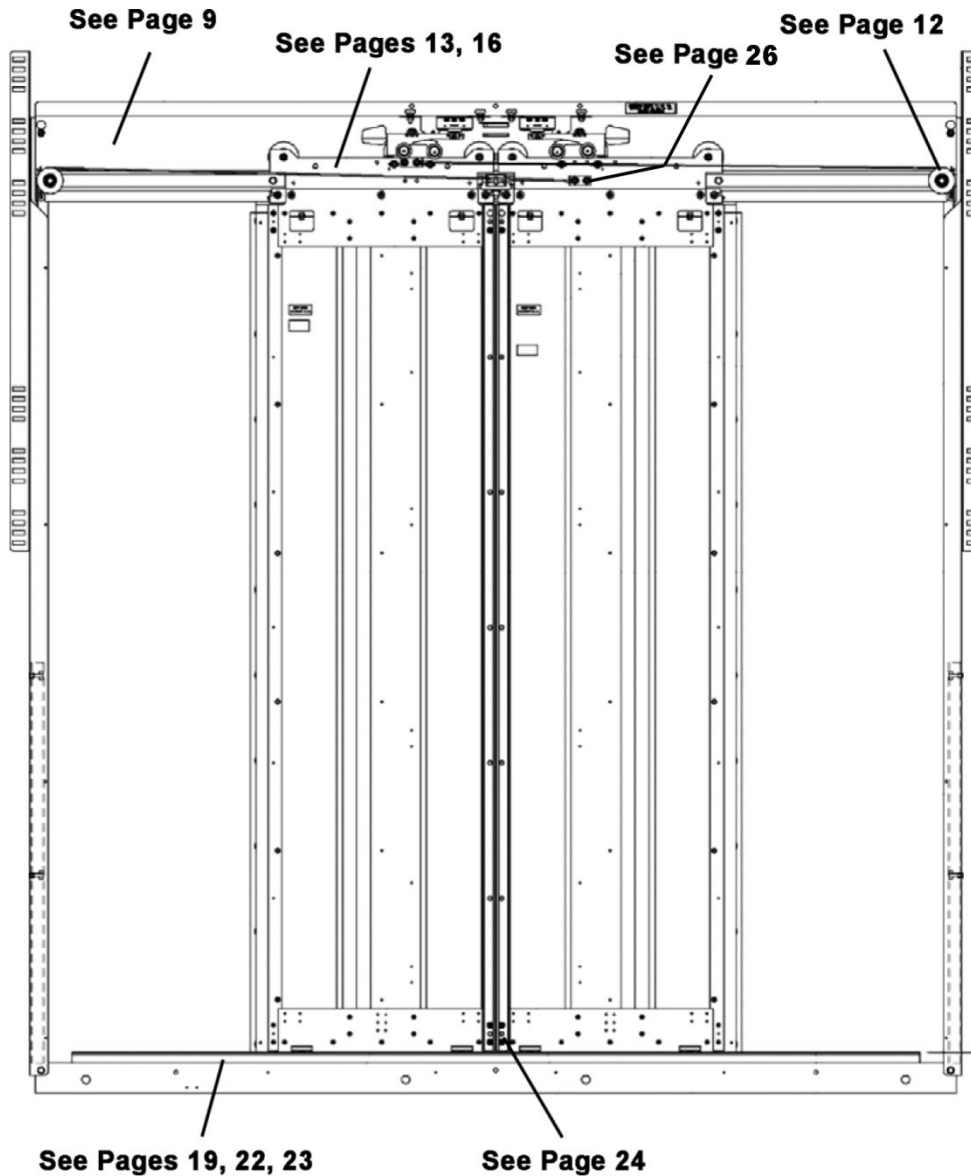
PAGE No.	DESCRIPTION
8	Header Assembly, Center-Opening w/ Single Lock
12	Weight Closer Pulley and Bumper
13, 16	Hanger Assembly, Center-Opening
17	Relating Cable
19	Sill, Center-Opening
22, 23	Sill Extension and Door Gib
24	Astragal and Sight Guard, Center-Opening

(Continued on next page)

# Table of Contents

**25-AAA23101P**

## Type AAA23101N NG Hoistway Door System: Center-Opening w/Double Lock



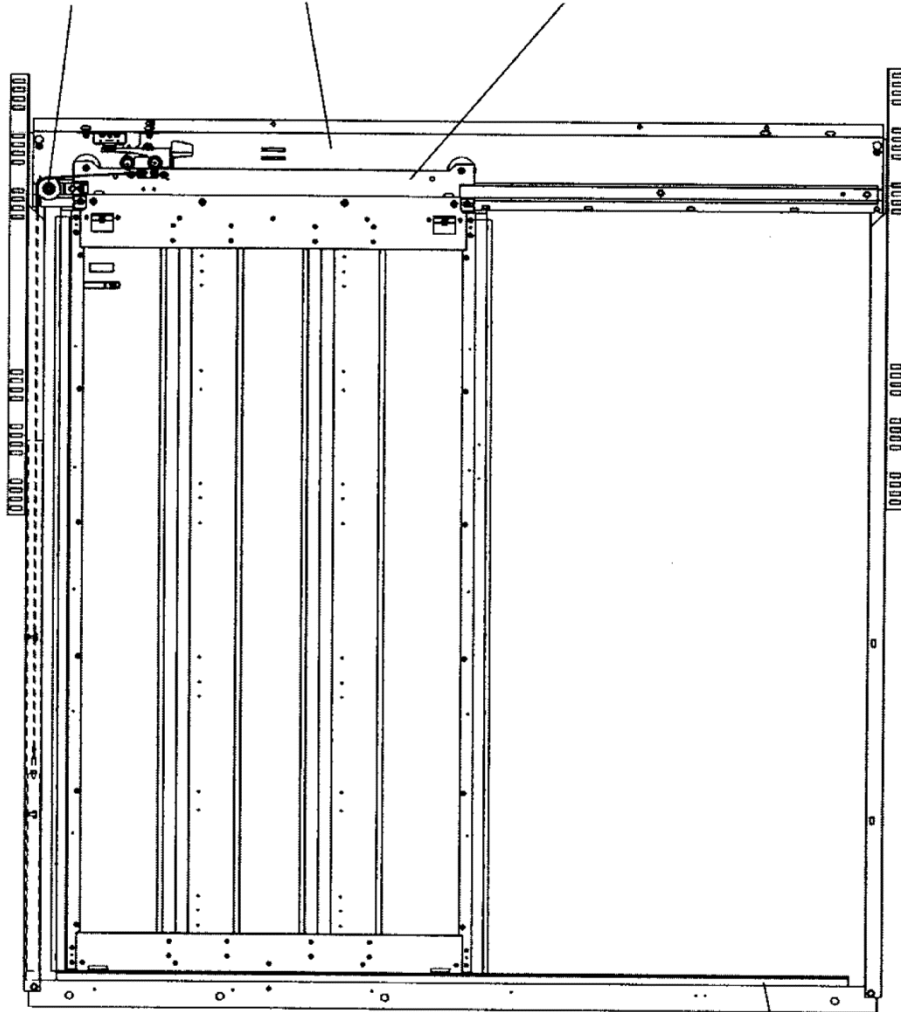
<b>PAGE No.</b>	<b>DESCRIPTION</b>
9	Header Assembly, Center-Opening w/ Double Lock
12	Weight Closer Pulley and Bumper
13, 16	Hanger Assembly, Center-Opening
19	Sill, Center-Opening
22, 23	Sill Extension and Door Gib
24	Astragal and Sight Guard, Center-Opening
26	Bracket

(Continued on next page)

# Table of Contents

**25-AAA23101P**

**Type AAA23010B NG Hoistway Door System: Single-Slide**  
 See Page 12      See Page 10      See Pages 14, 16



Single-Slide,  Shown      See Pages 20, 22, 23

<b>PAGE No.</b>	<b>DESCRIPTION</b>
10	Header Assembly, Single-Slide
12	Weight Closer Pulley and Bumper
14, 17	Hanger Assembly, Single-Slide
21	Sill, Single-Slide
22, 24	Sill Extension and Door Gib

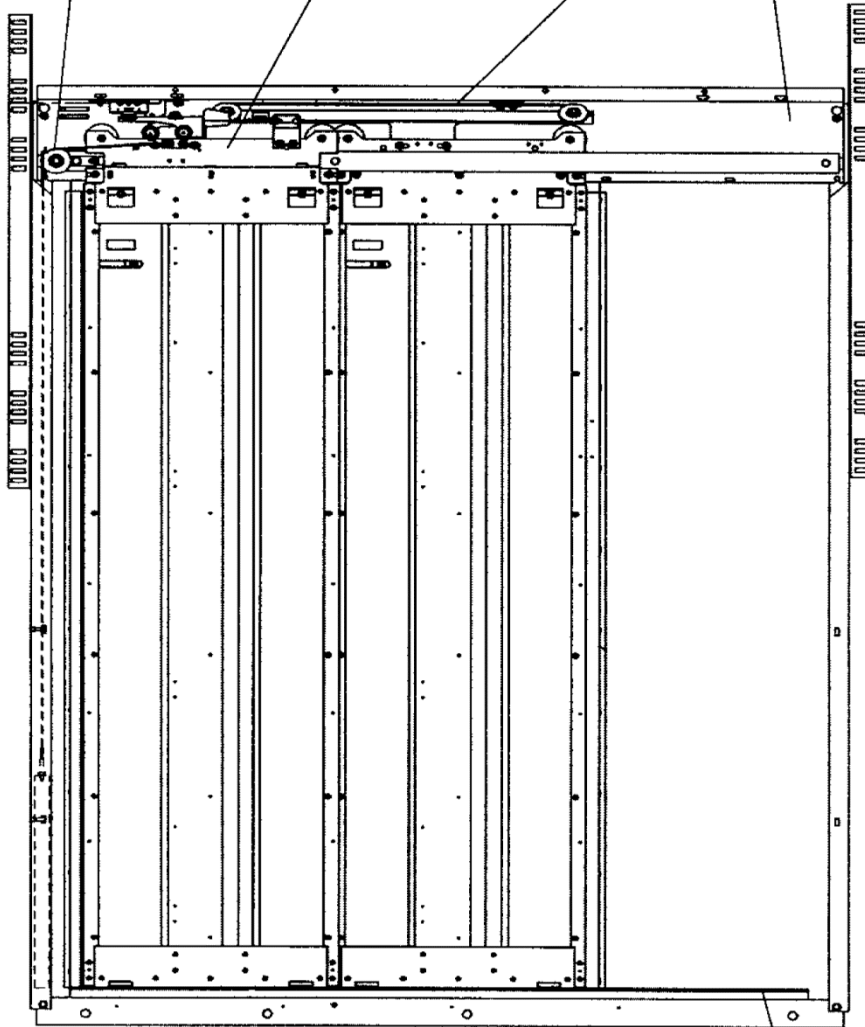
(Continued on next page)


# Table of Contents

**25-AAA23101P**

## Type AAA23050C NG Hoistway Door System: Two-Speed

See Page 12      See Pages 15, 16      See Page 18      See Page 11



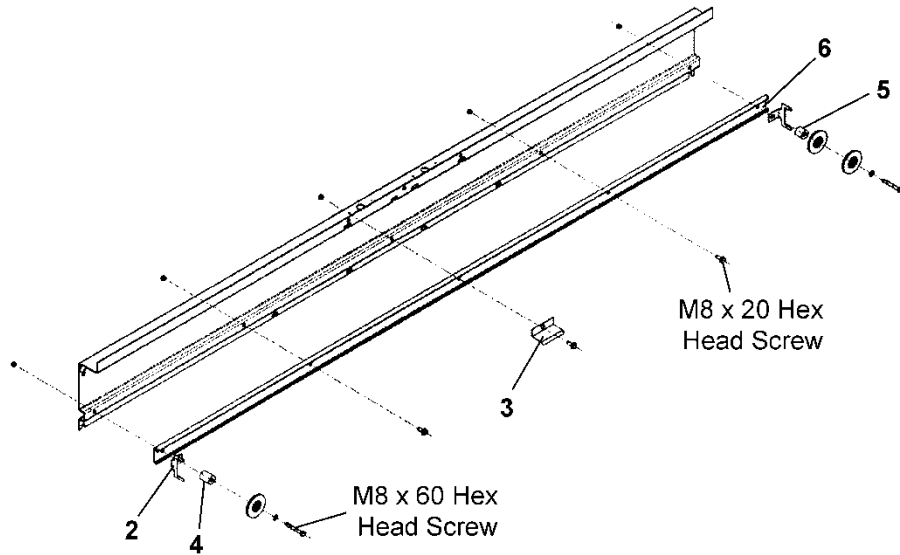
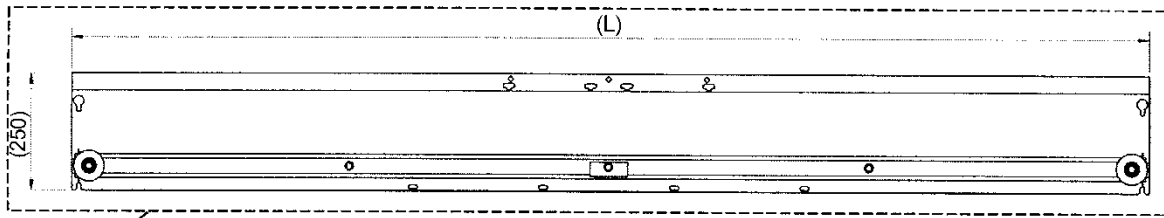
Two-Speed,  Shown      See Pages 21, 22, 23

PAGE No.	DESCRIPTION
11	Header Assembly, Two-Speed
12	Weight Closer Pulley and Bumper
15-17	Hanger Assembly, Two-Speed
19	Assembly, Relator
22	Sill Assembly, Two-Speed
23, 24	Hoistway Sill and Door Gib

# Type AAA23125B Header Assembly

## Center-Opening, Single Lock

**25-AAA23101P**



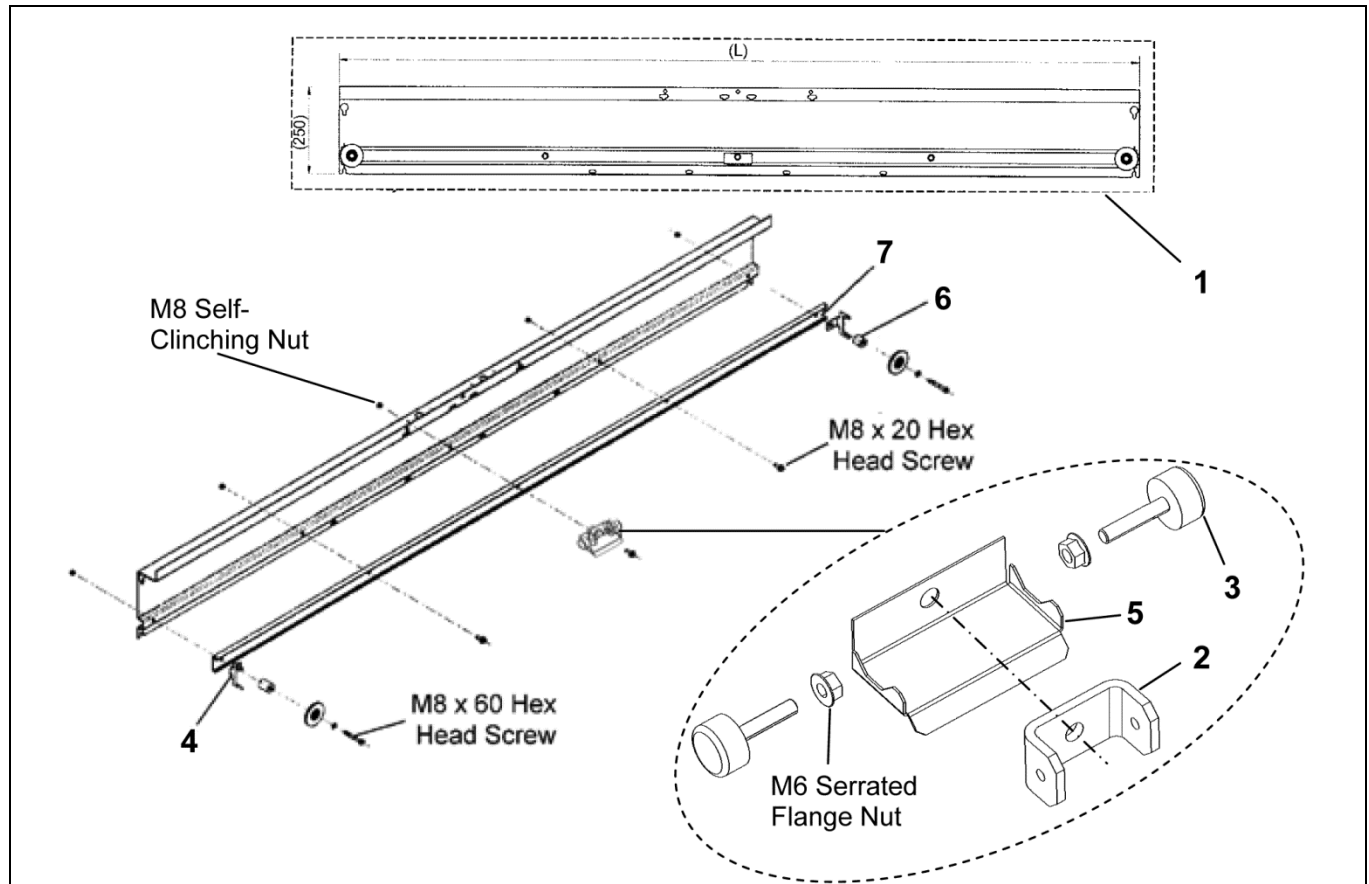
AAA23101P				
REF. No.	PART No.	DESCRIPTION	OPENING WIDTH	L
1	AAA409HS19	Assembly, Header Center-Opening, w/Single Lock	914 mm / 36 in.	1932 mm / 76.1 in.
	AAA409HS20		1067 mm / 42 in.	2238 mm / 88.1 in.
	AAA409HS21		1219 mm / 48 in.	2542 mm / 100 in.
	AAA409HS22		1372 mm / 54 in.	2848 mm / 112.1 in.
2	AAA384ARG1	Guard	All	---
3	AAA277BA1	Deflector	All	---
4	AAA462BK3	Spacer, Center-Opening w/Single Lock	All	---
5	AAA462BK5			
6	AAA483XD8	Track	914 mm / 36 in.	1918 mm / 75.5 in.
	AAA483XD9		1067 mm / 42 in.	2224 mm / 87.6 in.
	AAA483XD10		1219 mm / 48 in.	2528 mm / 99.5 in.
	AAA483XD11		1372 mm / 54 in.	2834 mm / 111.6 in.
	AAA483XD999-2823-BLANK	Track Shape, w/o Holes	---	2823 mm / 111.14 in.



# Type AAA23125A Header Assembly

**25-AAA23101P**

## Center-Opening, Double Lock

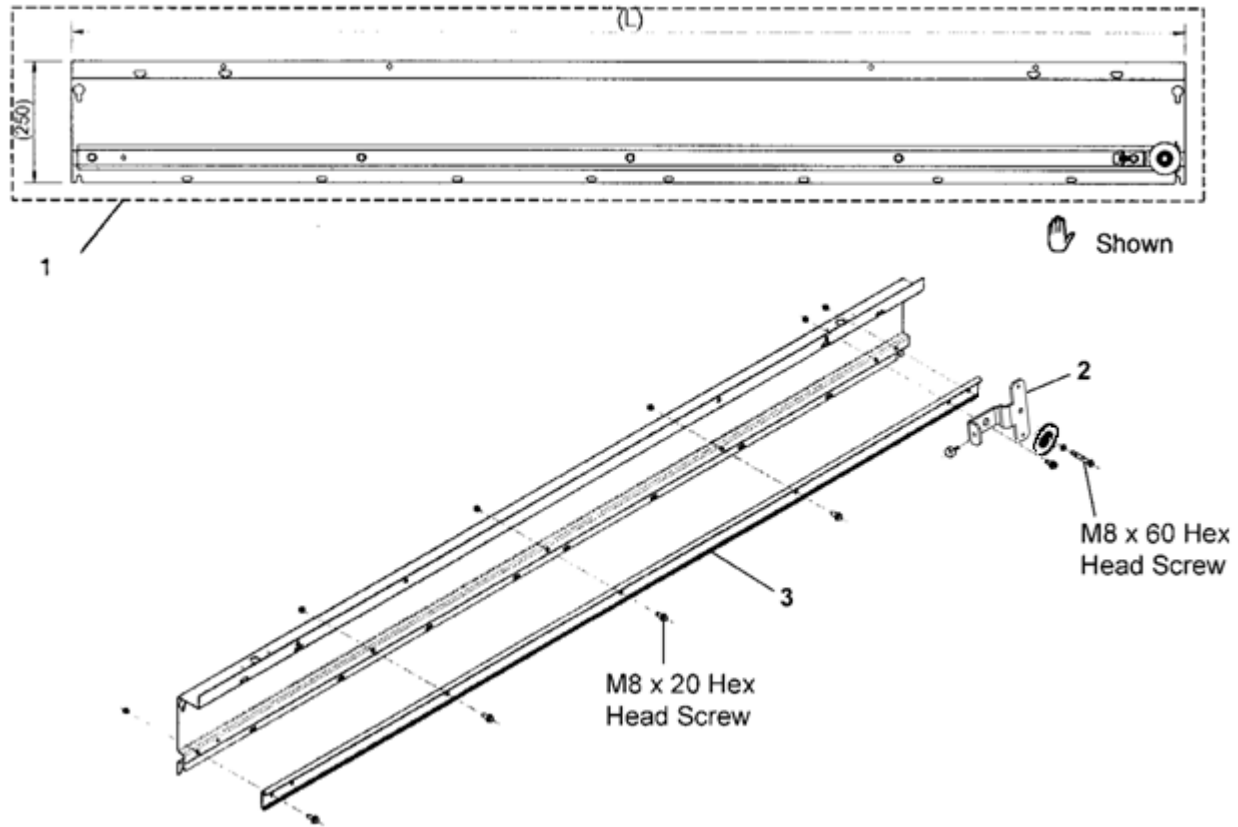


AAA23101N				
REF. No.	PART No.	DESCRIPTION	OPENING WIDTH	L
1	AAA409HS8	Assembly, Header Center-Opening, w/Double Lock	914 mm / 36 in.	1932 mm / 76.1 in.
	AAA409HS9		1067 mm / 42 in.	2238 mm / 88.1 in.
	AAA409HS10		1219 mm / 48 in.	2542 mm / 100 in.
	AAA409HS11		1372 mm / 54 in.	2848 mm / 112.1 in.
2	AAA316HDT1	Bracket	All	---
3	AAA320EG1	Bumper		
4	AAA384ARG1	Guard		
5	AAA277BA3	Deflector		
6	AAA462BK5	Spacer, Center-Opening w/Double Lock		
7	AAA483XD8	Track	914 mm / 36 in.	1918 mm / 75.5 in.
	AAA483XD9		1067 mm / 42 in.	2224 mm / 87.6 in.
	AAA483XD10		1219 mm / 48 in.	2528 mm / 99.5 in.
	AAA483XD11		1372 mm / 54 in.	2834 mm / 111.6 in.
	AAA483XD999- 2823-BLANK	Track Shape, w/o Holes	---	2823 mm / 111.14 in.

# Type AAA23010A Header

## Single-Slide

**25-AAA23101P**

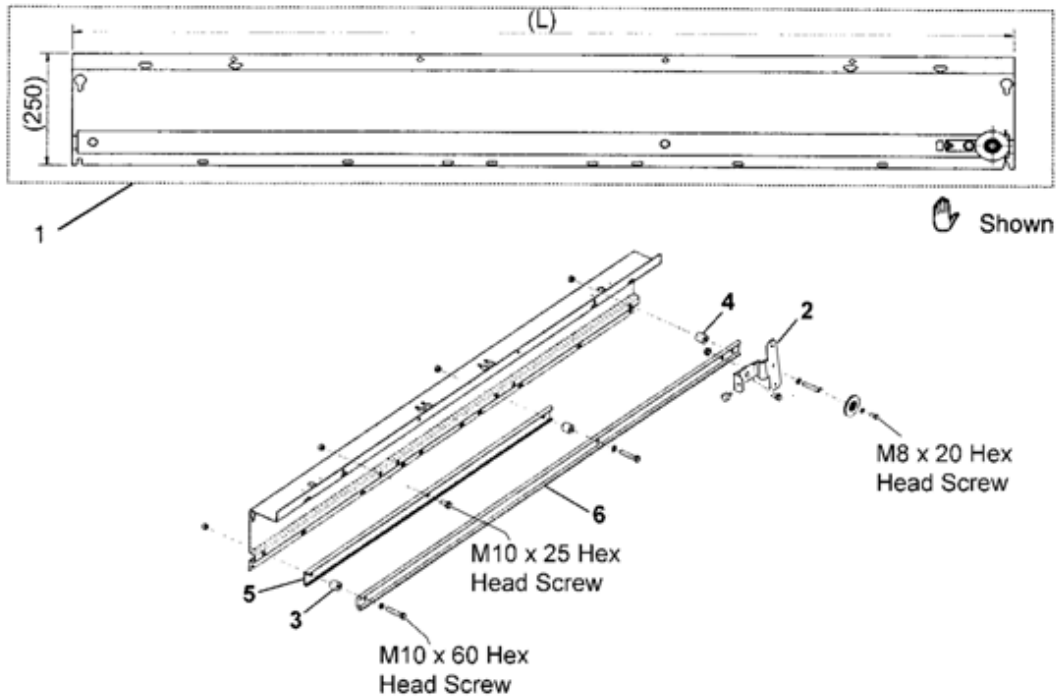


AAA23010B					
REF. No.	PART No.	DESCRIPTION	HAND	OPENING WIDTH	L
1	AAA409HW1	Assembly, Header Single-Slide	⤴	914 mm / 36 in.	2012 mm / 79.2 in.
	AAA409HW2		⤵		
	AAA409HW3		⤴	1067 mm / 42 in.	2318 mm / 91.2 in.
	AAA409HW4		⤵		
2	AAA316HKT1	Bracket		All	---
3	AAA483XD12	Track		914 mm / 36 in.	1988 mm / 78.3 in.
	AAA483XD13			1067 mm / 42 in.	2294 mm / 90.3 in.
	AAA483XD999-2823-BLANK	Track Shape, w/o Holes		---	2823 mm / 111.14 in.

# Type AAA23050E Header

## Two-Speed

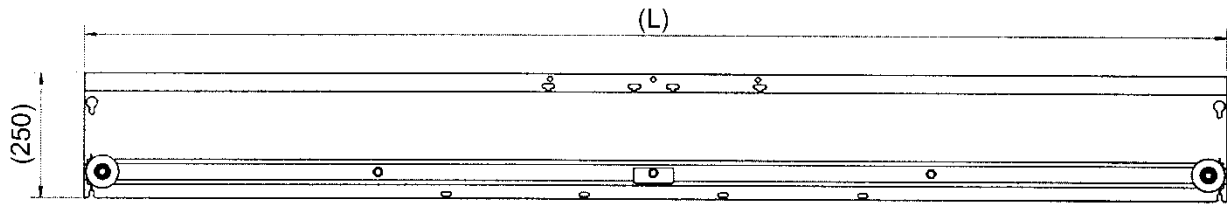
**25-AAA23101P**



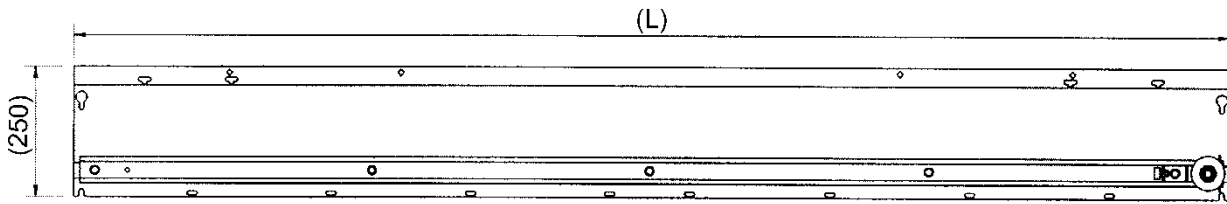
AAA23050C					
REF. No.	PART No.	DESCRIPTION	HAND	OPENING WIDTH	L
1	AAA409HY15	Assembly, Header Two-Speed		1219 mm / 48 in.	2003 mm / 78.9 in.
	AAA409HY16				
	AAA409HY17			1372 mm / 54 in.	2232 mm / 87.9 in.
	AAA409HY18				
2	AAA316HGE1	Bracket		All	---
3	AAA462BK1	Spacer		All	---
4	AAA462BK2			All	---
5	AAA483XD21	Track		1219 mm / 48 in.	1287 mm / 50.7 in.
	AAA483XD22			1372 mm / 54 in.	1440 mm / 56.7 in.
	AAA483XD999-2823-BLANK	Track Shape, w/o Holes		---	2823 mm / 111.14 in.
6	AAA483XE8	Track		1219 mm / 48 in.	1982.5 mm / 78 in.
	AAA483XE9			1372 mm / 54 in.	2212 mm / 87 in.
	AAA483XE101	Track Shape, w/o Holes		---	2500 mm / 98.43 in.


# Weight Closer Pulley and Bumper

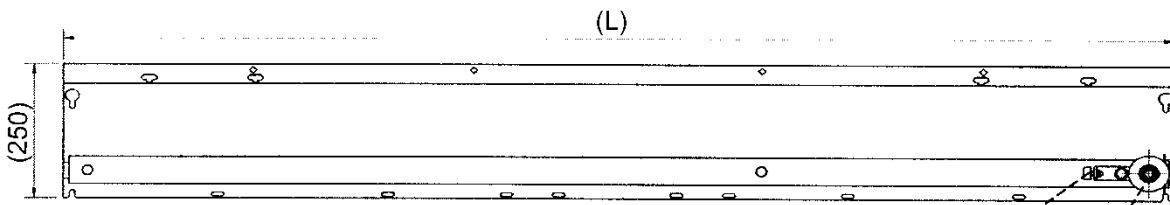
**25-AAA23101P**




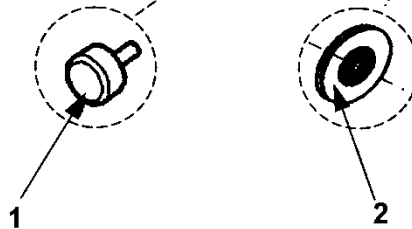
Center-Opening



Single-Slide,  Shown



Two-Speed,  Shown



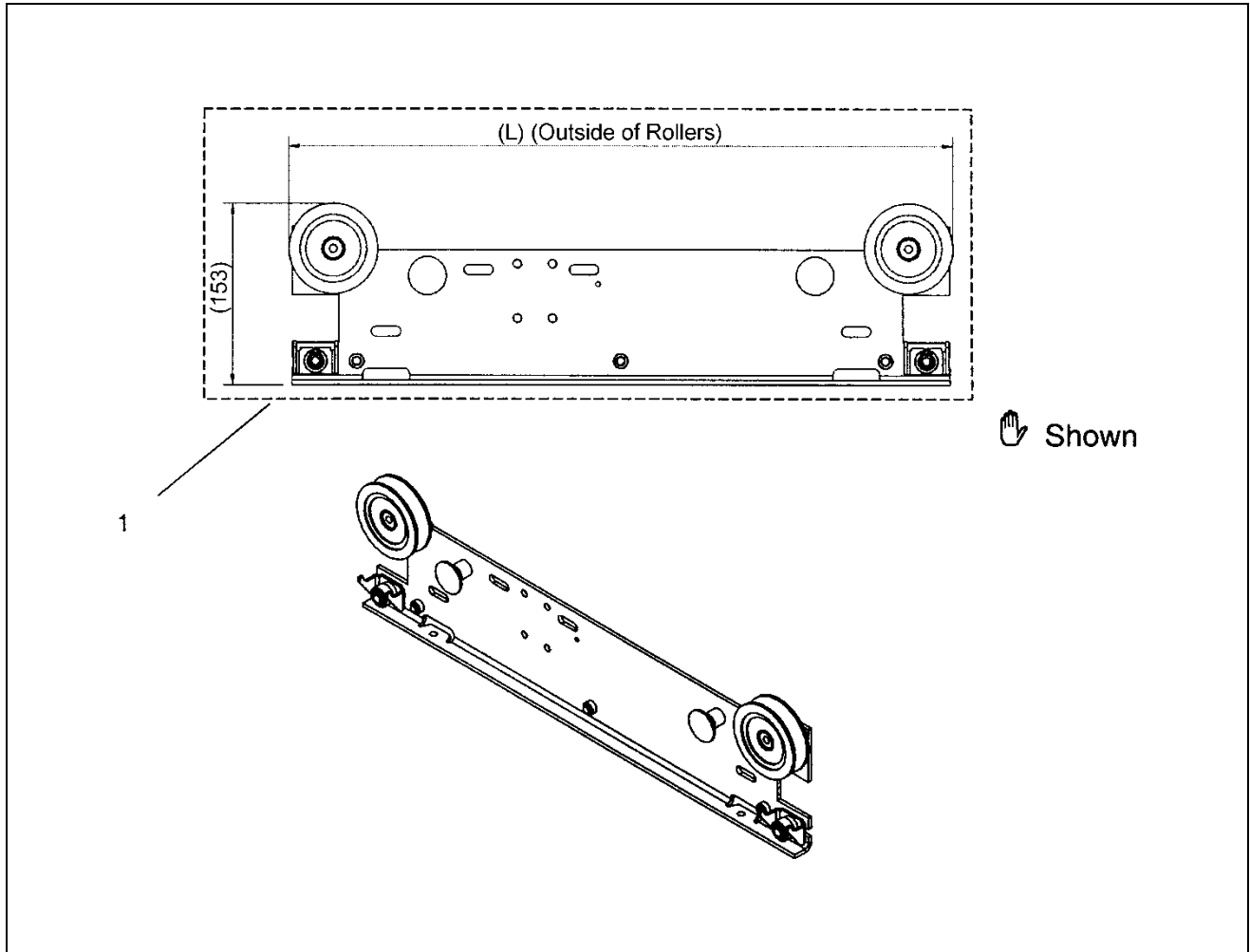
**AAA23101P**  
**AAA23101N**  
**AAA23010B**  
**AAA23050C**

REF. No.	PART No.	DESCRIPTION
1	AAA320EG1	Bumper
2	FAA198V1	Pulley

# Type AAA23120A Hanger Assembly

**25-AAA23101P**

## Center-Opening, NG Hoistway Door



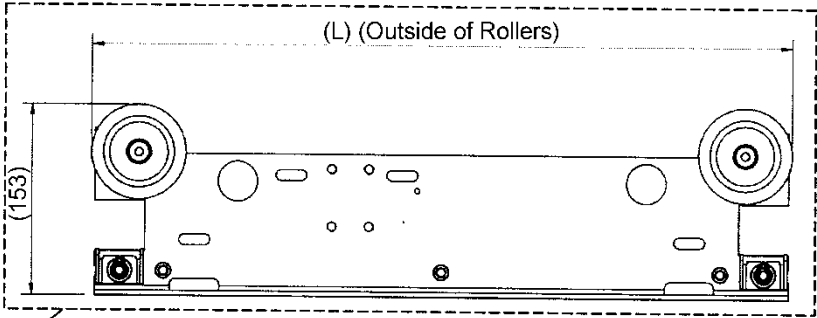
Hand icon Shown

REF. No.	PART No.	DESCRIPTION	HAND	OPENING WIDTH	L
1	AAA23101P AAA23101N				
	AAA23120A15	Assembly, Hanger Center-Opening NG Hoistway Door	Hand icon	914 mm / 36 in.	473 mm / 18.6 in.
	AAA23120A16		Hand icon		
	AAA23120A17		Hand icon	1067 mm / 42 in.	549.5 mm / 21.6 in.
	AAA23120A18		Hand icon		
	AAA23120A19		Hand icon	1219 mm / 48 in.	625.5 mm / 24.6 in.
	AAA23120A20		Hand icon		
	AAA23120A21		Hand icon	1372 mm / 54 in.	702 mm / 27.6 in.
AAA23120A22	Hand icon				

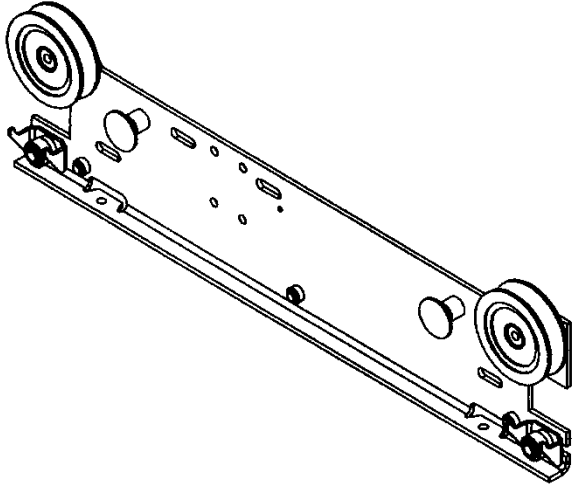
# Type AAA23120A Hanger Assembly

## Single-Slide, NG Hoistway Door

**25-AAA23101P**



1 ↵ Shown

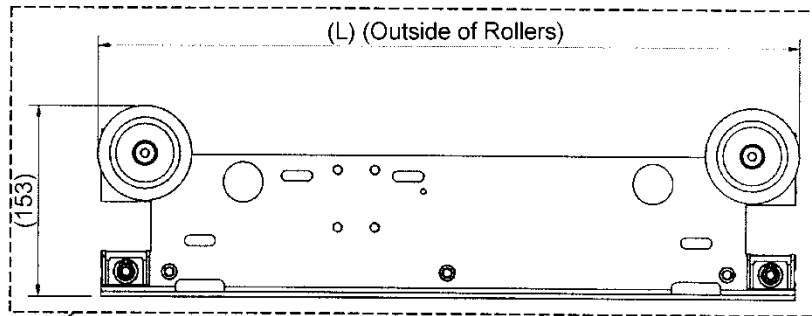


<b>AAA23010B</b>					
<b>REF. No.</b>	<b>PART No.</b>	<b>DESCRIPTION</b>	<b>HAND</b>	<b>OPENING WIDTH</b>	<b>LENGTH L</b>
1	AAA23120A23	Assembly, Hanger Single-Slide NG Hoistway Door	↵	914 mm / 36 in.	952 mm / 37.5 in.
	AAA23120A24		↵		
	AAA23120A25		↵	1067 mm / 42 in.	1105 mm / 43.5 in.
	AAA23120A26		↵		

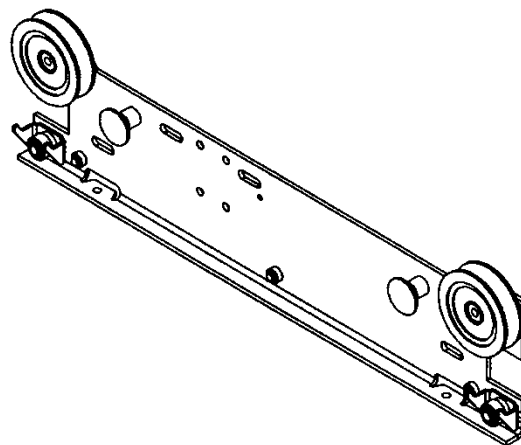
# Type AAA23120A Hanger Assembly

**25-AAA23101P**

## Two-Speed, NG Hoistway Door



Hand icon Shown



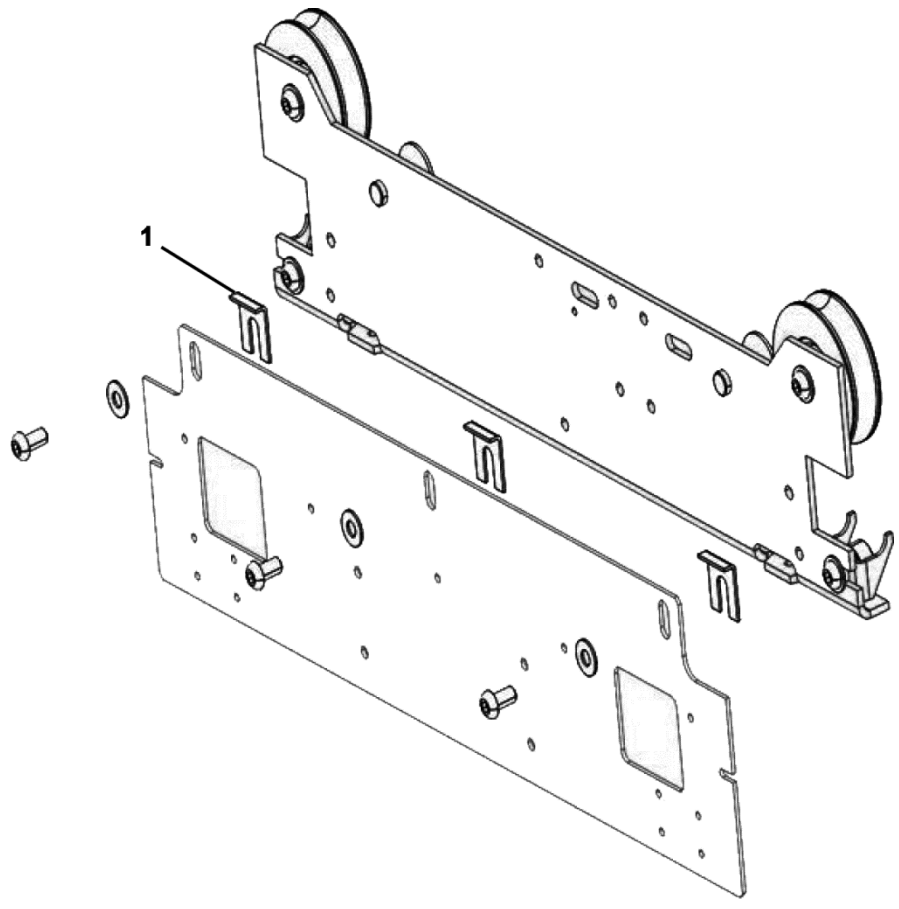
AAA23050C					
REF. No.	PART No.	DESCRIPTION	HAND	OPENING WIDTH	LENGTH L
1*	AAA23120A41	Assembly, Hanger Two-Speed, NG Hoistway Door	Hand icon	1219 mm / 48 in.	637.5 mm / 25.1 in.
	AAA23120A42		Hand icon		
	AAA23120A43		Hand icon	1372 mm / 54 in.	714 mm / 28.1 in.
	AAA23120A44		Hand icon		

\* For two-speed, left hand (or right hand) arrangement, the hanger assembly for fast door and slow door is the same.

# Type AAA23120A Hanger Assembly

## Center-Opening, Single-Slide, and Two-Speed NG Hoistway Doors

**25-AAA23101P**



**AAA23101P**  
**AAA23101N**  
**AAA23010B**  
**AAA23050C**

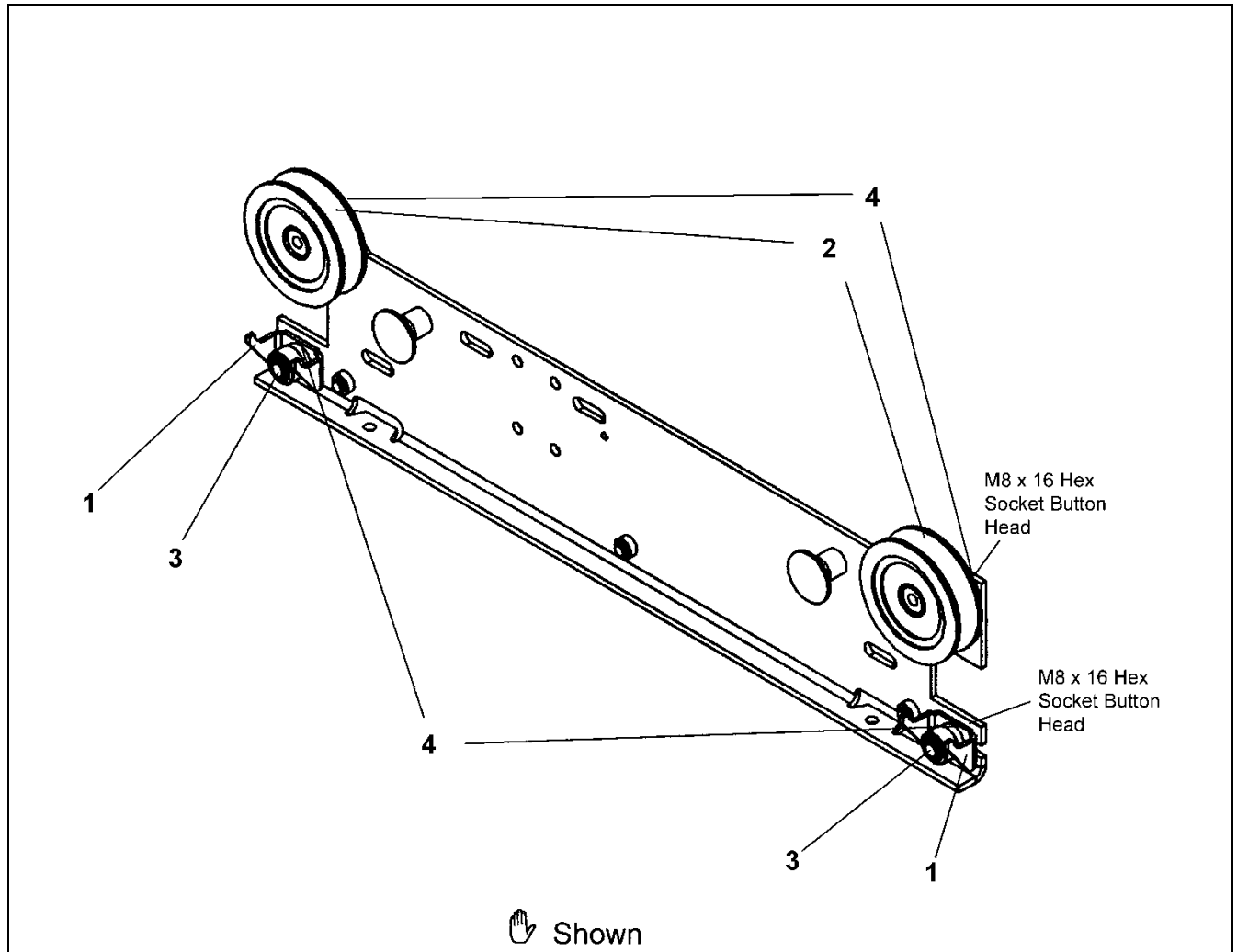
REF. No.	PART No	DESCRIPTION
1	AAA255ML1	Shim



# Type AAA23120A Hanger Assembly

**25-AAA23101P**

## Center-Opening, Single-Slide, and Two-Speed NG Hoistway Doors



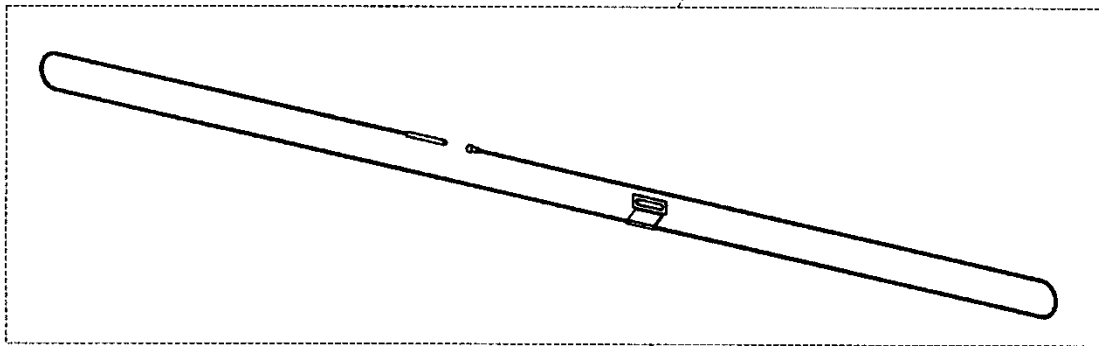
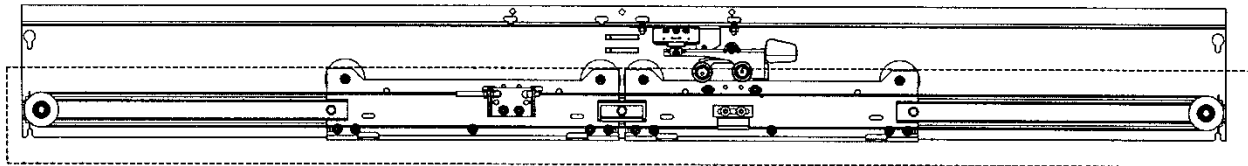
**AAA23101P**  
**AAA23101N**  
**AAA23010B**  
**AAA23050C**

REF. No.	PART No	DESCRIPTION
1	AAA316HEB1	Bracket
2	AAA456ZB1	Roller
3	AAA456YZ1	Roller, Upthrust
4	AAA130BP3	Washer, Lock

# Relating Cable

**25-AAA23101P**

**For Type AAA23101P Center-Opening,  
Single Lock, NG Hoistway Door**



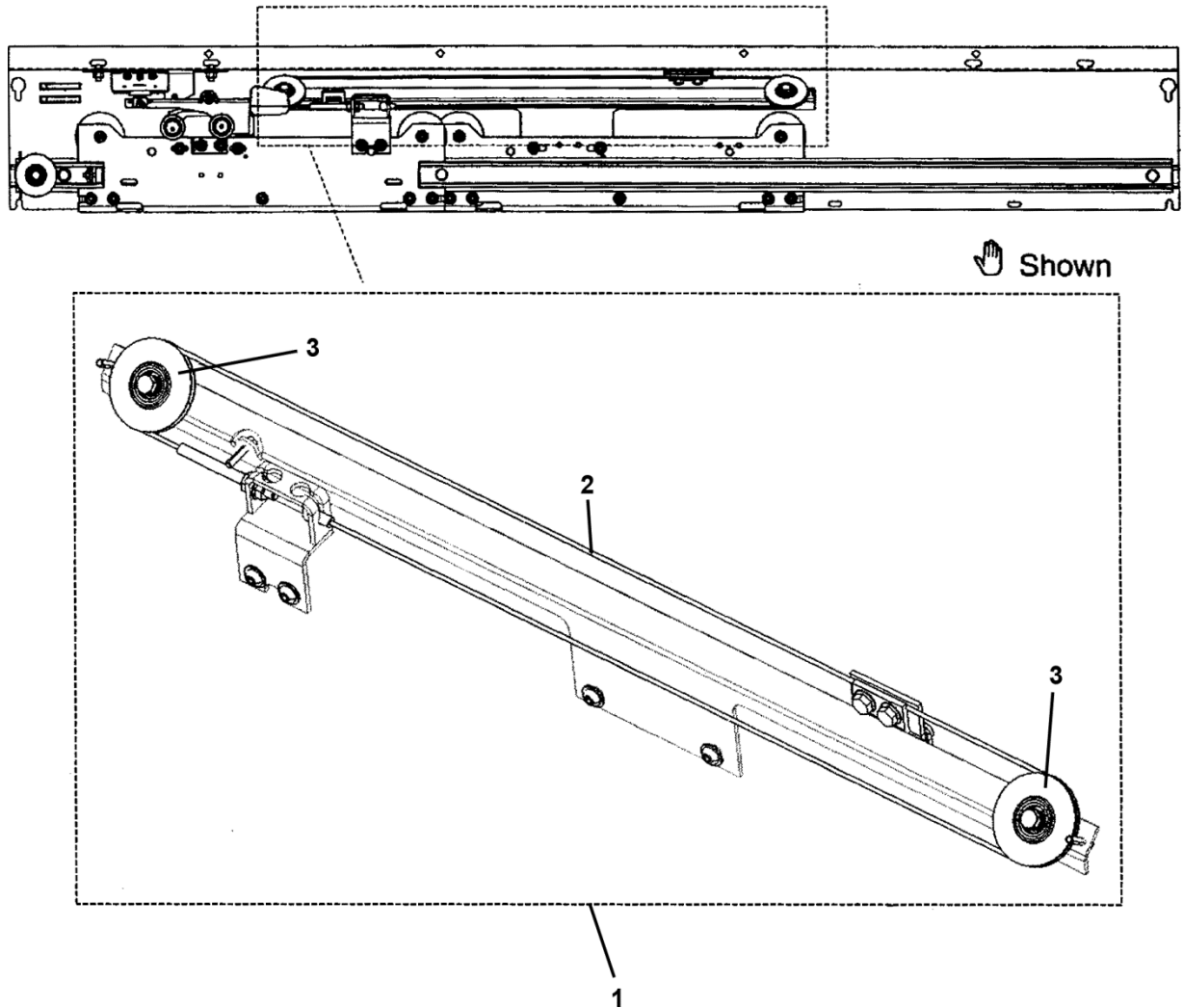
1

AAA23101P			
REF. No.	PART No.	DESCRIPTION	OPENING WIDTH (mm)
1	AAA712AA8	Cable, Relating	914 mm / 36 in.
	AAA712AA9		1067 mm / 42 in.
	AAA712AA10		1219 mm / 48 in.
	AAA712AA11		1372 mm / 54 in.

# Relating Cable

**25-AAA23101P**

**For Type AAA23050C Two-Speed,  
NG Hoistway Door**

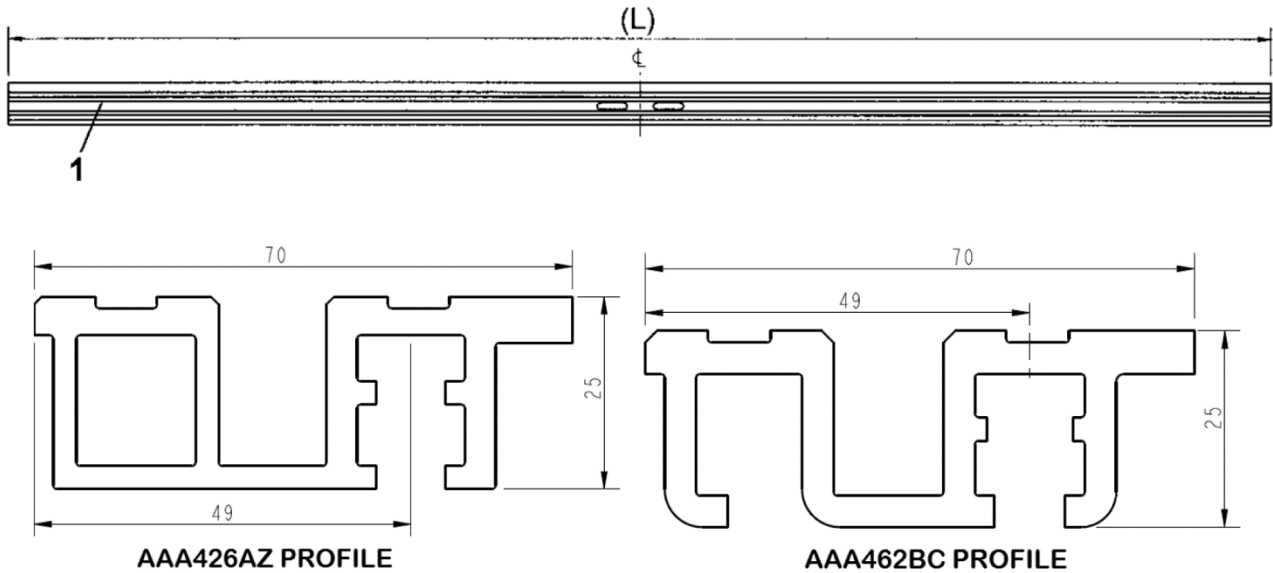


AAA23050C				
REF. No.	PART No.	DESCRIPTION	HAND	OPENING WIDTH (mm)
1	AAA23050D15	Assembly, Two-Speed Relator	LH	1219 mm / 48 in.
	AAA23050D16		RH	
	AAA23050D17		LH	1372 mm / 54 in.
	AAA23050D18		RH	
2	AAA712AB8	Cable, Relating	---	1219 mm / 48 in.
	AAA712AB9		---	1372 mm / 54 in.
3	FAA198V1	Pulley	---	---

# Hoistway Sill

**25-AAA23101P**

## Center-Opening, NG Door



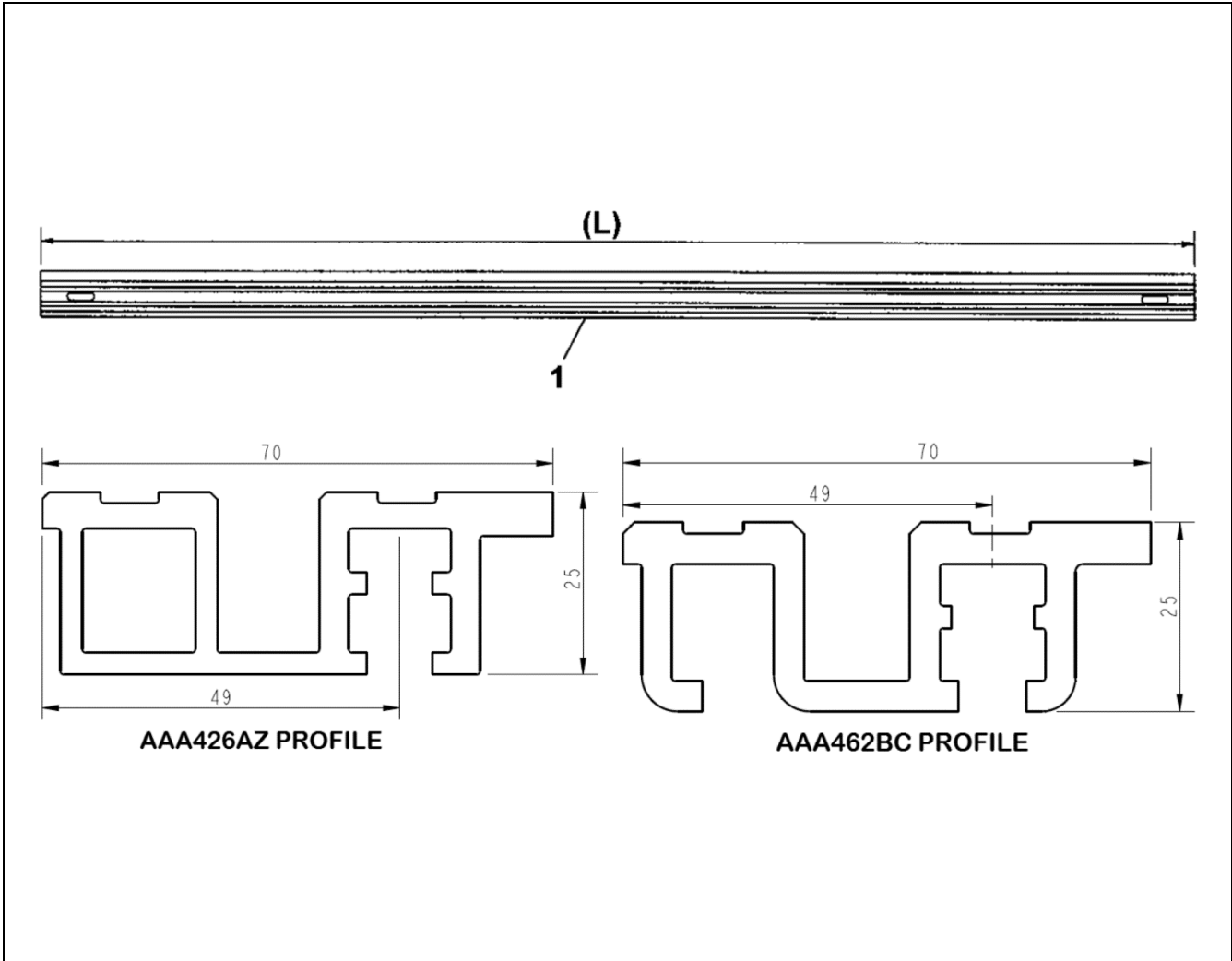
REF. No.	PART No.	DESCRIPTION	MATERIAL	L	OPENING WIDTH
1	AAA23101P AAA23101N				
	AAA426AZ8	Sill	Aluminum	1748 mm / 68.8 in.	914 mm / 36 in.
	AAA426AZ9			2054 mm / 80.9 in.	1067 mm / 42 in.
	AAA426AZ10			2358 mm / 92.8 in.	1219 mm / 48 in.
	AAA426AZ11			2664 mm / 104.9 in.	1372 mm / 54 in.
	AAA426AZ24	Shape, no slots		---	
	AAA426BC8 – ___	Sill,  NOTE	Bronze or Nickel Silver	1748 mm / 68.8 in.	914 mm / 36 in.
	AAA426BC9 – ___			2054 mm / 80.9 in.	1067 mm / 42 in.
	AAA426BC10 – ___			2358 mm / 92.8 in.	1219 mm / 48 in.
	AAA426BC11 – ___			2664 mm / 104.9 in.	1372 mm / 54 in.
AAA426BC24 – ___	Shape, no slots,  NOTE		---		

**NOTE:** For bronze, add suffix “BR” to the sill part number. For example: AAA426BC8–BR. For nickel silver, add suffix “NS” to the sill part number. For example: AAA426BC8–NS.

# Hoistway Sill

## Single-Slide, NG Door

**25-AAA23101P**



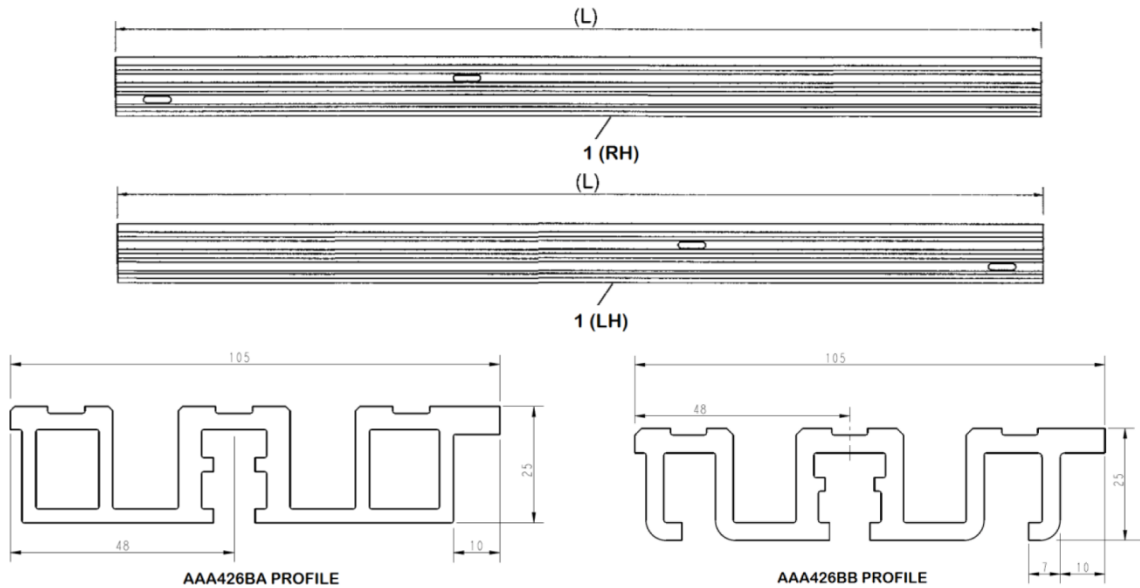
AAA23010B					
REF. No.	PART No.	DESCRIPTION	MATERIAL	L	OPENING WIDTH
1	AAA426AZ12	Sill	Aluminum	1858 mm / 73.1 in.	914 mm / 36 in.
	AAA426AZ13			2164 mm / 85.2 in.	1067 mm / 42 in.
	AAA426AZ24	Shape, no slots		2664 mm / 104.9 in.	---
	AAA426BC12 - ___	Sill,  NOTE	Bronze or Nickel Silver	1858 mm / 73.1 in.	914 mm / 36 in.
	AAA426BC13 - ___			2164 mm / 85.2 in.	1067 mm / 42 in.
	AAA426BC24	Shape, no slots,  NOTE		2664 mm / 104.9 in.	---

**NOTE:** For bronze, add suffix “BR” to the sill part number. For example: AAA426BC12–BR. For nickel silver, add suffix “NS” to the sill part number. For example: AAA426BC12–NS

# Hoistway Sill

**25-AAA23101P**

## Two-Speed, NG Door



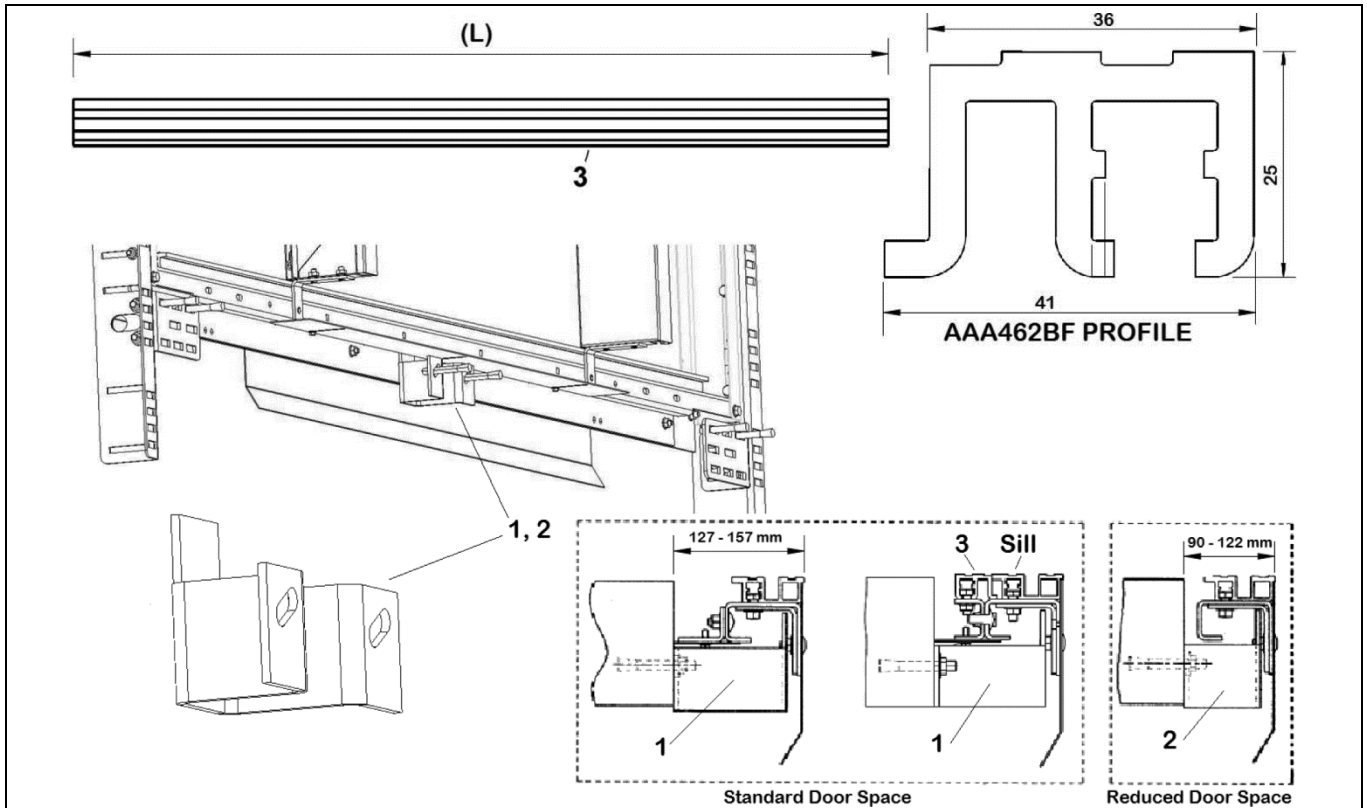
AAA23050C						
REF. No.	PART No.	DESCRIPTION	MATERIAL	Hand	L (mm)	OP (mm)
1	AAA426BA8	Sill	Aluminum	RH	1848.5 mm / 72.8 in.	1219 mm / 48 in.
	AAA426BA9				2078 mm / 81.8 in.	1372 mm / 54 in.
	AAA426BA26			LH	1848.5 mm / 72.8 in.	1219 mm / 48 in.
	AAA426BA27				2078 mm / 81.8 in.	1372 mm / 54 in.
	AAA426BA18	Shape, no slots	---	---	---	
	AAA426BB8 - ____	Sill,  NOTE	Bronze or Nickel Silver	RH	1848.5 mm / 72.8 in.	1219 mm / 48 in.
	AAA426BB9 - ____				2078 mm / 81.8 in.	1372 mm / 54 in.
	AAA426BB26 - ____			LH	1848.5 mm / 72.8 in.	1219 mm / 48 in.
	AAA426BB27 - ____				2078 mm / 81.8 in.	1372 mm / 54 in.
	AAA426BB18 - ____	Shape, no slots,  NOTE	---	---	---	

**NOTE:** For bronze, add suffix “BR” to the sill part number. For example: AAA426BB8–BR. For nickel silver, add suffix “NS” to the sill part number. For example: AAA426BB8–NS.

# Hoistway Sill and Door Gib

**25-AAA23101P**

## NG Door



**AAA23101P**  
**AAA23101N**  
**AAA23010B**  
**AAA23050C**

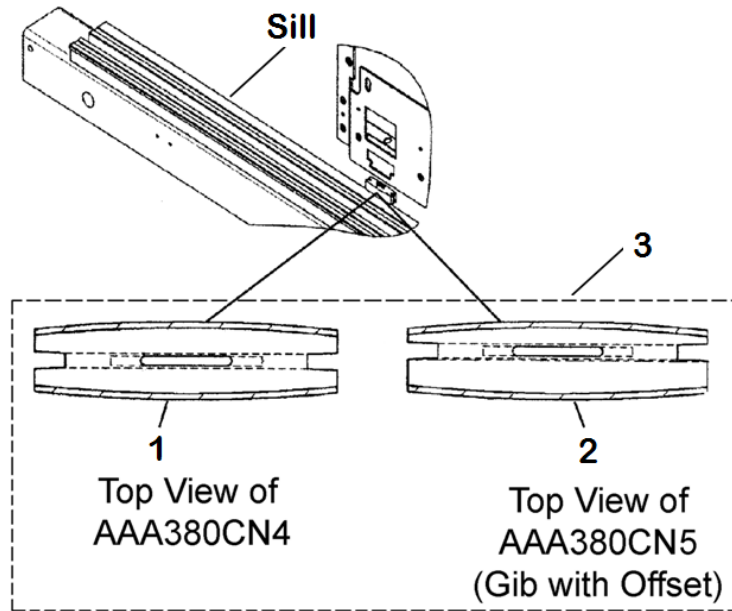
REF. No.	PART No.	DESCRIPTION	Material	L	OPENING WIDTH
1	AAA316HJX1	Bracket (for C/O and S/S Reduced Door Space 90 mm / 3.54 in. – 122 mm / 4.8 in. and 2/S Reduced Door Space 127 mm / 5 in. – 158 mm / 6.22 in.)			≥ 1100 mm / 43.3 in.
2	AAA316HJX2	Bracket (for C/O and S/S Standard Door Space 127 mm / 5 in. – 157 mm / 6.22 in. and 2/S Standard Door Space 165 mm / 6.5 in.– 193 mm / 7.6 in.)			All
3	AAA426BF8–___	Sill, Extension <b>NOTE</b>	Aluminum, Bronze or Nickel Silver	914 mm / 36 in.	914 mm / 36 in.
	AAA426BF9–___			1067 mm / 42 in.	1067 mm / 42 in.
	AAA426BF10–___			1219 mm / 48 in.	1219 mm / 48 in.
	AAA426BF11–___			1372 mm / 54 in.	1372 mm / 54 in.

**NOTE:** For aluminum, add suffix “AL” to the sill extension p/n: e.g., AAA426BF8-AL.  
 For bronze, add suffix “BR” to the sill extension p/n: e.g., AAA426BF8-BR.  
 For nickel silver, add suffix “NS” to the sill extension p/n: e.g., AAA426BF8-NS.

# Hoistway Door Gib

## NG Door

**25-AAA23101P**



**AAA23101P**  
**AAA23101N**  
**AAA23010B**  
**AAA23050C**

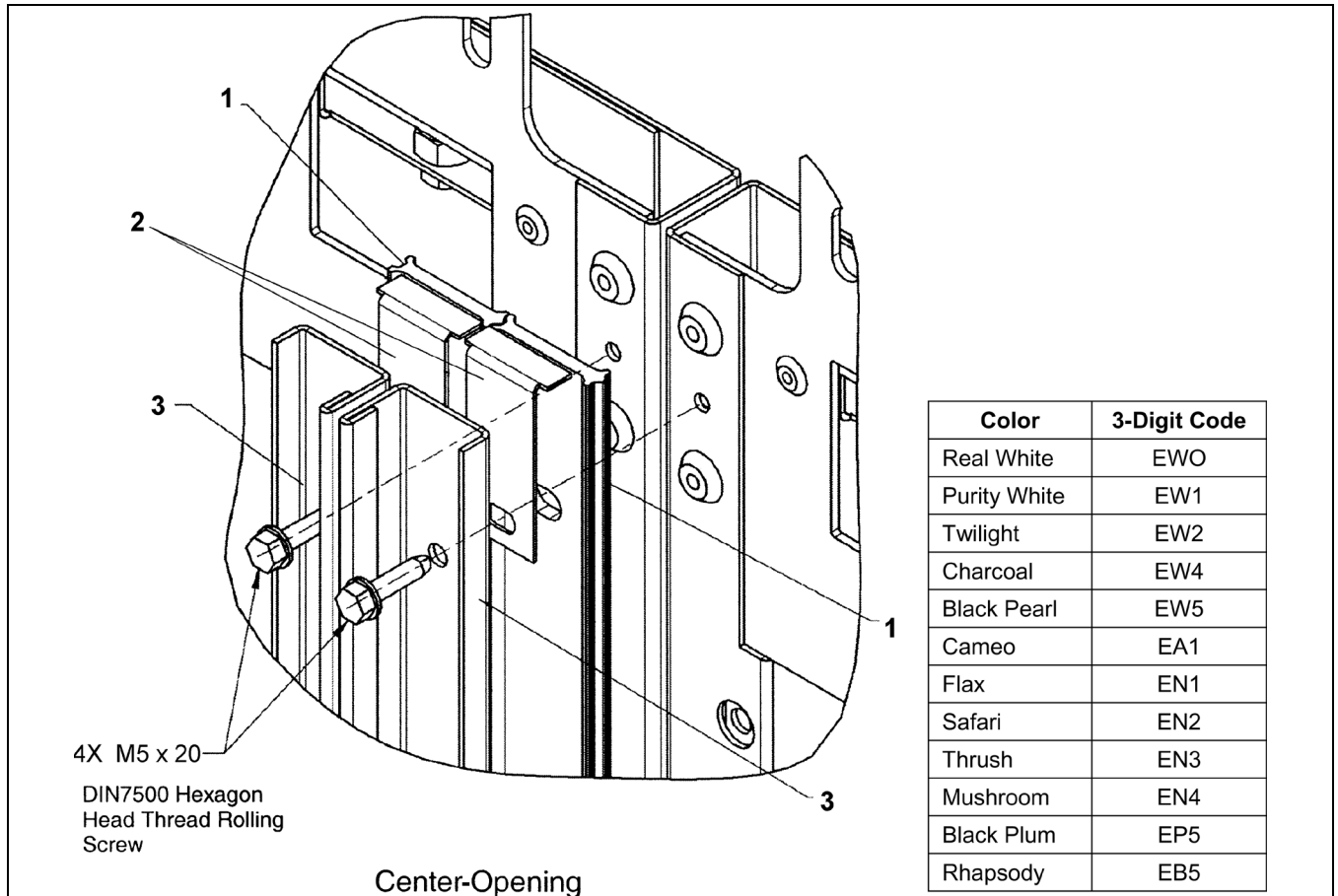
REF. No.	PART No.	DESCRIPTION
1	AAA380CN4	Gib, Without Offset
2	AAA380CN5	Gib, with Offset (used to accommodate offset between door panel and side jamb; offset range is $\pm 1.5$ mm / 0.06 in.),
3	AAA380CN400	Gib Kit, Includes: AAA380CN4 and AAA380CN5. Replace in kind with existing gib.



# Astragal & Sight Guard

**25-AAA23101P**

## NG Hoistway Door



4X M5 x 20  
DIN7500 Hexagon  
Head Thread Rolling  
Screw

Center-Opening

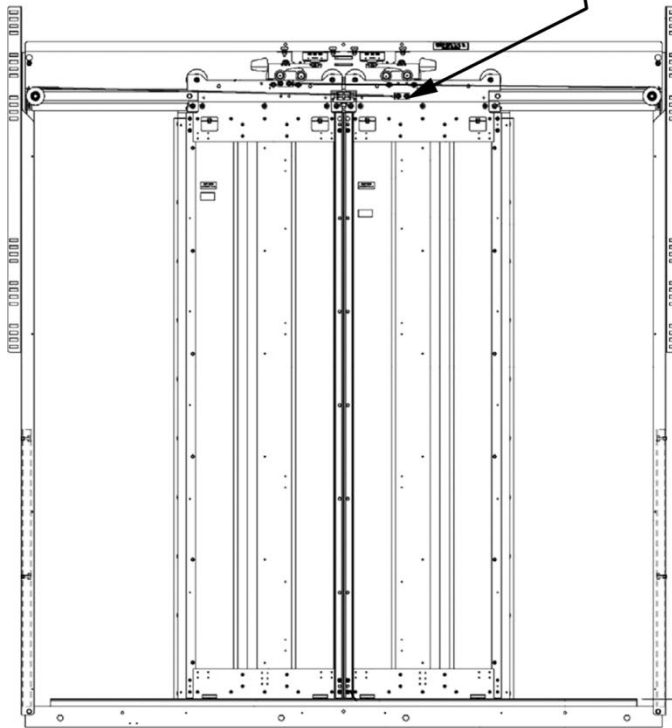
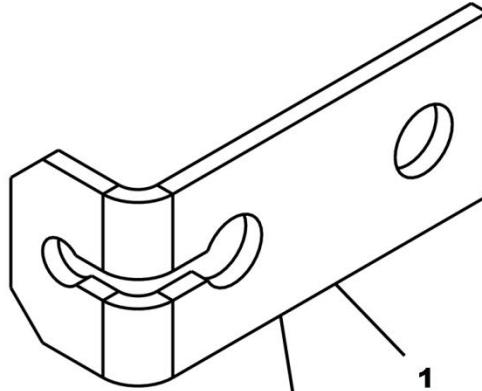
REF. No.	PART No.	DESCRIPTION	DOOR OPENING HEIGHT	LENGTH
1	AAA402AAF10	---	2134 mm / 84 in.	2149 mm / 84.6 in.
	AAA402AAF11	---	2438 mm / 96 in.	2453 mm / 96.6 in.
	AAA402AAF12	---	2743 mm / 108 in.	2758 mm / 108.6 in.
	AAA402AAF999	---	Variable	Op Height + 15
2	AAA277BA2	---	Deflector (Single-Lock Only)	
3*	AAA384AQE10-*	Guard, Sight	2134 mm / 84 in.	2149 mm / 84.6 in.
	AAA384AQE11-*		2438 mm / 96 in.	2453 mm / 96.6 in.
	AAA384AQE12-*		2743 mm / 108 in.	2758 mm / 108.6 in.

\* A 3-digit color code must be provided with orders for sight guards. See color table above.

# Aircord Bracket

**25-AAA23101P**

## NG Door: Center-Opening



REF. No.	PART No.	DESCRIPTION
1	AAA316HDY1	Bracket, Aircord