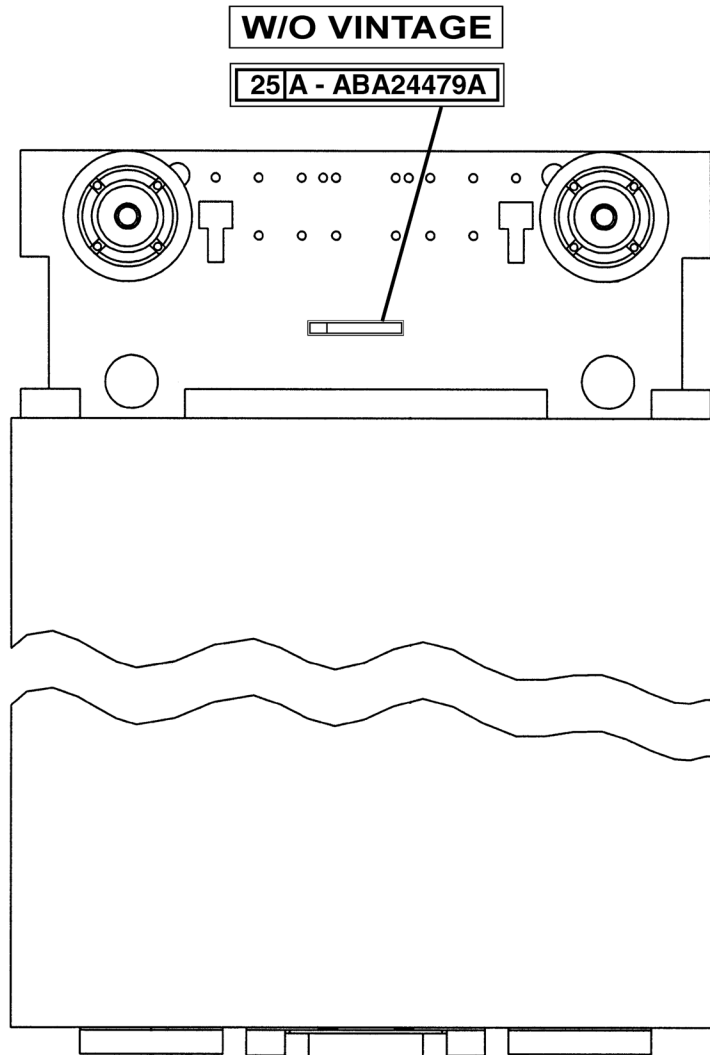


**Car & Hoistway Door
Rollers & Guides: Integral
& Applied Hangers**

**Spare Parts Leaflet
25-AAA24479A**

February 12, 2003 / Page 1 of 7

Supersedes SPL 25-AAA24479A Dated January 20, 2002



Unpublished Work—© Otis Elevator Co.; 2003

OTIS

Safety First!

SERVICE ENGINEERING
Otis Elevator Company
Bloomfield, Connecticut USA

Leaflet Description

This leaflet details the LRU parts within the integral and applied hanger hoistway and car door systems. Note that parts for vendor-supplied doors are not identified. It should be noted that drawing AAA24479A originally just covered integral hangers. Doors and door guides have historically been specified per the shipping unit order forms. Subsequent changes saw the addition of hoistway hangers and applied hangers for OVL and HPLIM equipment. Due to this fact, you will note that later applied hanger assemblies are called out in this leaflet. Earlier applied hangers (OVL), (since they were strictly referred to on the shipping unit order form and on the door system drawings type YXJ06331CL, CN, CV), are called out in the specific OVL hoistway door system SPLs (see the related documents section below). QL and i-Motion applied hanger car door system parts can be found in SPLs 19-AAA6178CT and 19-6178CH.

Leaflet Revisions

Date Revised	Subject Matter Expert	Reason for Revision
January 20, 2002	Duane Stupienski	New leaflet
February 12, 2003	Duane Stupienski	Added new vintage information, p. 1.

Related Drawings

Drawing No.	Title	Drawing No.	Title
AAA24479A	Assembly; Rollers and Door Guide	ABA24479A	Assembly; Rollers and Door Guide
AAA24479AAA	Door Guide	AAA6331CG	Hanger Assembly OVL, 2/S

Related Documents

Document ID	Title
SPL 25-AAA24479AAA	Door Bottom Guides & Retainers
SPL 25-6178R	Integral Hanger Hoistway Door Systems; Center-Opening, Single-Slide, Two-Speed
SPL 25-YXJO6331CL	Hoistway Door System (MRQ and OVL)
SPL 25-AAA6331BZ	OVL Hoistway Door System Two-Speed Doors
SPL 19-AAA24479A	Car Door System (pointer leaflet)
SPL 19-AAA6178CS	Integral Car Door Hanger & Track Assembly
SPL 19-AAA6178CT	Applied Car Door Hanger & Track Assembly
SU 13-100	Passenger Elevator Entrances-Hoistway Doors
SU 11-102	Pre-assembled Entrances
SU18-100	Car Door Detection Devices Single Double Entrances

(Continued on next page)

History (continued)

25-AAA24479A

Subject Matter Expert

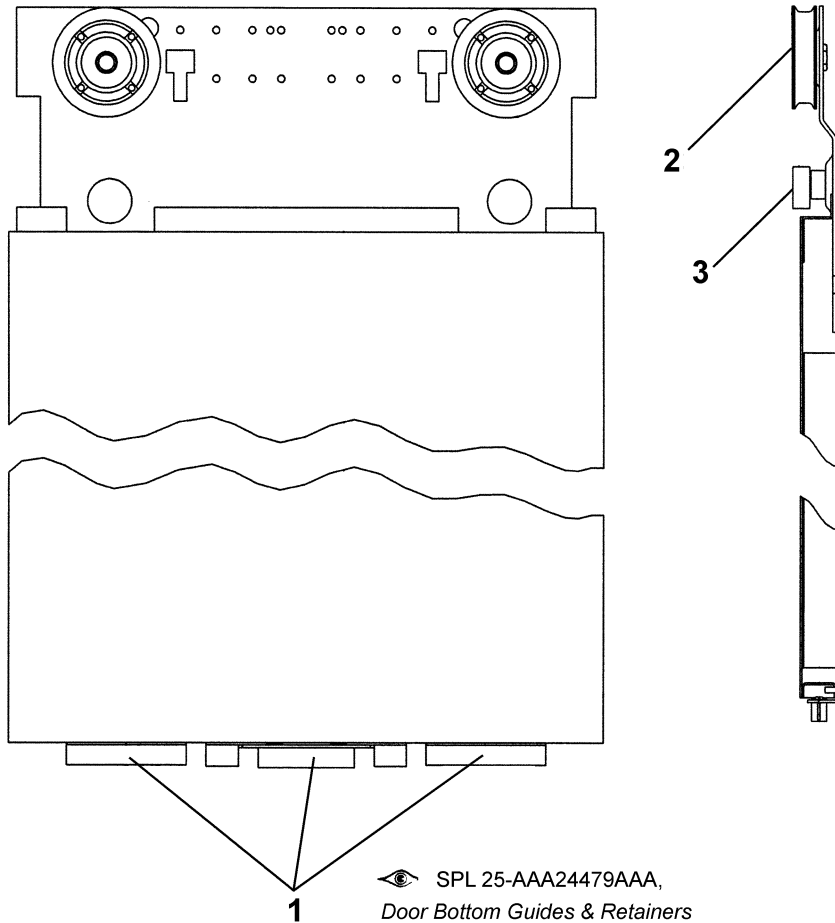
Name	Department
Duane Stupienski	OSC Service Engineering

About Spare Parts Leaflets...

This document lists the lowest replaceable units (LRUs) for the standard version of the product. The LRUs are chosen by a team of Otis associates representing engineering and manufacturing.




While goal of this document is to make parts identification as easy as possible, the document cannot be all-inclusive. Elevator and escalator contracts classified as "special" or "custom" are not addressed here. For such contracts, please refer to specified information, the contract folder, TIPs, Field Education Articles, Construction Letters, etc. for further information.

If you have any suggestions about this document, please contact the subject matter expert listed on this page.



W/O VINTAGE
AAA24479A

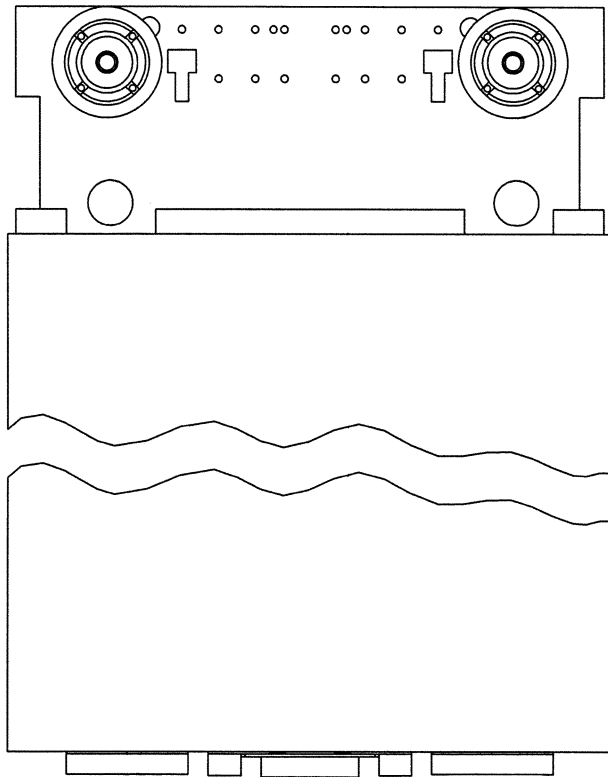
Production 1993-1998

REF. No.	PART No.	DESCRIPTION
1	---	Gib, Bottom Door Guide,  SPL 25-AAA24479AAA, Door Bottom Guides & Retainers
2	456EW1	Roller
3	456CP1	Roller, Upthrust Eccentric, L = 1.625 in.,  Single-Slide, Center-Opening, and Two-Speed (Slow) Doors, Vintage 1986–Present
	456EK1	Roller, Upthrust, L = 1.38 in.,  Two-Speed (Fast) Door (shallow clearance for passing door)


SPL 25-6178R,
Integral Hanger
Hoistway Door
Systems

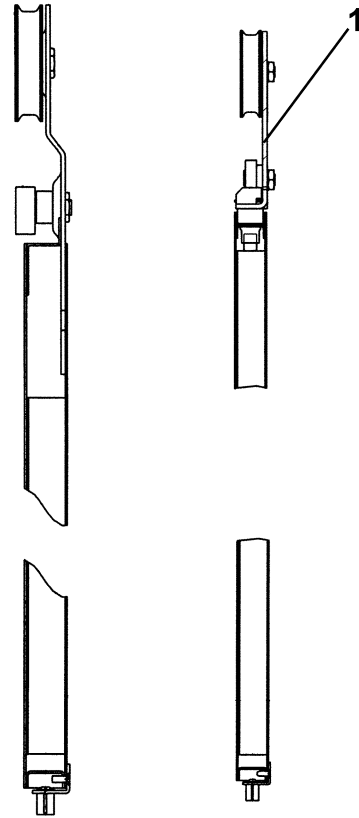
Applied Hangers & Parts-OVL (Pre-1999)

25-AAA24479A



Integral Hanger

Applied Hanger

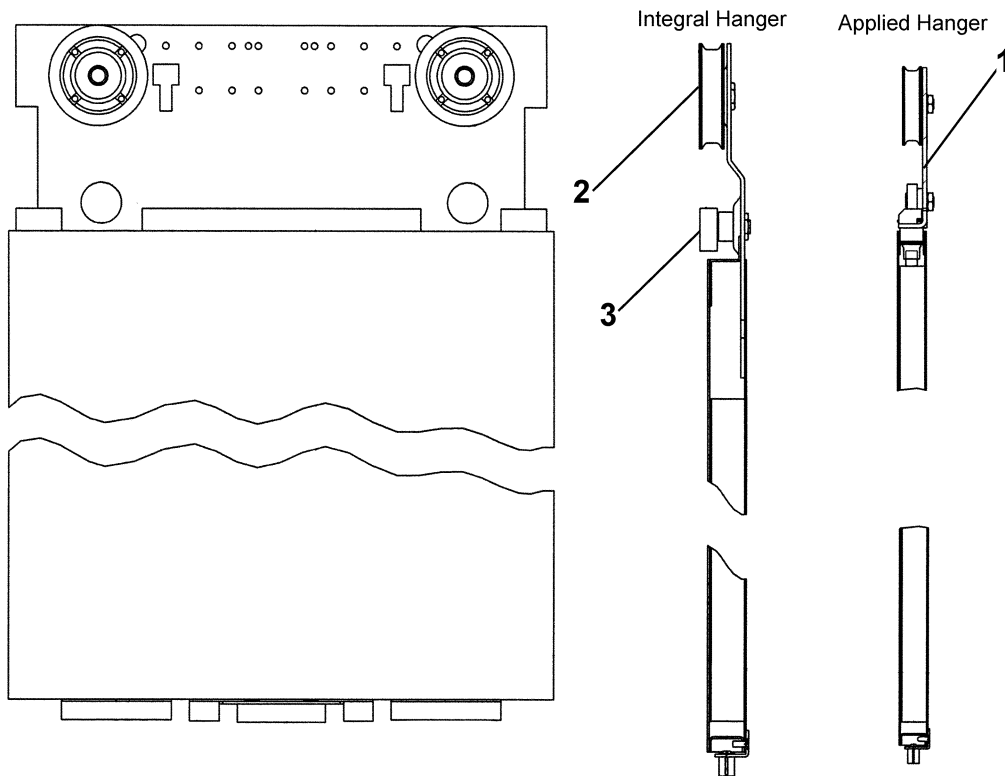


**W/O VINTAGE
AAA24479A**


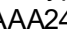

**Production
Pre-1999**

REF. No.	PART No.	DESCRIPTION
1	---	Hangers, Applied, OVL,  SPL 25-YXJO6331CL and SPL 25-AAA6331BZ

Integral & Applied Hangers (Post 1999)



**W/O VINTAGE &
ABA24479A
Production
1999-Present**

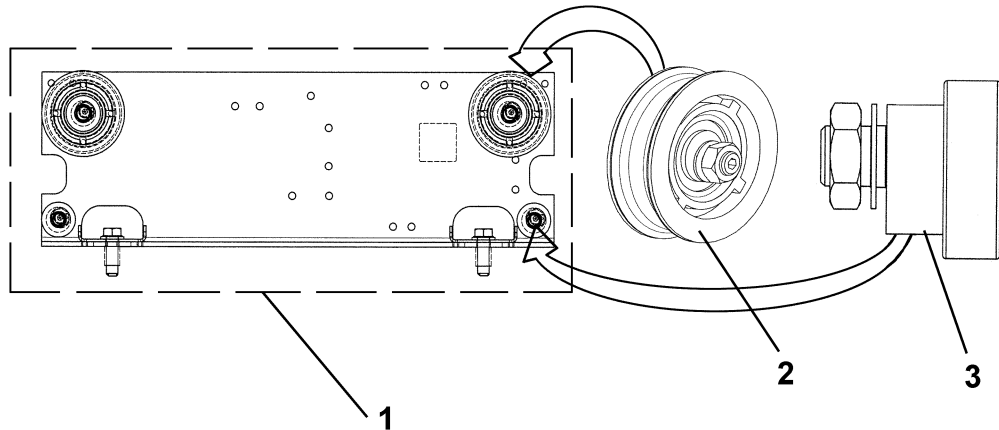
REF. No.	PART No.	DESCRIPTION
1	---	Hangers, Applied Hoistway/Car Motor Carriage Assemblies, Types A**6331CC/CD HPLIM,  SPLs 25-AAA23101J, 23-AAA24450D, and 23-AAA24470F
	---	Hangers, Applied Hoistway, OVL 2/S, Type A**6331CG,  Page 7 and NOTE 1
2	AAA456YA3	Roller, Integral Door Hanger Only, w/Hardware (non-OVL, non-HPLIM)
3	AAA456XZ5	Roller, Upthrust, w/Hardware (non-OVL, non-HPLIM)
		 Note 2 and SPLs for Integral Hanger Door Systems: SPL 25-6178R for Hoistway SPL 19-AAA6178CA for Car Door

NOTE 1: Only OVL two-speed are included here because after 1999 HPLIM was the only door system, which covered the single-slide and center-opening applications, within the higher performing door system market. Lower performing door systems typically only used integral hangers.

NOTE 2: To distinguish earlier vintage rollers with imperial threaded pins used on earlier door systems from these metric rollers, note the yellow plating on the pins within these metric rollers.

Applied Hoistway Hanger: Type A**6331CG, OVL

25-AAA24479A



**W/O VINTAGE &
ABA24479A
Production
1999-Present**

REF. No.	PART No.	DESCRIPTION	EW	HAND
1	AAA6331CG5	Assembly, Hangers (for Applied hoistway door and OVL two-speed operator). NOTE on page 6	42.0 in.	
	AAA6331CG6			
	AAA6331CG7		48.0 in.	
	AAA6331CG8			
	AAA6331CG13		1100 mm.	
	AAA6331CG14			
	AAA6331CG15		1200 mm.	
	AAA6331CG16			
2	AAA456XD1 AAA456YA4	Roller, Hanger, w/Metric Hardware		
3	456FE4 AAA456XZ6	Roller, Upthrust, w/Metric Hardware		
*	255AB165	Shim		

* Part not shown.