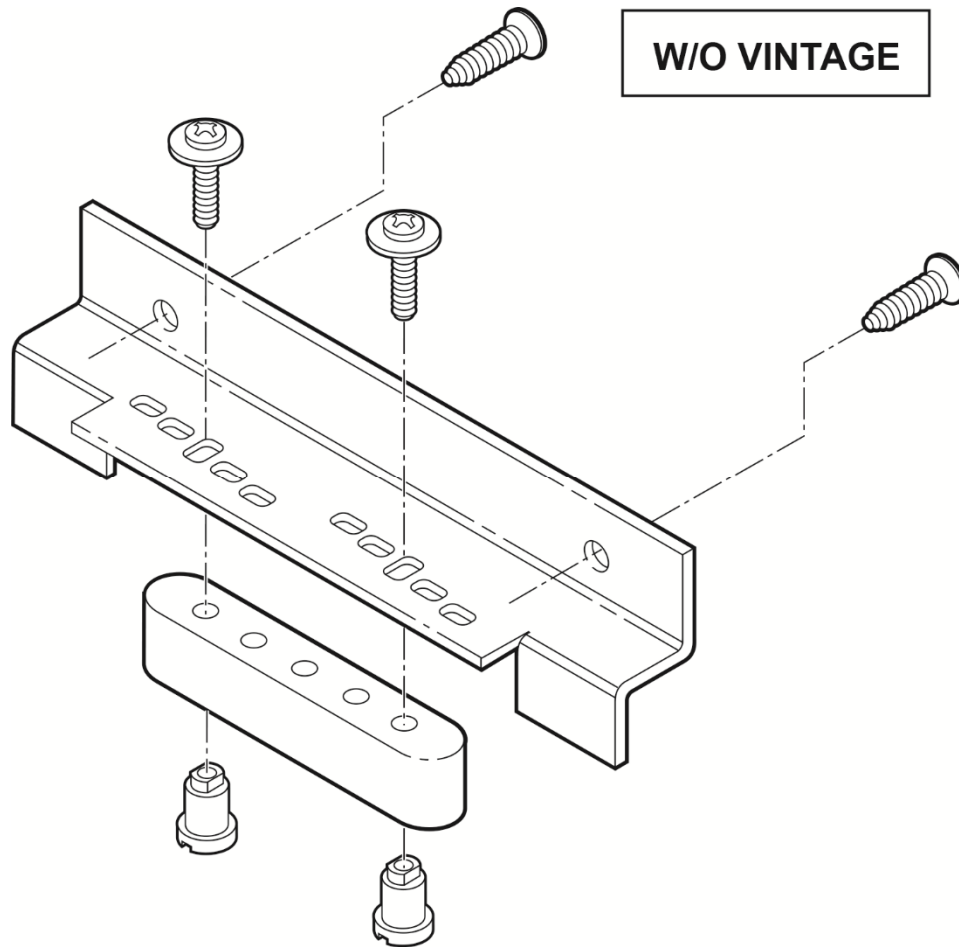


# Door Bottom Guides and Retainers

**Spare Parts Leaflet**  
**25-AAA24479AAA**

November 25, 2020 / Page 1 of 14



# OTIS

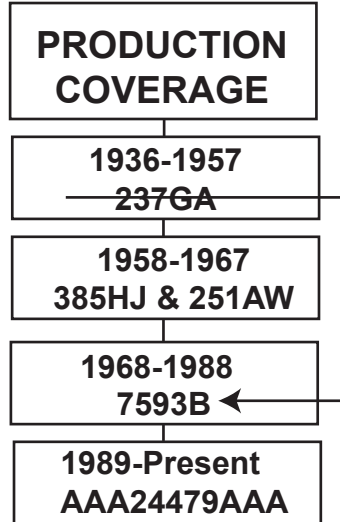
This document does not contain any technical data subject to EAR or ITAR

**SERVICE ENGINEERING**  
**Otis Elevator Company**  
**Bloomfield, Connecticut USA**

Unpublished Work—© Otis Elevator Co.; 2020

**Leaflet Description**

This leaflet provides information for bottom door guides and safety retainers used during production ranges from 1936-1957, 1957-1967, 1968-1988, and 1989 to present. Dating back to 1936 Otis used what was commonly called Henrite gibs. These were split type gibs that are no longer available. Beginning in 1957 hoistway doors came equipped with very long gib brackets having slip-in type 251AW1 gibs. This style continued for about ten years. In 1968 Otis began using the more conventional molded gib type 251BJ. Door bottom retainer arrangements saw first regular field use in about 1989. Manufacture and hardware went to metric in late 1999. The following chart shows the production coverage over the years.



**Leaflet Revisions**

<b>Date Revised</b>	<b>Subject Matter Expert</b>	<b>Reason for Revision</b>
September 1, 1999	Duane Stupienski	New leaflet
January 20, 2002	Duane Stupienski	Add reference to 251AW, A385HJ, AAA27050CH, 237GA, and new service guides; corrected and updated door retainer information
April 22, 2020	Peter Kelley	Updated Information
May 6, 2020	Peter Kelley	Corrected p. 12
November 25, 2020	Peter Kelley	Updated illustration for Ref. 1 on p. 9

**Related Drawings**

<b>Drawing No.</b>	<b>Title</b>	<b>Drawing No.</b>	<b>Title</b>
AAA24479AAA	Door Guide	AAA24479C	Door Guide
AAA27050BU	GHVS Door Seals	AAA24479A	Assembly; Rollers and Door Guide
7593B	Bottom Door Guide Hoistway & Car Doors Arrangement	---	---

(Continued on next page)

**Related Documents**

<b>Document ID</b>	<b>Title</b>
C-3042	Integral Doors Gibs, Hanger Rollers & Aircord Drives
25-AAA23101J	Hoistway Door System, HPLIM, Center-Opening and Single-Slide
25-AAA24479A	Car & Hoistway Door Rollers & Guides: Integral & Applied Hangers
25-AAA23000F	Door Assembly
25-AAA23100Y	Hoistway Door (Weldless)
19-AAA24520E	Car Door (w/Miscellaneous Equipment)
23-AAA24520J	Car Door Equipment, NG Door System, Otis Pan Doors

**Subject Matter Expert**

<b>Name</b>	<b>Department</b>
Peter Kelley	OSC Service Engineering

**About Spare Parts Leaflets...**

This document lists the lowest replaceable units (LRUs) for the standard version of the product. The LRUs are chosen by a team of Otis associates representing engineering and manufacturing.

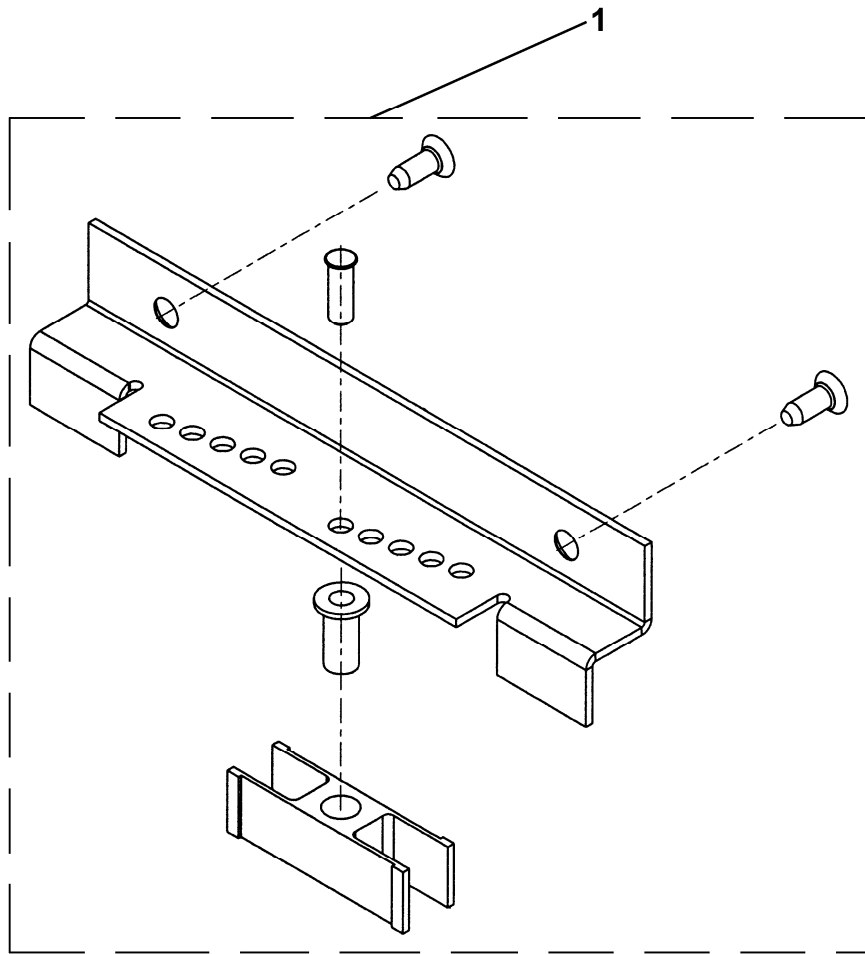
While goal of this document is to make parts identification as easy as possible, the document cannot be all-inclusive. Elevator and escalator contracts classified as “special” or “custom” are not addressed here. For such contracts, please refer to specified information, the contract folder, TIPS, Field Education Articles, Construction Letters, etc. for further information.

If you have any suggestions about this document, please contact the subject matter expert listed on this page.

# Special Ride Quality

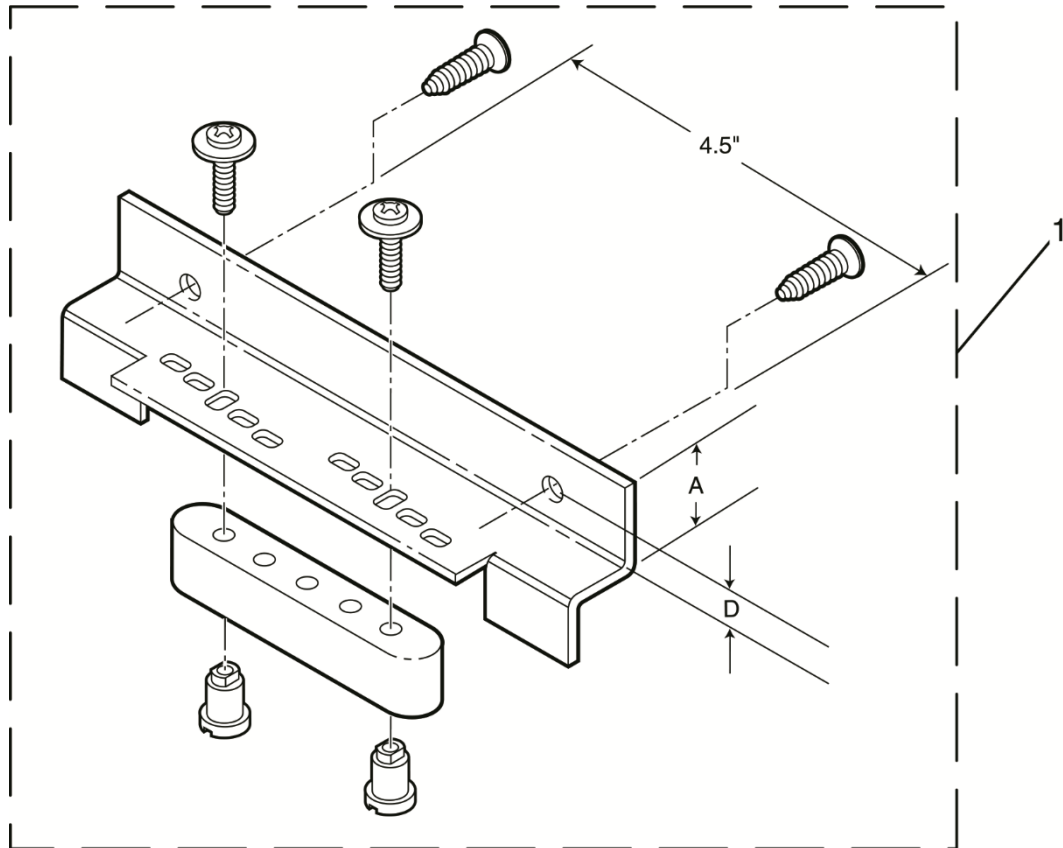
25-AAA24479AAA


## Door Bottom Guide Assembly



**Production  
1999-Present**

REF. No.	PART No.	DESCRIPTION
1	AAA27050CH1	Assembly, Special Ride Quality Door Bottom Guide

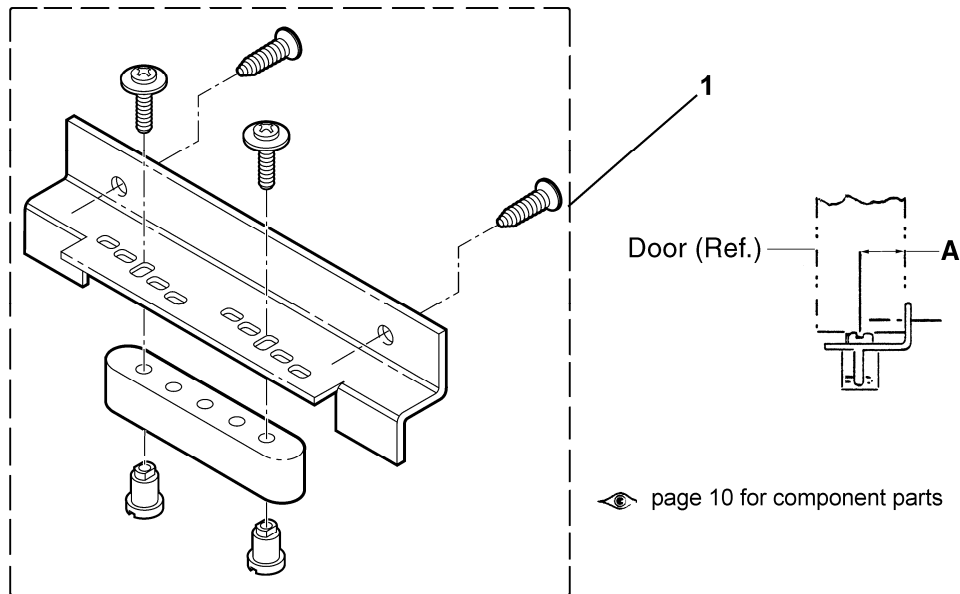


 page 9 for component parts

<b>Production 1989-Present</b>				
<b>REF. No.</b>	<b>PART No.</b>	<b>DESCRIPTION</b>	<b>A (in.)</b>	<b>D (in.)</b>
1	AAA24479AAA12	Guide, Door, Nylatron, Imperial Design	0.85	0.34
	AAA24479AAA19	Guide, Door Bottom UHMW (for car & hoistway), Metric Design		
	AAA24479AAA9	Guide, Door, Canvas/Rubber		
	AAA24479C3	Guide, Door, Nylatron, Non-Standard (only used for double gib doors)	1.38	1.05
	AAA24479C4	Guide, Door, Canvas, , Non-Standard (only used for double gib doors)		

# Type 7593B Door Guides

25-AAA24479AAA



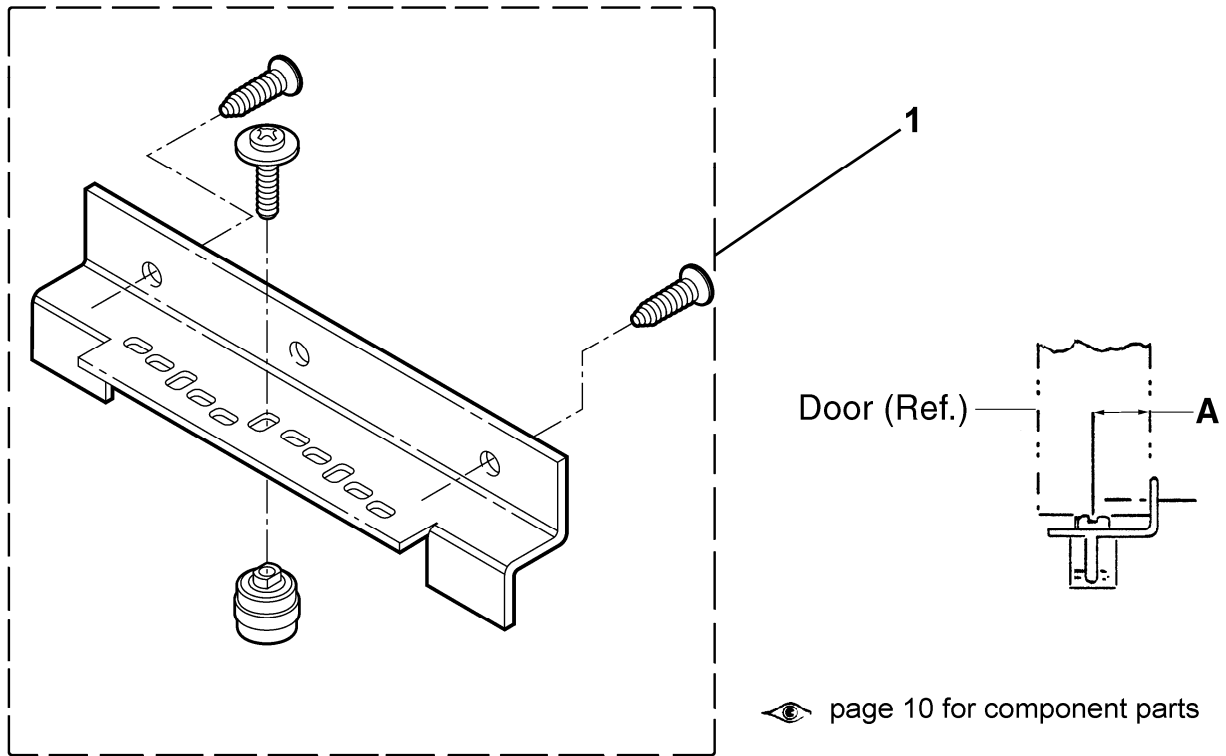
**Production  
1968-1988**

REF. No.	PART No.	DESCRIPTION	BRACKET	DOOR	A (IN.)
1	2220D16 7593B1	Kit, Sliding Door Guide w/ Plastic Gib	3-Hole	Hoistway	0.62
	2213R1 7593B3	Kit, Sliding Door Guide w/ Plastic Gib	2-Hole 2.1 in. Spacing	Car	0.50
	7593B5	Kit, Sliding Door Guide w/Rubber/Canvas Gib	2-Hole Tall 6 in. Spacing	Car	0.68
	7593B6	Kit, Sliding Door Guide w/Rubber/Canvas Gib	3-Hole	Car	0.62
	<del>2213R1 Silent</del> 7593B7	Kit, Sliding Door Guide w/ Rubber/Canvas Gib	2-Hole 2.1 in. Spacing	Car	0.50
	7593B9	Kit, Sliding Door Guide w/ Stainless Steel Bracket & UHMW Gib (Weather Resistant), <b>NOTE 1</b>	3-Hole	Hoistway	0.62
	7593B10	Kit, Sliding Door Guide, w/ UHMW Gib <b>NOTE 2</b>	5-Hole	Car & Hoistway	0.62

**NOTE 1:** 7593B9 is the same as 7593B1 except with stainless bracket.

**NOTE 2:** 7593B10 is the service replacement for doors drilled with two 2.5 in. spaced mounting holes. See TIP 23.2-5.

(Continued on next page)

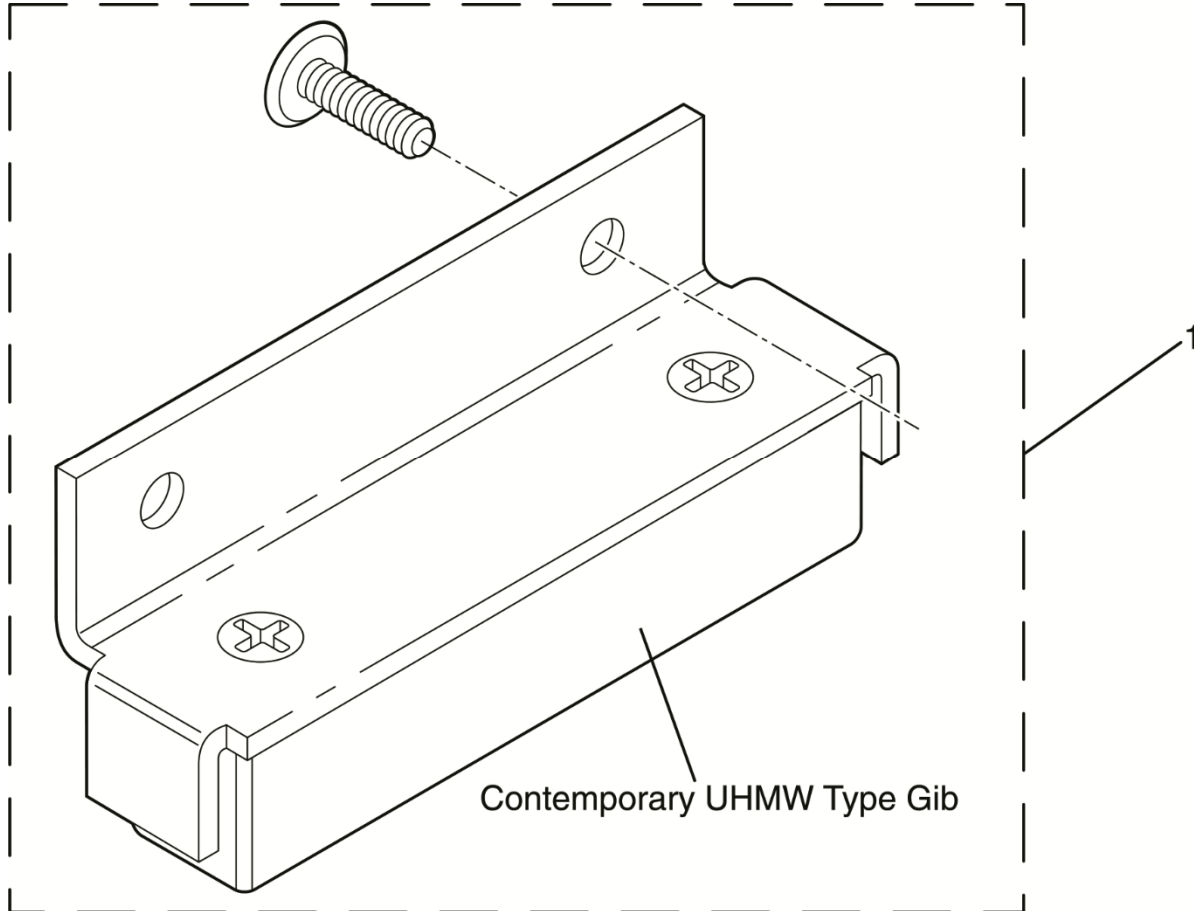


		<b>Production 1968-1988</b>			
<b>REF. No.</b>	<b>PART No.</b>	<b>DESCRIPTION</b>	<b>BRACKET</b>	<b>DOOR</b>	<b>A (IN.)</b>
1	7593B2	Kit, Roller Door Guide	3 Hole	Hoistway	0.62
	7593B4	Kit, Roller Door Guide	2 Hole Tall 6 in. Spacing	Car	0.68

# Type 7593B Door Guide

25-AAA24479AAA

## Flat Bottom Doors



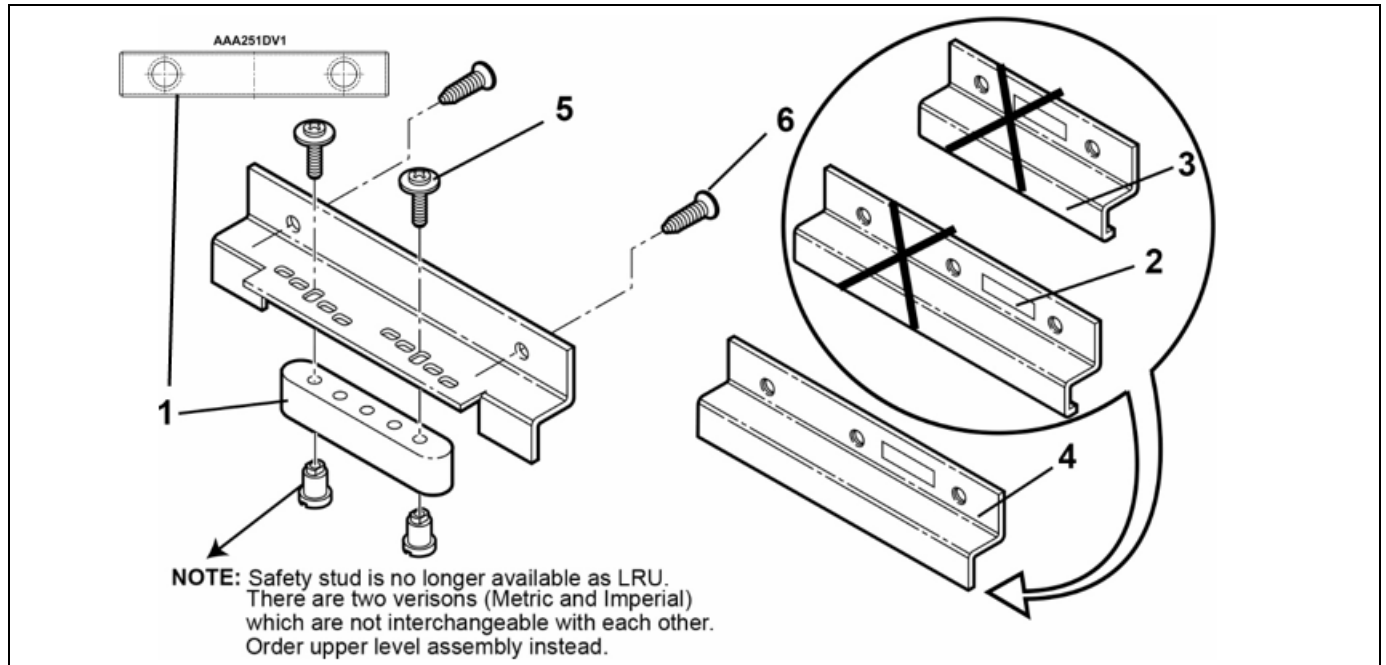
W/O VINTAGE		
REF. No.	PART No.	DESCRIPTION
1	---	Gib, Type 237GA Henrite (obsolete), Production 1936-1957 (spring loaded constant pressure gib) car door (part not shown)
	7593B8	Kit, Replacement, Door Bottom Guide Specially for Flat Bottom Doors (w/ 2.12 in. mounting hole spacing) <b>NOTE:</b> Do not attempt to service and replace any components of this assembly; order ONLY this assembly. See <b>Order Instruction</b> below.

**Order Instruction:** It is recommended that door retainers be added to each door panel when installing new door guide kit 7593B8. Please order (2) AAA385RF3 and (6) AAA124FS3 per door panel onto which this replacement guide will be installed.



**25-AAA24479AAA**

# Type AAA24479AAA Door Guides Components

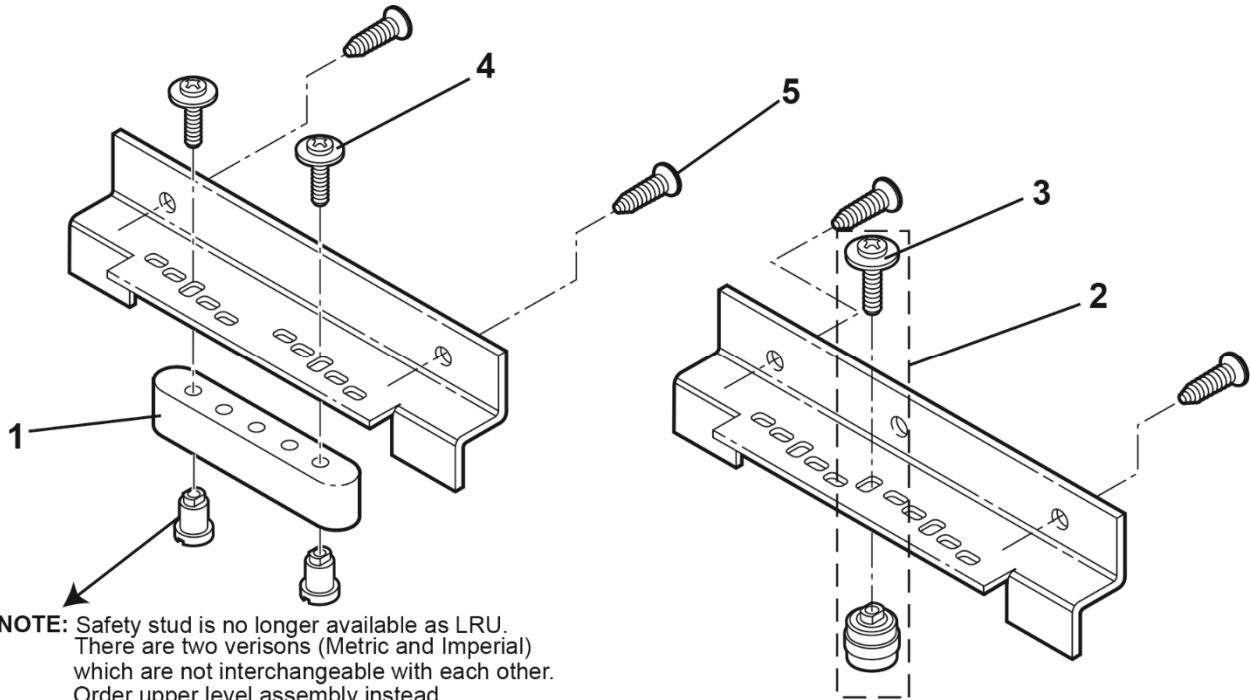


<b>Production 1989-Present</b>			
<b>REF. No.</b>	<b>PART No.</b>	<b>DESCRIPTION</b>	<b>DOOR TYPE</b>
1	JQ251C4 YYJO251C1	Gib, Sliding Bonded Rubber & Canvas, 3 Mounting Holes (not shown)	---
	251BJ1	Gib, Sliding Nylatron, 5 Mounting Holes	---
	AAA251DV1	Gib, UHMW (directly replaces 251BJ1)	---
2	<del>B385NY4</del>	Retainer, Sill Groove, L= 6 in. (obsolete, order instead: (2) AAA385RF3 & (4) AAA124FS3)	Center-Opening, Single-Slide, & Two-Speed Slow
3	<del>AAA385RF4</del>	Retainer, Sill Groove(obsolete, order instead: (1) AAA385RF3 & (2) AAA124FS3)	Two-Speed Fast
4	<del>B385NY2</del>	Retainer, Sill Groove, L= 6 in. (obsolete, order instead: (2) AAA385RF3 & (4) AAA124FS3)	
	<del>AAA385RF2</del>	Retainer, Sill Groove, L = 3-3/4 in. w/ Countersunk Holes (obsolete, order instead: (1) AAA385RF3 & (2) AAA124FS3)	
	AAA385RF3	Retainer, Sill Groove, L = 3-3/4 in. w/Two Countersunk Holes	All
5	VP-855357	Screw, Pan Head, 6-32 x 3/8 in.	---
6	<del>VP-862400</del> AAA124FS3	Screw, Undercut Flat Head, 10-31 x 1/2 in.	---

# Type 7593B Door Guide

25-AAA24479AAA

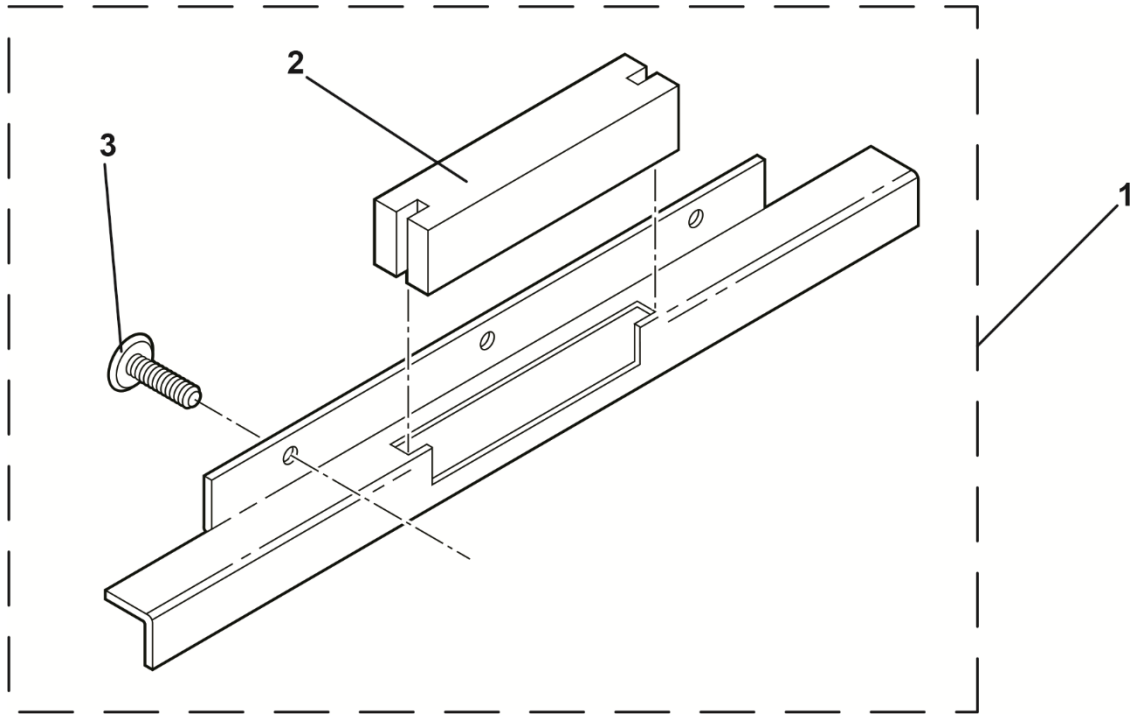
## Components



**NOTE:** Safety stud is no longer available as LRU.  
There are two versions (Metric and Imperial)  
which are not interchangeable with each other.  
Order upper level assembly instead.

REF. No.	PART No.	DESCRIPTION
1	JO251C1 YYJO251C1	Gib, Sliding Bonded Rubber & Canvas
	251BJ1	Gib, Sliding Nylatron
	AAA251DV1	Gib, UHMW (directly replaces 251BJ1)
2	456DD4 456DD2	Roller, Gib w/ Screw
3	<del>VP-855356</del> VP-855358	Screw, Pan Head, 6-32 x 1/4 in., Sems w/ Captured Lockwasher
4	VP-855357	Screw, Pan Head, 6-32 x 3/8 in., Sems w/ Captured Lockwasher
5	---	Screw, Pan Head Phillips, 10 x 1 in., (obtain locally)
	<del>VP-862400</del> AAA124FS3	Screw, Special Undercut Flat Head, 10-32 x 1/2 in.

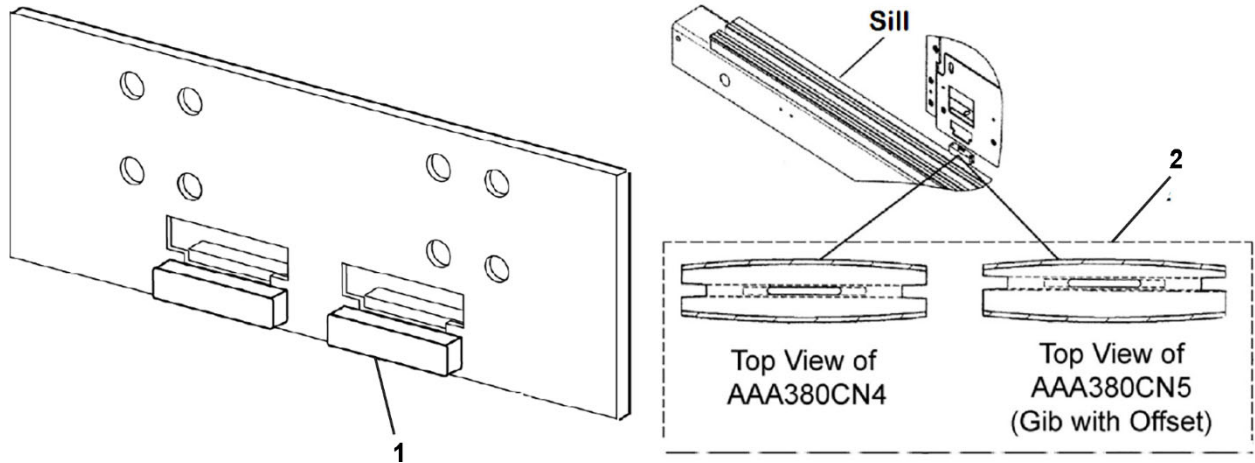
# Door Bottom Guide for Hoistway Door



<b>Production 1958-1967</b>			
<b>REF. No.</b>	<b>PART No.</b>	<b>DESCRIPTION</b>	<b>L (in.)</b>
1	A385HJ7	Guide, Door Bottom for Hoistway Door w/ Gib Insert 251AW1 & Mounting Hardware	20
	A385HJ8		23
	A385HJ9		17
	A385HJ10		29
	A385HJ11		26
	A385HJ12		14
2	251AW1	Gib, Insert Guide	---
3	AAA124FS3	Screw, Special, 10-32 x 1/2 in.	---

# Bottom Door Guide for NG Door

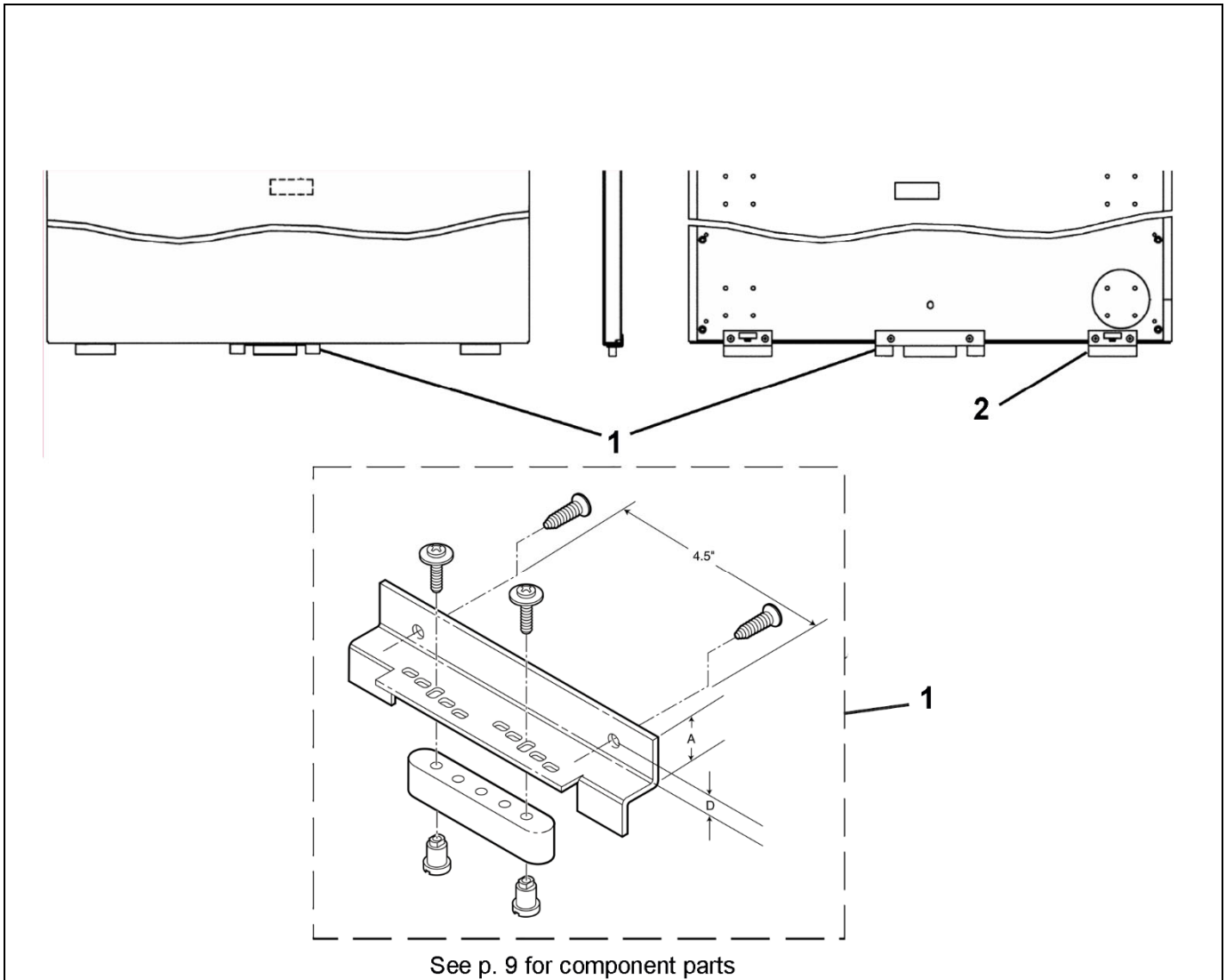
**25-AAA24479AAA**



**AAA24520J**  
**ABA24520J**  
**AAA24520E**  
**ACA24520E**  
**AAA23101N**  
**AAA23010B**  
**AAA23050C**

REF. No.	PART No.	DESCRIPTION	DOOR
1	AAA251EG1	Insert, Door Guide	Car
2	AAA380CN400	Kit, Gib. Includes: AAA380CN4 and AAA380CN5. <b>NOTE:</b> Replace in kind with existing gib.	Hoistway

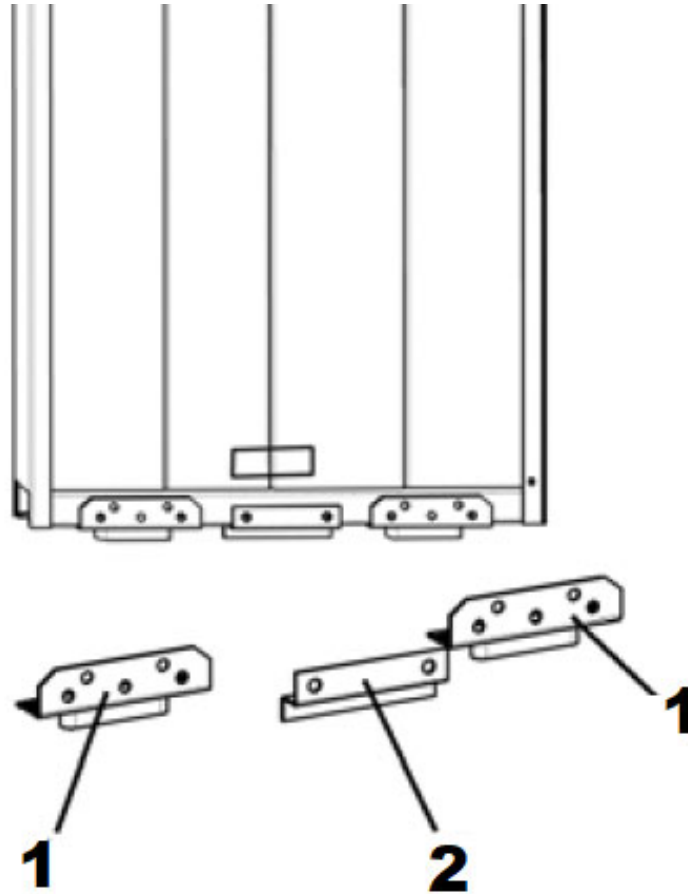
# Weldless Hoistway Door Gib & Retainer



<b>Production 2005-Present</b>				
<b>REF. No.</b>	<b>PART No.</b>	<b>DESCRIPTION</b>	<b>A (in.)</b>	<b>D (in.)</b>
1	AAA24479C400	Guide, Door Bottom UHMW (for car and hoistway), w/ Four Mounting Holes	1.26	0.74
2	AAA385SM400	Kit, Retainer, Door Bottom	N/A	N/A

# AAA23000F Style Door Gib & Retainer

**25-AAA24479AAA**



AAA23000F		
REF. No.	PART No.	DESCRIPTION
1	VP-785000	EPCO, CGD-4 Gib, w/D4 Style Chasis & 15/32" Black Gib
2	AAA385TK1	Retainer