

Hoistway Door System Two-Speed Doors

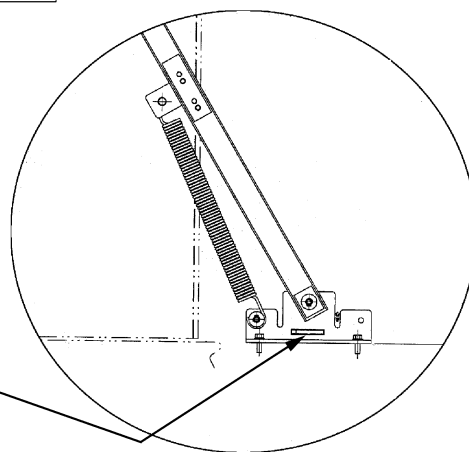
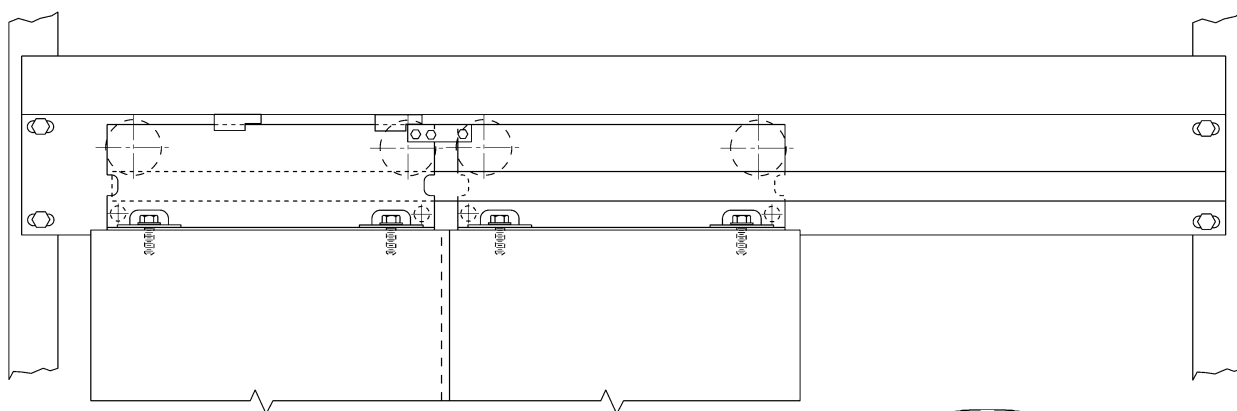
Spare Parts Leaflet
25-AAA6331BZ

January 31, 2002 / Page 1 of 7

Supersedes SPL 25-AAA6331BZ Dated November 1, 1999

W/O
VINTAGE

25 R AAB6331BZ



25 R AAB6331BZ

Unpublished Work—© Otis Elevator Co.; 2002

OTIS

Safety First!

SERVICE ENGINEERING
Otis Elevator Company
Bloomfield, Connecticut USA

Leaflet Description

This leaflet provides spare parts information for type AAA6331BZ hoistway door system assembly. This two-speed arrangement supersedes the previous OVL hoistway two-speed system design found on drawing type YXJO6331CL.

Leaflet Revisions

Date Revised	Subject Matter Expert	Reason for Revision
November 1, 1999	Duane Stupienski	New Leaflet
January 31, 2002	Duane Stupienski	Updated Vintage Information

Related Drawings

Drawing No.	Title	Drawing No.	Title
AAA6331BZ	---	B409EY	---
ABA23100C	---	AAA409HC	---
AAA23100J	---	AAA23100AAE	---
AAA24479A	---	AAA23100AAF	---
YXJO6331CL	---	AAA23100S	---

Related Documents

Document ID	Title
25-YXJO6331CL	Hoistway Door System
26-AAA6940BM	Spring Closer: Two-Speed Doors
26-6331BR	Door Closer, Hoistway for QL and OVL-HPM Door Operator Systems
SU11-102	Shipping Unit O-Form Preassembled Hoistway Entrances

Subject Matter Expert

Name	Department
Duane Stupienski	OSC Service Engineering

About Spare Parts Leaflets...

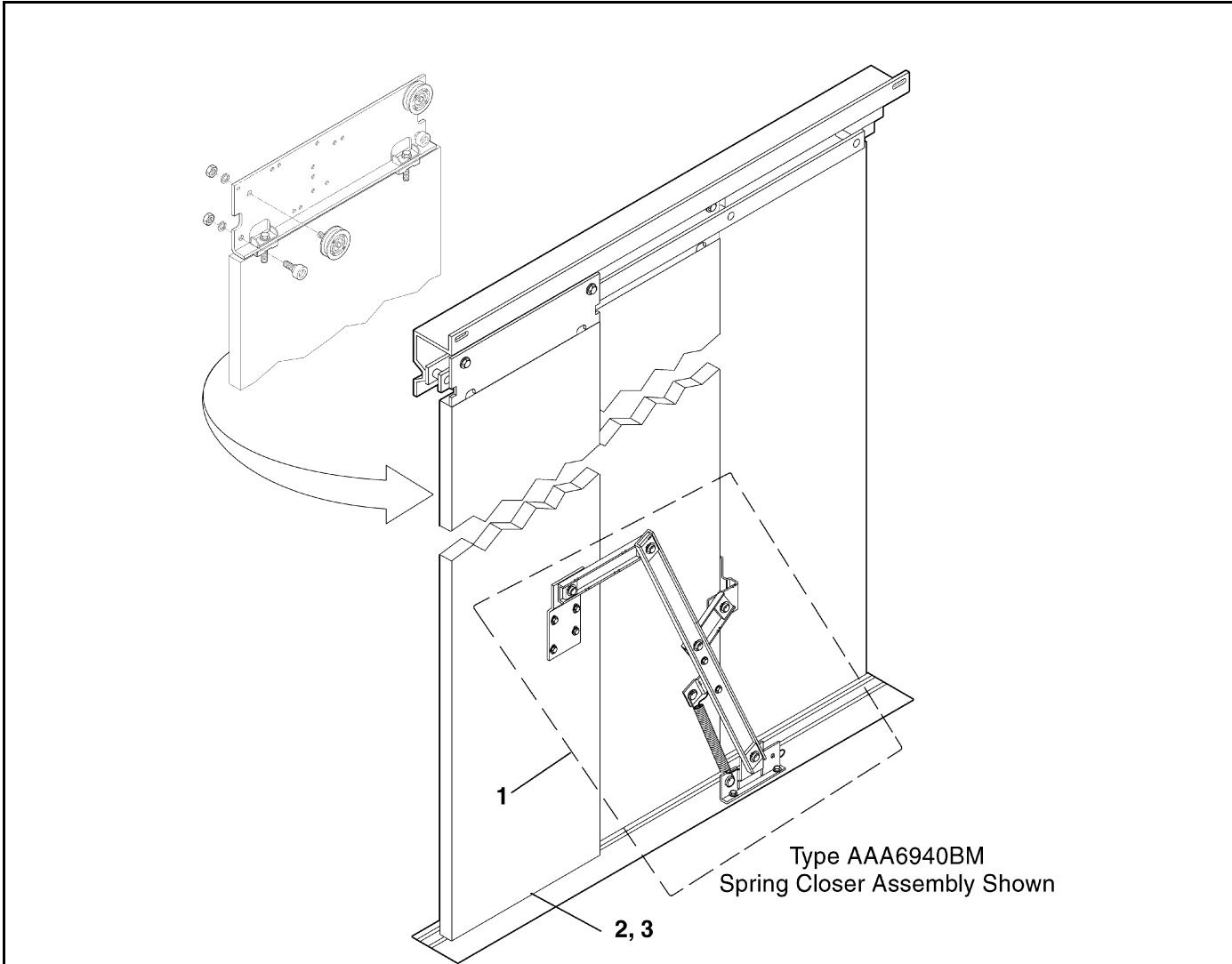
This document lists the lowest replaceable units (LRUs) for the standard version of the product. The LRUs are chosen by a team of Otis associates representing engineering and manufacturing.





While goal of this document is to make parts identification as easy as possible, the document cannot be all-inclusive. Elevator and escalator contracts classified as "special" or "custom" are not addressed here. For such contracts, please refer to specified information, the contract folder, TIPs, Field Education Articles, Construction Letters, etc. for further information.

If you have any suggestions about this document, please contact the subject matter expert listed on this page.

Spring Closer Assembly & Door Guide

25-AAA6331BZ

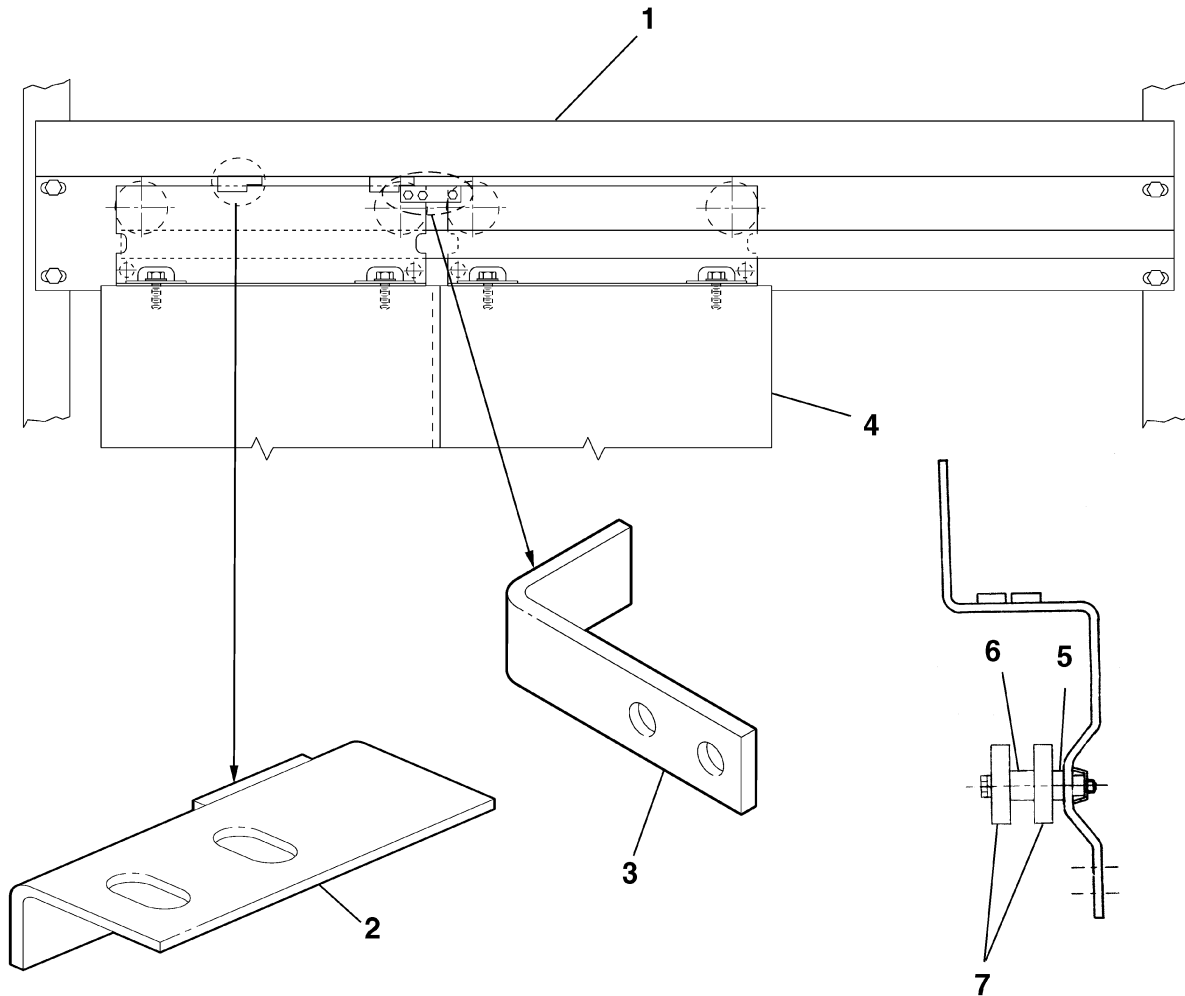


W/O VINTAGE (AAA6331BZ)			
AAB6331BZ			
REF. No.	PART No.	DESCRIPTION	
1	---	Assembly, Spring Closer, Type A**6940BM 	 SPL 26-AAA6940BM
	---	Assembly, Spring Closer, Type A**6940BN 	
2*	AAA24479AAA12	Guide, Door	 SPL 25-AAA24479AAA
3*	AAA385RF3	Retainer, Door	

* Parts not shown.

25-AAA6331BZ

Header/Track Assembly Components



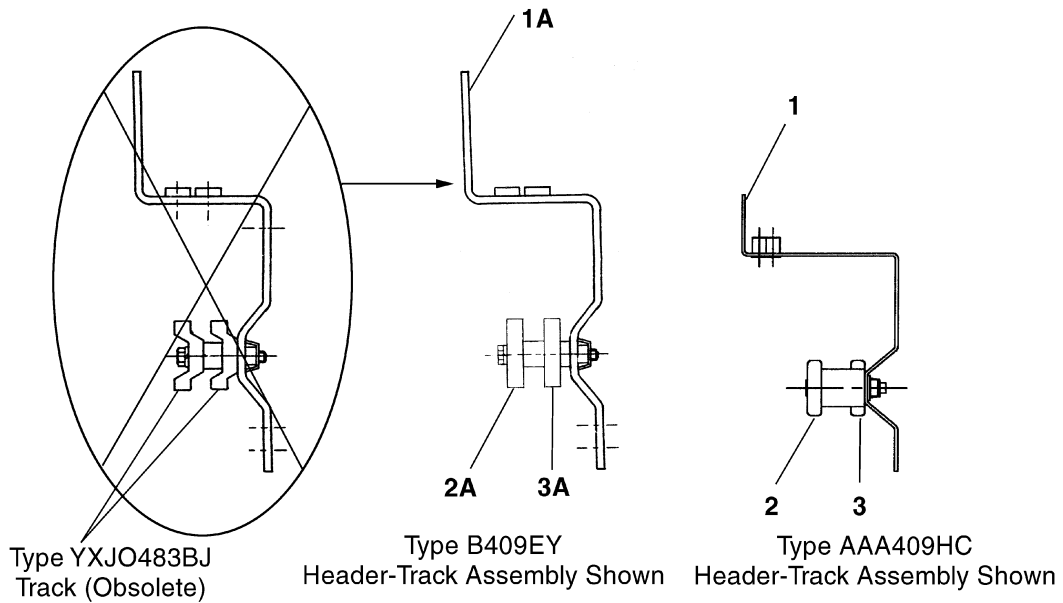
W/O VINTAGE (AAA6331BZ)

AAB6331BZ

REF. No.	PART No.	DESCRIPTION
1	---	Assembly, Header/Track, Types B409EY & AAA409HC, 👁 Detail p.5, ref. 1, 1A, 2, 2A, 3, & 3A
2	316EAS1	Bracket
3	AAA283ANA1	Bracket, Interlock
4	---	Door, Hoistway, Type A**413ES (for reference only)
5	AAA462HR1	Spacer (used only on type B409EY header/track)
6	AAA462HR2	👁 p. 5, Note
7	50ADF1-162	Track, Shape Only, Length 13 ft. 6 in. (field to cut and drill as needed)

Header/Track Assembly

25-AAA6331BZ

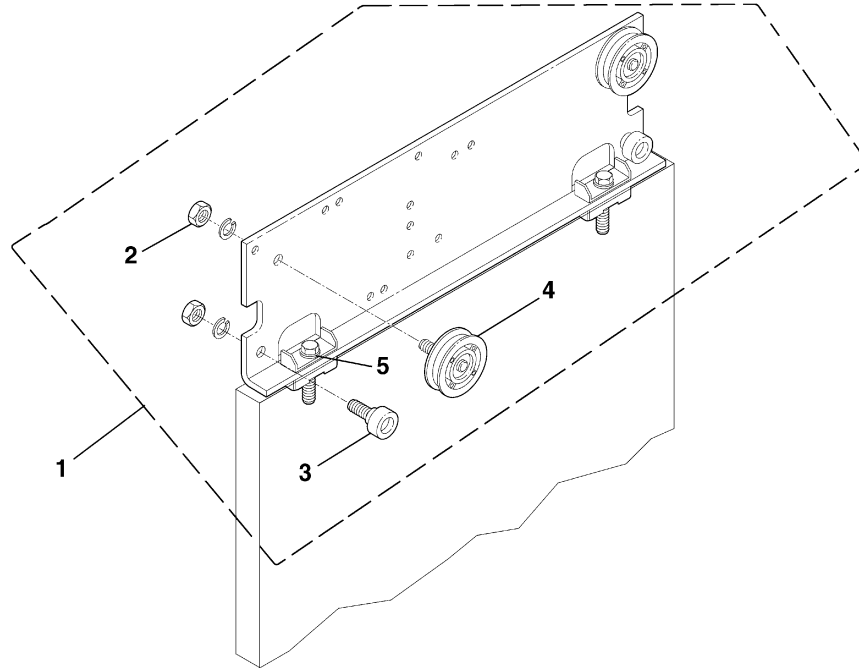


W/O VINTAGE (AAA6331BZ)			
AAB6331BZ			
REF. No.	PART No.	DESCRIPTION	ENTRANCE WIDTH
1	AAA409GZ1	Header, Hoistway	42 in.
	AAA409GZ2		48 in.
	AAA409GZ3		54 in.
	AAA409GZ4		1100 mm
	AAA409GZ5		1200 mm
1A	B409EW1		48 in.
2	AAA483WR7	Track, Fast	42 in.
	AAA483WR8		48 in.
	AAA483WR9		54 in.
	AAA483WR19		1100 mm
	AAA483WR20		1200 mm
2A	AAA483SD1	👁 Note	48 in.
3	AAA483WR10	Track, Slow	42 in.
	AAA483WR11		48 in.
	AAA483WR12		54 in.
	AAA483WR21		1100 mm
	AAA483WR22		1200 mm
3A	AAA483SD2	👁 Note	48 in.

NOTE: When replacing type YXJO483BJ track, use ref. 2A & 3A and also ref. 5 & 6 from p. 4.









25-AAA6331BZ

Type AAA6331BY Hanger Assembly



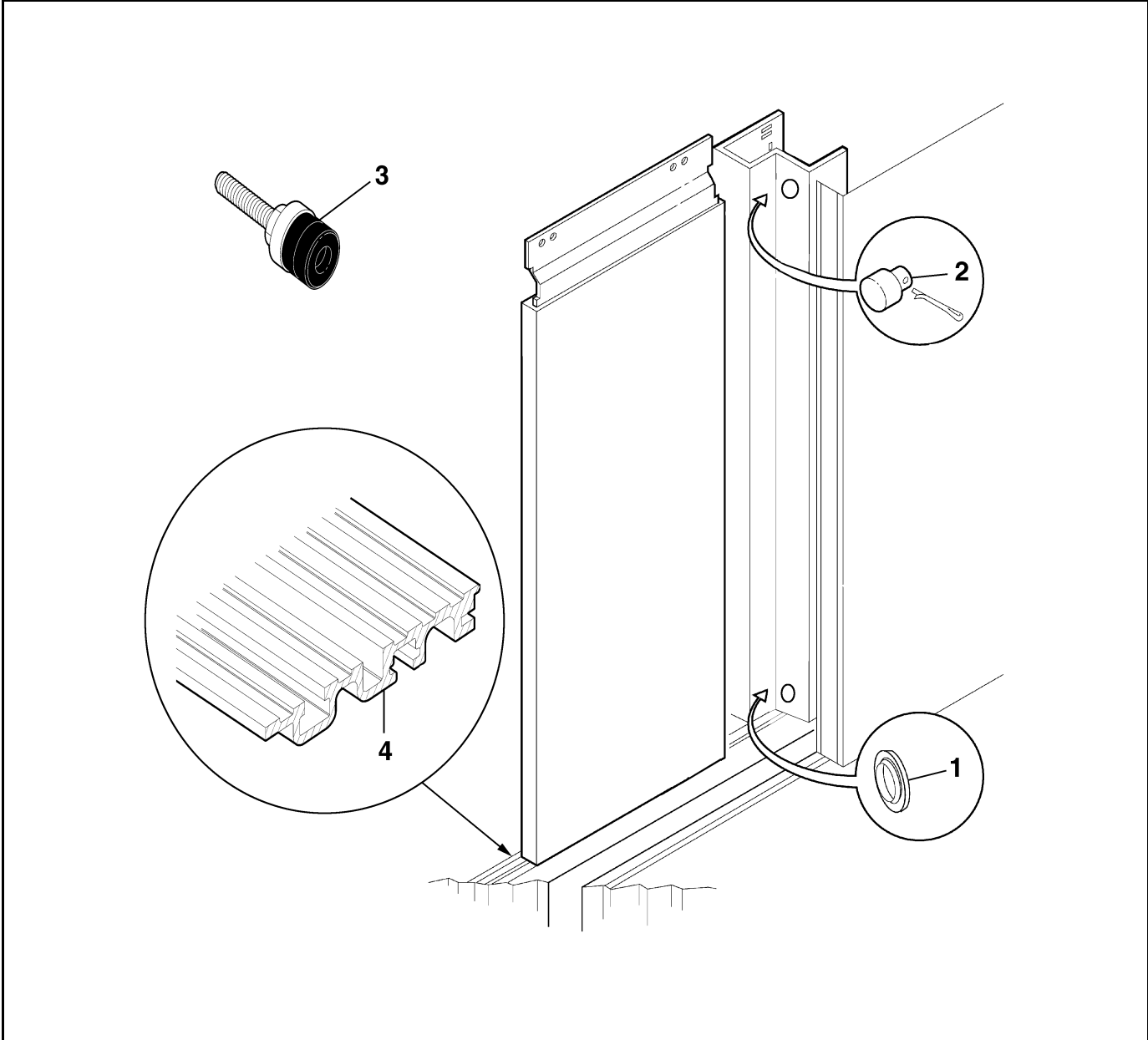
W/O VINTAGE (AAA6331BZ)

AAB6331BZ

REF. No.	PART No.	DESCRIPTION	ENTRANCE WIDTH	HAND
1	AAA6331BY29	Assembly, Hanger	42 in.	
	AAA6331BY30			
	AAA6331BY31		48 in.	
	AAA6331BY32			
	AAA6331BY37		1100 mm	
	AAA6331BY38			
	AAA6331BY39		1200 mm	
	AAA6331BY40			
2	72AF5	Nut, Lock		
3	456FE1	Roller, Lower		
4	AAA456XD1	Roller, Upper		
5	130J11	Washer, Lock		

Hoistway Door System Components

25-AAA6331BZ



REF. No.	W/O VINTAGE (AAA6331BZ)	
	AAB6331BZ	
REF. No.	PART No.	DESCRIPTION
1	444BL1	Bumper, Bottom
2	320CV2	Bumper, Top
3	A477EE3 A477FH3	Bumper, Stop
4	---	Sill, Type AAA426AS ___ -