

# Door Weight Closer

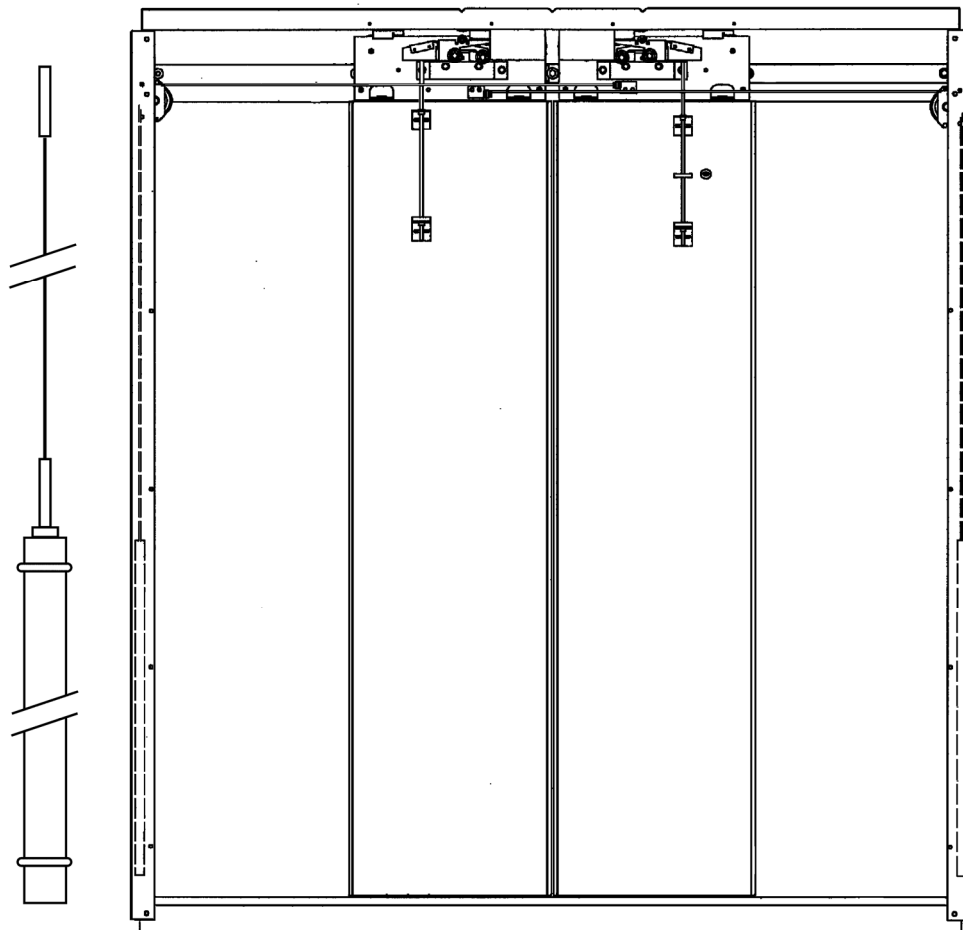
**Spare Parts Leaflet**

**26-AAA23402L**

January 30, 2007 / Page 1 of 7

**W/O  
VINTAGE**

**Center-Opening  
HPLIM Doors Shown**



**OTIS**

**Safety First!**

**SERVICE ENGINEERING**  
Otis Elevator Company  
Bloomfield, Connecticut USA

**Leaflet Description**

This leaflet details door weight closer assembly in type HPLIM, QL and OVL hoistway door systems. For a short period of time, closer arrangements from AAA6940BR preceded AAA23402L for QL and OVL-HPM systems.

**Leaflet Revisions**

<b>Date Revised</b>	<b>Subject Matter Expert</b>	<b>Reason for Revision</b>
June 1998	Blair Cohen	New leaflet
January 1, 2000	Duane Stupienski	Add ref. to QL aircord and correct spelling mistakes.
September 1, 2000	Duane Stupienski	Add notes and ref. to OVL-HP and OVL-HPM.
November 5, 2004	Jeffrey A. Smith	p. 3 change cable lengths
January 30, 2007	Diem Tran	Added cable (w/o end rod) lengths.

**Related Drawings**

<b>Drawing No.</b>	<b>Title</b>	<b>Drawing No.</b>	<b>Title</b>
AAA23402L	Assembly Weight Closer	AAA6940BR	Weight Closer Assembly
AAA24450H	Pulley Assembly	B6331BR	Hoistway Door Closer, Center-Opening

**Related Documents**

<b>Document ID</b>	<b>Title</b>
SPL 25-AAA23101J/K	Hoistway Door System
SPL 26-6331BR	Hoistway Door Closer, Center-Opening
SPL 26-YXJO6331BL	Weight Closer
SPL 27-AAA23400C	TECHNA Interlock Assembly
F.E. 22.12-1	HPLIM Overview, Installation, Adjusting and Troubleshooting (CD-ROM)

**Subject Matter Expert**

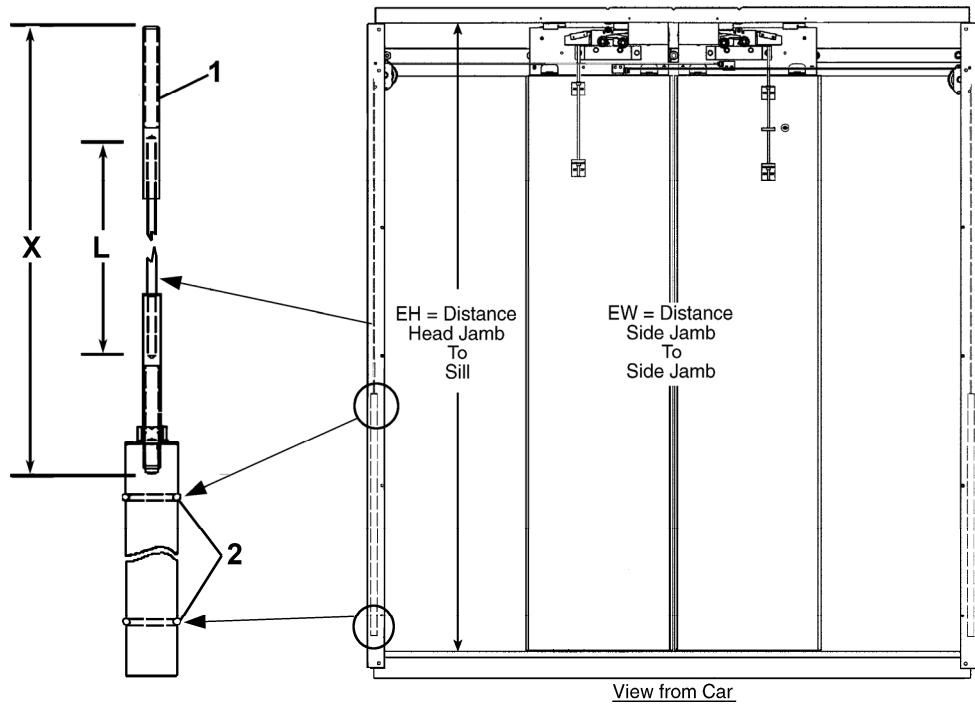
<b>Name</b>	<b>Department</b>
Diem Tran	OSC Service Engineering

**About Spare Parts Leaflets...**

This document lists the lowest replaceable units (LRUs) for the standard version of the product. The LRUs are chosen by a team of Otis associates representing engineering and manufacturing.

While goal of this document is to make parts identification as easy as possible, the document cannot be all-inclusive. Elevator and escalator contracts classified as "special" or "custom" are not addressed here. For such contracts, please refer to specified information, the contract folder, TIPs, Field Education Articles, Construction Letters, etc. for further information.

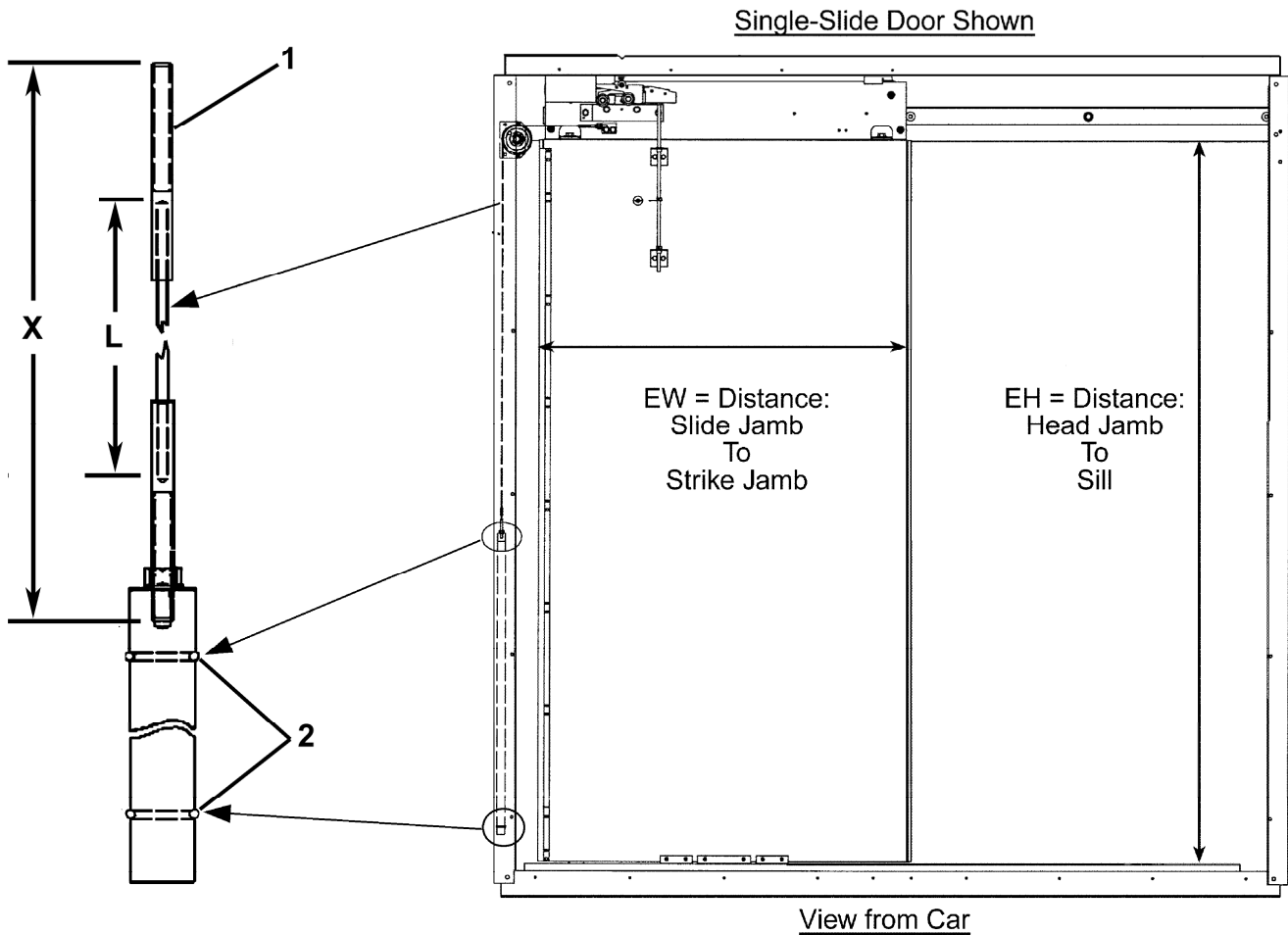
If you have any suggestions about this document, please contact the subject matter expert listed on this page.



W/O VINTAGE		DESCRIPTION		ENTRANCE WIDTH	ENTRANCE HEIGHT	DOOR TYPE
REF. NO.	PART No.	Cable w/End Rods X (mm)	Cable w/o End Rods L (mm)			
1	AAA712N1	2403	2293	36 in.	84 in.	Center-Opening
	AAA712N2	2707	2597	36 in.	96 in.	
				48 in.	84 in.	
	AAA712N3	2555	2445	42 in.	84 in.	
				900 mm	2300 mm	
	AAA712N4	2855	2745	1100 mm	2100 mm	
				42 in.	96 in.	
	AAA712N6	3012	2902	1200 mm	2300 mm	
				48 in.	96 in.	
	AAA712N16	2855	2245	900 mm	2100 mm	
AAA712N17	2455	2345	1000 mm	2100 mm		
AAA712N18	2755	2645	1100 mm	2300 mm		
	AAA712N999-____ See <b>NOTE</b>	EW+EH-645 mm	X - 110 mm	---	---	
2	182H60	O-Ring				

**NOTE:** For contract length order OSC p/n AAA712N999-(Length X).

# 26-AAA23402L Single-Slide: Weight Closer Cable - HPLIM





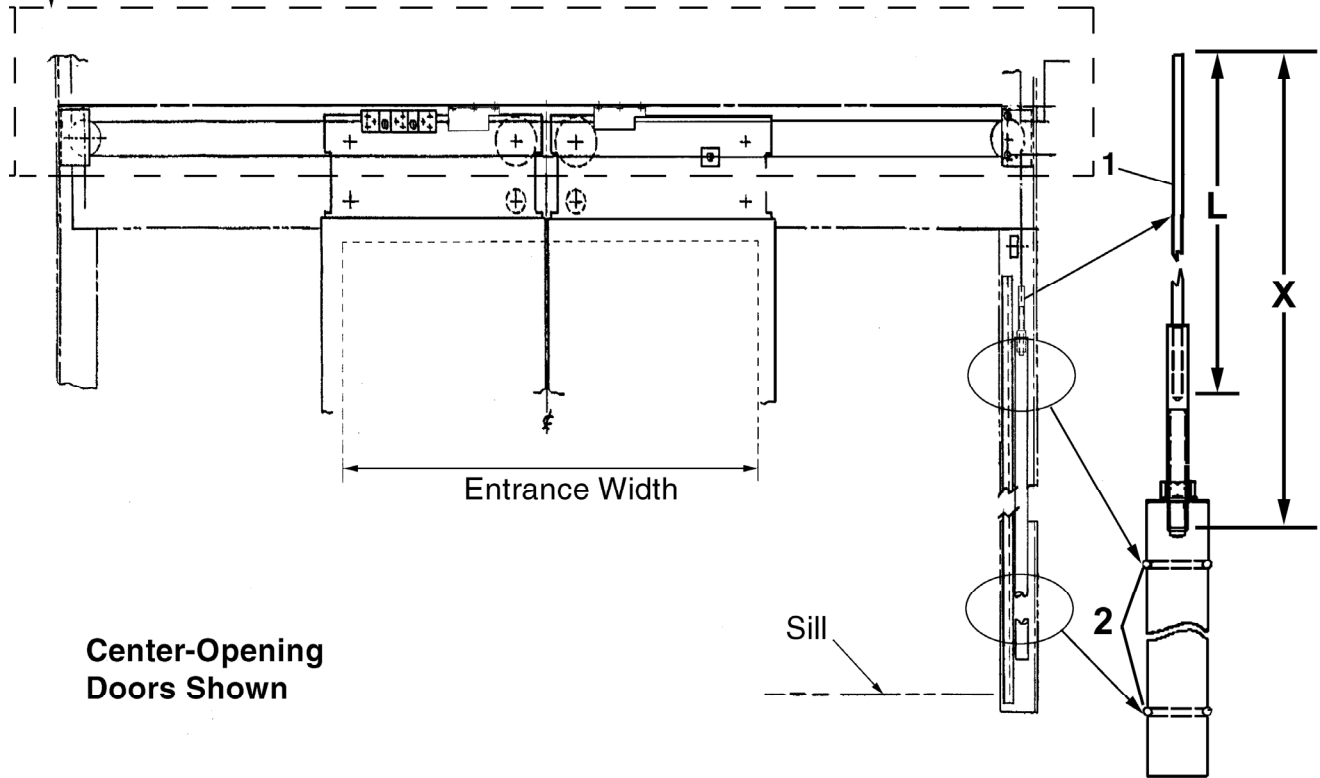
REF. NO.	W/O VINTAGE		DESCRIPTION		ENTRANCE HEIGHT
	PART No.				
		Cable w/End Rods X (mm)	Cable w/o End Rods L (mm)		
1	AAA712N7	1467	1428	84 in.	
	AAA712N8	1771	1732	96 in.	
	AAA712N19	1433	1394	2100 mm	
	AAA712N20	1633	1594	2300 mm	
	AAA712N998- See NOTE	EH - 596 mm	X - 110 mm	---	
2	182H60	O-Ring			

**NOTE:** For contract length order OSC p/n AAA712N998-(Length X).

# Weight Closer Cable - QL Applications

**26-AAA23402L**

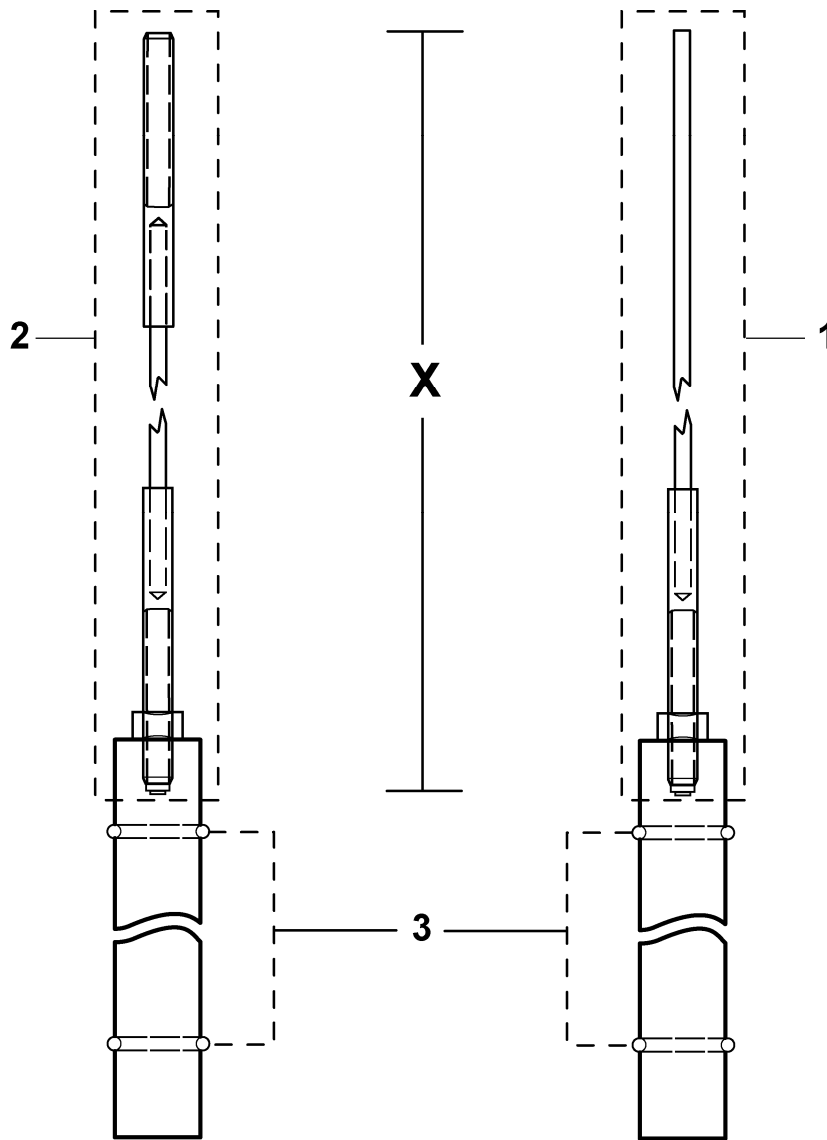
**NOTE:** For other closer related parts,  SPL 26-6331BR.  
For QL and OVL-HPM installations prior to April 1997,  
 SPL 26-YXJO6940BL.



Center-Opening  
Doors Shown

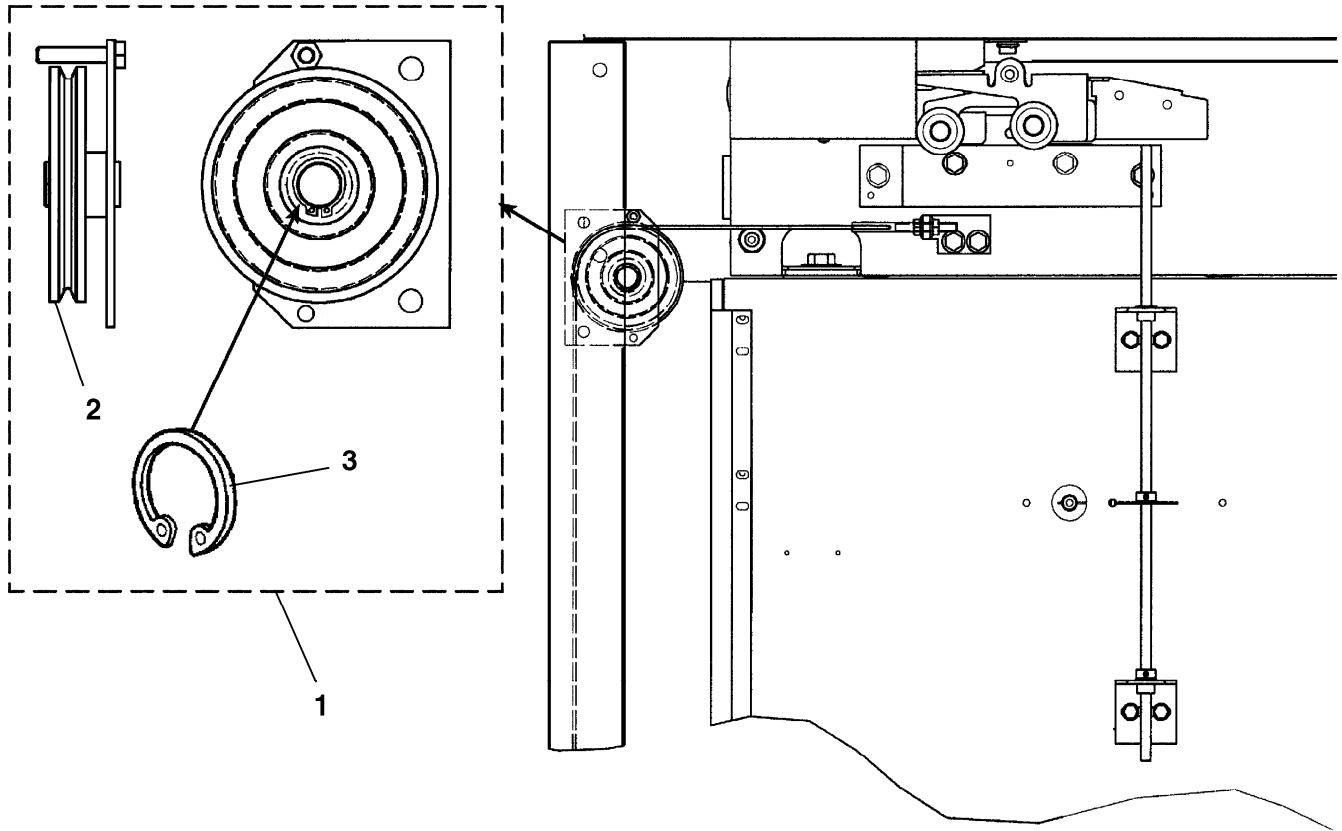
REF. NO.	PART No.	DESCRIPTION		ENTRANCE WIDTH	ENTRANCE HEIGHT	DOOR TYPE
		Cable w/End Rods X (mm)	Cable w/o End Rods L (mm)			
1	AAA712N27	3557	3502	36 in. to 48 in. or 900 mm to 1219 mm	96 in.	Center-Opening,
	AAA712N28	4014	3959	48 in. to 60 in. or 1219 mm to 1524 mm	or	QL
	AAA712N29	2922	2867	32 in. to 42 in. or 813 mm to 1067 mm	2438 mm	Single-Slide, QL
	AAA712N30	2436	2381	36 in. to 55 in. or 914 mm to 1397 mm		Two-Speed, QL
2	182H60	O-Ring				---
	182H1	O-Ring				Two-Speed, QL

**Weight Closer Cable – Contract Length  
OVL-HP Applications**



W/O VINTAGE			
REF. NO.	PART No. (see NOTE)	DESCRIPTION	DOOR TYPE
1	AAA712N993-_____	Cable w/ Single End Rod	Two-Speed, OVL-HPM or QL
	AAA712N994-_____		Single-Side, OVL-HPM or QL
	AAA712N995-_____		Center-Opening, OVL-HPM or QL
2	AAA712N996-_____	Cable w/ Double End Rod	Single-Side, OVL-HP
	AAA712N997-_____		Center-Opening, OVL-HP
3	182H60	O-Ring	

**NOTE:** When ordering, specify length (X) in mm. For instance, part number AAA712N993-1610 would be a closer assembly with a single rod on one end measuring 1610 mm as shown by X.



<b>W/O VINTAGE</b>		
<b>REF. NO.</b>	<b>PART No.</b>	<b>DESCRIPTION</b>
1	AAA24450H1	Assembly, Pulley
2	AAA198AM1	Pulley
3	DIN471N-17-480HV-B	Ring, Retaining