

Door Weight Closer

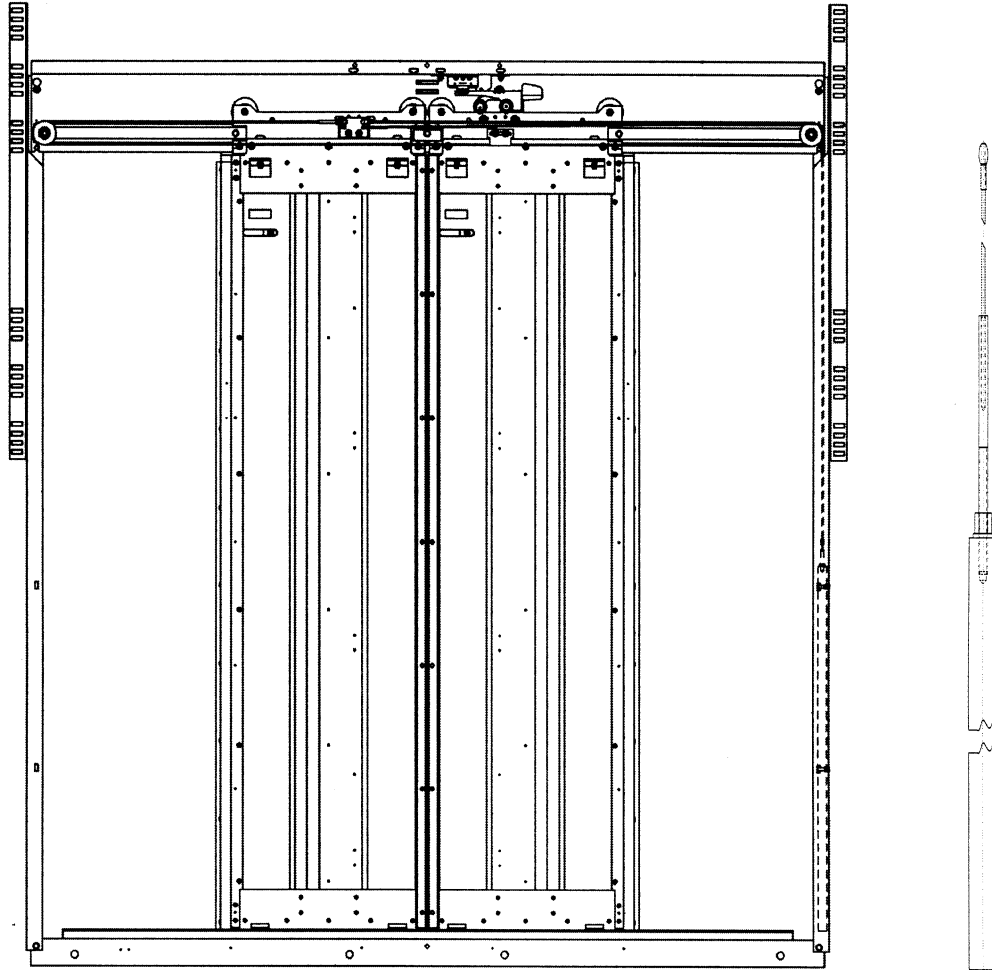
Spare Parts Leaflet

26-AAA23402M

April 24, 2024 / Page 1 of 4

26

A - AAA23402M



Center-Opening, Single Lock
NG Door Shown

OTIS

This document contains technical data
subject to the EAR. ECCN=EAR99

SERVICE ENGINEERING

Otis Elevator Company

Bloomfield, Connecticut USA

Unpublished Work—© Otis Elevator Co.; 2024

History

26-AAA23402M

Leaflet Description

This Spare Parts Leaflet (SPL) details door weight closer assembly in NG hoistway door system.

Leaflet Revisions

Date Revised	Subject Matter Expert	Reason for Revision
April 4, 2008	Grant Hu, Michael Tracey, and Diem Tran	New SPL
March 6, 2019	Pete Kelley	Added p/n AAA712Z105 on p. 3
April 29, 2020	Pete Kelley	Added Ref. 4 on p. 3 and Ref. 5 on p. 4
April 24, 2024	Jordan Thomas	Changed AAA137BN1 to AAA137BN2 on p. 4

Related Drawings

Drawing No.	Title
AAA23402M	Assembly Weight Closer
AAA23101P	Hoistway Entrance Assembly, Center-Opening, Single Lock (C/O-1L)
AAA23010B	Hoistway Entrance Assembly, Single-Slide (S/S)
AAA23050C	Hoistway Entrance Assembly, Two-Speed (2-SP)

Related Documents

Document ID	Title
SPL 25-AAA23101P	NG Hoistway Door System: Center-Opening with Single Lock, Single-Slide, and Two-Speed
SPL 27-AAA23400S	Interlock Assembly

Subject Matter Expert

Name	Department
Jordan Thomas	Service Engineering, OSC

About Spare Parts Leaflets...

This document lists the lowest replaceable units (LRUs) for the standard version of the product. The LRUs are chosen by a team of Otis associates representing engineering and manufacturing.

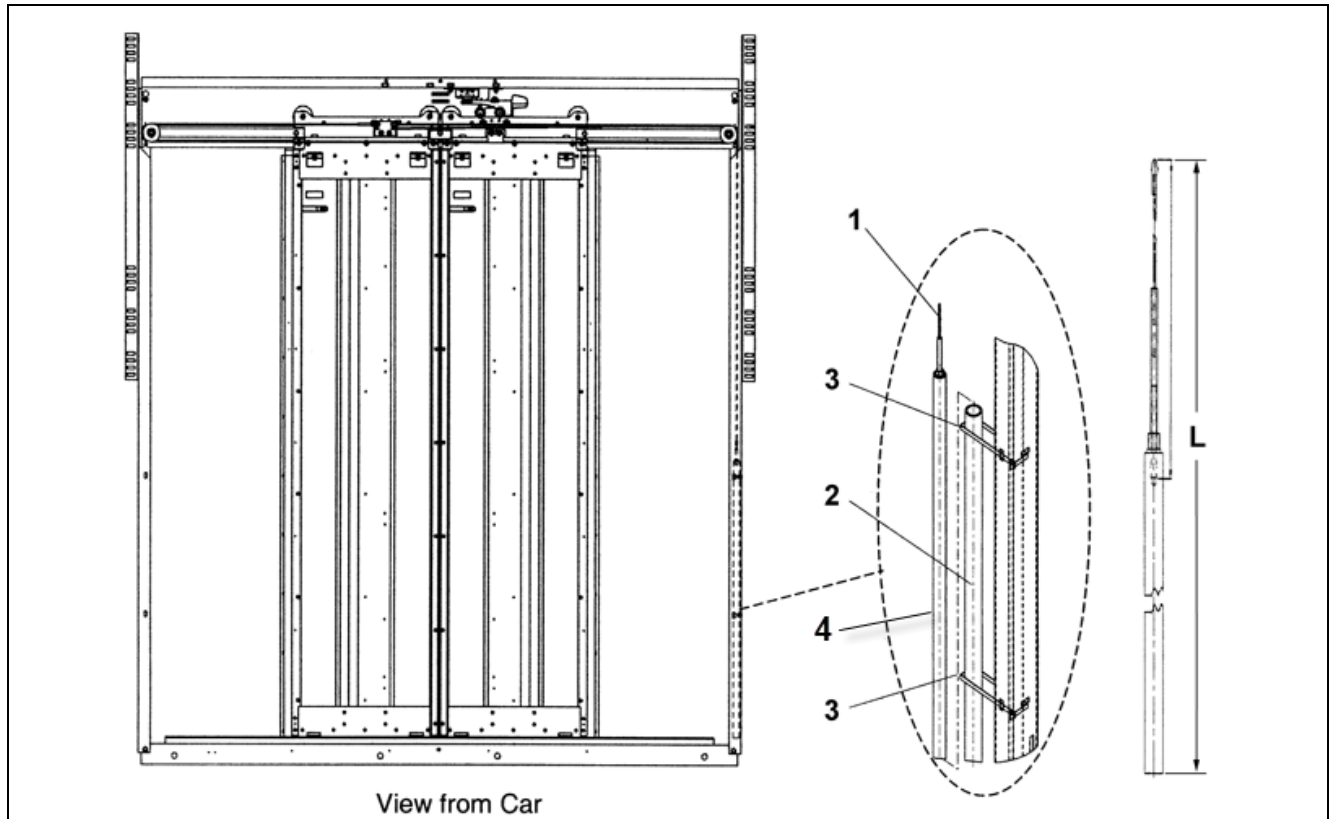
While goal of this document is to make parts identification as easy as possible, the document cannot be all-inclusive. Elevator and escalator contracts classified as "special" or "custom" are not addressed here. For such contracts, please refer to specified information, the contract folder, TIPs, Field Education Articles, Construction Letters, etc. for further information.

If you have any suggestions about this document, please contact the subject matter expert listed on this page.

Weight Closer Assembly

26-AAA23402M

For AAA23101P Center-Opening, Single Lock



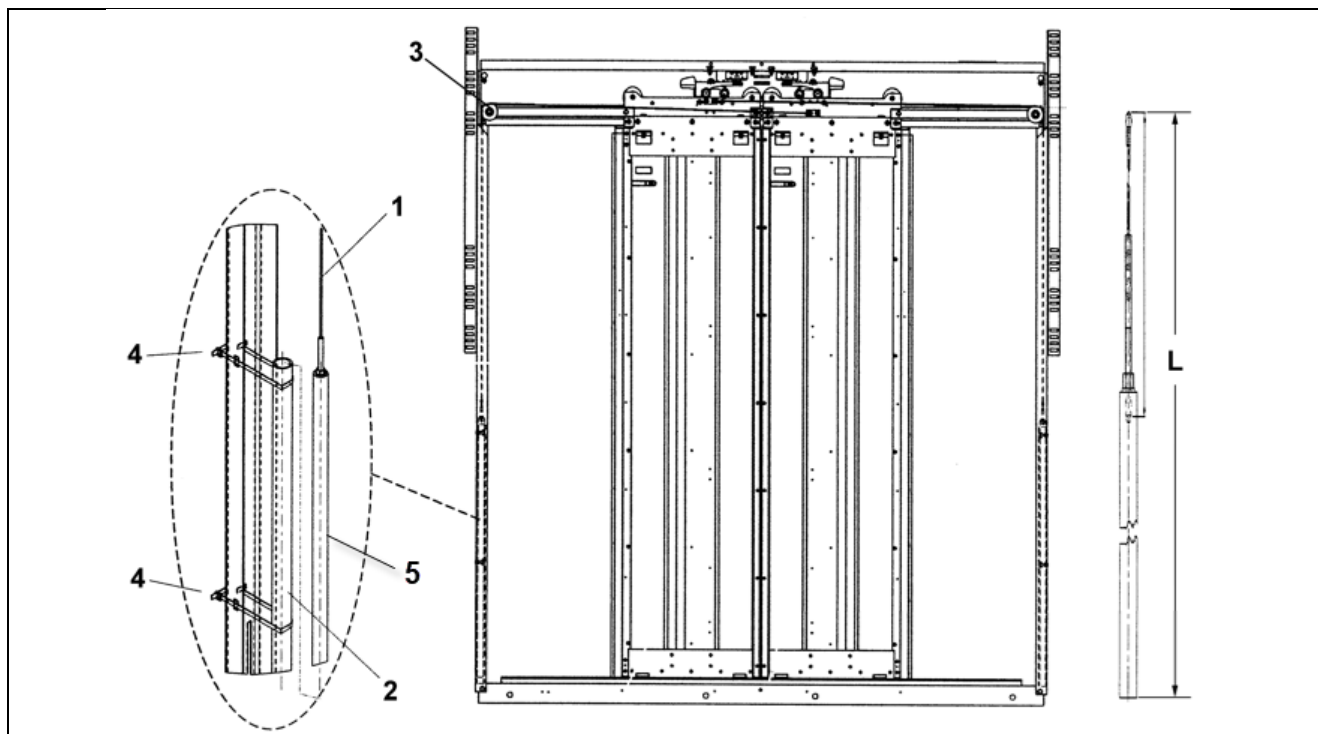
View from Car

W/O VINTAGE						
REF. No.	PART No.	DESCRIPTION	L	OPENING WIDTH	OPENING HEIGHT	DOOR TYPE
1	AAA712Z116	Cable	2395 mm / 94.3 in.	914 mm / 36 in.	2134 mm / 84 in.	Center-Opening Single-Lock
	AAA712Z105		2535 mm / 99.8 in.	1067 mm / 42 in.	2134 mm / 84 in.	
	AAA712Z117		2669 mm / 105.1 in.	914 mm / 36 in.	2438 mm / 96 in.	
				1219 mm / 48 in.	2134 mm / 84 in.	
	AAA712Z118		3004 mm / 118.3 in.	1219 mm / 48 in.	2438 mm / 96 in.	
	AAA712Z119		3309 mm / 130.3 in.	1219 mm / 48 in.	2743 mm / 108 in.	
	AAA712Z120		3462 mm / 136.3 in.	1372 mm / 54 in.	2743 mm / 108 in.	
AAA712Z999	(Op Height – 961 mm) + (Op Width + 253 mm) + 55 mm / (Op Height – 37.8 in.) + (Op Width + 10 in.) + 2.16 in.	Variable	Variable			
2	AAA137BN1	Guard				
3	AAA652AA3	Tie, Wire				
4	AAA344BZ3	Weight				

Weight Closer Assembly

26-AAA23402M

**For AAA23010B Single-Slide and
AAA23050C Two-Speed**



View from Car

W/O VINTAGE						
REF. No.	PART No.	DESCRIPTION	L	SINGLE-SLIDE OPENING WIDTH	TWO-SPEED OPENING WIDTH	OPENING HEIGHT
1	AAA712Z121	Cable	1969 mm / 77.5 in.	914 mm / 36 in.	1219 mm / 48 in.	2134 mm / 84 in.
	1067 mm / 42 in.			1372 mm / 54 in.		
	AAA712Z122		2273 mm / 89.5 in.	914 mm / 36 in.	1219 mm / 48 in.	2438 mm / 96 in.
	AAA712Z998		(Op Height – 220 mm) + 55 mm / (Op Height – 8.7 in.) + 2.2 in.	Variable	Variable	Variable
2	AAA137BN2	Guard				
3	- - -	Pulley, Weight Closer, and Bumper, See SPL 25-AAA23101P				
4	AAA652AA3	Tie, Wire				
5	AAA344BZ2	Weight				