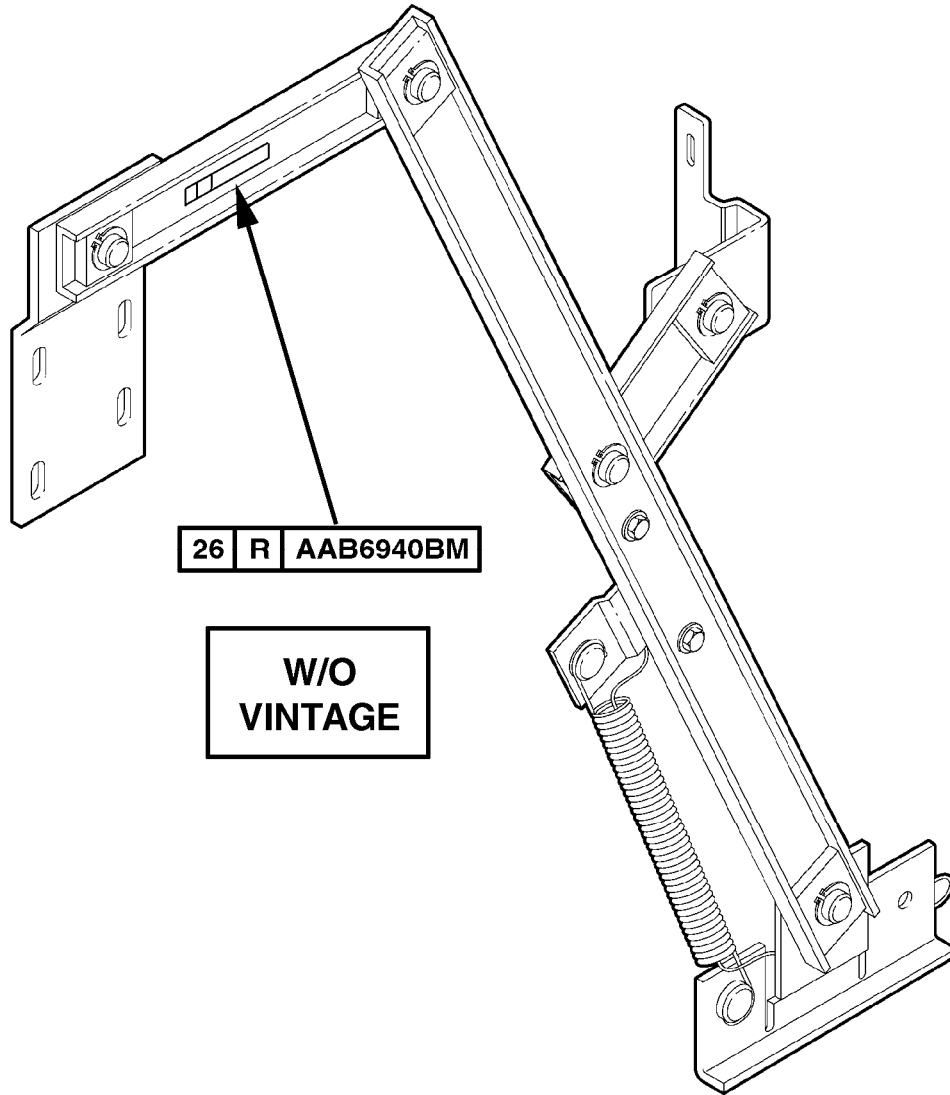


**Spring Closer
Two-Speed Doors**

Spare Parts Leaflet

26-AAA6940BM

January 31, 2002 / Page 1 of 8



OTIS

Safety First!

SERVICE ENGINEERING
Otis Elevator Company
Bloomfield, Connecticut USA

Leaflet Description

This leaflet provides spare parts information for type AAA6940BM and type AAA6940BN spring closer assemblies. Applications are primarily for systems using OVL door operators.

Leaflet Revisions

Date Revised	Subject Matter Expert	Reason for Revision
November 1, 1999	Duane Stupienski	New Leaflet
January 31, 2002	Duane Stupienski	Updated vintage information. Added new LRUs on p. 3, ref 1; p. 4 ref. 1; and p. 5, ref. 6.

Related Drawings

Drawing No.	Title
AAA6940BM	Assembly Spring Closer Two-Speed Right Hand
AAA6940BN	Assembly Spring Closer Two-Speed Left Hand
AAA6331BZ	Assembly and Arrangement Two-Speed OVL Hoistway Door System

Related Documents

Document ID	Title
25-YXJ06331CL	Hoistway Door System
25-AAA6331BZ	Hoistway Door System Assembly for Two-Speed Doors
26-JO6940BH	Spring Closer

Subject Matter Expert

Name	Department
Duane Stupienski	OSC Service Engineering

About Spare Parts Leaflets...

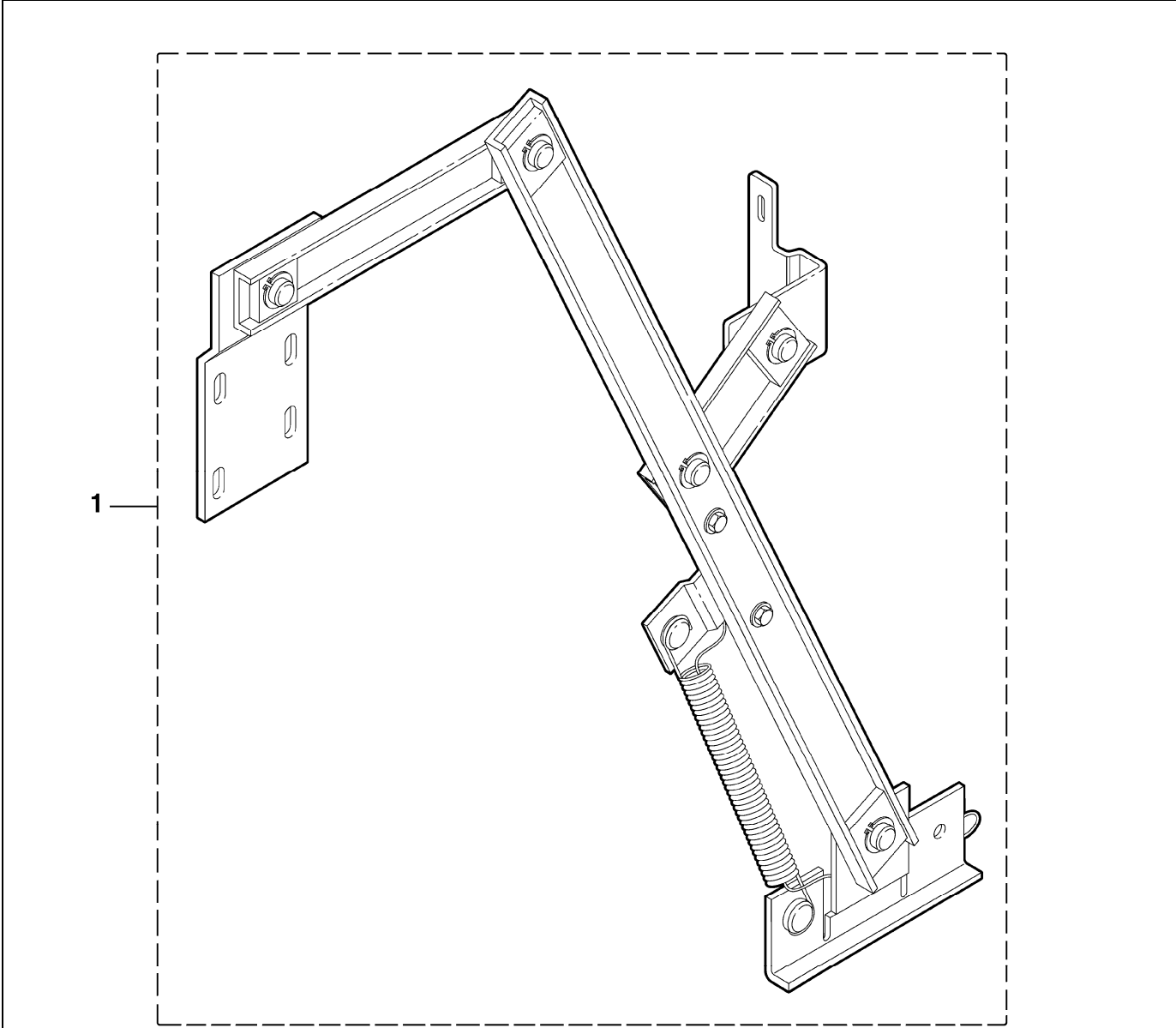
This document lists the lowest replaceable units (LRUs) for the standard version of the product. The LRUs are chosen by a team of Otis associates representing engineering and manufacturing.


While goal of this document is to make parts identification as easy as possible, the document cannot be all-inclusive. Elevator and escalator contracts classified as "special" or "custom" are not addressed here. For such contracts, please refer to specified information, the contract folder, TIPs, Field Education Articles, Construction Letters, etc. for further information.

If you have any suggestions about this document, please contact the subject matter expert listed on this page.

Type AAA6940BM Right Hand Spring Closer

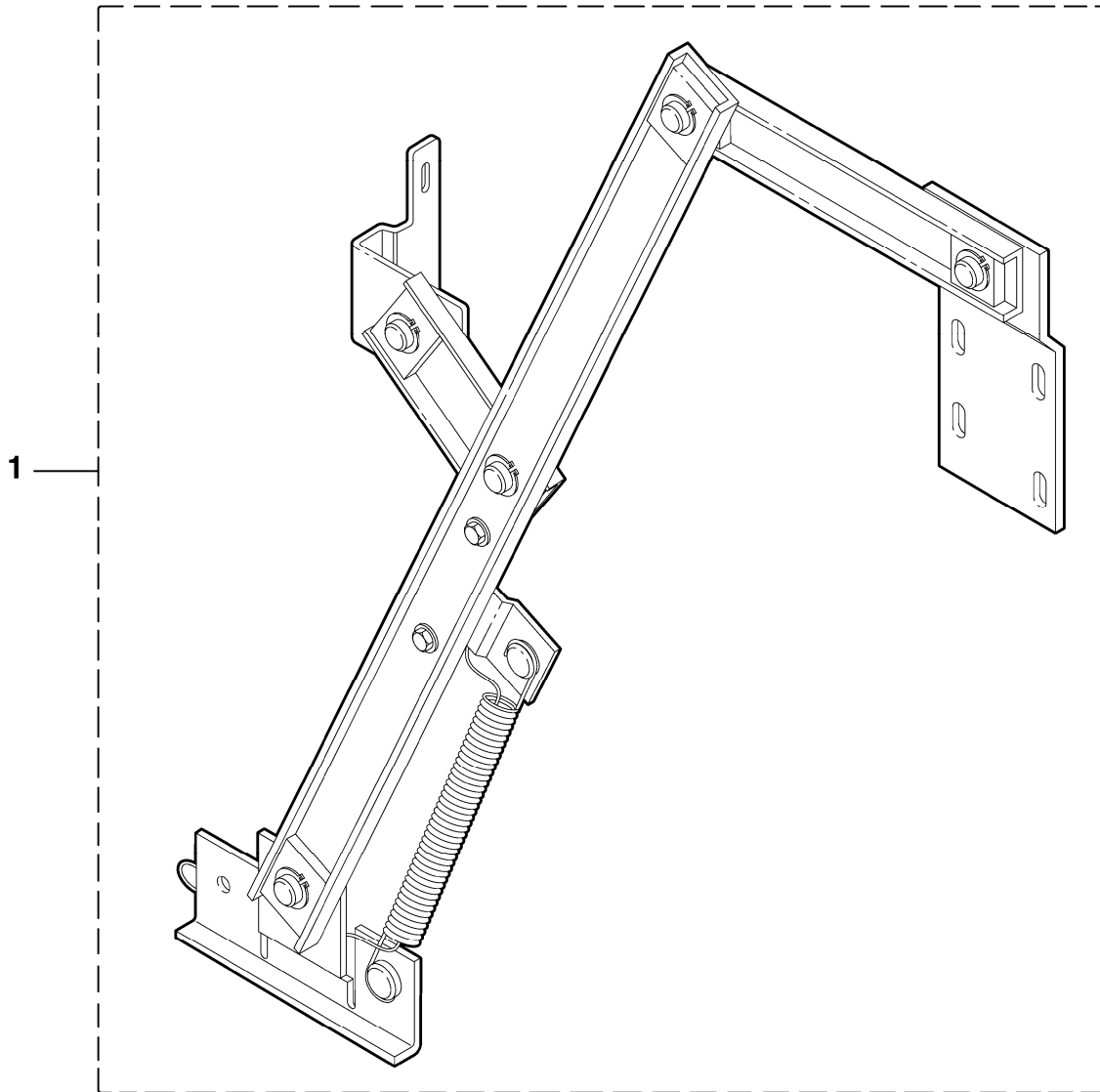
26-AAA6940BM




REF. No.	PART No.		DESCRIPTION	OPENING
	W/O VINTAGE	AAB6940BM		
1	AAA6940BM1	AAB6940BM1	Assembly, Spring Closer,  , Two-Speed Doors	1067 mm
	AAA6940BM2	AAB6940BM2		1219 mm
	AAA6940BM3	AAB6940BM3		1100 mm
	AAA6940BM4	AAB6940BM4		1200 mm

26-AAA6940BM

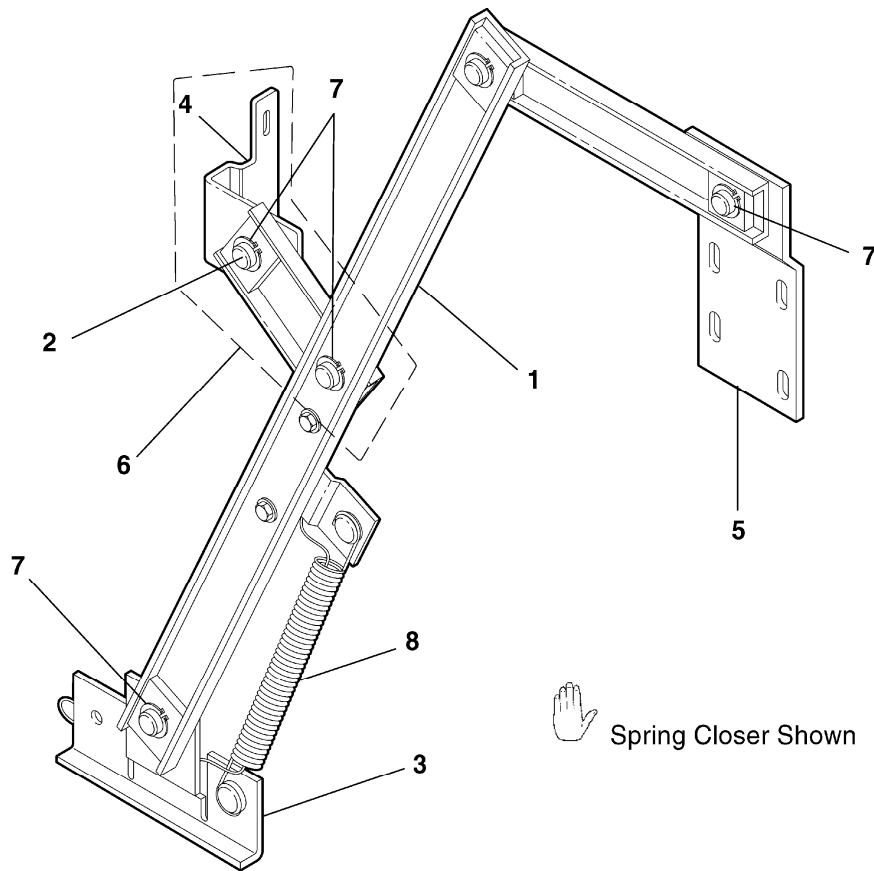
Type AAA6940BN Left Hand Spring Closer



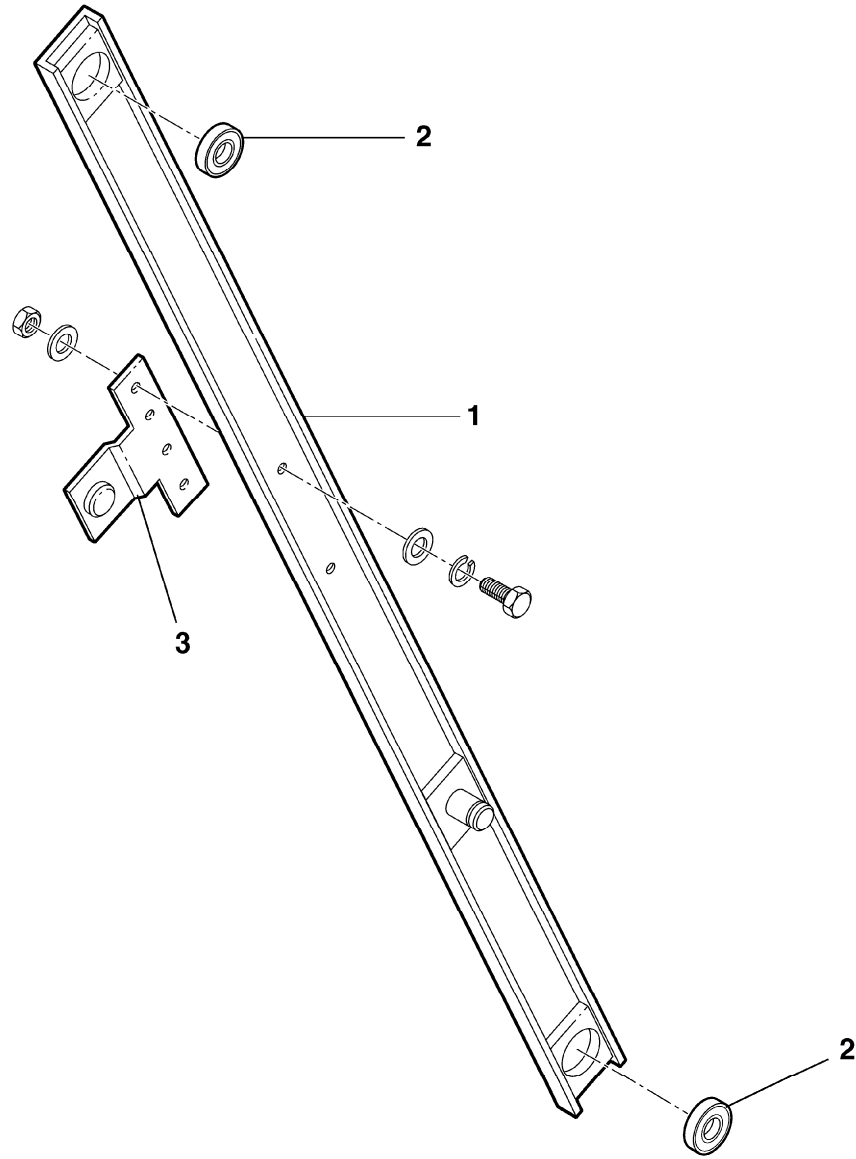
REF. No.	W/O VINTAGE	AAB6940BN	DESCRIPTION	OPENING
	PART No.			
1	AAA6940BN1	AAB6940BN1	Assembly, Spring Closer,  , Two-Speed Doors	1067 mm
	AAA6940BN2	AAB6940BN2		1219 mm
	AAA6940BN3	AAB6940BN3		1100 mm
	AAA6940BN4	AAB6940BN4		1200 mm

Closer Components

26-AAA6940BM



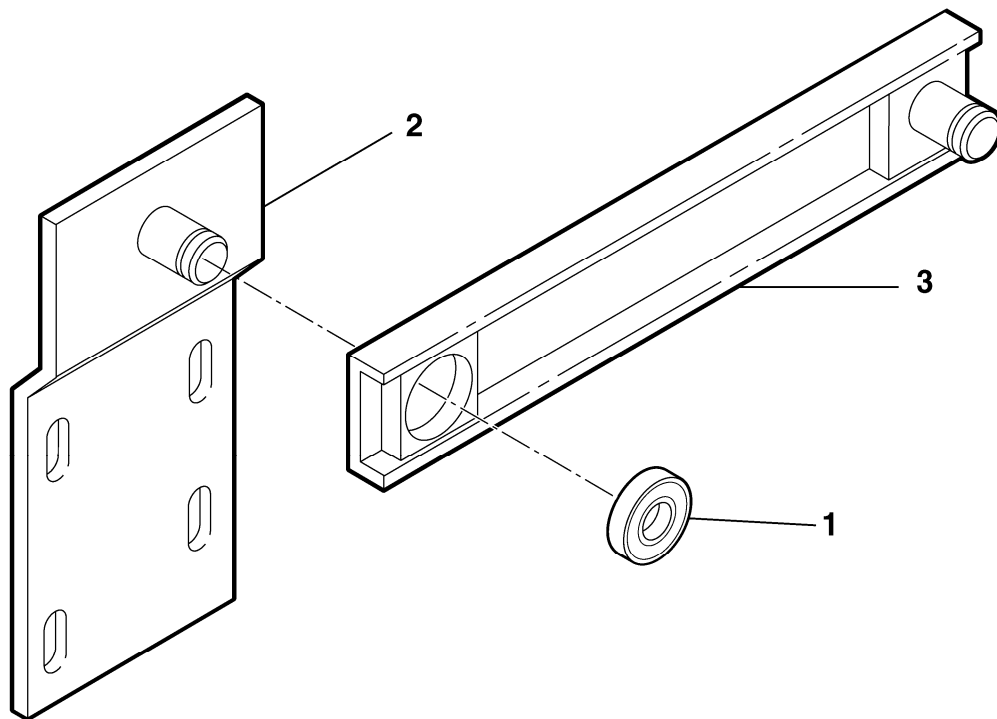
REF. No.	W/O VINTAGE		AAB6940BM AAB6940BN		DESCRIPTION	L (mm)
	PART No.					
1	---				Arm, Main, p. 6	---
2	207Z23				Bearing	---
3	YYJ0316BNM2				Bracket	---
	YYJ0316BNM3				Bracket	---
4	YYJ0316BNH2				Bracket	---
5	---				Link, Fast Door, p. 7	---
6	AAA430EW2	AAA430FN1			Link, Slow Door	219
	AAA430EW4	AAA430FN2				276
	AAA430EW6	AAA430FN3				231
	AAA430EW8	AAA430FN4				267
7	172PM10				Ring, Retaining	---
8	YYJ091AN1				Spring	---



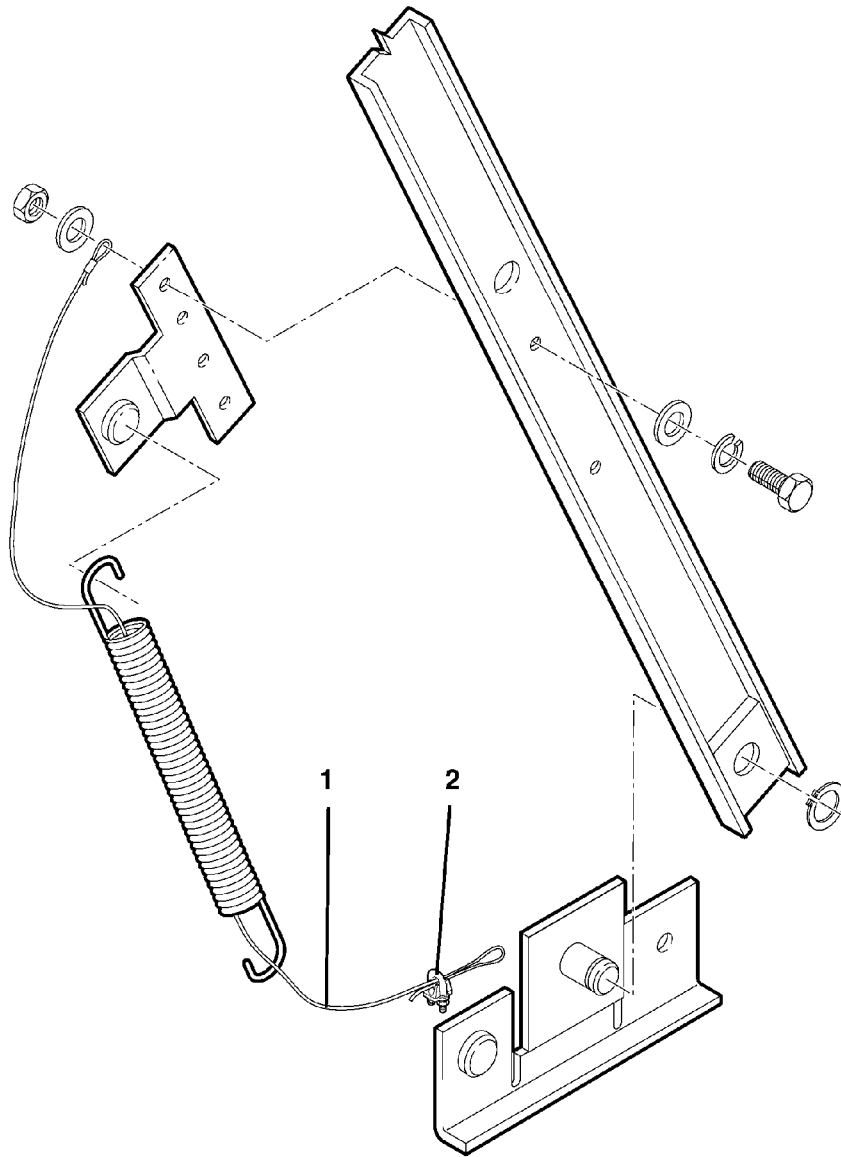
REF. No.	W/O VINTAGE	AAB6940BM AAB6940BN	DESCRIPTION	OPENING (mm)	L (mm)
	PART No.				
1	AAA288ZM2		Arm, Main	1067	1470
	AAA288ZM4			1219	1560
	AAA288ZM6			1100	1470
	AAA288ZM8			1200	1560
2	207Z23		Bearing	---	---
3	YYJ0316BNK2		Bracket, Spring	---	---

Fast Door Link

26-AAA6940BM



	W/O VINTAGE	AAB6940BM AAB6940BN		
REF. No.	PART No.		DESCRIPTION	L (mm)
1	207Z23		Bearing	---
2	AAA316FTY2		Bracket, Link	---
3	AAA430EV2		Link, Fast Door	257
	AAA430EV4			310
	AAA430EV6			333



REF. No.	W/O VINTAGE	PART No.	DESCRIPTION
		AAB6940BM AAB6940BN	
1		AAA712F2	Assembly, Aircord
2		AAA336LN1	Clamp, Cable