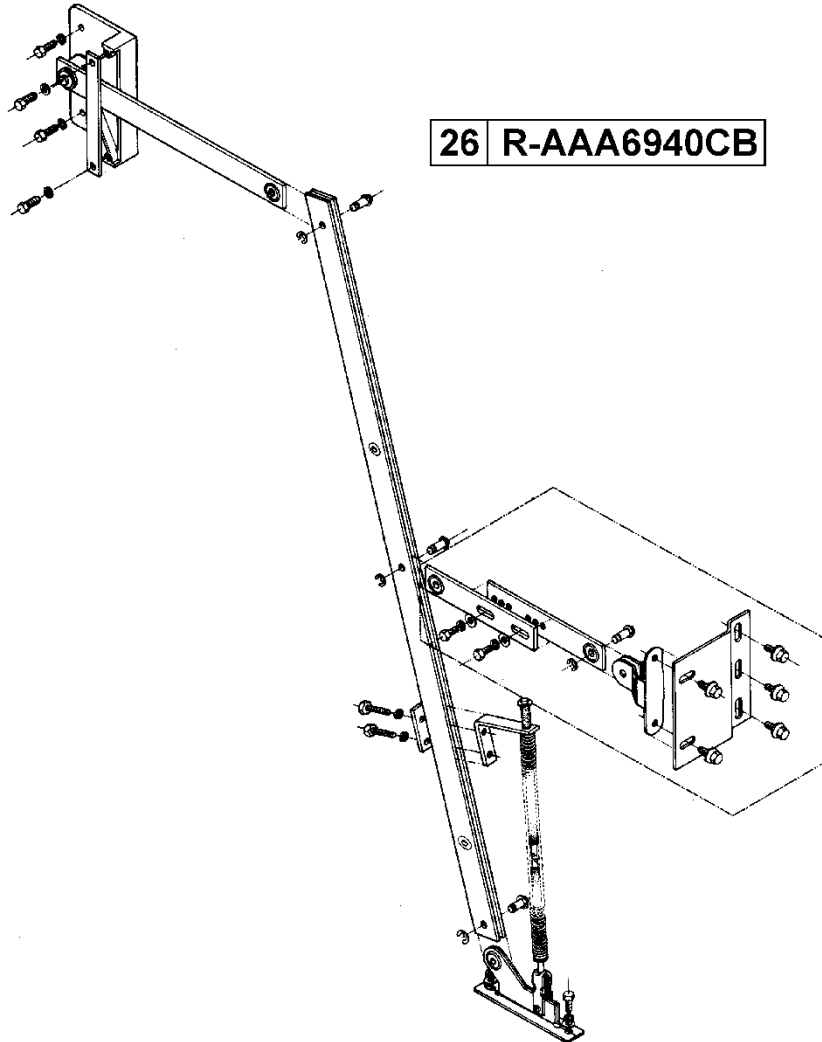


**Door Closer—  
Mod Track and Hanger  
Package**

**Spare Parts Leaflet**

**26-AAA6940CB**

**February 17, 2021 / Page 1 of 4**



**OTIS**

This document does not contain any  
technical data subject to EAR or ITAR

**SERVICE ENGINEERING  
Otis Elevator Company  
Bloomfield, Connecticut USA**

Unpublished Work—©Otis Elevator Co.; 2021

**Leaflet Description**

This leaflet provides spare parts information for sill mounted GAL type closers for two-speed side-slide door systems only. This closer was initially released for OSC Mod track and hanger packages. AAA6940CB1 through 7 are assembled as right-hand closers only. If left hand operation is desired, customer should purchase the corresponding right hand assembly and plan to reverse some of the components to accommodate left hand operation.

**Leaflet Revisions**

<b>Date Revised</b>	<b>Subject Matter Expert</b>	<b>Reason for Revision</b>
September 30, 2002	Jeff Smith	New SPL
October 8, 2002	Jeff Smith	Update Cover Title
February 17, 2021	Pete Kelley	Updated Ref. 2 on page 4

**Related Drawings**

<b>Drawing No.</b>	<b>Title</b>	<b>Drawing No.</b>	<b>Title</b>
AAA6940CB	GAL Door Closer		

**Related Documents**

<b>Document ID</b>	<b>Title</b>
25-AAA23100X	Otis Mod Track and Hanger Package—Hoistway Door C/O, S/S and 2spd

**Subject Matter Expert**

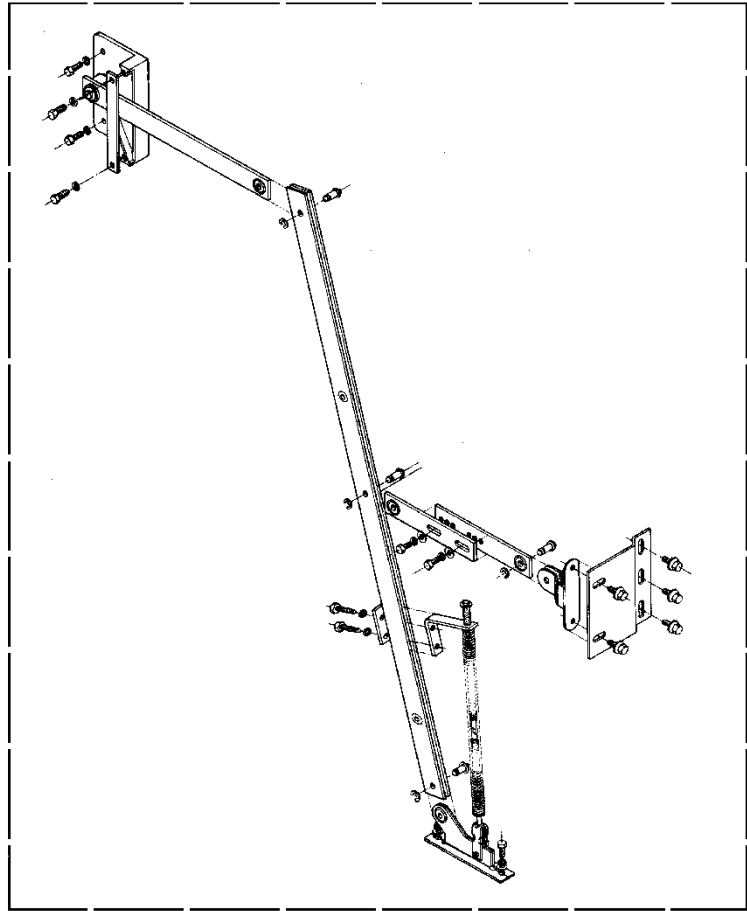
<b>Name</b>	<b>Department</b>
Pete Kelley	OSC Service Engineering

**About Spare Parts Leaflets...**

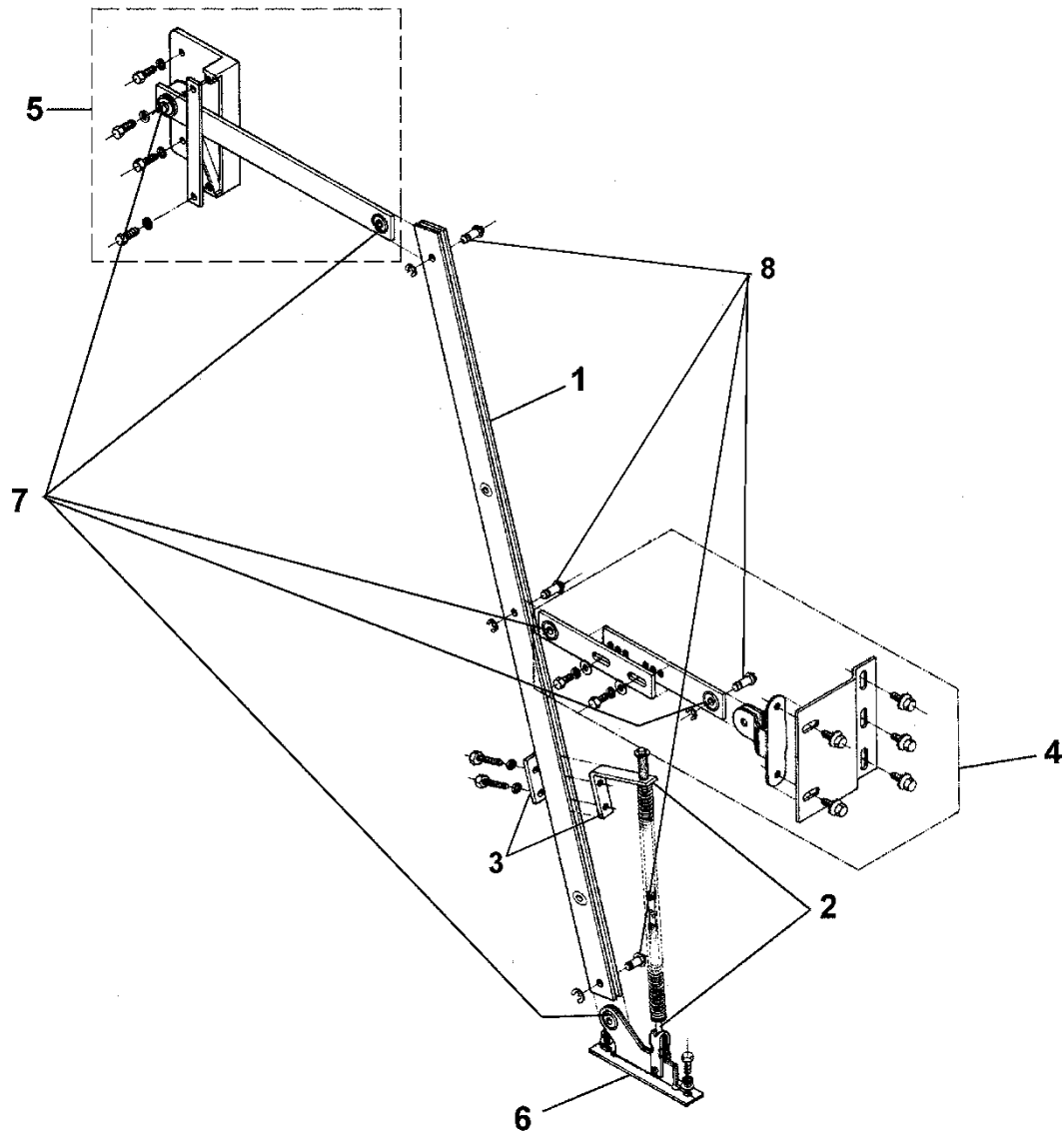
This document lists the lowest replaceable units (LRUs) for the standard version of the product. The LRUs are chosen by a team of Otis associates representing engineering and manufacturing.

While goal of this document is to make parts identification as easy as possible, the document cannot be all-inclusive. Elevator and escalator contracts classified as “special” or “custom” are not addressed here. For such contracts, please refer to specified information, the contract folder, TIPs, Field Education Articles, Construction Letters, etc. for further information.

If you have any suggestions about this document, please contact the subject matter expert listed on this page.



<b>AAA6940CB</b>				
<b>REF. No.</b>	<b>PART No.</b>	<b>DESCRIPTION</b>	<b>GAL CLOSER TYPE</b>	<b>OPENING SIZE (in.)</b>
1	AAA6940CB1	Closer, Door	Standard	28–35
	AAA6940CB2			36–40
	AAA6940CB3			41–44
	AAA6940CB4			45–48
	AAA6940CB5		Large	49–51
	AAA6940CB6			52–54
	AAA6940CB7			55–60



<b>AAA6940CB</b>		
<b>REF. No.</b>	<b>PART No.</b>	<b>DESCRIPTION</b>
1	AAA6940CB500	Arm
2	AAA6940CB508	Assembly, Spring and Spring Rod w/Yoke
3	AAA6940CB511	Assembly, Spring Guide
4	AAA6940CB503	Assembly, Slow Door Link and Bracket
5	AAA6940CB502	Assembly, Top Link and Door Bracket
6	AAA6940CB501	Base and Yoke
7	AAA6940CB513	Bearing
8	AAA6940CB512	Pin, w/E-Ring 3/8 in. x 11/18 in.