

Hoistway Door
Weight Closer

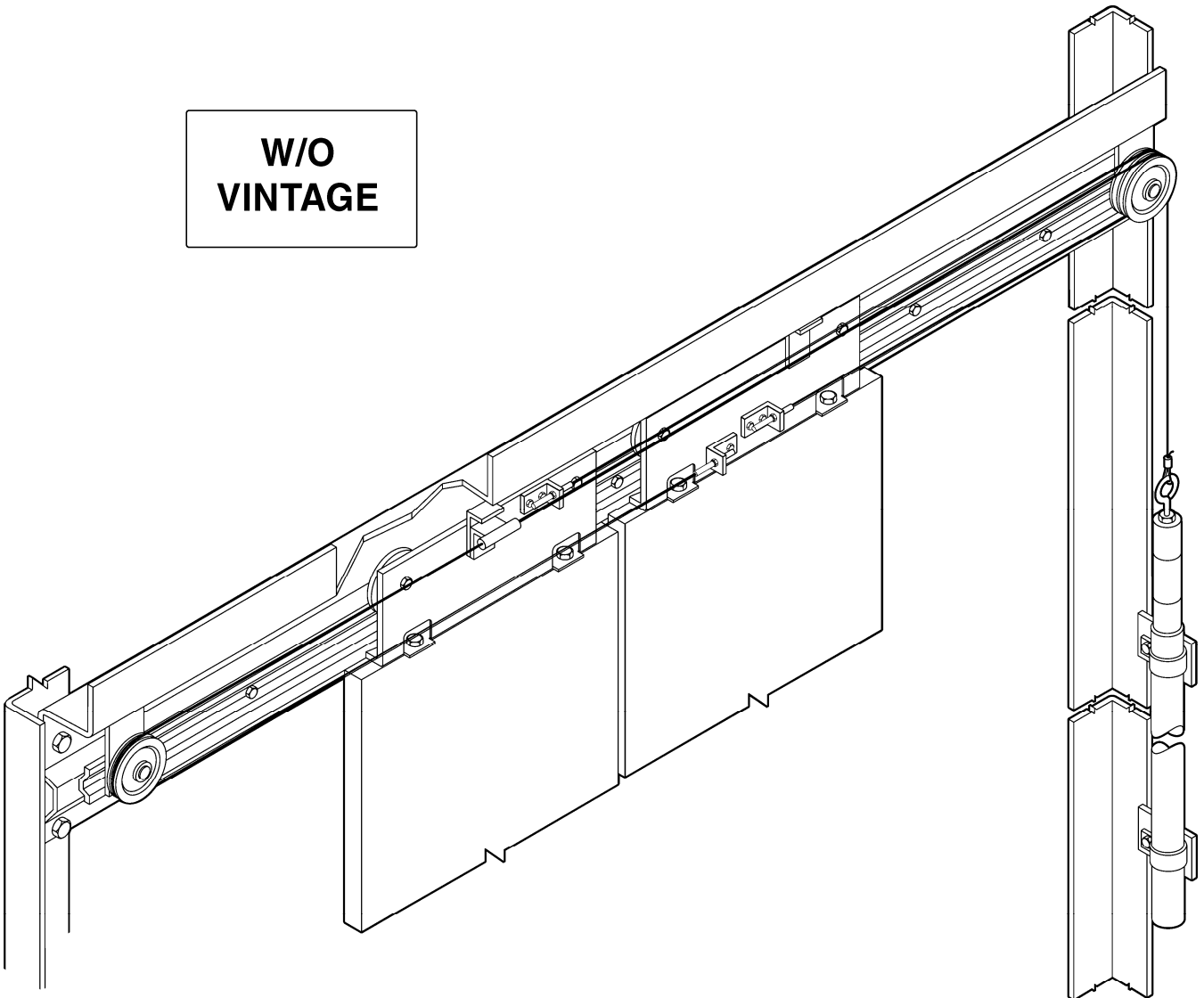
Spare Parts Leaflet

26-YXJO6940BL

October 1, 2000 / Page 1 of 6

Supersedes SPL 26-YXJO6940BL Dated January 1, 2000

W/O
VINTAGE



OTIS

Safety First!

SERVICE ENGINEERING

Otis Elevator Company
Bloomfield, Connecticut USA

History
26-YXJO6940BL
First Published: May 1988

Hoistway Door Weight Closer
--

REVISED DATE	RESPONSIBLE ENGINEER	PRIMARY REASON FOR REVISION
May, 1988	- - -	New leaflet, initial release.
January, 1997	Blair Cohen	Update parts & artwork.
January 1, 2000	Duane Stupienski	Add parts & artwork. Include history page.
October 1, 2000	Duane Stupienski	Add page to cover AAA6940BR parts. Update history page.

Leaflet Description

This leaflet provides spare parts information for type YXJO6940BL weight closer as well as center-opening & single-slide hoistway door system components for QL & OVL-HPM operator-driven hoistway door systems. This information covers installations prior to May 1997. Subsequent designs are covered by SPLs 26-AAA23402L and 26-6331BR.

RELATED LEAFLET NUMBERS	TITLES
25-YXJO6331CL/CN/CV	Hoistway Door System
26-AAA23402L	Door Weight Closer
25-AAA24479AAA	Door Guides
26-6331BR	Hoistway Door Closer for QL and OVL-HPM Door Operator Systems

DRAWING REFERENCES	
AYXJO6940BL	B,A,6331BR
YXJO6331CN	B,A,6331BS
YXJO6331CV	AAA6331CB
AAA6940BR	

RELATED DOCUMENT NUMBERS	TITLES
- - -	- - -

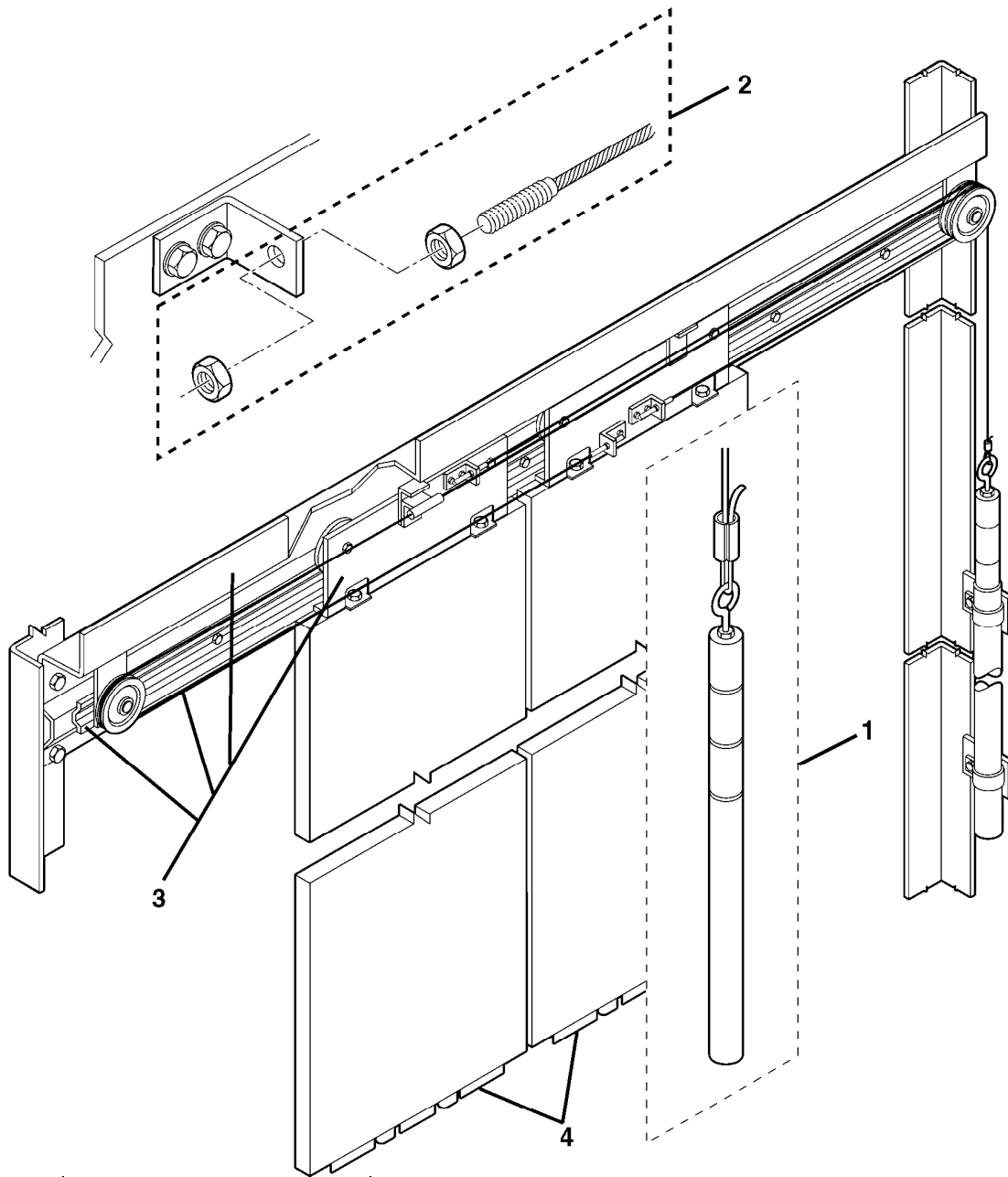
This Spare Parts Leaflet (SPL) is prepared to assist you in determining the Lowest Replaceable Units (LRU) supported by the Otis Service Center for the standard version of the product titled on the preceding page. The parts are chosen by Otis associates from: Engineering, Field Engineering, Service Engineering, and Manufacturing. We attempt to make part identification as easy as possible. The SPL, however, cannot be all inclusive. Elevator and escalator contracts classified as either "special" or "custom" are not addressed. Alternative sources of information such as: the Contract Folder, Technical Information Publications, Field Education Articles, Construction Letters, etc. may give the information you are after. You live in the real world of maintaining your elevator and escalator contracts. On a daily basis, situations arise regarding parts identification and at times, for some reason, the part you need is not in the SPL. If you think a standard part not listed should be—let us know. We will respond.




--

Duane Stupienski—OSC Service Engineering

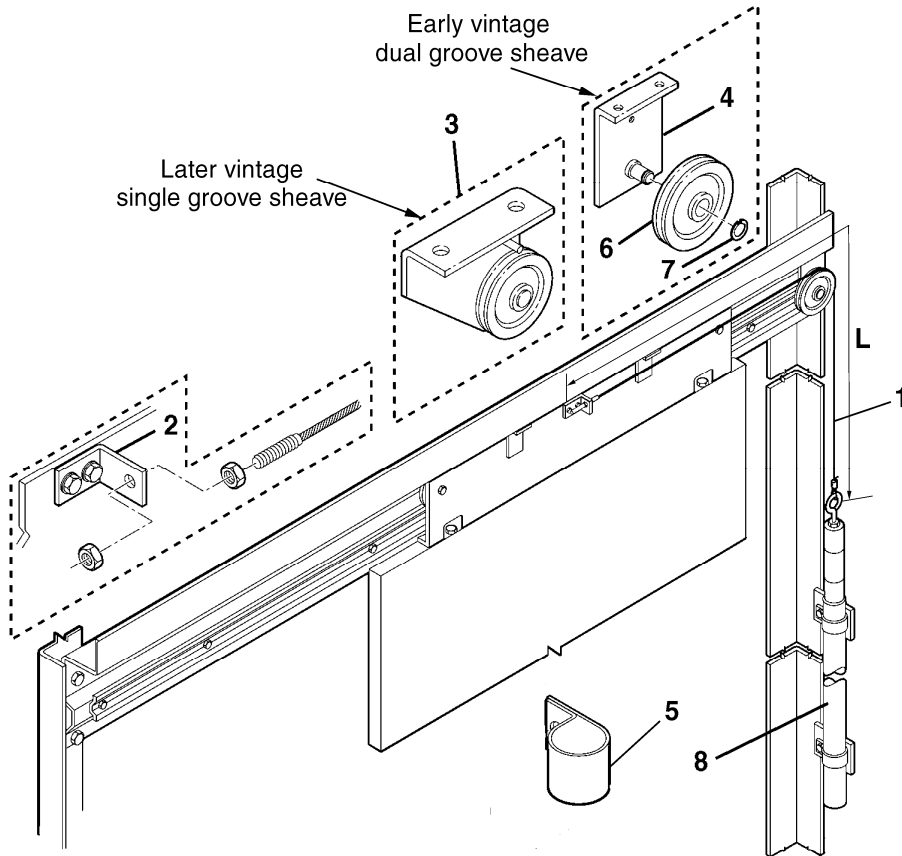
Type YXJO6940BL Weight Closer

26-YXJO6940BL



W/O VINTAGE				
REF. NO.	PART or ML	DESCRIPTION	L (in.)	DOOR TYPE
1	AYXJO6940BL1	Assembly, Weight Closer	---	Center-Opening
	AYXJO6940BL2		---	Single-Slide
2	2700CAH1	Kit, Closer Aircord Assembly w/(2) M8 Nuts	82.00	Single-Slide
	2700CAH2		99.00	Center-Opening
3	---	Door Hangers, Aircord Drive, Tracks, Rollers, etc.	 SPL 25-YXJO6331CL/CN/CV	
4	---	Door Guides	 SPL 25-AAA24479AAA	

Single-Slide Hoistway Door System: Closer Components

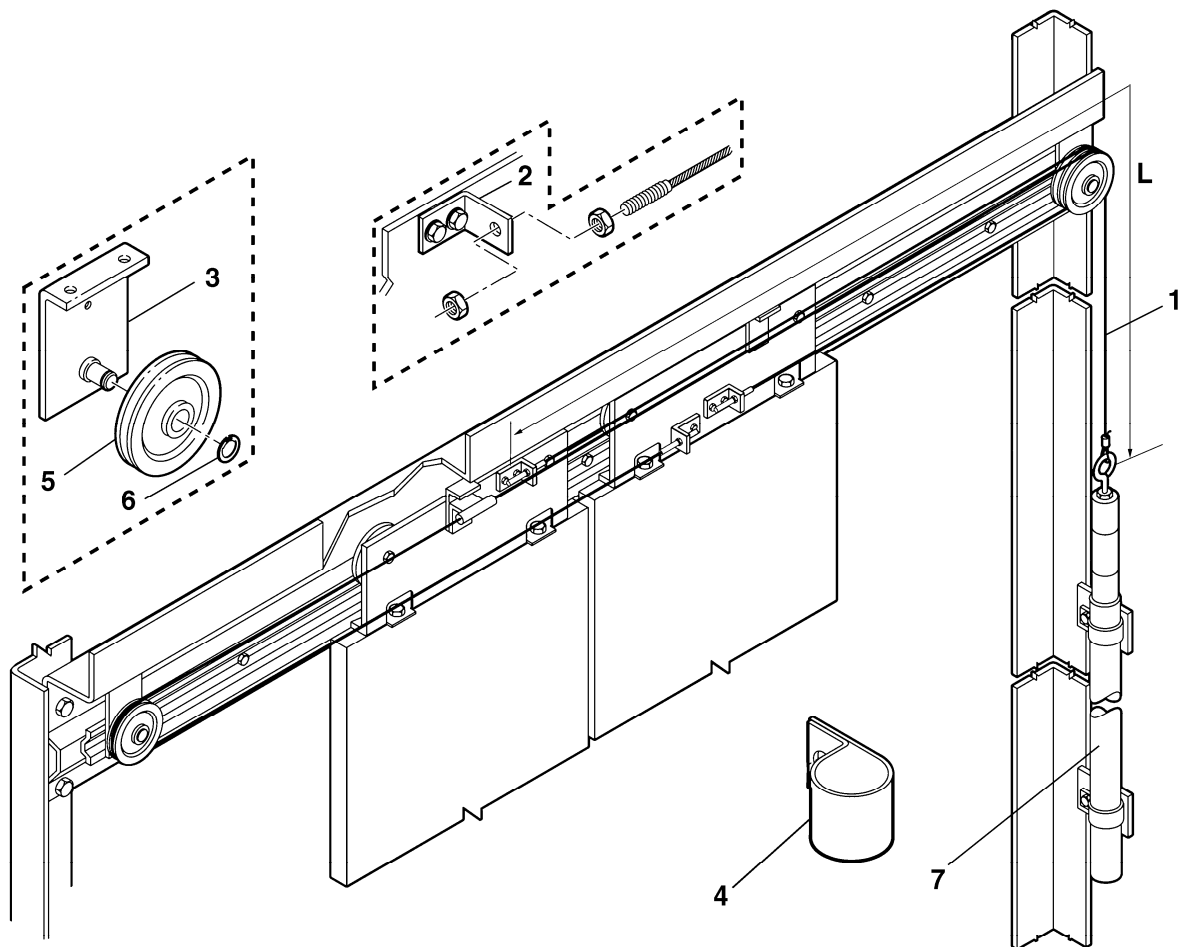


W/O VINTAGE B, A, YXJ06331CN		
REF. NO.	PART or ML	DESCRIPTION
1	YYYJO174AA1	Aircord, L = 1913 mm (w/threaded stud termination)
	YYYJO174AA999-*	Aircord, Weight Closer (w/threaded stud termination), Note
2	283ADA1	Angle, Formed (for closer cable hitch)
3	AAA316FHG5	Assembly, Aircord Sheave, Single Groove
	AAA316FHG6	Assembly, Aircord Sheave, Single Groove
4	YXJO316BMK2	Bracket
5	336KN1	Clamp, Pipe
6	YYJO265AB1	Pulley, 140 mm, Dual Groove
7	172PM9	Ring, Retaining
8	137AM4	Tubing, PVC

NOTE: For contract length, order OSC p/n AYYJO174AA999-(length in inches.)

Center-Opening Hoistway Door System Closer Components

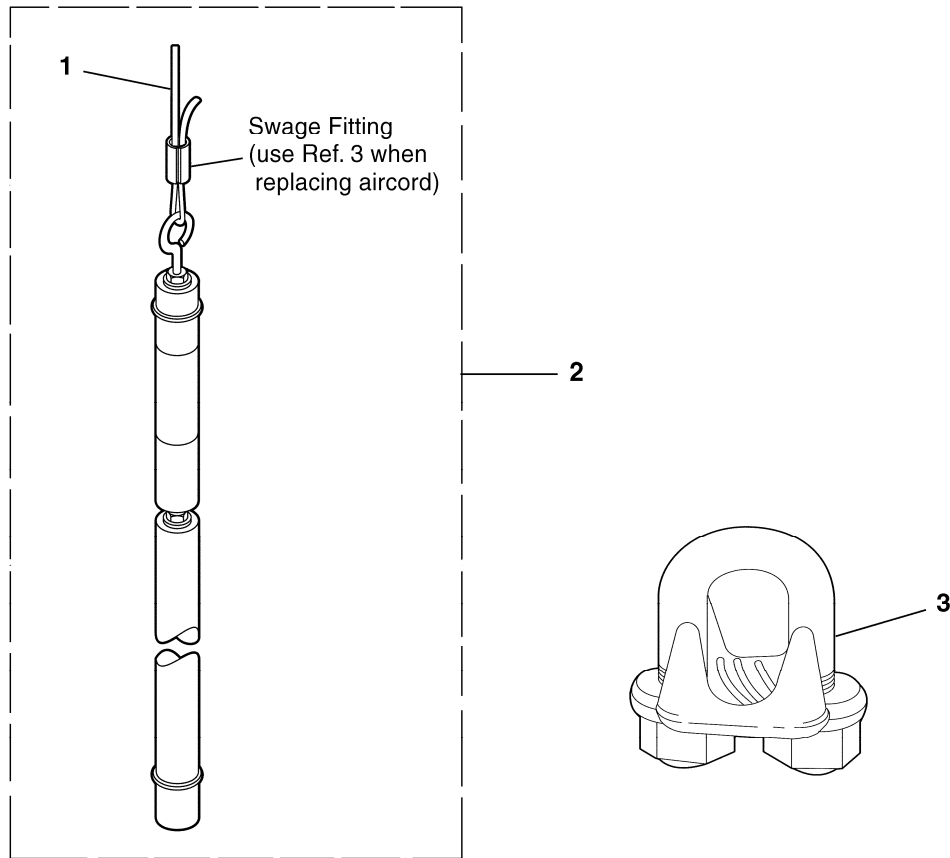
26-YXJO6940BL



REF. NO.	W/O VINTAGE B, A, YXJ06331CV	
	PART or ML	DESCRIPTION
1	AYYJO174AA6	Aircord, for Weight Closer, L = 2615 mm
	AYYJO174AA999-*	Aircord, Weight Closer (w/threaded stud termination), 👁 Note on p. 4
2	283ADA1	Angle, Formed
3	YXJO316BMK2	Bracket
4	336KN1	Clamp, Pipe
5	YYJO265AB1	Pulley, ⌀ 140 mm, Dual Groove
6	172PM9	Ring, Retaining
7	137AM3	Tubing, PVC

26-YXJO6940BL

Type AAA6940BR Weight Closer for Center-Opening, Single-Slide, & Two-Speed QL & OVL-HPM Applications



W/O VINTAGE

REF. NO.	PART or ML	DESCRIPTION	OPENING TYPE	ORDER:
1	174AS995	Aircord, Weight Closer, w/No Studs on Ends of Aircord, Order per Foot Based on Site Specifications	Two-Speed	9 ft. for 914–1397 mm Openings
			Single-Slide	12 ft. for 813–1067 mm Openings
			Center-Opening	14 ft. for 914–1219 mm Openings
				15 ft. for 1219–1524 mm Openings
2	---	Assembly, Weight Closer, Type AAA6940BR, SPL 26-6331BR		
3	336JW1	Clamp, 1/8 Rope		

NOTE 1: Prior to 1995, weight closers were not used on two-speed systems. Type AAA6940BR was only used between September of 1995 and May of 1997. For subsequent closers SPL 26-AAA23402L.

NOTE 2: For door hanger mounted closer hitch parts, refer to AAA6331CB applications in SPL 26-6331BR