

# 6940BA Interlock Assembly

**Spare Parts Leaflet**  
**27-6940BA**

August 10, 2006 / Page 1 of 3

**Supersedes SPL 27-6940BA Dated June 1997**

**History:** GAL MOIO Interlock used on 7777A (screw) Door Operator LRV2 Installation circa 1981.

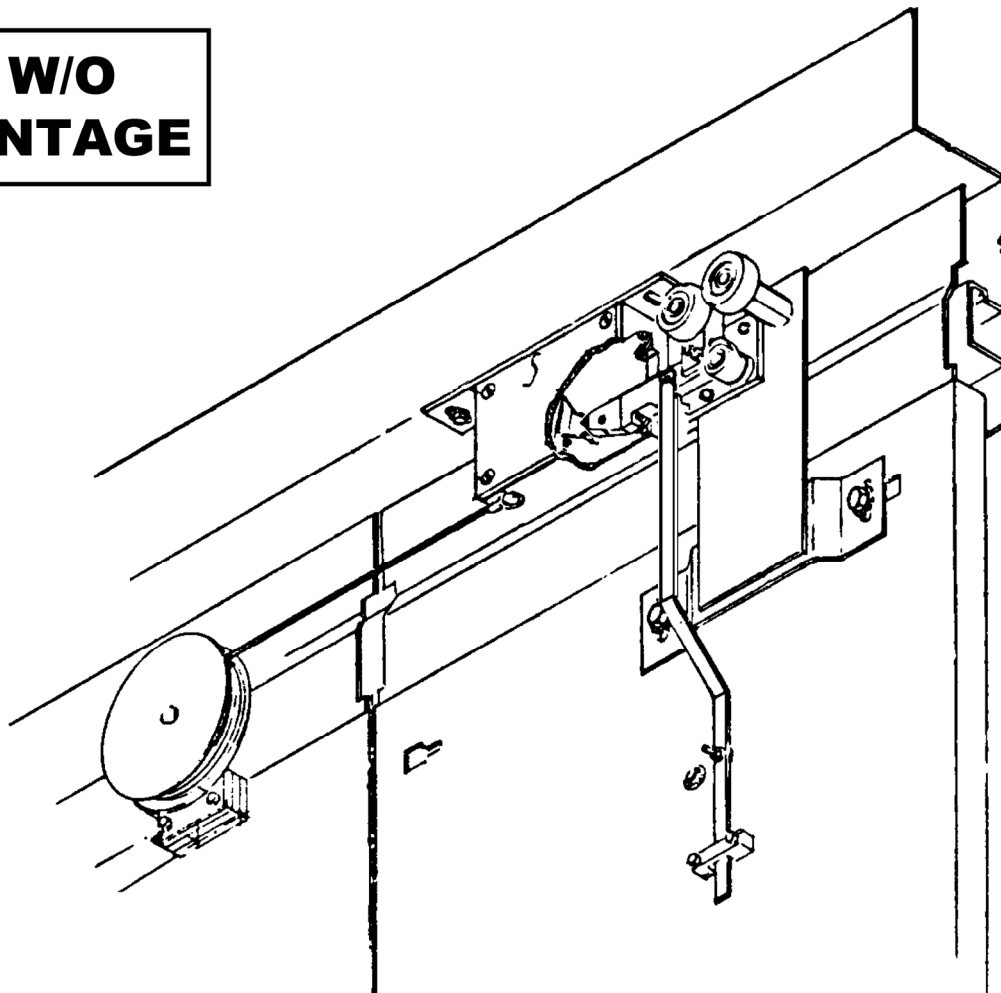
M.L. 6940BA1 Complete Assy. w/Wheel Closer, w/o Emergency Unlocking Device

M.L. 6940BA2 Complete Assy. w/Emergency Unlocking Device/Wheel Closer

M.L. 6940BB1 Door Lock & Switch Assy. w/o Emergency Unlocking Device

M.L. 6940BB2 Door Lock & Switch Assy. w/Emergency Unlocking Device

**W/O  
VINTAGE**



**OTIS**

**Safety First!**

**SERVICE ENGINEERING**  
Otis Elevator Company  
Bloomfield, Connecticut USA

**Leaflet Description**

GAL MOIO Interlock used on 7777A (screw) door operator LRV2 installation circa 1981.

**Leaflet Revisions**

<b>Date Revised</b>	<b>Subject Matter Expert</b>	<b>Reason for Revision</b>
June 1988	---	New Leaflet (C-1009F)
June 1997	---	Supersedes C-1009F in part. Updated parts information.
August 10, 2006	Diem Tran	Corrected parts information

**Related Drawings**

<b>Drawing No.</b>	<b>Title</b>	<b>Drawing No.</b>	<b>Title</b>
6940BA	Hoistway Entrance (GAL. MOIO Interlock)	---	---
---	---	---	---

**Related Documents**

<b>Document ID</b>	<b>Title</b>
---	---
---	---

**Subject Matter Expert**

<b>Name</b>	<b>Department</b>
Diem Tran	OSC Service Engineering

**About Spare Parts Leaflets...**

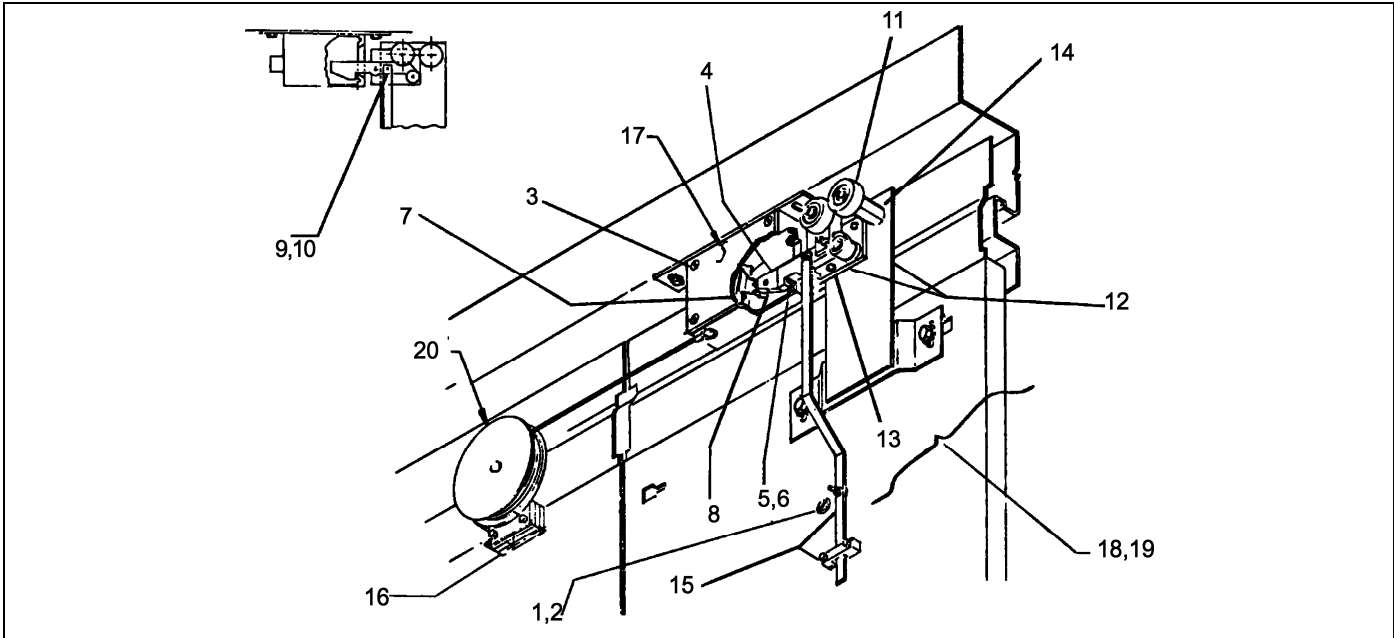
This document lists the lowest replaceable units (LRUs) for the standard version of the product. The LRUs are chosen by a team of Otis associates representing engineering and manufacturing.




While goal of this document is to make parts identification as easy as possible, the document cannot be all-inclusive. Elevator and escalator contracts classified as "special" or "custom" are not addressed here. For such contracts, please refer to specified information, the contract folder, TIPs, Field Education Articles, Construction Letters, etc. for further information.

If you have any suggestions about this document, please contact the subject matter expert listed on this page.

# Type 6940BA Interlock Assembly

**27-6940BA**



REF. No.	PART No.	DESCRIPTION
1	321CV3	Bushing
2	340BJ2	Collar
3	---	Cover and Screws
4	VP-782004 GALCINT1H-0036R	GAL Kit MOKTRH 15, Consists of ref. 7 and 8
5	---	Keeper Number
6	---	Keeper Stem Bumper
7	---	MO Contact Base & Insulator
8	---	MO Keeper Bridging Block
9	---	MO Link Nyliner Bushing
10	---	MO Link Snap Pin
11	456ES1	MO Roller & Shaft
12	VP-782025	MO-IO Keeper Release Assembly,  , w/ Mounting Plate, Consist of Ref. 13 & 14
13	VP-782023	MO-IO Keeper Release Assembly,  , Consists of Ref. 5 & 6, 8-10, 15
14	VP-782024	MO-IO Keeper Release Mounting Plate Only w/Roller, 
15	---	MO-IO Link & Guide
16	299HC2	Spacer
17	VP-782022 GALCINT-1-1	Type MO Switch Assembly, Includes Ref. 3 & 7
18	6940BB1	Type MO Switch Assembly, Complete w/o Link & Guide
19	6940BB2	Type MO Switch Assembly, Complete w/o Link & Guide
20	WHEEL CLOSER W/BRKT	Wheel Closer, GAL